

REVISIONS				
REV.	ECO. NO	DESCRIPTION	DATE	BY
A	1682	INITIAL RELEASE	5/12/2008	VJ
B	1682	UPDATE DIM 'C', TABLE, NOTE 3 & TOLERANCE BLOCK	11/12/2008	JH

# PART NUMBER CODING

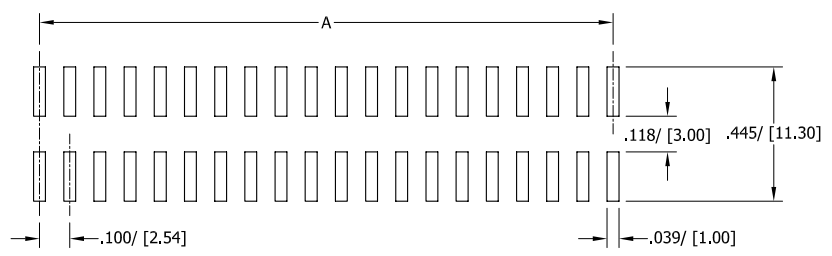
SBH11 - NBPC - D \_\_\_ - SM - \_\_\_

**NUMBER OF POSITIONS**  
(CONTACTS PER ROW)

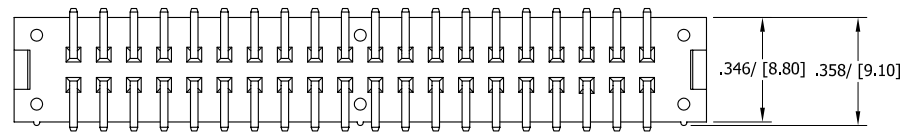
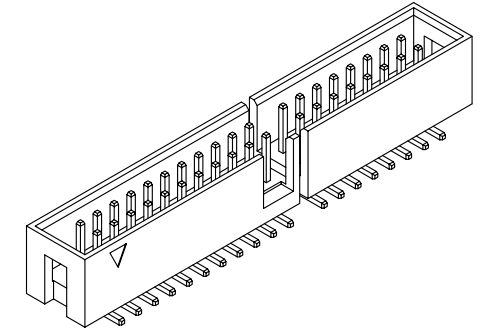
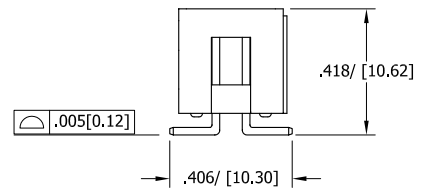
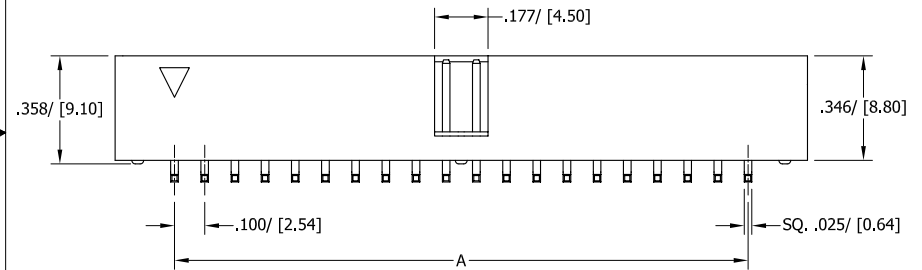
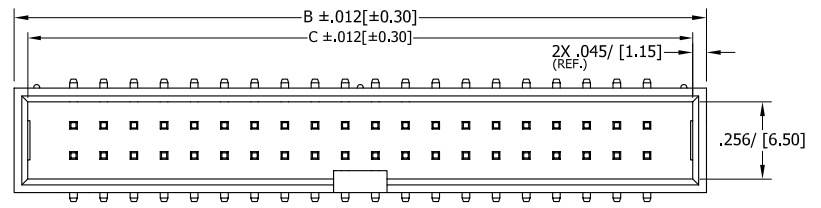
**TERMINATION**  
SURFACE MOUNT

**COLOR**

- BK = BLACK
- YE = YELLOW
- RE = RED
- BL = BLUE
- GR = GREEN
- GY = GREY
- WH = WHITE
- OR = ORANGE



RECOMMENDED PCB LAYOUT



PART NUMBER	POSITIONS/ CONTACTS	A		B		C	
		INCH	MM	INCH	MM	INCH	MM
SBH11-NBPC-D03-SM-__	03/06	0.200	5.08	0.595	15.12	0.505	12.82
SBH11-NBPC-D04-SM-__	04/08	0.300	7.62	0.695	17.66	0.605	15.36
SBH11-NBPC-D05-SM-__	05/10	0.400	10.16	0.795	20.20	0.705	17.90
SBH11-NBPC-D06-SM-__	06/12	0.500	12.70	0.895	22.74	0.805	20.44
SBH11-NBPC-D07-SM-__	07/14	0.600	15.24	0.995	25.28	0.905	22.98
SBH11-NBPC-D08-SM-__	08/16	0.700	17.78	1.095	27.82	1.005	25.52
SBH11-NBPC-D10-SM-__	10/20	0.900	22.86	1.295	32.90	1.205	30.60
SBH11-NBPC-D12-SM-__	12/24	1.100	27.94	1.495	37.98	1.405	35.68
SBH11-NBPC-D13-SM-__	13/26	1.200	30.48	1.595	40.52	1.505	38.22
SBH11-NBPC-D15-SM-__	15/30	1.400	35.56	1.795	45.60	1.705	43.30
SBH11-NBPC-D17-SM-__	17/34	1.600	40.64	1.995	50.68	1.905	48.38
SBH11-NBPC-D20-SM-__	20/40	1.900	48.26	2.295	58.30	2.205	56.00
SBH11-NBPC-D22-SM-__	22/44	2.100	53.34	2.495	63.38	2.405	61.08
SBH11-NBPC-D25-SM-__	25/50	2.400	60.96	2.795	71.00	2.705	68.70
SBH11-NBPC-D30-SM-__	30/60	2.900	73.66	3.295	83.70	3.205	81.40
SBH11-NBPC-D32-SM-__	32/64	3.100	78.74	3.495	88.78	3.405	86.48

**NOTES:**

1. INSULATOR MATERIAL: NYLON 6T.
2. CONTACT MATERIAL: BRASS.
3. PLATING: GOLD FLASH OVERALL.
4. OPERATING TEMPERATURE: -40°C ~ 105°C.
5. PROCESSING TEMP: 230°C FOR 60 SECONDS MAX.  
(260°C, 10 SEC.)
6. UL FLAMMABILITY RATING: 94V-0.
7. VOLTAGE RATING: 20m OHMS MAX.
8. CURRENT RATING: 3 AMP PER CONTACT.
9. VOLTAGE DROP: AC 500 V.
10. INSULATION RESISTANCE: 1000 MEGA OHMS.



RoHS COMPLIANT

UNLESS OTHERWISE SPECIFIED:  
DIMENSIONS ARE IN INCHES[MM]  
TOLERANCES:  
ANGULAR: ± 1°  
.XX = ±.012 [0.30]  
.XXX = ±.008 [0.20]  
.XXXX = ±.004 [0.10]  
PARENTHESES INFORMATION IS FOR REFERENCE ONLY  
INTERPRET DIMENSIONS AND GEOMETRIC TOLERANCING PER: ANSI Y14.5-1984

DRAWN	V. JARA	DATE	5/12/2008
THE INFORMATION HEREIN CONTAINS PROPRIETARY INFORMATION OF SULLINS ELECTRONICS AND IS NOT TO BE REPRODUCED, USED OR DISCLOSED TO OTHERS FOR ANY PURPOSE EXCEPT AS SPECIFICALLY AUTHORIZED IN WRITING BY AN OFFICER OF SULLINS ELECTRONICS.			
DESCRIPTION		BOX HEADER, .100[2.54] CC/RS	
PART NUMBER		SBH11-NBPC-D___-SM-___	
SIZE	DWG. NO.	REV	B
C	11093		
SCALE: NONE		SHEET 1 OF 1	

