

NOTES:

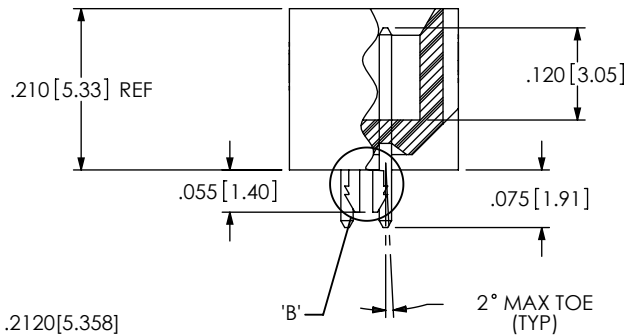
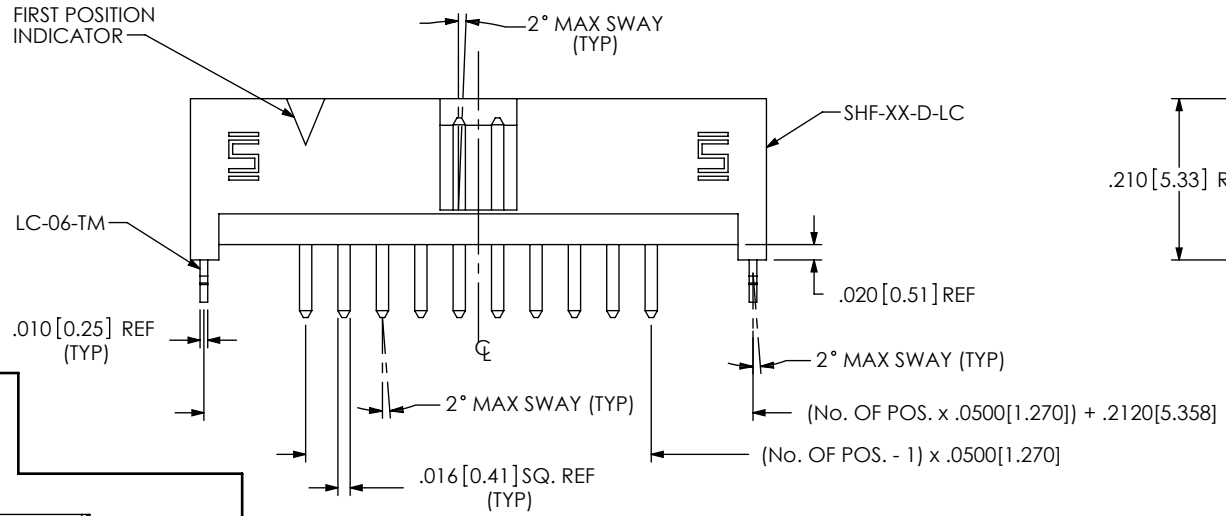
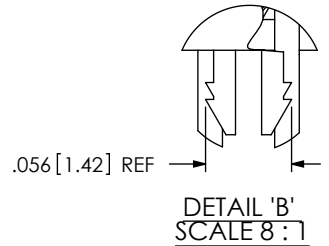
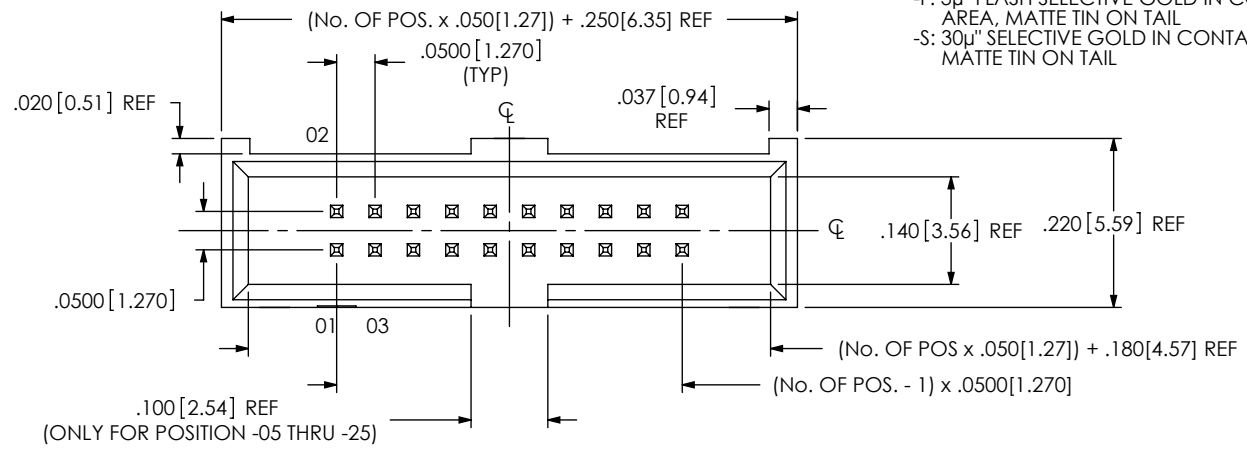
1. Ⓞ REPRESENTS A CRITICAL DIMENSION.
2. MINIMUM PUSHOUT FORCE: 1 LB[4.45N].
3. MAXIMUM ALLOWABLE BOW: .002[.05] INCH/INCH AFTER ASSEMBLY.
4. POST HEIGHT VARIATION BETWEEN ANY TWO PINS: .005[.13].
5. FOR ALL PINS: NO BAND MARKS ALLOWED IN POST AREA.
6. FOR LOCKING CLIPS: .75LB[3.336N] MIN RETENTION.
7. MEASURE AT BEND.
8. MAX PIN ROTATION IN BODY TO BE 2°.

DO NOT SCALE FROM THIS PRINT

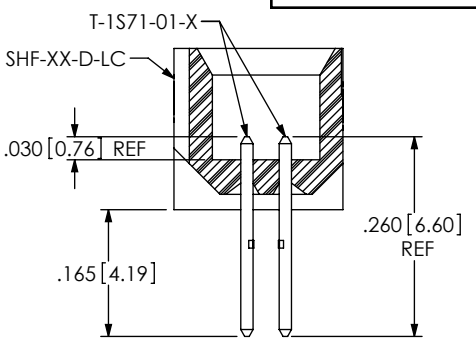
SHF-1XX-01-X-D-XX-XX

- No OF POSITIONS  
-02 THRU -25
- LEAD STYLE  
-01:
- PLATING SPECIFICATION  
-L: 10μ" LIGHT SELECTIVE IN CONTACT AREA, MATTE TIN ON TAIL  
-F: 3μ" FLASH SELECTIVE GOLD IN CONTACT AREA, MATTE TIN ON TAIL  
-S: 30μ" SELECTIVE GOLD IN CONTACT AREA, MATTE TIN ON TAIL
- OPTION  
-LC: LOCKING CLIP (NOT AVAILABLE WITH -RA)  
-K: POLYIMIDE FILM (-SM ONLY) (AVAILABLE IN TAPE & REEL ONLY)  
-TR: TAPE & REEL
- BODY HEIGHT  
-TH: THROUGH HOLE (SEE FIG 1, SHT. 1)  
-RA: RIGHT ANGLE (SEE FIG 2, SHT. 2)  
-SM: SURFACE MOUNT (SEE FIG 3, SHT. 3)
- ROW SPECIFICATION  
-D: DOUBLE

FIG 1  
(SHF-110-01-X-D-TH-LC SHOWN)

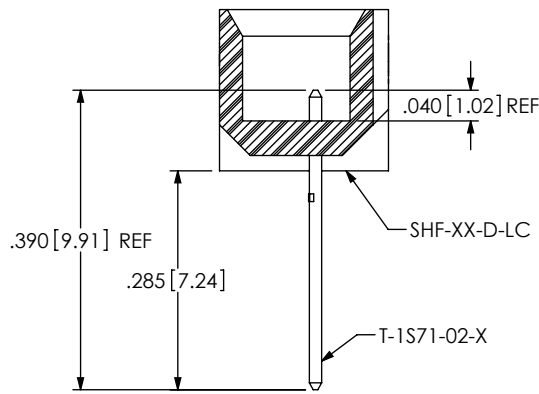


IN-PROCESS 1  
(FOR -TH ONLY)

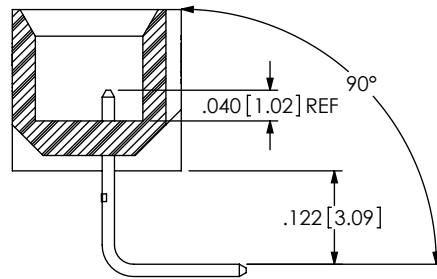


F:\DWG\MISC\MKTG\SHF-1XX-01-X-D-XX-XX-MKT.SLDDRW

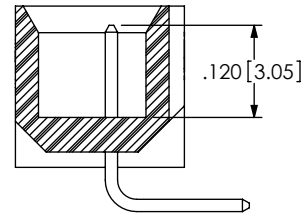
<p>UNLESS OTHERWISE SPECIFIED, DIMENSIONS ARE IN INCHES. TOLERANCES ARE:</p> <p>DECIMALS ANGLES</p> <p>.XX: ±.01 [0.3] 2°</p> <p>.XXX: ±.005 [0.13]</p> <p>.XXXX: ±.0020 [0.051]</p>	<p>PROPRIETARY NOTE</p> <p>THIS DOCUMENT CONTAINS INFORMATION CONFIDENTIAL AND PROPRIETARY TO SAMTEC, INC. AND SHALL NOT BE REPRODUCED OR TRANSFERRED TO OTHER DOCUMENTS OR DISCLOSED TO OTHERS OR USED FOR ANY PURPOSE OTHER THAN THAT WHICH IT WAS OBTAINED WITHOUT THE EXPRESSED WRITTEN CONSENT OF SAMTEC, INC.</p>	<p><b>samtec</b></p> <p>520 PARK EAST BLVD. NEW ALBANY, IN 47150 PHONE: 812-944-6733 FAX: 812-948-5047 e-Mail: info@SAMTEC.com code 55322</p>
<p>BY: T NEWTON 1/10/2008</p>		<p>SHEET 1 OF 4</p>



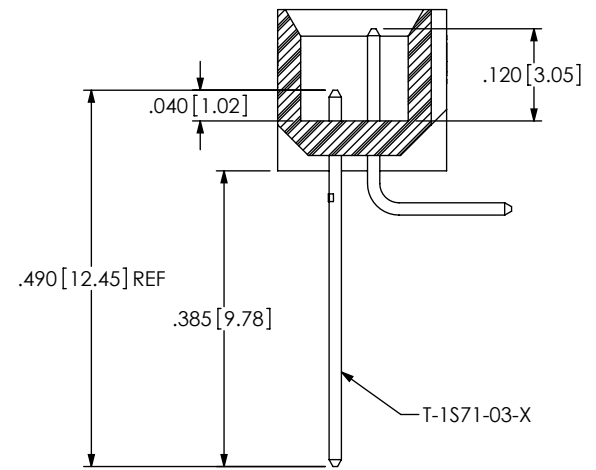
IN-PROCESS 1  
(FOR -RA ONLY)



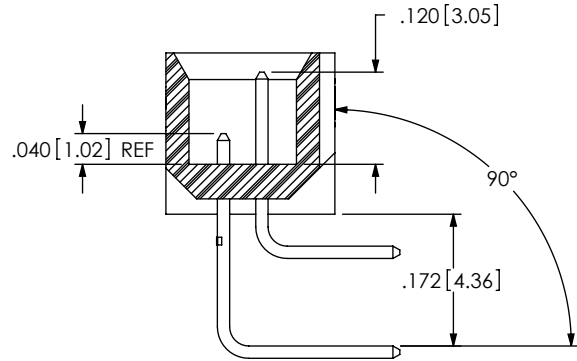
IN-PROCESS 2  
(FOR -RA ONLY)



IN-PROCESS 3  
(FOR -RA ONLY)

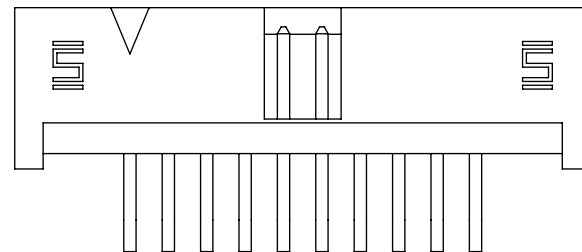
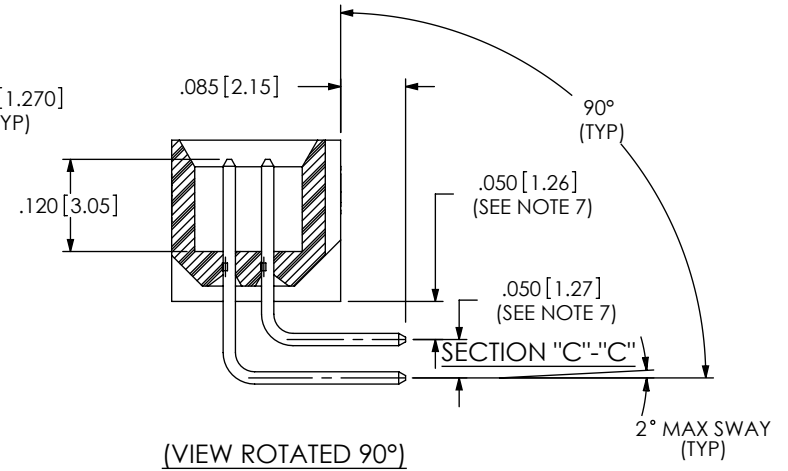
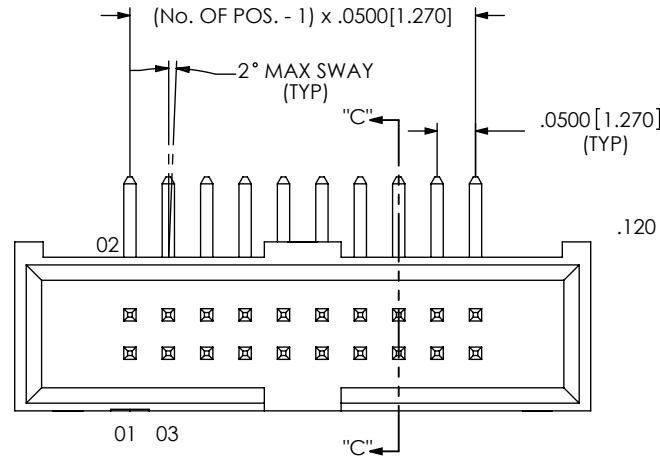


IN-PROCESS 4  
(FOR -RA ONLY)



IN-PROCESS 5  
(FOR -RA ONLY)

FIG 2  
(SHF-110-01-X-D-RA SHOWN)  
(SAME AS FIG 1, DIFFERENT AS SHOWN)



F:\DWG\MISC\MKTG\SHF-1XX-01-X-D-XX-XX-MKT.SLDDRW

PROPRIETARY NOTE

THIS DOCUMENT CONTAINS INFORMATION CONFIDENTIAL AND PROPRIETARY TO SAMTEC, INC. AND SHALL NOT BE REPRODUCED OR TRANSFERRED TO OTHER DOCUMENTS OR DISCLOSED TO OTHERS OR USED FOR ANY PURPOSE OTHER THAN THAT WHICH IT WAS OBTAINED WITHOUT THE EXPRESSED WRITTEN CONSENT OF SAMTEC, INC.

DO NOT SCALE DRAWING

SHEET SCALE: 4:1



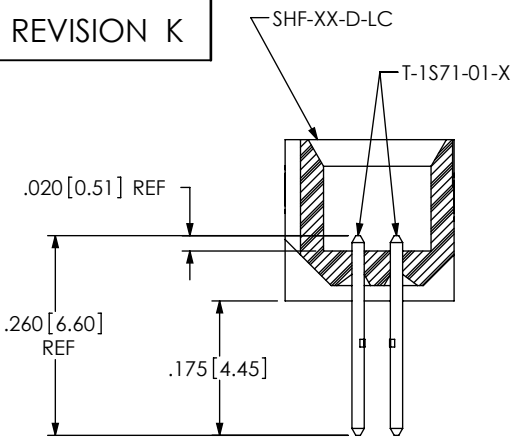
520 PARK EAST BLVD, NEW ALBANY, IN 47150  
PHONE: 812-944-6733 FAX: 812-948-5047  
e-Mail: info@SAMTEC.com code 55322

DESCRIPTION:  
.050 x .050 SHROUDED TERMINAL STRIP

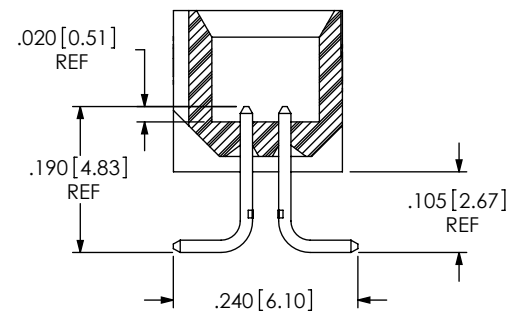
DWG. NO.  
SHF-1XX-01-X-D-XX-XX

BY: T NEWTON 1/10/2008 SHEET 2 OF 4

REVISION K

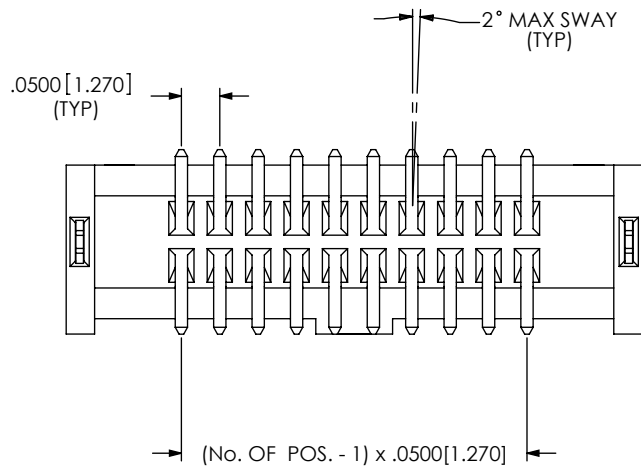
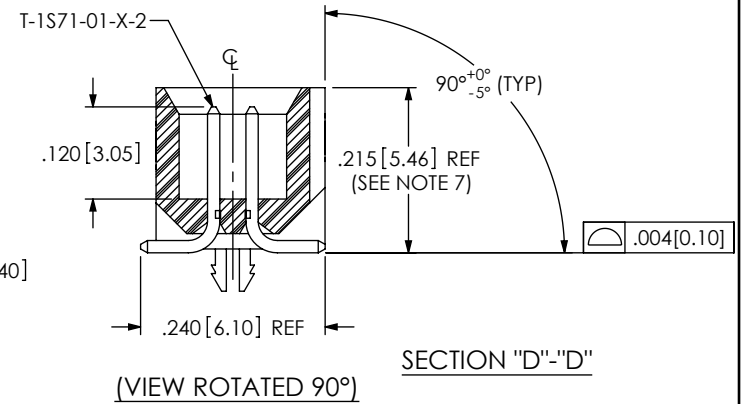
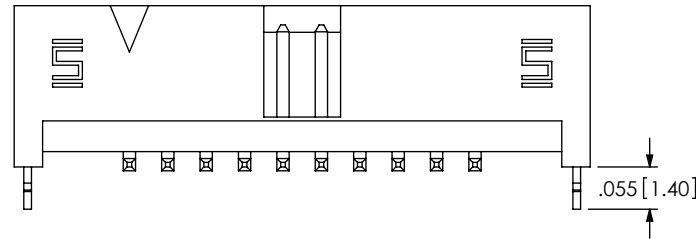
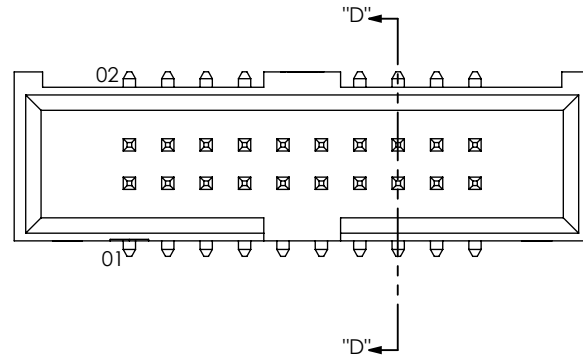


IN-PROCESS 1  
(FOR -SM ONLY)



IN-PROCESS 2  
(FOR -SM ONLY)

FIG 3  
(SHF-110-01-X-D-SM-LC SHOWN)  
(SAME AS FIG 1, DIFFERENT AS SHOWN)



PROPRIETARY NOTE  
THIS DOCUMENT CONTAINS INFORMATION  
CONFIDENTIAL AND PROPRIETARY TO  
SAMTEC, INC. AND SHALL NOT BE REPRODUCED  
OR TRANSFERRED TO OTHER DOCUMENTS OR  
DISCLOSED TO OTHERS OR USED FOR ANY  
PURPOSE OTHER THAN THAT WHICH IT WAS  
OBTAINED WITHOUT THE EXPRESSED WRITTEN  
CONSENT OF SAMTEC, INC.

DO NOT SCALE DRAWING

SHEET SCALE: 4:1

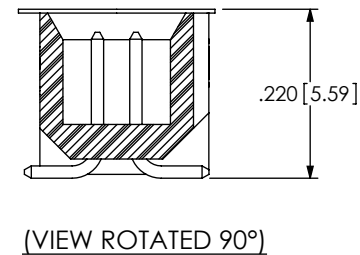
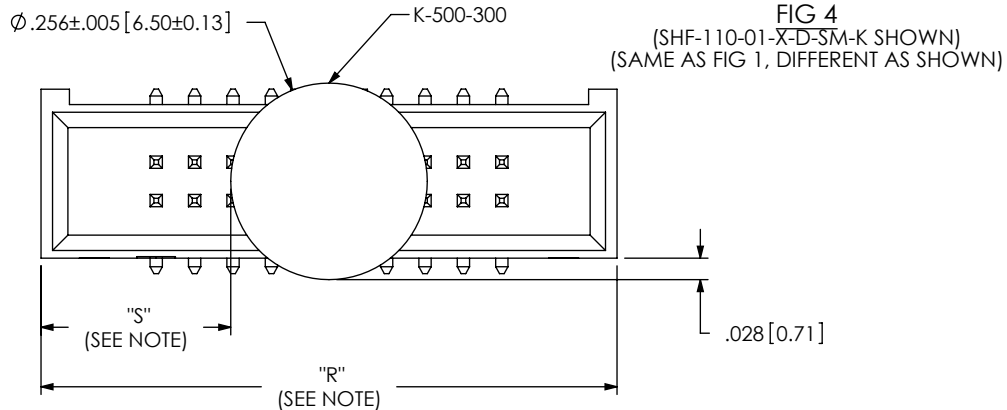
**samtec**

520 PARK EAST BLVD, NEW ALBANY, IN 47150  
PHONE: 812-944-6733 FAX: 812-948-5047  
e-Mail: info@SAMTEC.com code 55322

DESCRIPTION:  
.050 x .050 SHROUDED TERMINAL STRIP

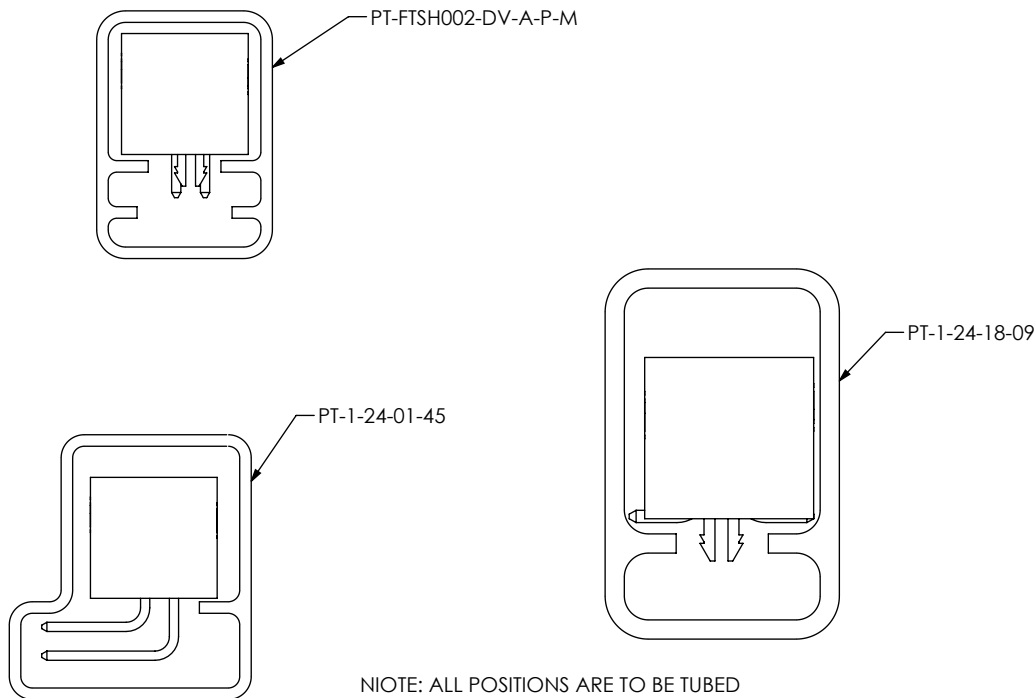
DWG. NO.  
SHF-1XX-01-X-D-XX-XX

BY: T NEWTON 1/10/2008 SHEET 3 OF 4




NOTE: "R" = USED MEASURED DIMENSION (REF)  
 "S" =  $\{('R' - .256[6.50])/2\} \pm 0.020[0.51]$

**PACKAGING**  
 ALL PARTS ARE LOADED WITH POSITION 1  
 TOWARD THE ARROW

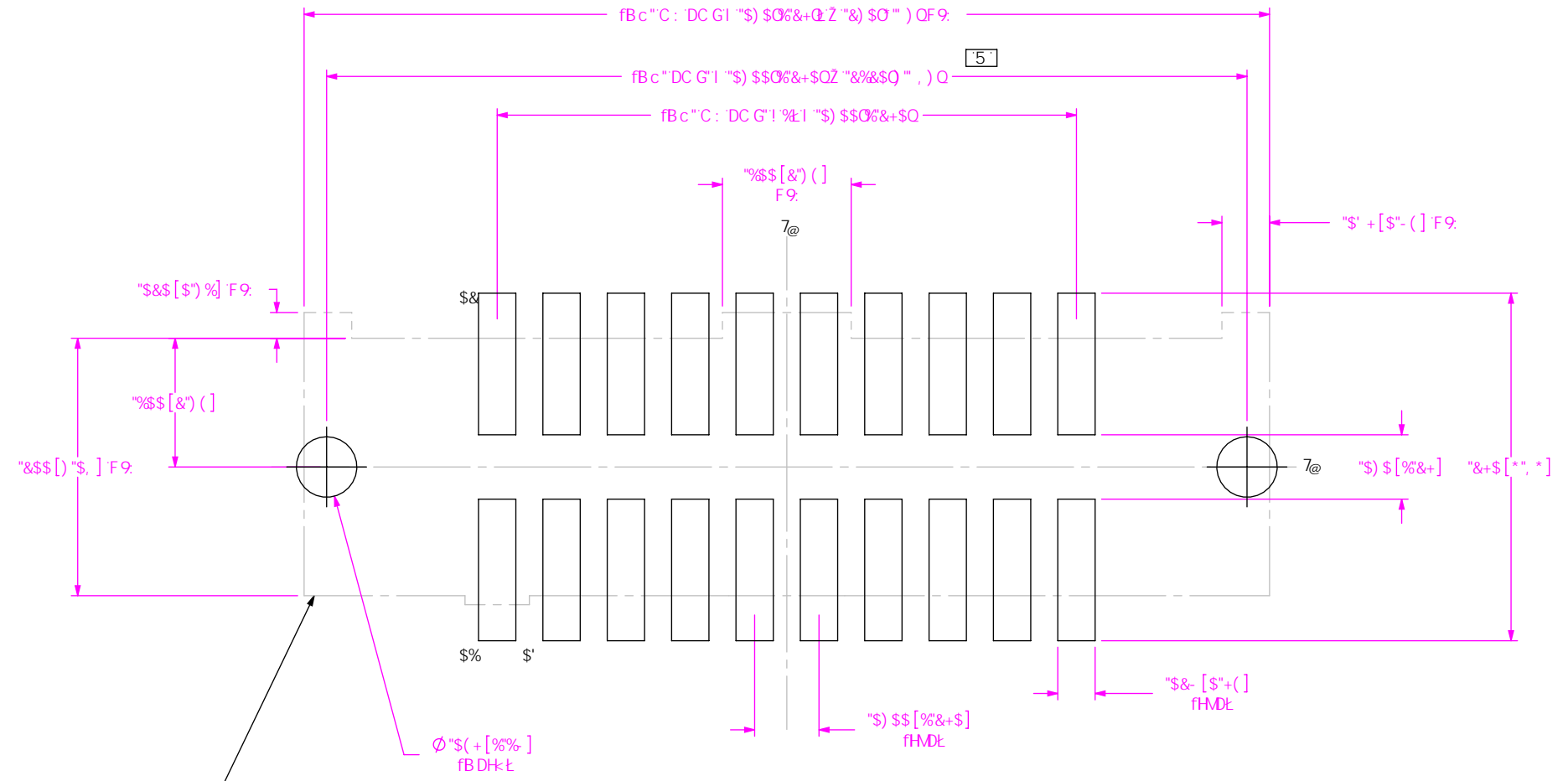


NOTE: ALL POSITIONS ARE TO BE TUBED

TABLE 1		
OPTIONS	PACKAGING TUBE	PLUG
-TH, -TH-LC	PT-FTSH002-DV-A-P-M	TP-03
-SM-LC	PT-1-24-18-09	TP-03
-RA	PT-1-24-01-45	TP-07
-SM	PT-1-24-18-09	TP-03

<p><b>PROPRIETARY NOTE</b>                  THIS DOCUMENT CONTAINS INFORMATION CONFIDENTIAL AND PROPRIETARY TO SAMTEC, INC. AND SHALL NOT BE REPRODUCED OR TRANSFERRED TO OTHER DOCUMENTS OR DISCLOSED TO OTHERS OR USED FOR ANY PURPOSE OTHER THAN THAT WHICH IT WAS OBTAINED WITHOUT THE EXPRESSED WRITTEN CONSENT OF SAMTEC, INC.</p> <p>DO NOT SCALE DRAWING</p> <p>SHEET SCALE: 4:1</p>	 <p>520 PARK EAST BLVD, NEW ALBANY, IN 47150                  PHONE: 812-944-6733 FAX: 812-948-5047                  e-Mail info@SAMTEC.com code 55322</p>	
	<p>DESCRIPTION:                  .050 x .050 SHROUDED TERMINAL STRIP</p> <p>DWG. NO. SHF-1XX-01-X-D-XX-XX</p>	
<p>BY: T NEWTON 1/10/2008</p>		<p>SHEET 4 OF 4</p>

: ÷ "%  
fG<: !%\$! \$%L!8!GA!@ 7 G<C K B L



7 C B B 9 7 H C F C I H @ B 9

5 @ @ 8 A 9 B G C B G 5 F 9 G M A A 9 H F 7 ' 5 6 C I H H K 9 7 9 B H F @ B 9 "

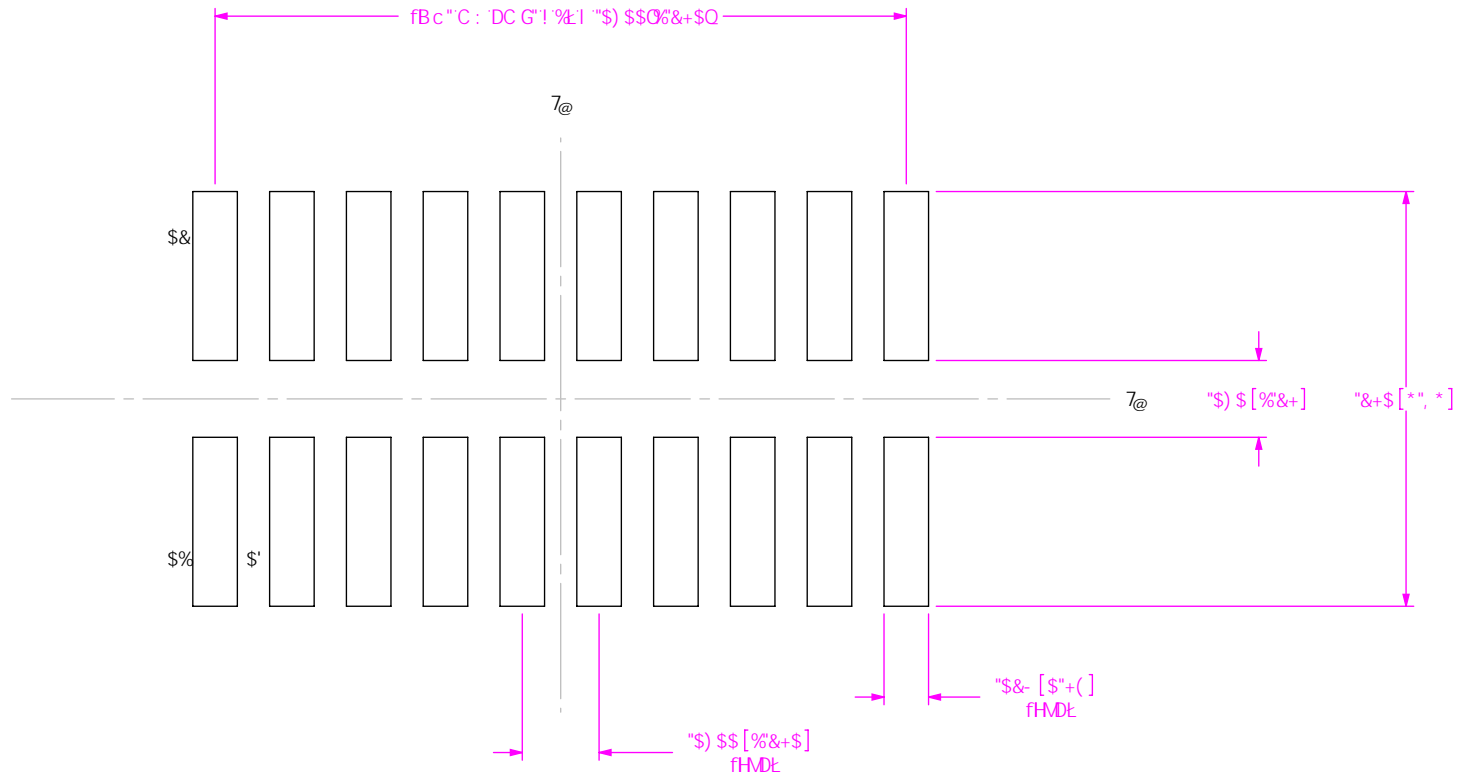
DFC DF 9 5 F M B C H 9  
 H: 68C 71A 9B H7 C B H 5 B G B: C FA 5 H C B  
 7 C B: 8 9 B H 5 @ 5 B B D F C D F 9 5 F M C  
 G S A H 7 Z B 7 " 5 B 8 G 5 @ B C H 6 9 F 9 D F C 8 1 7 9 8  
 C F H 5 B G 9 F 9 8 H C C H: 9 F B C 7 1 A 9 B H C F  
 8 6 7 @ 6 9 8 H C C H: 9 F G C F I 9 9 8: C F 5 B M  
 D I F D C 9 9 C H 9 F H: 5 B H: 5 H K < 7 < H K 5 G  
 C 6 5 B 9 8 K H C I H H: 9 9 L D F 9 9 9 8 K F H H 9  
 7 C B G 9 8 H C: G S A H 7 Z B 7 "



) & \$ D 5 F ? 9 5 G H 6 @ 8 Z B 9 K 5 @ 6 5 B M Z B ( + % ) \$  
 D < C B 9 , % & - ( ( ! \* + ' : : 5 L , % & - ( , ) \$ ( +  
 Y I A U ] . j b z 4 G 5 A H 7 " V c a ..... V k X Y . ) ' &&  
 G < 9 9 H % C : (

BC H9.  
%`GH97 @HC `69"\$\*\$SC\$"% &QH-7?"  
&"5@8A 9BG€ BG5F9GMA A 9F 7 `56CI HH:97@

: ± "'&  
fG<: !%€!\$%L!8!GA!@7 `G<CK BŁ

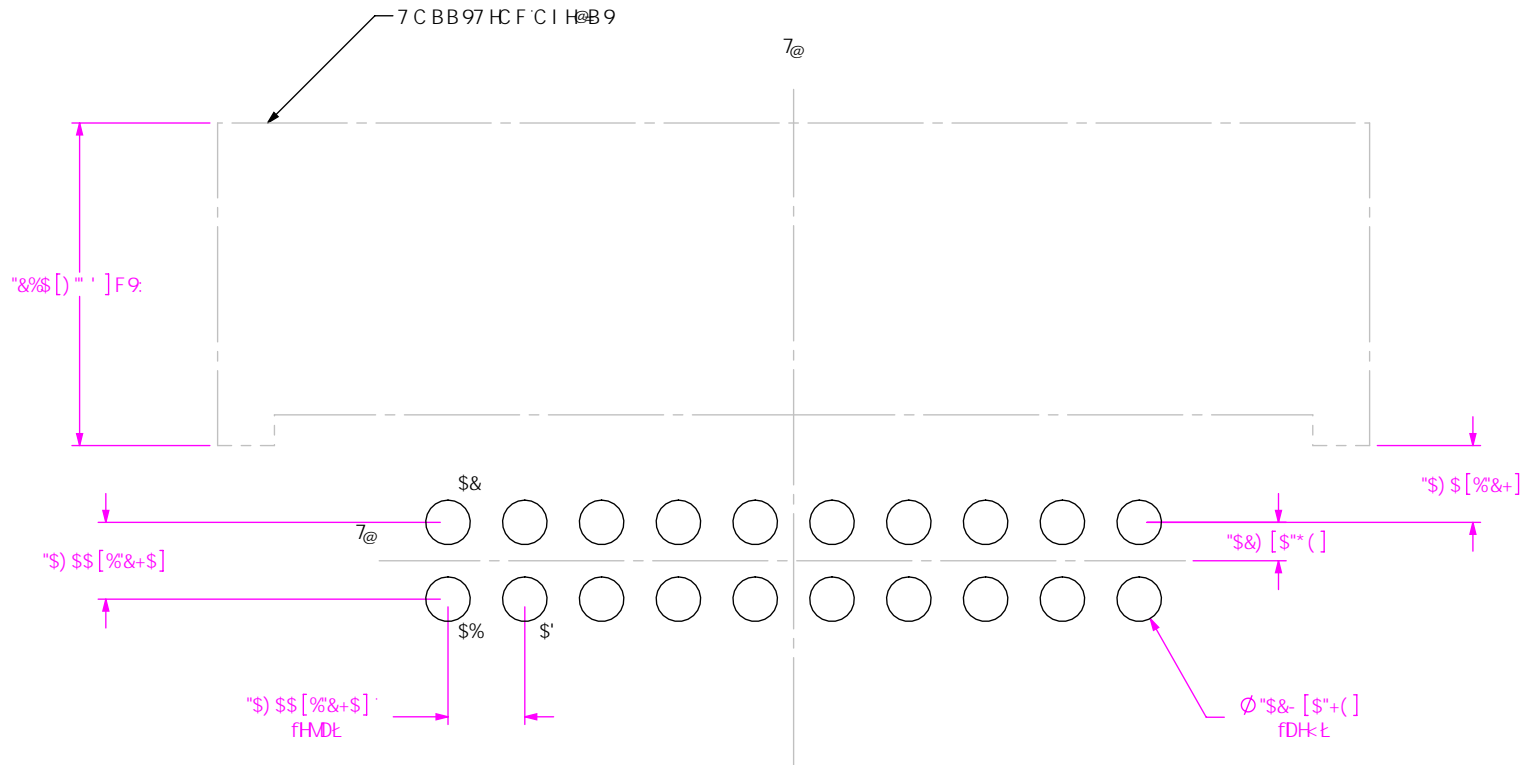


DFC DF-9H5FMBC H9  
 H: 68C 71A 9B7C B15 8G8: C FA 5HC B  
 7CB: 89B15 @5B8 DFC DF 9F5FM€  
 G5A H7Z 87 "5B8 G: 5@B C H69F9DFC 81 7 98  
 CF H5B G 9F 98 HC CH: 9F BC 71A 9BHC F  
 8 67 @G 98 HC CH: 9F GC F1 98: CF 5BM  
 D1 FDC 99C H: 9F H: 5B H: 5HK <7 - HK 5G  
 C 615-B 98 K H: C1 H: H: 9 9L DF 9098 K F H9B  
 7CBG98HC: G5A H7Z 87 "



) & S5F? 95GH6@ 8zB9K 5@65BMz-B (+%) \$  
 D<C B9., %&L-((!"+\* .....: 5L., %&L- (.) \$ (+  
 Y1A UJ. ]bZ 4 G5A H7 "Vc a ..... Vc XY.))' &&  
 G< 99H & C: (

: ± "'  
fG<: !%L!\$%L!8!F5 'G<C K BŁ  
fG5A 9'5G: ± "%z8 ÷: 9F9BH5GG<C K BŁ



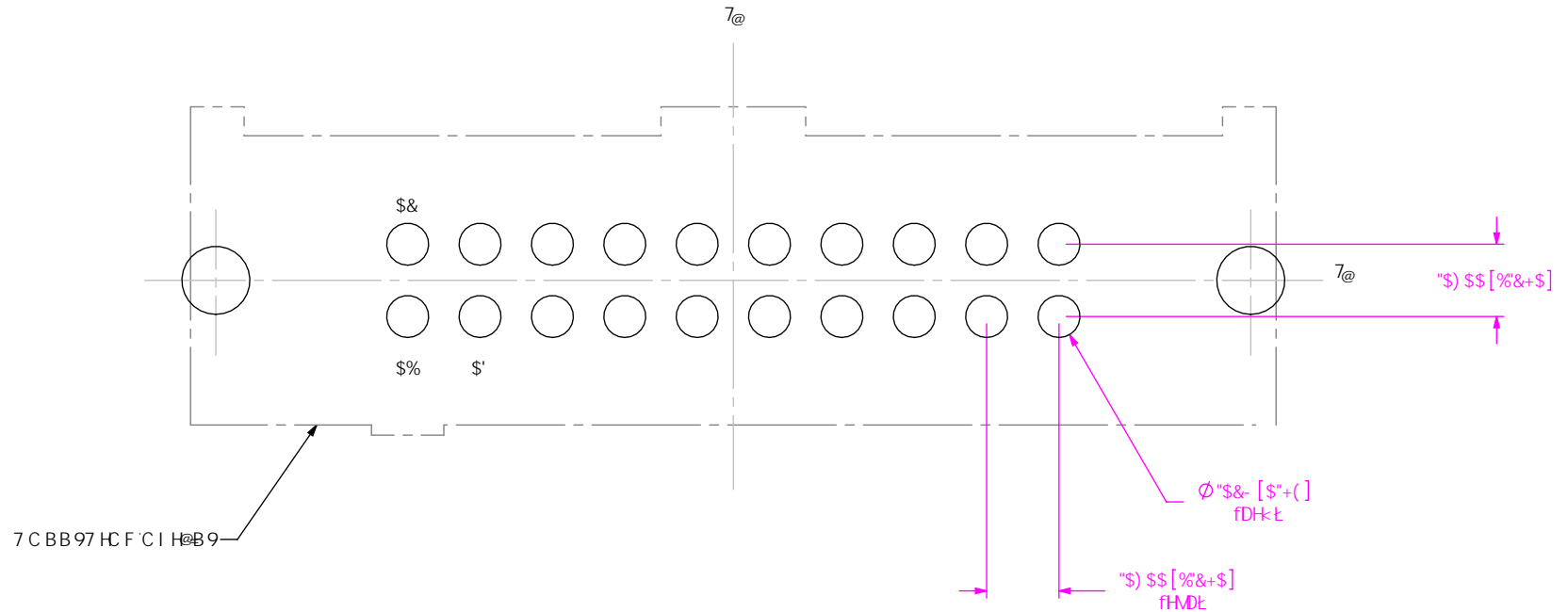
5@@8-A 9BG€BG5F9GMA A 9HF 7 '56C I HH:97 9BHF @B9'

DFC DF-9H5FMBC H9  
 H: 68C 71A 9B H7 C B5 B G B: C FA 5HC B  
 7 C B: 8 9B H5 @5 B B DFC DF 9H5 FM C  
 G5A H7 Z B 7 " 5 B B G: 5 @ B C H 6 9 F 9 D F C 81 7 9 B  
 C F H 5 B G 9 F 9 B H C C H: 9 F B C 71 A 9 B H G C F  
 B 6 7 @ C 9 B H C C H: 9 F G C F I 9 B: C F 5 B M  
 D I F D C 9 9 C H 9 F H: 5 B H: 5 H K < 7 < H K 5 G  
 C 6 5 B 9 B K H: C I H H: 9 9 L D F 9 9 B B K F H H B  
 7 C B G 9 B H C: G5A H7 Z B 7 "



) & S D5 F? 95 GH6 @ 8 Z B 9 K 5 @ 65 B M Z B (+%) \$  
 D < C B 9 , % & - ((! " + ' : : 5 L , % & - ( , ) \$ ( +  
 Y I A U ] , j b z 4 G5A H7 " V c a ..... V c X Y . ) ' & &  
 G < 99 H ' ' ' C : (

: ≠ "(  
fG<: !%\$!\$%L!8!H!@7 `G<C K BŁ  
fG5A 95G: ≠ "%Z8≠: 9F9BH5GG<C K BŁ



5@@8-A 9BG€ BG5F9GMA A 9HF-7 `56C I HH-97 9BH9F @B9`

DFC DF-9H5FMBC H9  
 H: 68C 71A 9BH7C B5 BG B: C FA 5HC B  
 7CB: 89BH5 @5BB DFC DF 9H5FMBC  
 G5A H7Z B7 `5BB G: 5@B C H69F9DFC B1 7 98  
 CF H5BG 9FF98 HC C H: 9F BC 71A 9BHGC F  
 B 67 @C 98 HC C H: 9FGCF I 98B: CF 5BM  
 D1 FDC 99C H: 9F H: 5B H: 5HK <-7 - HK 5G  
 C 6H5 B 98 K H: C1 H: H: 99L DF 9898 K F H9B  
 7CBG98HC: G5A H7Z B7`



)& D5F? 95GH6@ 8zB9K 5@65BMz-B (+%) \$  
 D<C B9., %&L-((!"+' .....: 5L., %&L-(.) \$(+  
 YIA UJ. ]bZ 4 G5A H97 "Vca ..... Vc: XY.)` &&  
 G< 99H(`C: (