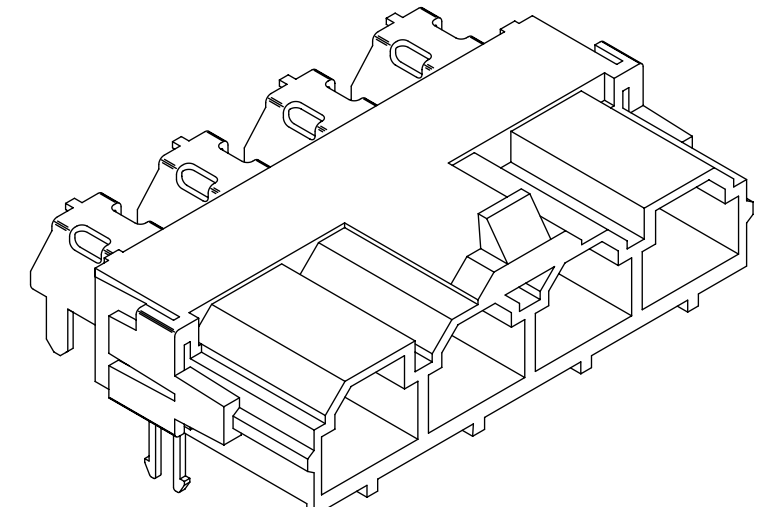
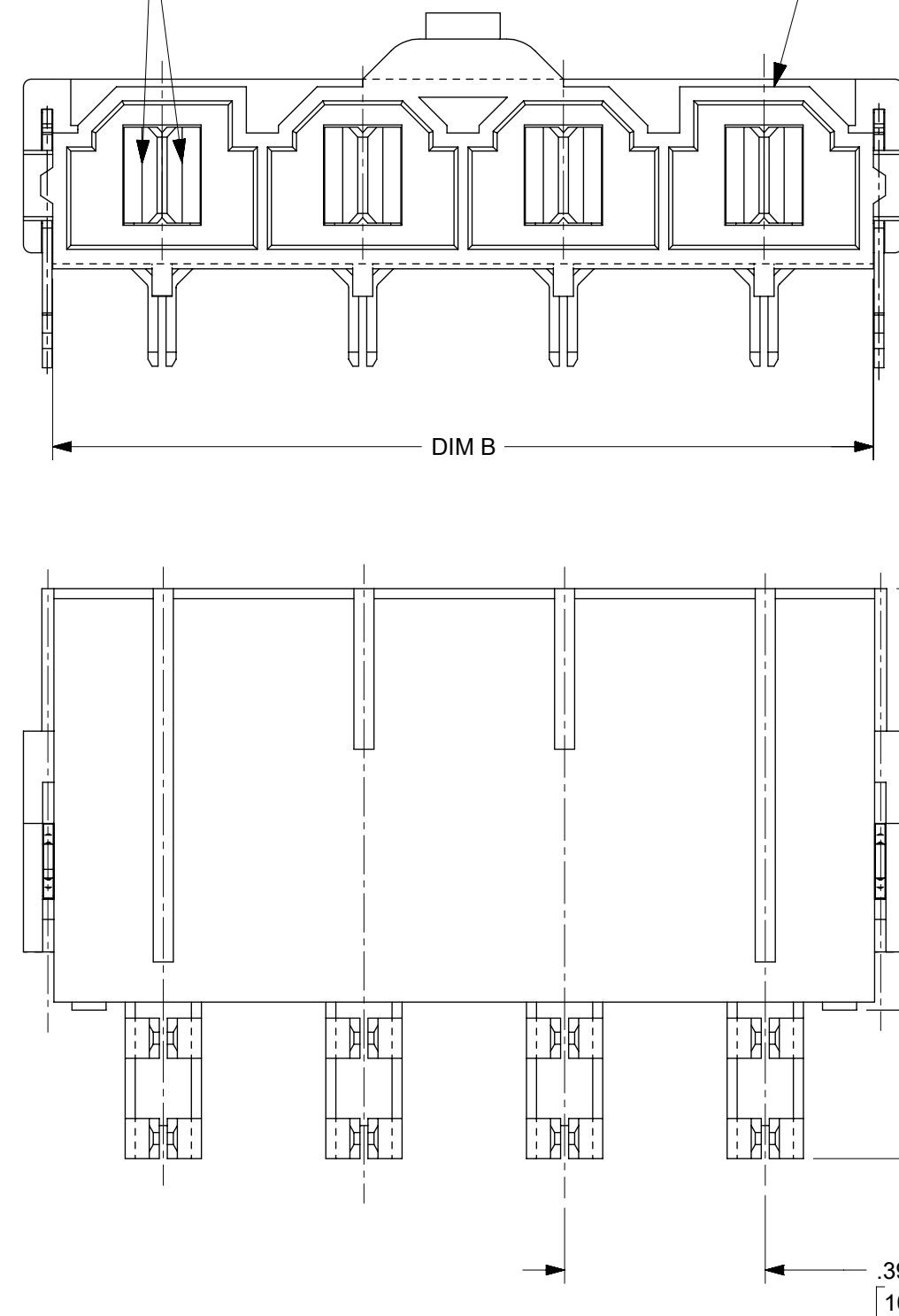


ITEM NUMBER	CKT. SIZE	DIM."A"	DIM."B"	DIM."C"	TERMINAL PLATING	CLIP PLATING	STATUS
42820-2213	2	.138/(3.50)	.823/(20.90)	.071/(1.80)	SELECT GOLD IN CONTACT AREA (SEE LEGEND)		ACTIVE
42820-2313	2	.138/(3.50)	.823/(20.90)	N/A			
42820-2223	2	.201/(5.10)	.823/(20.90)	.102/(2.60)			
42820-2233	2	.201/(5.10)	.823/(20.90)	.134/(3.40)			
42820-2243	2	.327/(8.30)	.823/(20.90)	.259/(6.58)			
42820-3213	3	.138/(3.50)	1.217/(30.90)	.071/(1.80)			
42820-3228	3	.138/(3.50)	1.217/(30.90)	.102/(2.60)			
42820-3223	3	.201/(5.10)	1.217/(30.90)	.102/(2.60)			
42820-3233	3	.201/(5.10)	1.217/(30.90)	.134/(3.40)			
42820-3243	3	.327/(8.30)	1.217/(30.90)	.259/(6.58)			
42820-4213	4	.138/(3.50)	1.610/(40.90)	.071/(1.80)	SELECT MATTE TIN ON SOLDER TAILS		ACTIVE
42820-4223	4	.201/(5.10)	1.610/(40.90)	.102/(2.60)			
42820-4233	4	.201/(5.10)	1.610/(40.90)	.134/(3.40)			
42820-4243	4	.327/(8.30)	1.610/(40.90)	.259/(6.58)			
42820-5213	5	.138/(3.50)	2.004/(50.90)	.071/(1.80)			
42820-5223	5	.201/(5.10)	2.004/(50.90)	.102/(2.60)			
42820-5233	5	.201/(5.10)	2.004/(50.90)	.134/(3.40)			
42820-5243	5	.327/(8.30)	2.004/(50.90)	.259/(6.58)			
42820-6213	6	.138/(3.50)	2.398/(60.90)	.071/(1.80)			
42820-6223	6	.201/(5.10)	2.398/(60.90)	.102/(2.60)			
42820-6233	6	.201/(5.10)	2.398/(60.90)	.134/(3.40)			
42820-6243	6	.327/(8.30)	2.398/(60.90)	.259/(6.58)			
42820-2214	2	.138/(3.50)	.823/(20.90)	.071/(1.80)	SELECT SILVER IN CONTACT AREA (SEE LEGEND)	NONE	ACTIVE
42820-2224	2	.201/(5.10)	.823/(20.90)	.102/(2.60)			
42820-2234	2	.201/(5.10)	.823/(20.90)	.134/(3.40)			
42820-2244	2	.327/(8.30)	.823/(20.90)	.259/(6.58)			
42820-2314	2	.138/(3.50)	.823/(20.90)	N/A			
42820-3214	3	.138/(3.50)	1.217/(30.90)	.071/(1.80)			
42820-3224	3	.201/(5.10)	1.217/(30.90)	.102/(2.60)			
42820-3234	3	.201/(5.10)	1.217/(30.90)	.134/(3.40)			
42820-3244	3	.327/(8.30)	1.217/(30.90)	.259/(6.58)			
42820-3314	3	.138/(3.50)	1.217/(30.90)	N/A			
42820-4214	4	.138/(3.50)	1.610/(40.90)	.071/(1.80)	SELECT MATTE TIN ON SOLDER TAILS		ACTIVE
42820-4224	4	.201/(5.10)	1.610/(40.90)	.102/(2.60)			
42820-4234	4	.201/(5.10)	1.610/(40.90)	.134/(3.40)			
42820-4244	4	.327/(8.30)	1.610/(40.90)	.259/(6.58)			
42820-5214	5	.138/(3.50)	2.004/(50.90)	.071/(1.80)			
42820-5224	5	.201/(5.10)	2.004/(50.90)	.102/(2.60)			
42820-5234	5	.201/(5.10)	2.004/(50.90)	.134/(3.40)			
42820-5244	5	.327/(8.30)	2.004/(50.90)	.259/(6.58)			
42820-5314	5	.138/(3.50)	2.004/(50.90)	N/A			
42820-6214	6	.138/(3.50)	2.398/(60.90)	.071/(1.80)			
42820-6224	6	.201/(5.10)	2.398/(60.90)	.102/(2.60)			
42820-6234	6	.201/(5.10)	2.398/(60.90)	.134/(3.40)			
42820-6244	6	.327/(8.30)	2.398/(60.90)	.259/(6.58)			
42820-2294	2	.138/(3.50)	0.823/(20.90)	.071/(1.80)			
42820-4294	4	.138/(3.50)	1.610/(40.90)	.071/(1.80)			

NOTE:
 1) MATERIAL:
 HOUSING MATERIAL:30% GLASS-FILLED NYLON 4/6, U.L.94V-0, COLOR: BLACK.
 TERMINAL MATERIAL ALLOY 151.
 2) FINISH: 2= .000100/(.00254) MIN. TIN OVER .000050/(.00127) MIN. NICKEL.
 3= .000030/(.00076) MIN. SELECT GOLD IN CONTACT AREA.
 OVER .000050/(.00127) MIN NICKEL.
 4= .000100/(.00254) MIN SELECT SILVER IN CONTACT AREA
 .000100/(.00254) MIN. SELECT TIN ON SOLDER TAILS
 OVER .000050/(.00127) MIN NICKEL.
 3) PRODUCT SPECIFICATION: PS-42815-001.
 4) PACKAGING INFORMATION SEE MOLEX PACKING SPEC. PK-42820-910
 5) PART MATES WITH MOLEX RECEPTACLE *42816-***2 WITH TPA.
 6) PART IS DESIGNED IN METRIC.
 7) AN "X" IN FRONT OF THE ITEM NUMBER INDICATES THE PART IS NOT TOOLED.
 8) PARTS ARE NOT TO BE MATED OR UNMATED WHILE CIRCUITS ARE LIVE
 9) WHEN USING OVERALL TIN PLATED TERMINALS:
 FOR APPLICATIONS INVOLVING VIBRATION AND/OR TERMINAL CYCLING, MOLEX STRONGLY
 RECOMMENDS THE USE OF NYE LUBRICANT (NYOGEL 760G) ON THE MATING
 SURFACES OF THE TERMINAL.
 10) PARTS CONFORMS TO CLASS 'B' REQUIRMENTS OF COSMETIC
 SPECIFICATIONS PS-45499-002
 11) FOR TAPE AND REEL PACKAGING REFER TO PK-45986-004
 12) BOARD CLIP HOLE MAY OR MAY NOT BE PLATED. REFER TO CHART
 FOR PLATED / UNPLATED CLIPS.
 13) REFER AS-42815-001 FOR TIN PLATED TERMINALS RECOMMENDED LUBRICATION PROCEDURE.
 14) FOR PN 42820**9 PLEASE REFER TO MOLEX PACAKAGING SPEC. 428204294-PK.

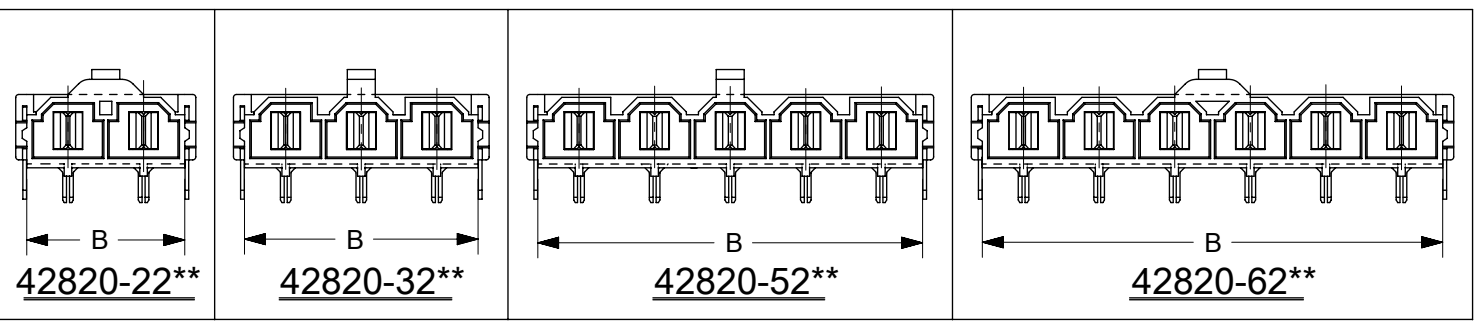
MATING AREA
(SEE NOTE 9)



HEADER WITH RT. ANGLE TERMINAL & CLIP
ISO VIEW

LEGEND :

- A-42820 - * * * *
 CIRCUIT SIZE (2-6)
 PLATING
 2 OR 9 = OVERALL BRIGHT TIN OVER NICKEL
 3 OR 8 = SELECT GOLD IN CONTACT AREA
 SELECT MATTE TIN ON SOLDER TAILS OVER NICKEL
 4 = SELECT SILVER IN CONTACT AREA
 SELECT MATTE TIN ON SOLDER TAILS OVER NICKEL
 MOUNTING OPTION
 1 = FLANGES (SEE DWG SDA-42820-*1**)
 2 = RETENTION CLIP
 3 = NO RETENTION CLIP
 P.C. BOARD THICKNESS
 1 = .062/(1.57) NOMINAL
 2 = .093/(2.36) NOMINAL
 3 = .125/(3.18) NOMINAL
 4 = .250/(6.35) NOMINAL
 9 = .062/(1.57) NOMINAL WITH 428204294-PK (14)

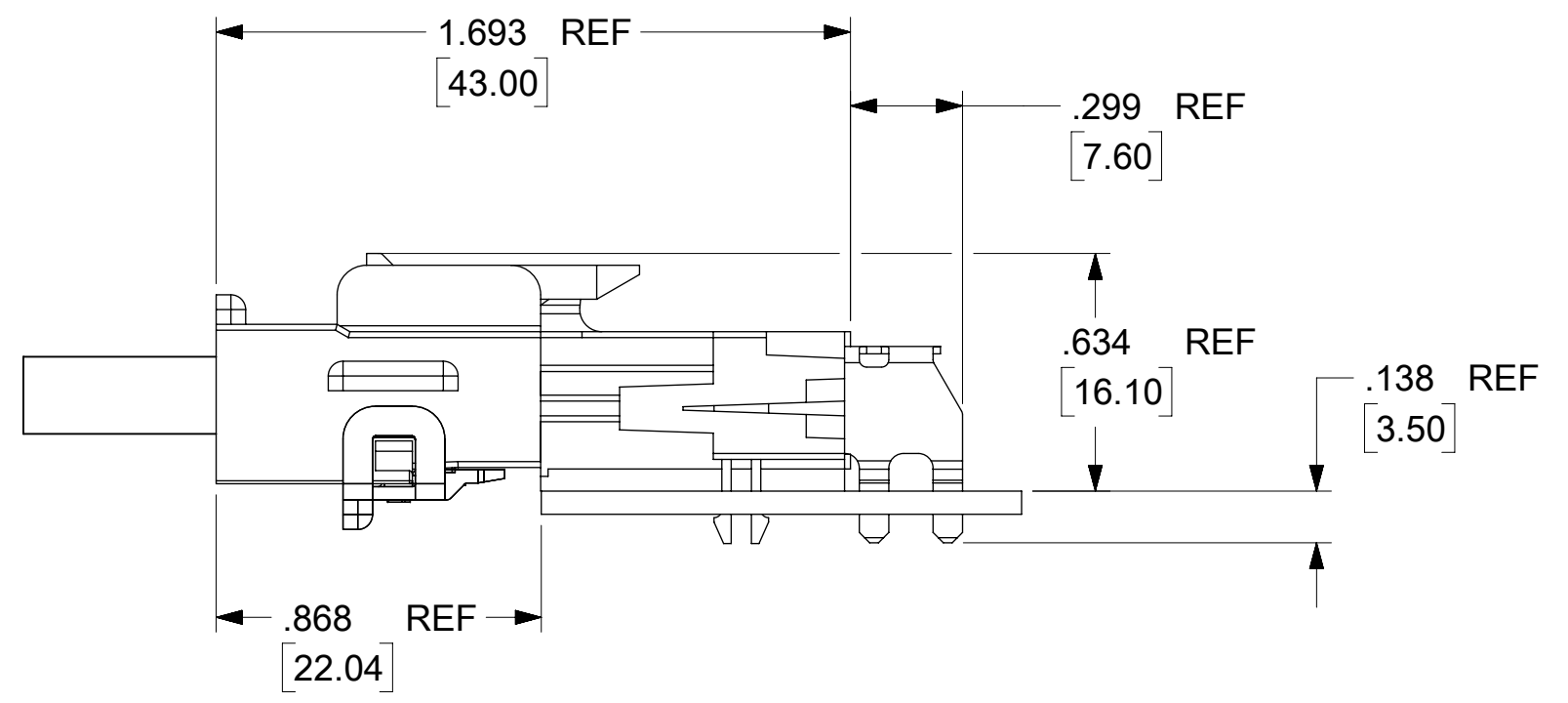


THIS DRAWING CONTAINS INFORMATION THAT IS PROPRIETARY TO MOLEX ELECTRONIC TECHNOLOGIES, LLC AND SHOULD NOT BE USED WITHOUT WRITTEN PERMISSION

DIMENSION UNITS	SCALE	CURRENT REV DESC:		molex		
mm	3:1					
GENERAL TOLERANCES (UNLESS SPECIFIED)		EC NO: 687922		MINI-FIT SR.		
ANGULAR TOL	± 0.5°	DRWN: SHRUTJ 2021/12/06		RIGHT ANGLE HEADER ASSEMBLY		
4 PLACES	±	CHK'D: SHRUTJ 2021/12/07		PRODUCT CUSTOMER DRAWING		
3 PLACES	±	APPR: ISHWARG 2021/12/07		DOCUMENT NUMBER		
2 PLACES	± 0.13	INITIAL REVISION:		SDA-42820-0002		
1 PLACE	± 0.25	DRWN: RFC_PLMIMP 2018/11/02		DOC TYPE DOC PART REVISION		
0 PLACES	±	APPR: JCOMERCI 2001/07/18		PSD 001 J1		
DRAFT WHERE APPLICABLE MUST REMAIN WITHIN DIMENSIONS	THIRD ANGLE PROJECTION	DRAWING	SERIES	MATERIAL NUMBER	CUSTOMER	SHEET NUMBER
		C-SIZE	42820	SEE CHART	GENERAL MARKET	1 OF 2

ITEM NUMBER	CKT. SIZE	DIM."A"	DIM."B"	DIM."C"	TERMINAL PLATING	CLIP PLATING	STATUS
42820-2212	2	.138/(3.50)	.823/(20.90)	.071/(1.80)	OVERALL BRIGHT TIN	NONE	PLANNED FOR OBSOLESCENCE
42820-2219	2	.138/(3.50)	.823/(20.90)	.071/(1.80)			
42820-2222	2	.201/(5.10)	.823/(20.90)	.102/(2.60)			
42820-2232	2	.201/(5.10)	.823/(20.90)	.134/(3.40)			
42820-2239	2	.201/(5.10)	.823/(20.90)	.134/(3.40)			
42820-2242	2	.327/(8.30)	.823/(20.90)	.259/(6.58)			
42820-3212	3	.138/(3.50)	1.217/(30.90)	.071/(1.80)			
42820-3222	3	.201/(5.10)	1.217/(30.90)	.102/(2.60)			
42820-3229	3	.201/(5.10)	1.217/(30.90)	.102/(2.60)			
42820-3232	3	.201/(5.10)	1.217/(30.90)	.134/(3.40)			
42820-3242	3	.327/(8.30)	1.217/(30.90)	.259/(6.58)			
42820-4212	4	.138/(3.50)	1.610/(40.90)	.071/(1.80)			
42820-4312	4	.138/(3.50)	1.610/(40.90)	N/A			
42820-4222	4	.201/(5.10)	1.610/(40.90)	.102/(2.60)			
42820-4232	4	.201/(5.10)	1.610/(40.90)	.134/(3.40)			
42820-4242	4	.327/(8.30)	1.610/(40.90)	.259/(6.58)			
42820-5212	5	.138/(3.50)	2.004/(50.90)	.071/(1.80)			
42820-5222	5	.201/(5.10)	2.004/(50.90)	.102/(2.60)			
42820-5232	5	.201/(5.10)	2.004/(50.90)	.134/(3.40)			
42820-5242	5	.327/(8.30)	2.004/(50.90)	.259/(6.58)			
42820-6212	6	.138/(3.50)	2.398/(60.90)	.071/(1.80)			
42820-6222	6	.201/(5.10)	2.398/(60.90)	.102/(2.60)			
42820-6229	6	.201/(5.10)	2.398/(60.90)	.102/(2.60)			
42820-6232	6	.201/(5.10)	2.398/(60.90)	.134/(3.40)			
42820-6242	6	.327/(8.30)	2.398/(60.90)	.259/(6.58)			
42820-2332	2	.201/(5.10)	.823/(20.90)	N/A			
42820-2342	2	.327/(8.30)	.823/(20.90)	N/A			

SEE NOTE 11



RECOMMENDED P.C. BOARD PLATED -THRU HOLE LAYOUT
(4 CKT. SHOWN FOR REF.)

THIS DRAWING CONTAINS INFORMATION THAT IS PROPRIETARY TO MOLEX ELECTRONIC TECHNOLOGIES, LLC AND SHOULD NOT BE USED WITHOUT WRITTEN PERMISSION									
DIMENSION UNITS: mm		SCALE: 3:1		CURRENT REV DESC:				molex	
GENERAL TOLERANCES (UNLESS SPECIFIED)		EC NO: 687922		DRWN: SHRUTJ 2021/12/06		MINI-FIT SR. RIGHT ANGLE HEADER ASSEMBLY			
ANGULAR TOL ± 0.5°		4 PLACES ±		CHK'D: SHRUTJ 2021/12/07		PRODUCT CUSTOMER DRAWING		DOCUMENT NUMBER	
3 PLACES ±		2 PLACES ± 0.13		APPR: ISHWARG 2021/12/07		INITIAL REVISION:		DOC TYPE DOC PART REVISION	
1 PLACE ± 0.25		0 PLACES ±		DRWN: RFC_PLMIMP 2018/11/02		SDA-42820-0002		PSD 001 J1	
DRAFT WHERE APPLICABLE MUST REMAIN WITHIN DIMENSIONS		THIRD ANGLE PROJECTION		DRAWING: C-SIZE		SERIES: 42820		MATERIAL NUMBER CUSTOMER SHEET NUMBER	
						SEE CHART		GENERAL MARKET 2 OF 2	