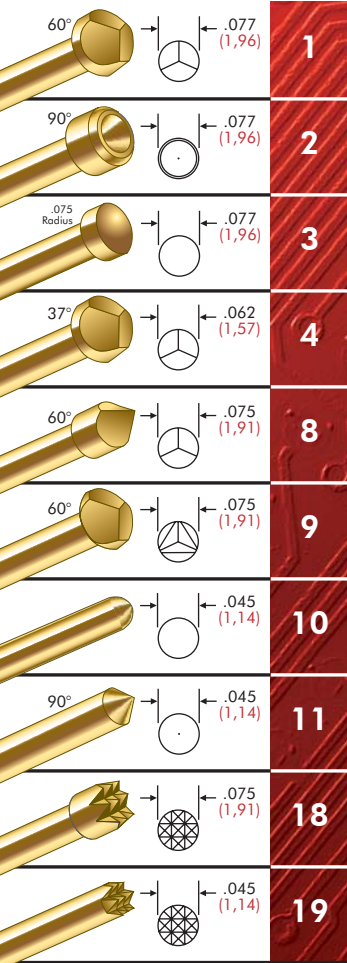


BeCu PLUNGERS



PROBE SPECIFICATIONS

Minimum Centers: .100 (2,54)
 Current Rating: 3 amps continuous
 Spring Force: 3.8 or 7.0 oz. @ .050 (1,27) travel
 Contact Resistance:
 SS: <65 mΩ
 GSS: <30 mΩ
 Maximum Travel: .060 (1,52)
 *for SS-8 .050 (1,27)

Rated Force oz (gms)	Preload oz (gms)	Material
3.8 (108)	1.6 (45)	SS
7.0 (198)	1.3 (37)	MW

RECEPTACLE SPECIFICATIONS

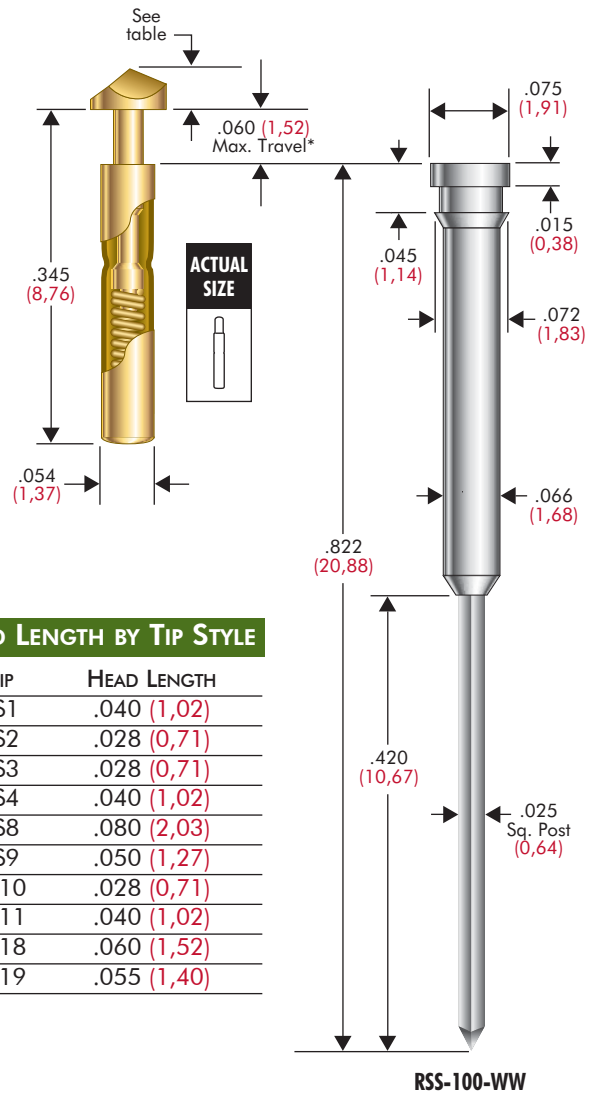
Connections:
 RSS-100-CR: Crimp
 RSS-100-NT: No Tail
 RSS-100-WW: Wire Wrap, .025 square post .420 (10,67) length
 RSS-100-RP: Round Post, .028 (0,71) diameter, .220 (5,59) length

Recommended Wire: 28-30 gage
Drill Size: #30
Mounting Hole Size: .068/.070 (1,73/1,78)

MATERIALS

Barrel: SS: Nickel/silver
 GSS: Nickel/silver, gold plated
 Spring: SS: Stainless steel or music wire
 GSS: Stainless steel or music wire, gold plated
 Plunger: Full-hard beryllium copper, gold plated over nickel
 Receptacle: Nickel/silver

SS-100/GSS-100 PROBE AND RECEPTACLE



HEAD LENGTH BY TIP STYLE

TIP	HEAD LENGTH
SS1	.040 (1,02)
SS2	.028 (0,71)
SS3	.028 (0,71)
SS4	.040 (1,02)
SS8	.080 (2,03)
SS9	.050 (1,27)
SS10	.028 (0,71)
SS11	.040 (1,02)
SS18	.060 (1,52)
SS19	.055 (1,40)

HOW TO ORDER: SPRING CONTACT PROBE RECEPTACLE

SS SERIES **1** TIP STYLE **3.8** SPRING FORCE **G** PLATING OPTIONS

SERIES:
 SS: Nickel/Silver Barrel
 GSS: Gold Plated Barrel

CRIMPING PLIERS: CPSS100 **INSERTION TOOL:** RTSS100

SPRING FORCE:
 3.8 oz. @ .050 (1,27) travel
 7.0 oz. @ .050 (1,27) travel

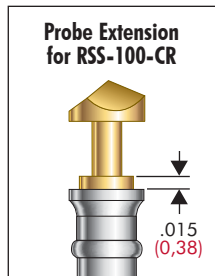
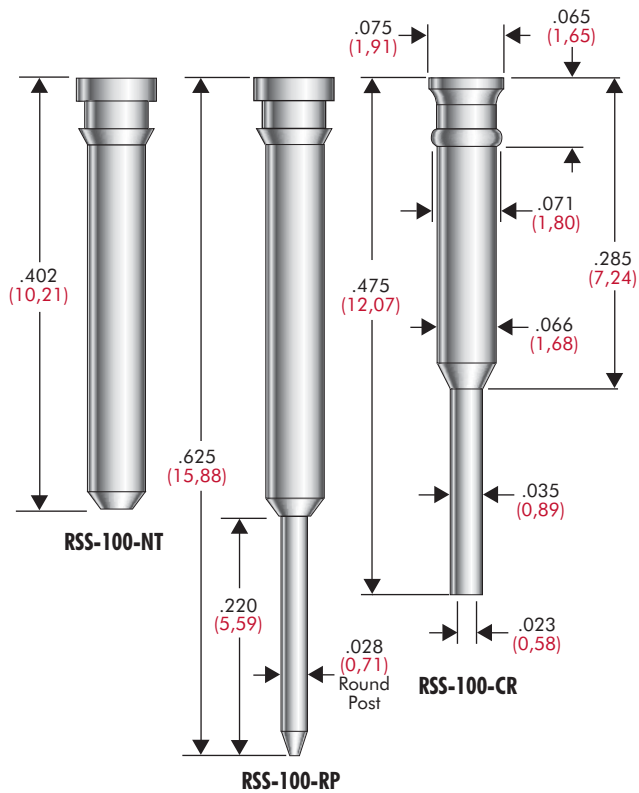
RSS SERIES **100** SIZE **WW** TERMINATION

TERMINATIONS:
 CR: Crimp
 RP: Round Post
 NT: No Tail
 WW: Wire Wrap

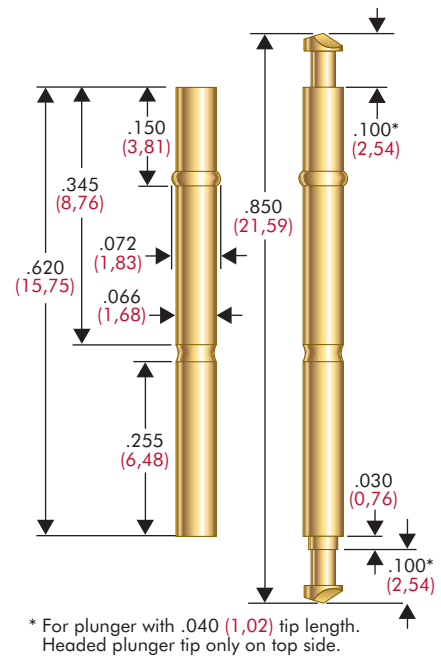
View updates of this information at <http://www.idinet.com>

Specifications subject to change without notice. Dimensions in inches (millimeters)

SS-100/GSS-100 RECEPTACLES



RSS/SS RECEPTACLE



RECEPTACLE SPECIFICATIONS

Minimum Centers: .100 (2,54)

Drill Size: #50
Mounting Hole Size: .068/.070 (1,73/1,78)

MATERIALS

Standard Series: Nickel/silver

High Performance Series:
Nickel/silver, gold plated
over nickel

This receptacle houses an
SS100 or GSS100 on each end.

HOW TO ORDER

Standard Series: RS-SS/SS
High Performance: R-SS/SS