

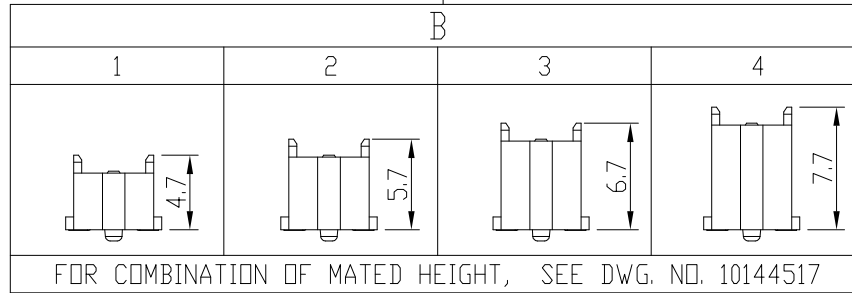
10144518- AA B C D E FF

AA	NO. OF POSITIONS
03	2X15
04	2X20
06	2X30
08	2X40
10	2X50
12	2X60
14	2X70

NOTE 6

E	PACKAGING
2	T&R WITH METAL CAP
3	T&R WITHOUT CAP

D	PEG	HOLD DOWN
0	YES	NO
2	NO	NO



C	PLATING	FF
8	GOLD FLASH ON CONTACT AREA ; PURE MATT TIN 2.5um MIN ON SOLDER TAIL; NICKEL UNDERPLATE OVERALL 1.27um. (LEADFREE PLATING)	LF

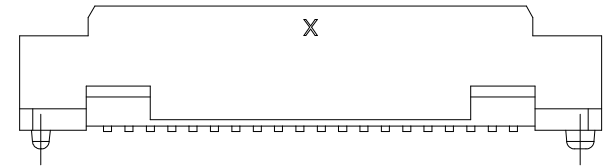
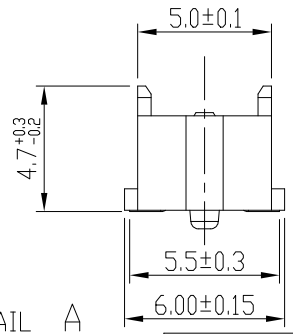
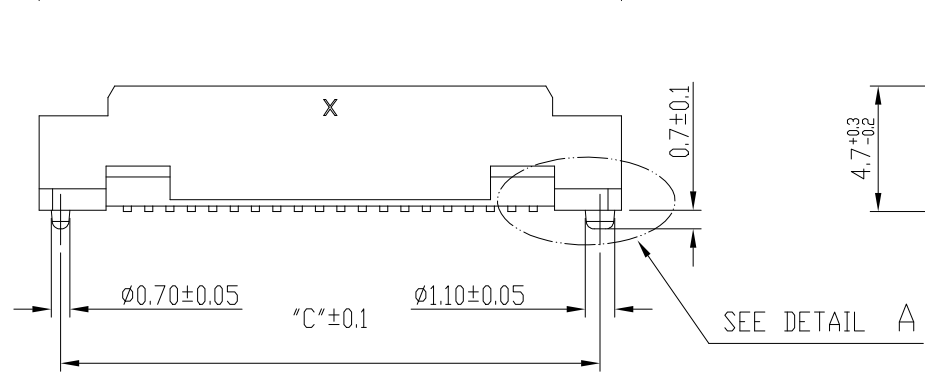
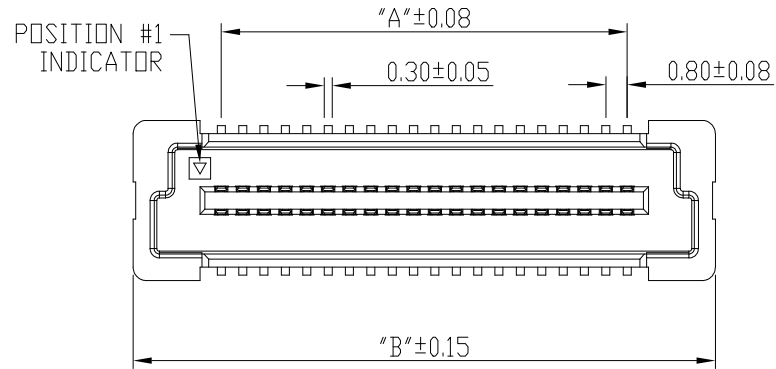
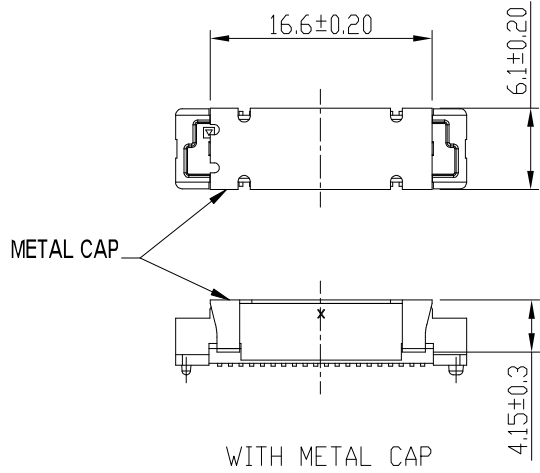
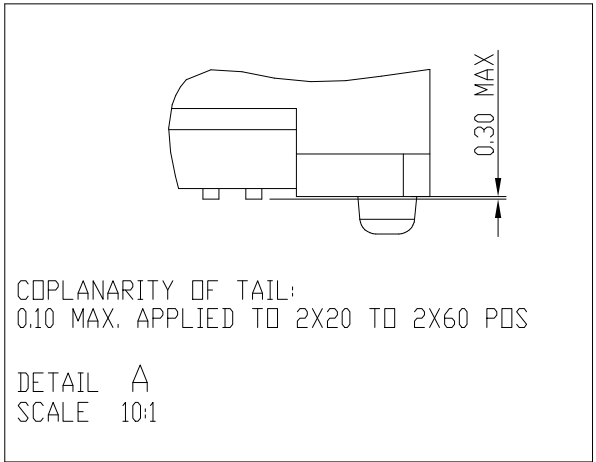
NOTE:

- MATERIAL:
HOUSING: G.F. LCP, NATURAL, UL94-V0
TERMINAL: COPPER ALLOY
- PLATING: AS SHOWN IN TABLE.
- SEE GS-12-1424 FOR PRODUCT SPEC.
- THIS PRODUCT MEETS THE EUROPEAN UNION DIRECTIVES AND OTHER COUNTRY REGULATIONS AS DESCRIBED IN GS-47-0004.
- THE HOUSING WILL WITHSTAND EXPOSURE UP TO 260~ PEAK TEMPERATURE FOR 30 SECONDS IN A CONVECTION, INFRA-RED OR VAPOR PHASE REFLOW OVEN.
- 2X15POS ONLY PLUG2 IS AVAILABLE.

mat'l. code		surface <input checked="" type="checkbox"/> ISO 1302		tolerance <input checked="" type="checkbox"/> ISO 406		projection <input checked="" type="checkbox"/> ISO 1101		product family	
A		Bob 2016-07-05		tolerances unless otherwise specified		mm		BERGSTAK	
B		ELX-N-28149 Bob 2017-10-13		angles		linear		title	
C		ELX-N-32751 Bob 2019-02-22		0°±3°		.0±.2		PLUG ASSY	
D		ELX-N-35214 Bob 2019-10-28		dr		.00±.15		BERGSTAK 0.8MM	
E		ELX-N-44249 Alan 2022-03-24		engr		.000±.10		scale 1:1	
				chr				dwg no	
				appd				sheet 1 of 6	
				Tim Yao 2022-03-24				size	
sheet		revision		A		B		C	
index		sheet		1~6		1~6		1~6	



PRODUCT NO.	NO. OF POSITION	DIMENSION		
		A	B	C
10144518-041***	2X20	15.2	21.8	20.2
10144518-061***	2X30	23.2	29.8	28.2
10144518-081***	2X40	31.2	37.8	36.2
10144518-101***	2X50	39.2	45.8	44.2
10144518-121***	2X60	47.2	53.8	52.2
10144518-141***	2X70	55.2	61.8	60.2



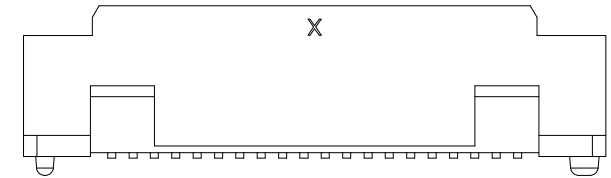
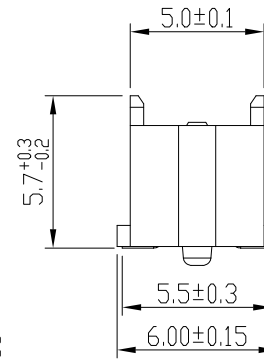
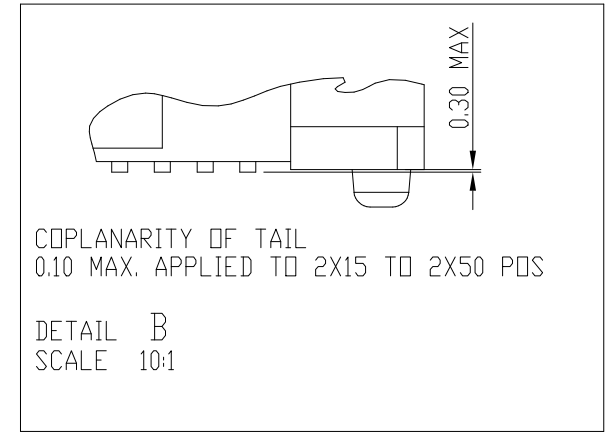
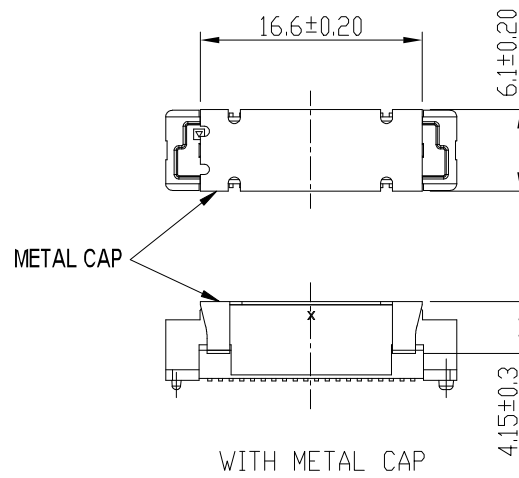
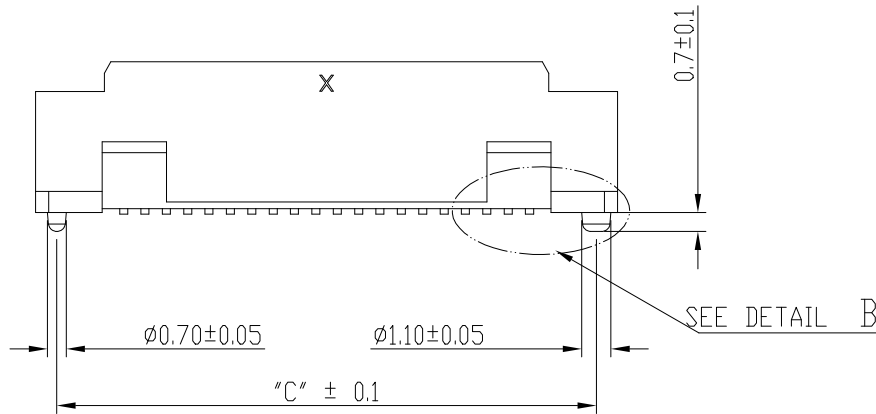
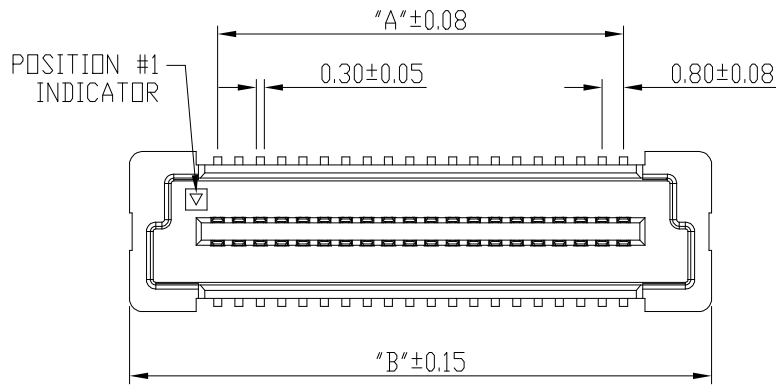
PLUG 1

mat'l. code		surface	tolerance	projection	product family
		ISO 1302 ✓	ISO 406 ISO 1101	mm	BERGSTAK
ltr	ecn no	dr	date	tolerances unless otherwise specified	title
E				linear	PLUG ASSY BERGSTAK 0.8MM
				angles	scale 1:1
				0°±3'	Amphenol FCI
				dr	Bob Gu 2017-07-05
				engr	Alan Ni 2022-03-24
				chr	LQ Lei 2022-03-24
				appd	Tim Yao 2022-03-24
sheet index	revision sheet	E	1~6	dwg no 10144518 sheet 2 of 6 size A3	
				type Product Customer Drawing	

Amphenol FCI

© 2016 AFCI

PRODUCT NO.	NO. OF POSITION	DIMENSION		
		A	B	C
10144518-032***	2X15	11.2	17.8	16.2
10144518-042***	2X20	15.2	21.8	20.2
10144518-062***	2X30	23.2	29.8	28.2
10144518-082***	2X40	31.2	37.8	36.2
10144518-102***	2X50	39.2	45.8	44.2



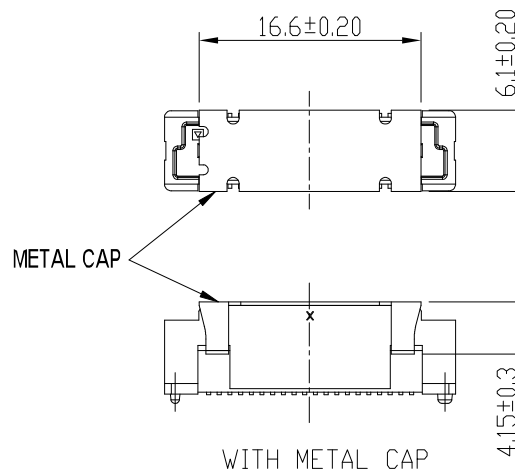
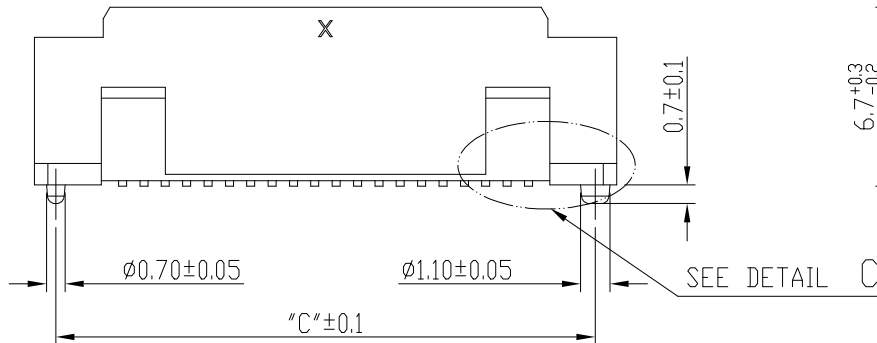
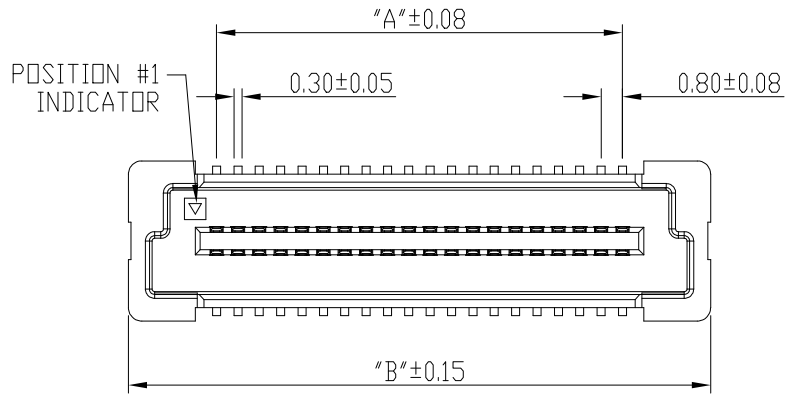
PLUG 2

mat'l. code		surface ISO 1302 ✓	tolerance ISO 406 ISO 1101	projection	product family BERGSTAK
ltr	ecn no	dr	date	tolerances unless otherwise specified	title
E				linear .0±.2 angular .00±.15 0°±3' .000±.10	PLUG ASSY BERGSTAK 0.8MM
				scale 1:1	dwg no sheet 3 of 6 size
				dr Bob Gu 2017-07-05	10144518 A3
				engr Alan Ni 2022-03-24	type Product Customer Drawing
				chr LQ Lei 2022-03-24	
				appd Tim Yao 2022-03-24	
sheet index	revision sheet	E	1~6		

Amphenol FCI
 © 2016 AFCI
 © 2016 AFCI

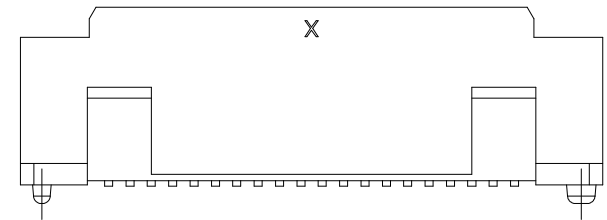


PRODUCT NO.	NO. OF POSITION	DIMENSION		
		A	B	C
10144518-043***	2X20	15.2	21.8	20.2
10144518-063***	2X30	23.2	29.8	28.2
10144518-083***	2X40	31.2	37.8	36.2
10144518-103***	2X50	39.2	45.8	44.2



COPLANARITY OF TAIL:
0.10 MAX. APPLIED TO 2X20 TO 2X50
PDS

DETAIL C
SCALE 10:1

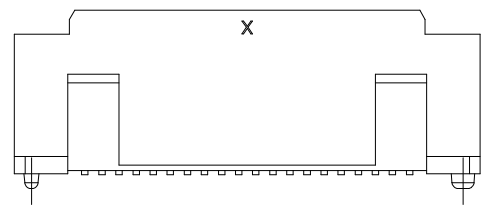
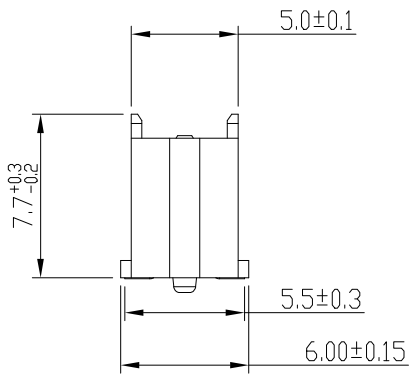
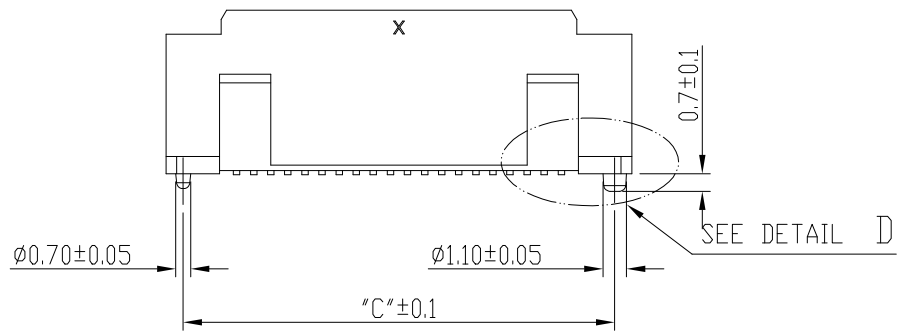
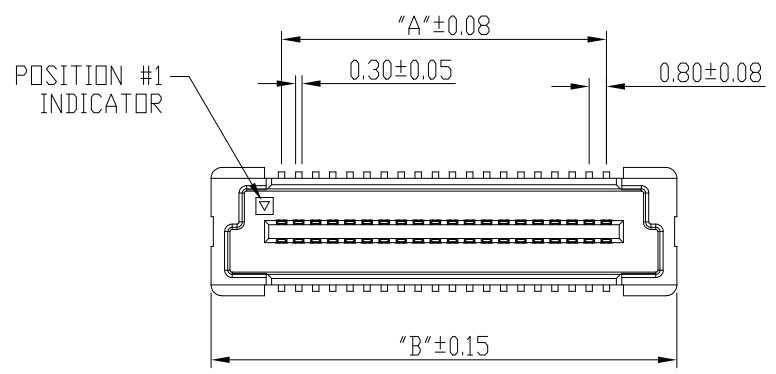
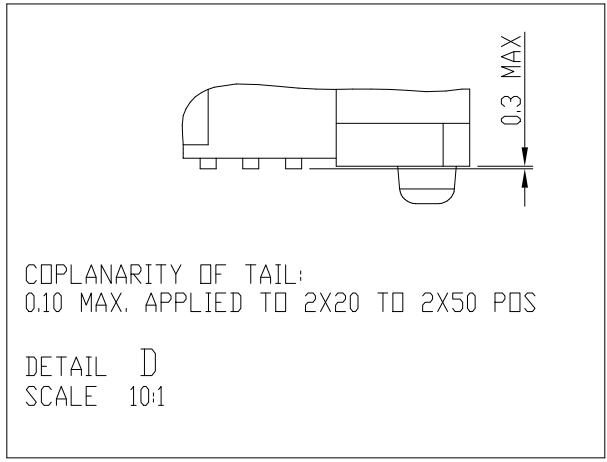
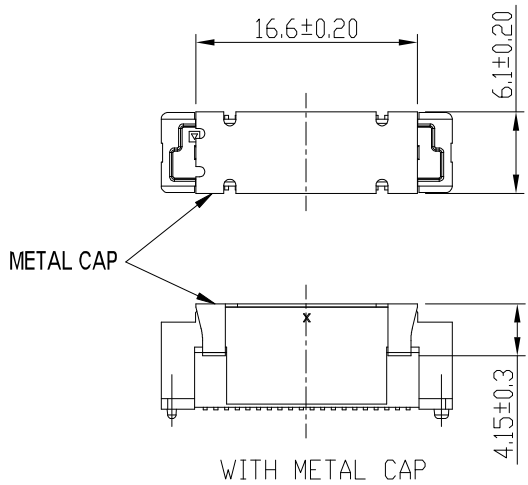


PLUG 3

mat'l. code		surface	tolerance	projection	product family
		ISO 1302 ✓	ISO 406 ISO 1101		BERGSTAK
ltr	ecn no	dr	date	tolerances unless otherwise specified	title
E				linear	PLUG ASSY BERGSTAK 0.8MM
				angles	mm
				0°±3'	scale 1:1
				dr	Bob Gu 2017-07-05
				enr	Alan Ni 2022-03-24
				chr	LQ Lei 2022-03-24
				appd	Tim Yao 2022-03-24
sheet index	revision sheet	E	1~6	Amphenol FCI	
				dwg no	sheet 4 of 6 size
				10144518	A3
				type	Product Customer Drawing

Amphenol FCI
 © 2016 AFCI

PRODUCT NO.	NO. OF POSITION	DIMENSION		
		A	B	C
10144518-044***	2X20	15.2	21.8	20.2
10144518-064***	2X30	23.2	29.8	28.2
10144518-084***	2X40	31.2	37.8	36.2
10144518-104***	2X50	39.2	45.8	44.2



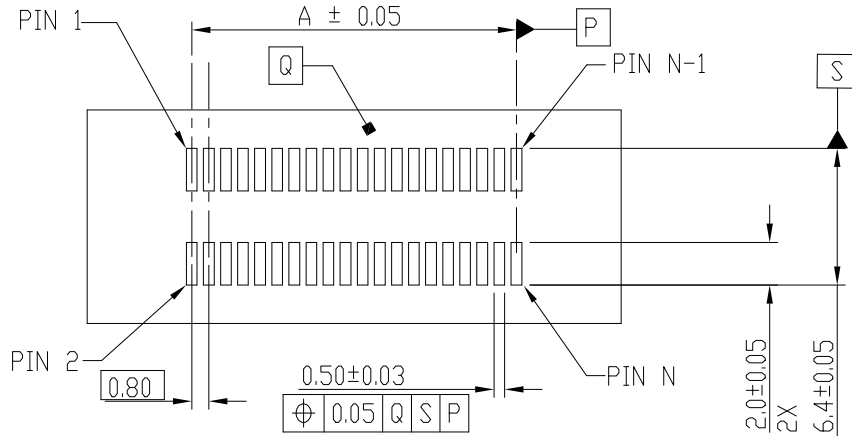
SEE DETAIL DD PLUG 4

mat'l. code		surface ISO 1302 ✓	tolerance ISO 406 ISO 1101	projection	product family BERGSTAK
ltr	ecn no	dr	date	tolerances unless otherwise specified	title
E				linear	PLUG ASSY BERGSTAK 0.8MM
				angles 0°±3'	dwg no 10144518
				dr Bob Gu 2017-07-05	sheet 5 of 6
				engr Alan Ni 2022-03-24	size A3
				chr LQ Lei 2022-03-24	Amphenol FCI
				appd Tim Yao 2022-03-24	type Product Customer Drawing
sheet index	revision sheet	E 1~6			

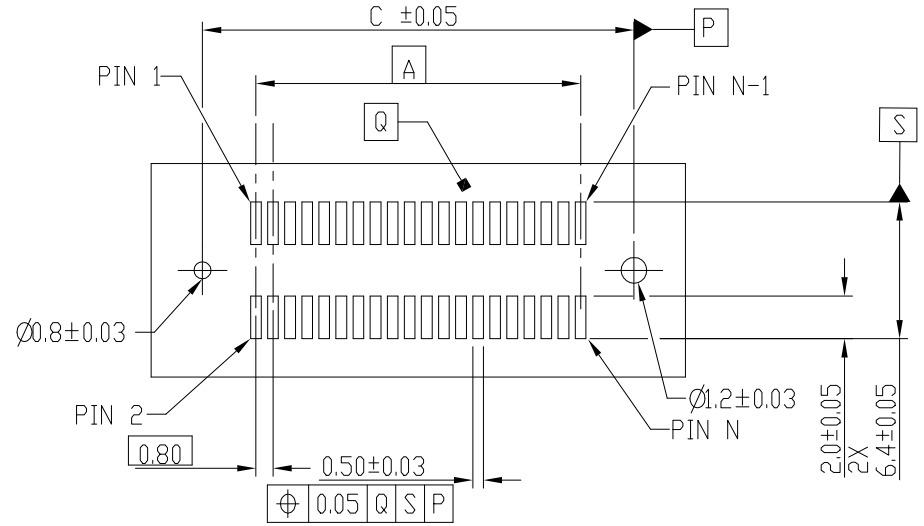
Amphenol FCI

© 2016 AFCI

FOR PLUG 1/2/3/4



RECOMMENDED PCB LAYOUT WITHOUT PEG AND HOLDDOWN FOR NO. OF PDS 2X15, 2X20, 2X30, 2X40, 2X50, 2X60, 2X70



RECOMMENDED PCB LAYOUT WITH PEG FOR NO. OF PDS 2X15, 2X20, 2X30, 2X40, 2X50, 2X60, 2X70

Amphenol FCI

© 2016 AFCI

mat'l. code		surface ISO 1302 ✓		tolerance ISO 406 ISO 1101		projection		product family BERGSTAK			
ltr	ecn no	dr	date	tolerances unless otherwise specified		mm		title			
E				angles	linear	mm		PLUG ASSY BERGSTAK 0.8MM			
				0°±3'		scale 1:1		dwg no sheet 6 of 6 size			
				dr	Bob Gu	2017-07-05	Amphenol FCI		10144518 A3		
				engr	Alan Ni	2022-03-24					
				chr	LQ Lei	2022-03-24					
				appd	Tim Yao	2022-03-24					
sheet index	revision sheet	E	1~6							type Product Customer Drawing	