

TMUX1136 5-V Low-Leakage-Current, 2:1, 2-Channel Precision Analog Switch

1 Features

- Wide supply range: 1.08 V to 5.5 V
- Low leakage current: 3 pA
- Low on-resistance: 2 Ω
- Low charge injection: -6 pC
- -40°C to +125°C operating temperature
- [1.8 V Logic compatible](#)
- [Fail-safe logic](#)
- [Rail-to-rail operation](#)
- [Bidirectional signal path](#)
- Break-before-make switching
- ESD protection HBM: 2000 V

2 Applications

- Ultrasound scanners
- Patient monitoring & diagnostics
- Blood glucose monitors
- Optical networking
- Optical test equipment
- Remote radio units
- Power amplifier switching
- Data acquisition systems
- ATE test equipment
- Factory automation and industrial controls
- Flow transmitters
- Programmable logic controllers (PLC)
- Analog input modules
- SONAR receivers
- Battery monitoring systems

3 Description

The TMUX1136 is a complementary metal-oxide semiconductor (CMOS) single-pole double-throw (2:1) switch with two independently controlled channels. Wide operating supply of 1.08 V to 5.5 V allows for use in a broad array of applications from medical equipment to industrial systems. The device supports bidirectional analog and digital signals on the source (Sx) and drain (Dx) pins ranging from GND to V_{DD} . All logic inputs have [1.8 V logic compatible](#) thresholds, ensuring both TTL and CMOS logic compatibility when operating in the valid supply voltage range. [Fail-Safe Logic](#) circuitry allows voltages on the control pins to be applied before the supply pin, protecting the device from potential damage.

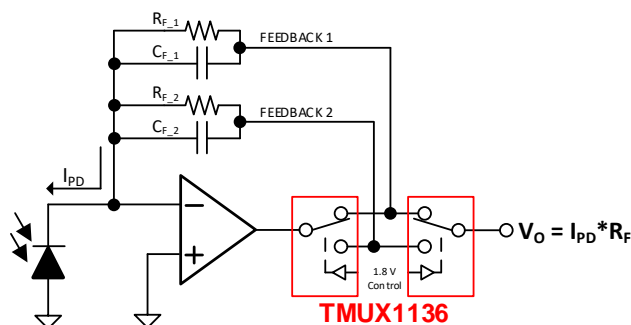
The TMUX1136 is part of the precision switches and multiplexers family of devices. These devices have very low on and off leakage currents and low charge injection, allowing them to be used in high precision measurement applications. A low supply current of 3 nA and small package options enable use in portable applications.

Device Information⁽¹⁾

PART NUMBER	PACKAGE	BODY SIZE (NOM)
TMUX1136	VSSOP (10) (DGS)	3.00 mm x 3.00 mm
	USON (10) (DQA)	2.50 mm x 1.00 mm

(1) For all available packages, see the package option addendum at the end of the data sheet.

Application Example



Block Diagram

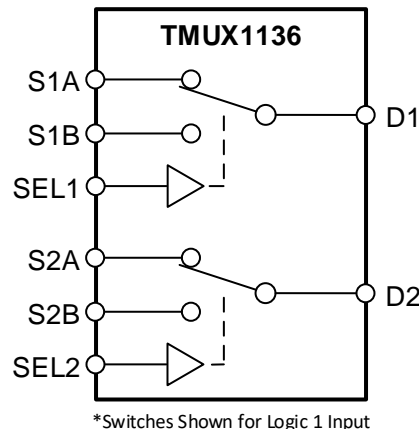


Table of Contents

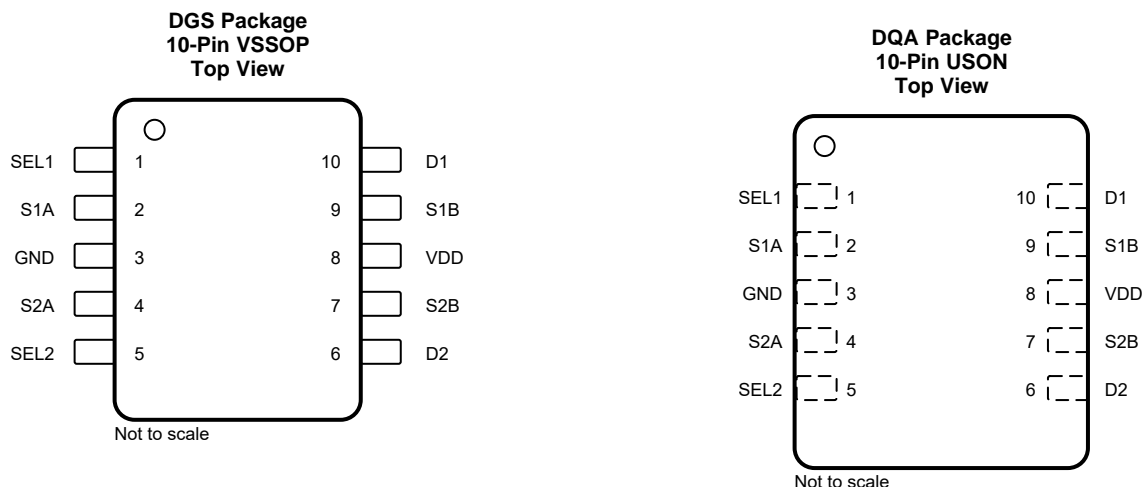
1 Features	1	7.9 Bandwidth	20
2 Applications	1	8 Detailed Description	21
3 Description	1	8.1 Functional Block Diagram	21
4 Revision History	2	8.2 Feature Description	21
5 Pin Configuration and Functions	3	8.3 Device Functional Modes	23
6 Specifications	4	9 Application and Implementation	24
6.1 Absolute Maximum Ratings	4	9.1 Application Information	24
6.2 ESD Ratings	4	9.2 Typical Application	24
6.3 Recommended Operating Conditions	4	9.3 Design Requirements	24
6.4 Thermal Information	4	9.4 Detailed Design Procedure	25
6.5 Electrical Characteristics ($V_{DD} = 5\text{ V} \pm 10\%$)	5	9.5 Application Curve	25
6.6 Electrical Characteristics ($V_{DD} = 3.3\text{ V} \pm 10\%$)	7	10 Power Supply Recommendations	26
6.7 Electrical Characteristics ($V_{DD} = 1.8\text{ V} \pm 10\%$)	9	11 Layout	26
6.8 Electrical Characteristics ($V_{DD} = 1.2\text{ V} \pm 10\%$)	11	11.1 Layout Guidelines	26
6.9 Typical Characteristics	13	11.2 Layout Example	27
7 Parameter Measurement Information	16	12 Device and Documentation Support	28
7.1 On-Resistance	16	12.1 Documentation Support	28
7.2 Off-Leakage Current	16	12.2 Related Links	28
7.3 On-Leakage Current	17	12.3 Receiving Notification of Documentation Updates	28
7.4 Transition Time	17	12.4 Community Resources	28
7.5 Break-Before-Make	18	12.5 Trademarks	28
7.6 Charge Injection	18	12.6 Electrostatic Discharge Caution	28
7.7 Off Isolation	19	12.7 Glossary	28
7.8 Crosstalk	19	13 Mechanical, Packaging, and Orderable Information	29

4 Revision History

NOTE: Page numbers for previous revisions may differ from page numbers in the current version.

Changes from Original (June 2019) to Revision A	Page
• Deleted the <i>Product Preview</i> note from the DQA package in the <i>Device Information</i> table	1
• Deleted the <i>Product Preview</i> note from the DQA package in the <i>Pin Configuration and Functions</i> section	3

5 Pin Configuration and Functions



Pin Functions

PIN		TYPE ⁽¹⁾	DESCRIPTION
NAME	VSSOP, USON		
SEL1	1	I	Select pin 1: controls state of switch #1 according to Table 1 . (Logic Low = S1B to D1, Logic High = S1A to D1)
S1A	2	I/O	Source pin 1A. Can be an input or output.
GND	3	P	Ground (0 V) reference
S2A	4	I/O	Source pin 2A. Can be an input or output.
SEL2	5	I	Select pin 2: controls state of switch #2 according to Table 1 . (Logic Low = S2B to D2, Logic High = S2A to D2)
D2	6	I/O	Drain pin 2. Can be an input or output.
S2B	7	I/O	Source pin 2B. Can be an input or output.
VDD	8	P	Positive power supply. This pin is the most positive power-supply potential. For reliable operation, connect a decoupling capacitor ranging from 0.1 μ F to 10 μ F between V_{DD} and GND.
S1B	9	I/O	Source pin 1B. Can be an input or output.
D1	10	I/O	Drain pin 1. Can be an input or output.

(1) I = input, O = output, I/O = input and output, P = power

6 Specifications

6.1 Absolute Maximum Ratings

over operating free-air temperature range (unless otherwise noted)⁽¹⁾⁽²⁾

		MIN	MAX	UNIT
V_{DD}	Supply voltage	-0.5	6	V
V_{SEL} or V_{EN}	Logic control input pin voltage (SELx)	-0.5	6	V
I_{SEL} or I_{EN}	Logic control input pin current (SELx)	-30	30	mA
V_S or V_D	Source or drain voltage (SxA, SxB, Dx)	-0.5	$V_{DD}+0.5$	V
I_S or I_D (CONT)	Source or drain continuous current (SxA, SxB, Dx)	-30	30	mA
T_{stg}	Storage temperature	-65	150	°C
T_J	Junction temperature		150	°C

- (1) Stresses beyond those listed under *Absolute Maximum Rating* may cause permanent damage to the device. These are stress ratings only, which do not imply functional operation of the device at these or any other conditions beyond those indicated under *Recommended Operating Condition*. Exposure to absolute-maximum-rated conditions for extended periods may affect device reliability.
- (2) The algebraic convention, whereby the most negative value is a minimum and the most positive value is a maximum.

6.2 ESD Ratings

			VALUE	UNIT
$V_{(ESD)}$	Electrostatic discharge	Human body model (HBM), per ANSI/ESDA/JEDEC JS-001, all pins ⁽¹⁾	±2000	V
		Charged device model (CDM), per JEDEC specification JESD22-C101 or ANSI/ESDA/JEDEC JS-002, all pins ⁽²⁾	±750	

- (1) JEDEC document JEP155 states that 500-V HBM allows safe manufacturing with a standard ESD control process.
- (2) JEDEC document JEP157 states that 250-V CDM allows safe manufacturing with a standard ESD control process.

6.3 Recommended Operating Conditions

over operating free-air temperature range (unless otherwise noted)

		MIN	NOM	MAX	UNIT
V_{DD}	Supply voltage	1.08		5.5	V
V_S or V_D	Signal path input/output voltage (source or drain pin) (SxA, SxB, Dx)	0		V_{DD}	V
V_{SEL}	Logic control input pin voltage (SELx)	0		5.5	V
T_A	Ambient temperature	-40		125	°C

6.4 Thermal Information

THERMAL METRIC ⁽¹⁾		TMUX1136		UNIT
		DGS (VSSOP)	DQA (USON)	
		10 PINS	10 PINS	
$R_{\theta JA}$	Junction-to-ambient thermal resistance	193.9	172.2	°C/W
$R_{\theta JC(top)}$	Junction-to-case (top) thermal resistance	83.1	79.3	°C/W
$R_{\theta JB}$	Junction-to-board thermal resistance	116.5	72.0	°C/W
Ψ_{JT}	Junction-to-top characterization parameter	22.0	9.0	°C/W
Ψ_{JB}	Junction-to-board characterization parameter	114.6	71.7	°C/W
$R_{\theta JC(bot)}$	Junction-to-case (bottom) thermal resistance	N/A	N/A	°C/W

- (1) For more information about traditional and new thermal metrics, see the [Semiconductor and IC Package Thermal Metrics](#) application report.

6.5 Electrical Characteristics ($V_{DD} = 5\text{ V} \pm 10\%$)

at $T_A = 25^\circ\text{C}$, $V_{DD} = 5\text{ V}$ (unless otherwise noted)

PARAMETER		TEST CONDITIONS	TA	MIN	TYP	MAX	UNIT
ANALOG SWITCH							
R_{ON}	On-resistance	$V_S = 0\text{ V to }V_{DD}$ $I_{SD} = 10\text{ mA}$ Refer to On-Resistance	25°C		2	4	Ω
			-40°C to +85°C			4.5	Ω
			-40°C to +125°C			4.9	Ω
ΔR_{ON}	On-resistance matching between channels	$V_S = 0\text{ V to }V_{DD}$ $I_{SD} = 10\text{ mA}$ Refer to On-Resistance	25°C		0.13		Ω
			-40°C to +85°C			0.4	Ω
			-40°C to +125°C			0.5	Ω
$R_{ON\text{ FLAT}}$	On-resistance flatness	$V_S = 0\text{ V to }V_{DD}$ $I_{SD} = 10\text{ mA}$ Refer to On-Resistance	25°C		0.85		Ω
			-40°C to +85°C			1.6	Ω
			-40°C to +125°C			1.6	Ω
$I_{S(OFF)}$	Source off leakage current ⁽¹⁾	$V_{DD} = 5\text{ V}$ Switch Off $V_D = 4.5\text{ V} / 1.5\text{ V}$ $V_S = 1.5\text{ V} / 4.5\text{ V}$ Refer to Off-Leakage Current	25°C	-0.08	± 0.005	0.08	nA
			-40°C to +85°C		-0.3	0.3	nA
			-40°C to +125°C		-0.9	0.9	nA
$I_{D(ON)}$ $I_{S(ON)}$	Channel on leakage current	$V_{DD} = 5\text{ V}$ Switch On $V_D = V_S = 2.5\text{ V}$ Refer to On-Leakage Current	25°C	-0.025	± 0.003	0.025	nA
			-40°C to +85°C		-0.3	0.3	nA
			-40°C to +125°C		-0.95	0.95	nA
$I_{D(ON)}$ $I_{S(ON)}$	Channel on leakage current	$V_{DD} = 5\text{ V}$ Switch On $V_D = V_S = 4.5\text{ V} / 1.5\text{ V}$ Refer to On-Leakage Current	25°C	-0.1	± 0.01	0.1	nA
			-40°C to +85°C		-0.35	0.35	nA
			-40°C to +125°C		-2	2	nA
LOGIC INPUTS (SELx)							
V_{IH}	Input logic high		-40°C to +125°C	1.49		5.5	V
V_{IL}	Input logic low		-40°C to +125°C	0		0.87	V
I_{IH} I_{IL}	Input leakage current		25°C		± 0.005		μA
I_{IH} I_{IL}	Input leakage current		-40°C to +125°C			± 0.05	μA
C_{IN}	Logic input capacitance		25°C		1		pF
C_{IN}	Logic input capacitance		-40°C to +125°C			2	pF
POWER SUPPLY							
I_{DD}	V_{DD} supply current	Logic inputs = 0 V or 5.5 V	25°C		0.003		μA
			-40°C to +125°C			1	μA

(1) When V_S is 4.5 V, V_D is 1.5 V or when V_S is 1.5 V, V_D is 4.5 V.

Electrical Characteristics ($V_{DD} = 5\text{ V} \pm 10\%$) (continued)

 at $T_A = 25^\circ\text{C}$, $V_{DD} = 5\text{ V}$ (unless otherwise noted)

PARAMETER		TEST CONDITIONS	TA	MIN	TYP	MAX	UNIT
DYNAMIC CHARACTERISTICS							
t_{TRAN}	Switching time between channels	$V_S = 3\text{ V}$ $R_L = 200\ \Omega$, $C_L = 15\text{ pF}$ Refer to Transition Time	25°C		12		ns
			–40°C to +85°C			18	ns
			–40°C to +125°C			19	ns
t_{OPEN} (BBM)	Break before make time	$V_S = 3\text{ V}$ $R_L = 200\ \Omega$, $C_L = 15\text{ pF}$ Refer to Break-Before-Make	25°C		8		ns
			–40°C to +85°C		1		ns
			–40°C to +125°C		1		ns
Q_C	Charge Injection	$V_D = 1\text{ V}$ $R_S = 0\ \Omega$, $C_L = 1\text{ nF}$ Refer to Charge Injection	25°C		–6		pC
O_{ISO}	Off Isolation	$R_L = 50\ \Omega$, $C_L = 5\text{ pF}$ $f = 1\text{ MHz}$ Refer to Off Isolation	25°C		–65		dB
			$R_L = 50\ \Omega$, $C_L = 5\text{ pF}$ $f = 10\text{ MHz}$ Refer to Off Isolation	25°C		–45	
X_{TALK}	Crosstalk	$R_L = 50\ \Omega$, $C_L = 5\text{ pF}$ $f = 1\text{ MHz}$ Refer to Crosstalk	25°C		–100		dB
			$R_L = 50\ \Omega$, $C_L = 5\text{ pF}$ $f = 10\text{ MHz}$ Refer to Crosstalk	25°C		–80	
BW	Bandwidth	$R_L = 50\ \Omega$, $C_L = 5\text{ pF}$ Refer to Bandwidth	25°C		220		MHz
C_{SOFF}	Source off capacitance	$f = 1\text{ MHz}$	25°C		6		pF
C_{SON} C_{DON}	On capacitance	$f = 1\text{ MHz}$	25°C		20		pF

6.6 Electrical Characteristics ($V_{DD} = 3.3\text{ V} \pm 10\%$)

at $T_A = 25^\circ\text{C}$, $V_{DD} = 3.3\text{ V}$ (unless otherwise noted)

PARAMETER		TEST CONDITIONS	TA	MIN	TYP	MAX	UNIT
ANALOG SWITCH							
R_{ON}	On-resistance	$V_S = 0\text{ V to }V_{DD}$ $I_{SD} = 10\text{ mA}$ Refer to On-Resistance	25°C	3.7	8.8		Ω
			-40°C to +85°C			9.5	Ω
			-40°C to +125°C			9.8	Ω
ΔR_{ON}	On-resistance matching between channels	$V_S = 0\text{ V to }V_{DD}$ $I_{SD} = 10\text{ mA}$ Refer to On-Resistance	25°C	0.13			Ω
			-40°C to +85°C			0.4	Ω
			-40°C to +125°C			0.5	Ω
R_{ON} FLAT	On-resistance flatness	$V_S = 0\text{ V to }V_{DD}$ $I_{SD} = 10\text{ mA}$ Refer to On-Resistance	25°C	1.9			Ω
			-40°C to +85°C			2	Ω
			-40°C to +125°C			2.2	Ω
$I_{S(OFF)}$	Source off leakage current ⁽¹⁾	$V_{DD} = 3.3\text{ V}$ Switch Off $V_D = 3\text{ V} / 1\text{ V}$ $V_S = 1\text{ V} / 3\text{ V}$ Refer to Off-Leakage Current	25°C	-0.05	± 0.001	0.05	nA
			-40°C to +85°C			0.1	nA
			-40°C to +125°C			0.5	nA
$I_{D(ON)}$ $I_{S(ON)}$	Channel on leakage current	$V_{DD} = 3.3\text{ V}$ Switch On $V_D = V_S = 3\text{ V} / 1\text{ V}$ Refer to On-Leakage Current	25°C	-0.1	± 0.005	0.1	nA
			-40°C to +85°C			0.35	nA
			-40°C to +125°C			2	nA
LOGIC INPUTS (SELx)							
V_{IH}	Input logic high		-40°C to +125°C	1.35		5.5	V
V_{IL}	Input logic low		-40°C to +125°C	0		0.8	V
I_{IH} I_{IL}	Input leakage current		25°C	± 0.005			μA
			-40°C to 125°C			± 0.05	μA
C_{IN}	Logic input capacitance		25°C	1			pF
C_{IN}	Logic input capacitance		-40°C to +125°C			2	pF
POWER SUPPLY							
I_{DD}	V_{DD} supply current	Logic inputs = 0 V or 5.5 V	25°C	0.003			μA
			-40°C to +125°C			0.8	μA

(1) When V_S is 3 V, V_D is 1 V or when V_S is 1 V, V_D is 3 V.

Electrical Characteristics ($V_{DD} = 3.3\text{ V} \pm 10\%$) (continued)

 at $T_A = 25^\circ\text{C}$, $V_{DD} = 3.3\text{ V}$ (unless otherwise noted)

PARAMETER		TEST CONDITIONS	TA	MIN	TYP	MAX	UNIT
DYNAMIC CHARACTERISTICS							
t_{TRAN}	Switching time between channels	$V_S = 2\text{ V}$ $R_L = 200\ \Omega$, $C_L = 15\text{ pF}$ Refer to Transition Time	25°C	14			ns
			–40°C to +85°C			20	ns
			–40°C to +125°C			21	ns
t_{OPEN} (BBM)	Break before make time	$V_S = 2\text{ V}$ $R_L = 200\ \Omega$, $C_L = 15\text{ pF}$ Refer to Break-Before-Make	25°C	9			ns
			–40°C to +85°C	1			ns
			–40°C to +125°C	1			ns
Q_C	Charge Injection	$V_D = 1\text{ V}$ $R_S = 0\ \Omega$, $C_L = 1\text{ nF}$ Refer to Charge Injection	25°C		–6		pC
O_{ISO}	Off Isolation	$R_L = 50\ \Omega$, $C_L = 5\text{ pF}$ $f = 1\text{ MHz}$ Refer to Off Isolation	25°C		–65		dB
			$R_L = 50\ \Omega$, $C_L = 5\text{ pF}$ $f = 10\text{ MHz}$ Refer to Off Isolation	25°C		–45	
X_{TALK}	Crosstalk	$R_L = 50\ \Omega$, $C_L = 5\text{ pF}$ $f = 1\text{ MHz}$ Refer to Crosstalk	25°C		–100		dB
			$R_L = 50\ \Omega$, $C_L = 5\text{ pF}$ $f = 10\text{ MHz}$ Refer to Crosstalk	25°C		–80	
BW	Bandwidth	$R_L = 50\ \Omega$, $C_L = 5\text{ pF}$ Refer to Bandwidth	25°C		220		MHz
C_{SOFF}	Source off capacitance	$f = 1\text{ MHz}$	25°C		6		pF
C_{SON} C_{DON}	On capacitance	$f = 1\text{ MHz}$	25°C		20		pF

6.7 Electrical Characteristics ($V_{DD} = 1.8\text{ V} \pm 10\%$)

at $T_A = 25^\circ\text{C}$, $V_{DD} = 1.8\text{ V}$ (unless otherwise noted)

PARAMETER		TEST CONDITIONS	TA	MIN	TYP	MAX	UNIT	
ANALOG SWITCH								
R_{ON}	On-resistance	$V_S = 0\text{ V to }V_{DD}$ $I_{SD} = 10\text{ mA}$ Refer to On-Resistance	25°C	40			Ω	
			–40°C to +85°C			80	Ω	
			–40°C to +125°C			80	Ω	
ΔR_{ON}	On-resistance matching between channels	$V_S = 0\text{ V to }V_{DD}$ $I_{SD} = 10\text{ mA}$ Refer to On-Resistance	25°C	0.4			Ω	
			–40°C to +85°C			1.5	Ω	
			–40°C to +125°C			1.5	Ω	
$I_{S(OFF)}$	Source off leakage current ⁽¹⁾	$V_{DD} = 1.98\text{ V}$ Switch Off $V_D = 1.62\text{ V} / 1\text{ V}$ $V_S = 1\text{ V} / 1.62\text{ V}$ Refer to Off-Leakage Current	25°C	–0.05	± 0.003	0.05	nA	
			–40°C to +85°C			–0.1	0.1	nA
			–40°C to +125°C			–0.5	0.5	nA
$I_{D(ON)}$ $I_{S(ON)}$	Channel on leakage current	$V_{DD} = 1.98\text{ V}$ Switch On $V_D = V_S = 1.62\text{ V} / 1\text{ V}$ Refer to On-Leakage Current	25°C	–0.1	± 0.005	0.1	nA	
			–40°C to +85°C			–0.5	0.5	nA
			–40°C to +125°C			–2	2	nA
LOGIC INPUTS (SELx)								
V_{IH}	Input logic high		–40°C to +125°C	1.07		5.5	V	
V_{IL}	Input logic low		–40°C to +125°C	0		0.68	V	
I_{IH} I_{IL}	Input leakage current		25°C	± 0.005			μA	
			–40°C to +125°C			± 0.05	μA	
C_{IN}	Logic input capacitance		25°C	1			pF	
C_{IN}	Logic input capacitance		–40°C to +125°C			2	pF	
POWER SUPPLY								
I_{DD}	V_{DD} supply current	Logic inputs = 0 V or 5.5 V	25°C	0.001			μA	
			–40°C to +125°C			0.85	μA	

(1) When V_S is 1.62 V, V_D is 1 V or when V_S is 1 V, V_D is 1.62 V.

Electrical Characteristics ($V_{DD} = 1.8\text{ V} \pm 10\%$) (continued)

 at $T_A = 25^\circ\text{C}$, $V_{DD} = 1.8\text{ V}$ (unless otherwise noted)

PARAMETER		TEST CONDITIONS	TA	MIN	TYP	MAX	UNIT
DYNAMIC CHARACTERISTICS							
t_{TRAN}	Transition time between channels	$V_S = 1\text{ V}$ $R_L = 200\ \Omega$, $C_L = 15\text{ pF}$ Refer to Transition Time	25°C		28		ns
			–40°C to +85°C			44	ns
			–40°C to +125°C			44	ns
t_{OPEN} (BBM)	Break before make time	$V_S = 1\text{ V}$ $R_L = 200\ \Omega$, $C_L = 15\text{ pF}$ Refer to Break-Before-Make	25°C		16		ns
			–40°C to +85°C		1		ns
			–40°C to +125°C		1		ns
Q_C	Charge Injection	$V_D = 1\text{ V}$ $R_S = 0\ \Omega$, $C_L = 1\text{ nF}$ Refer to Charge Injection	25°C		–3		pC
O_{ISO}	Off Isolation	$R_L = 50\ \Omega$, $C_L = 5\text{ pF}$ $f = 1\text{ MHz}$ Refer to Off Isolation	25°C		–65		dB
			$R_L = 50\ \Omega$, $C_L = 5\text{ pF}$ $f = 10\text{ MHz}$ Refer to Off Isolation	25°C		–45	
X_{TALK}	Crosstalk	$R_L = 50\ \Omega$, $C_L = 5\text{ pF}$ $f = 1\text{ MHz}$ Refer to Crosstalk	25°C		–100		dB
			$R_L = 50\ \Omega$, $C_L = 5\text{ pF}$ $f = 10\text{ MHz}$ Refer to Crosstalk	25°C		–80	
BW	Bandwidth	$R_L = 50\ \Omega$, $C_L = 5\text{ pF}$	25°C		220		MHz
C_{SOFF}	Source off capacitance	$f = 1\text{ MHz}$	25°C		6		pF
C_{SON} C_{DON}	On capacitance	$f = 1\text{ MHz}$	25°C		20		pF

6.8 Electrical Characteristics ($V_{DD} = 1.2\text{ V} \pm 10\%$)

at $T_A = 25^\circ\text{C}$, $V_{DD} = 1.2\text{ V}$ (unless otherwise noted)

PARAMETER		TEST CONDITIONS	TA	MIN	TYP	MAX	UNIT	
ANALOG SWITCH								
R_{ON}	On-resistance	$V_S = 0\text{ V to }V_{DD}$ $I_{SD} = 10\text{ mA}$ Refer to On-Resistance	25°C	70			Ω	
			-40°C to +85°C			105	Ω	
			-40°C to +125°C			105	Ω	
ΔR_{ON}	On-resistance matching between channels	$V_S = 0\text{ V to }V_{DD}$ $I_{SD} = 10\text{ mA}$ Refer to On-Resistance	25°C	0.4			Ω	
			-40°C to +85°C			1.5	Ω	
			-40°C to +125°C			1.5	Ω	
$I_{S(OFF)}$	Source off leakage current ⁽¹⁾	$V_{DD} = 1.32\text{ V}$ Switch Off $V_D = 1\text{ V} / 0.8\text{ V}$ $V_S = 0.8\text{ V} / 1\text{ V}$ Refer to Off-Leakage Current	25°C	-0.05	± 0.003	0.05	nA	
			-40°C to +85°C		-0.1		0.1	nA
			-40°C to +125°C		-0.5		0.5	nA
$I_{D(ON)}$ $I_{S(ON)}$	Channel on leakage current	$V_{DD} = 1.32\text{ V}$ Switch On $V_D = V_S = 1\text{ V} / 0.8\text{ V}$ Refer to On-Leakage Current	25°C	-0.1	± 0.005	0.1	nA	
			-40°C to +85°C		-0.5		0.5	nA
			-40°C to +125°C		-2		2	nA
LOGIC INPUTS (SELx)								
V_{IH}	Input logic high		-40°C to +125°C	0.96		5.5	V	
V_{IL}	Input logic low		-40°C to +125°C	0		0.36	V	
I_{IH} I_{IL}	Input leakage current		25°C	± 0.005			μA	
			-40°C to +125°C			± 0.05	μA	
C_{IN}	Logic input capacitance		25°C	1			pF	
C_{IN}	Logic input capacitance		-40°C to +125°C			2	pF	
POWER SUPPLY								
I_{DD}	V_{DD} supply current	Logic inputs = 0 V or 5.5 V	25°C	0.003			μA	
			-40°C to +125°C			0.7	μA	

(1) When V_S is 1 V, V_D is 0.8 V or when V_S is 0.8 V, V_D is 1 V.

Electrical Characteristics ($V_{DD} = 1.2\text{ V} \pm 10\%$) (continued)

 at $T_A = 25^\circ\text{C}$, $V_{DD} = 1.2\text{ V}$ (unless otherwise noted)

PARAMETER		TEST CONDITIONS	TA	MIN	TYP	MAX	UNIT
DYNAMIC CHARACTERISTICS							
t_{TRAN}	Transition time between channels	$V_S = 1\text{ V}$ $R_L = 200\ \Omega$, $C_L = 15\text{ pF}$ Refer to Transition Time	25°C		55		ns
			–40°C to +85°C			190	ns
			–40°C to +125°C			190	ns
t_{OPEN} (BBM)	Break before make time	$V_S = 1\text{ V}$ $R_L = 200\ \Omega$, $C_L = 15\text{ pF}$ Refer to Break-Before-Make	25°C		28		ns
			–40°C to +85°C		1		ns
			–40°C to +125°C		1		ns
Q_C	Charge Injection	$V_D = 1\text{ V}$ $R_S = 0\ \Omega$, $C_L = 1\text{ nF}$ Refer to Charge Injection	25°C		–2		pC
O_{ISO}	Off Isolation	$R_L = 50\ \Omega$, $C_L = 5\text{ pF}$ $f = 1\text{ MHz}$ Refer to Off Isolation	25°C		–65		dB
		$R_L = 50\ \Omega$, $C_L = 5\text{ pF}$ $f = 10\text{ MHz}$ Refer to Off Isolation	25°C		–45		dB
X_{TALK}	Crosstalk	$R_L = 50\ \Omega$, $C_L = 5\text{ pF}$ $f = 1\text{ MHz}$ Refer to Crosstalk	25°C		–100		dB
		$R_L = 50\ \Omega$, $C_L = 5\text{ pF}$ $f = 10\text{ MHz}$ Refer to Crosstalk	25°C		–80		dB
BW	Bandwidth	$R_L = 50\ \Omega$, $C_L = 5\text{ pF}$	25°C		220		MHz
C_{SOFF}	Source off capacitance	$f = 1\text{ MHz}$	25°C		6		pF
C_{SON} C_{DON}	On capacitance	$f = 1\text{ MHz}$	25°C		20		pF

6.9 Typical Characteristics

at $T_A = 25^\circ\text{C}$, $V_{DD} = 5\text{ V}$ (unless otherwise noted)

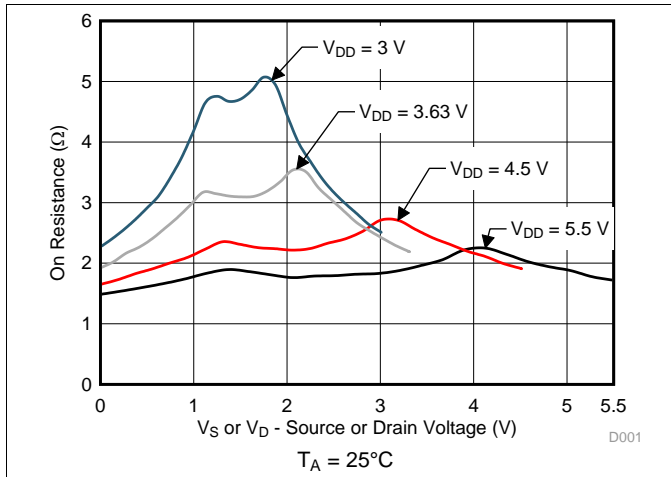


Figure 1. On-Resistance vs Source or Drain Voltage

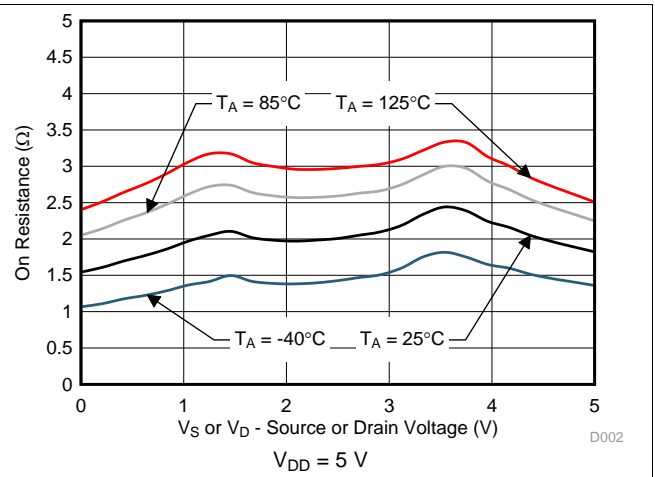


Figure 2. On-Resistance vs Temperature

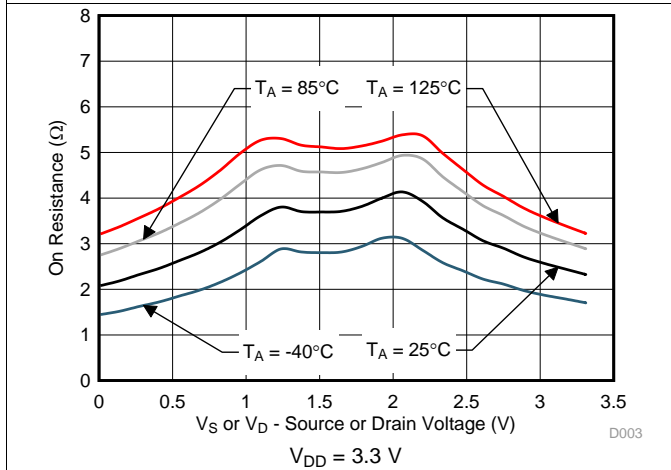


Figure 3. On-Resistance vs Temperature

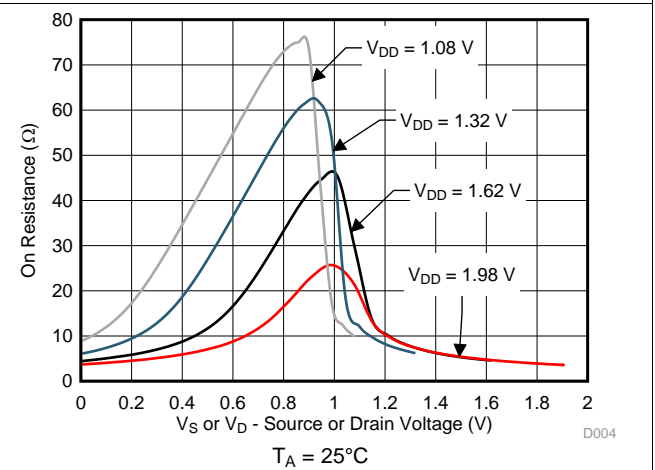


Figure 4. On-Resistance vs Source or Drain Voltage

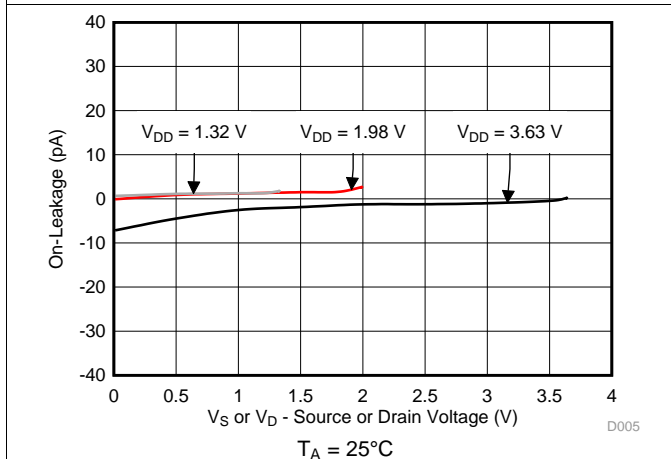


Figure 5. On-Leakage vs Source or Drain Voltage

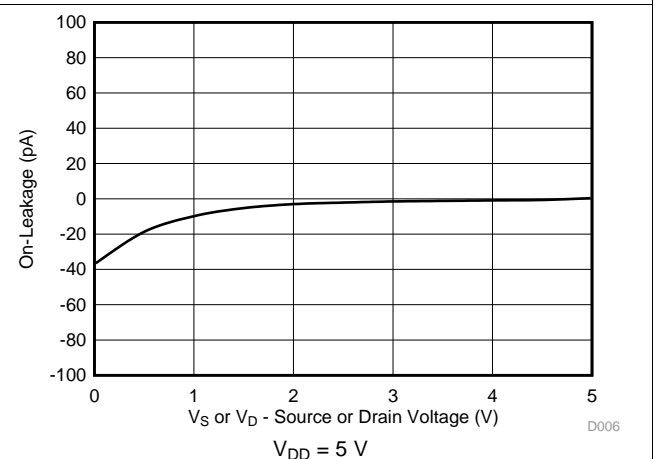


Figure 6. On-Leakage vs Source or Drain Voltage

Typical Characteristics (continued)

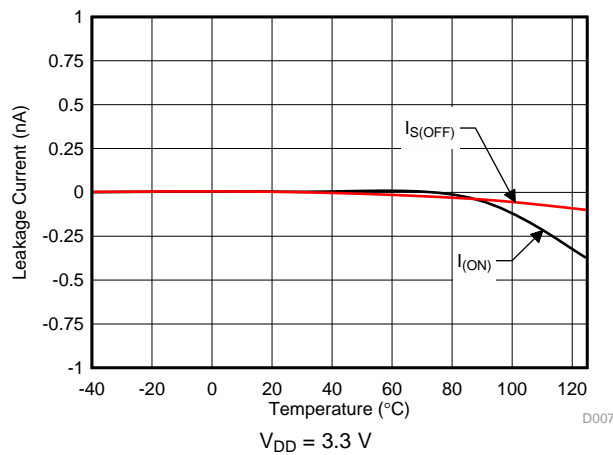


Figure 7. Leakage Current vs Temperature

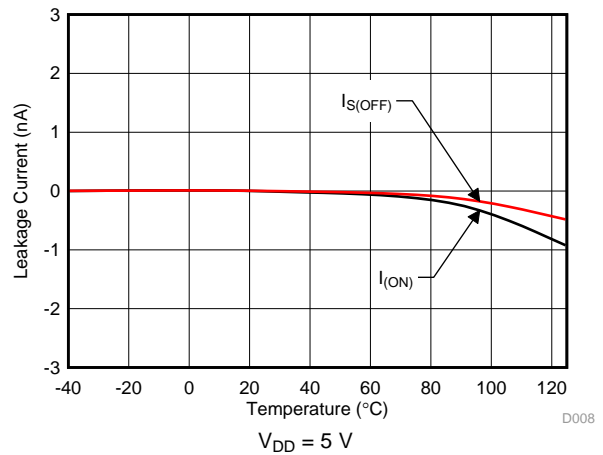


Figure 8. Leakage Current vs Temperature

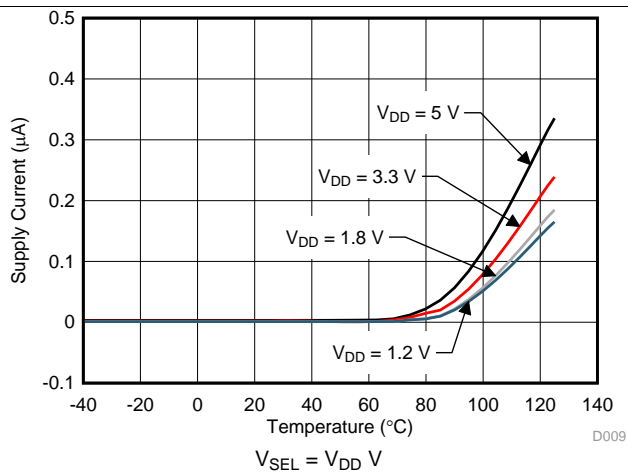


Figure 9. Supply Current vs Temperature

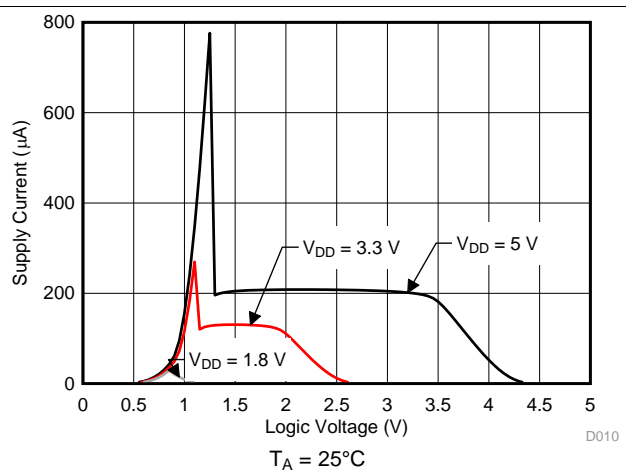


Figure 10. Supply Current vs Logic Voltage

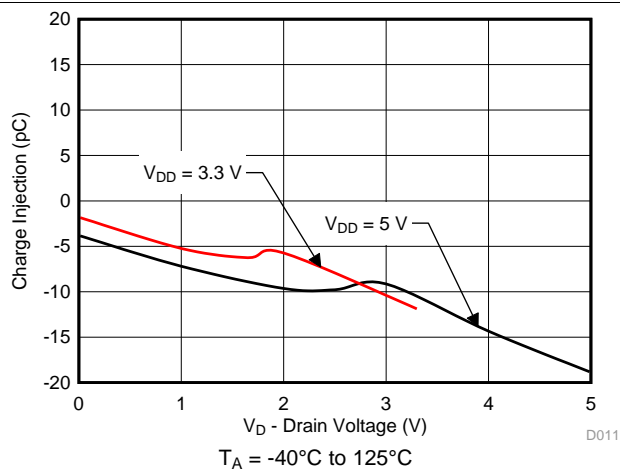


Figure 11. Charge Injection vs Drain Voltage

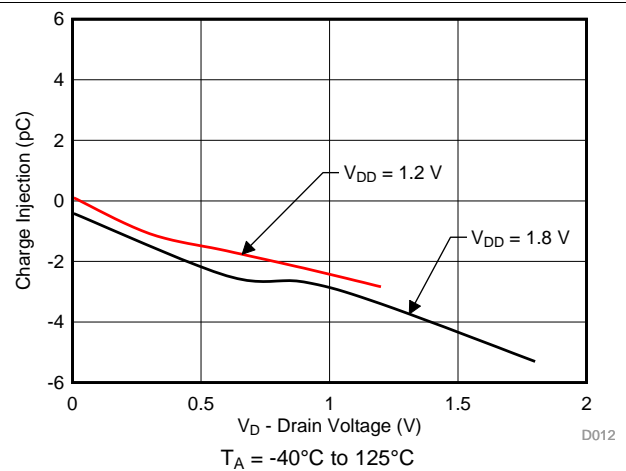


Figure 12. Charge Injection vs Drain Voltage

Typical Characteristics (continued)

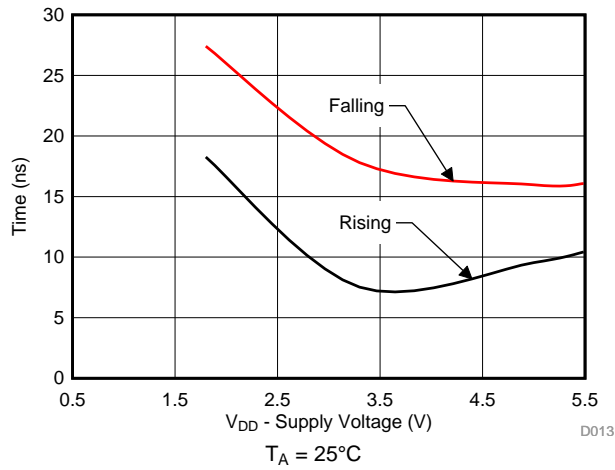


Figure 13. Output $T_{\text{TRANSITION}}$ vs Supply Voltage

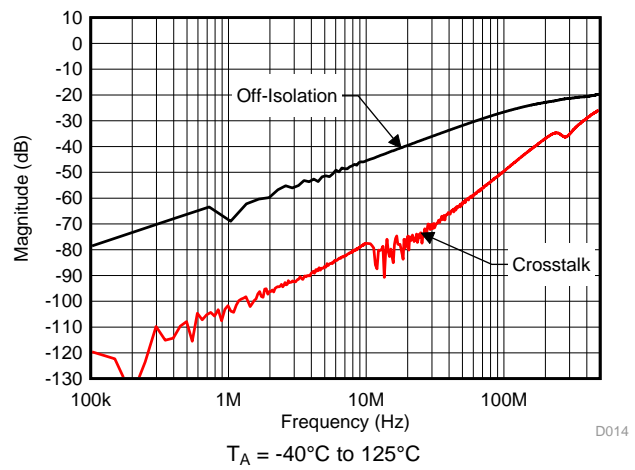


Figure 14. Xtalk and Off-Isolation vs Frequency

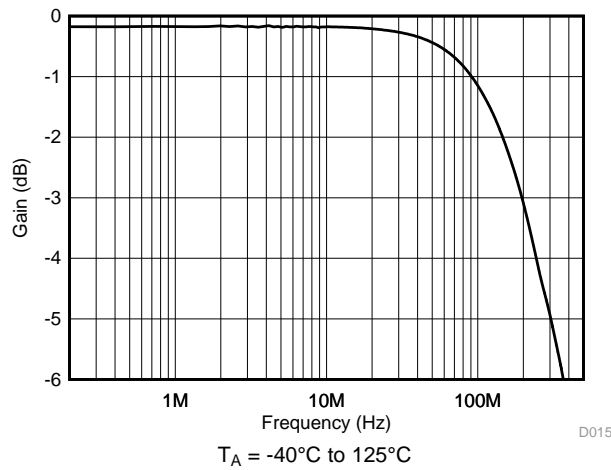


Figure 15. On Response vs Frequency

7 Parameter Measurement Information

7.1 On-Resistance

The on-resistance of a device is the ohmic resistance between the source (Sx) and drain (Dx) pins of the device. The on-resistance varies with input voltage and supply voltage. The symbol R_{ON} is used to denote on-resistance. The measurement setup used to measure R_{ON} is shown in Figure 16. Voltage (V) and current (I_{SD}) are measured using this setup, and R_{ON} is computed with $R_{ON} = V / I_{SD}$:

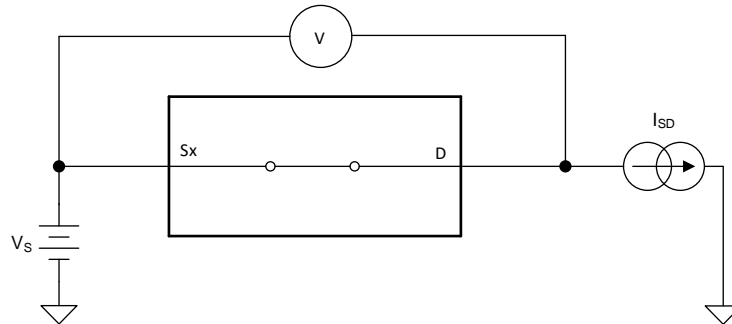


Figure 16. On-Resistance Measurement Setup

7.2 Off-Leakage Current

Source off-leakage current is defined as the leakage current flowing into or out of the source pin when the switch is off. This current is denoted by the symbol $I_{S(OFF)}$.

The setup used to measure off-leakage current is shown in Figure 17.

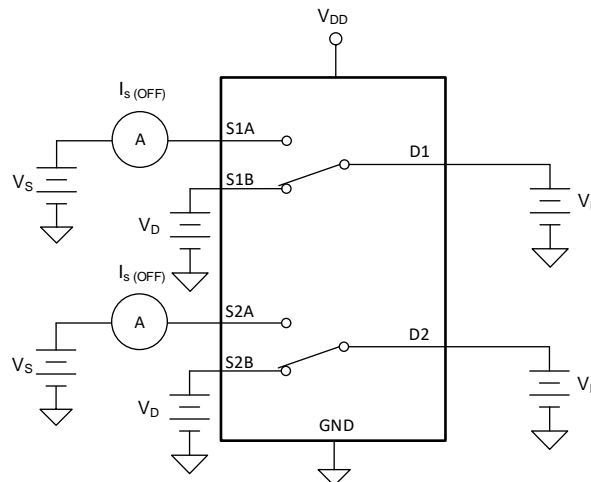


Figure 17. Off-Leakage Measurement Setup

7.3 On-Leakage Current

Source on-leakage current is defined as the leakage current flowing into or out of the source pin when the switch is on. This current is denoted by the symbol $I_{S(ON)}$.

Drain on-leakage current is defined as the leakage current flowing into or out of the drain pin when the switch is on. This current is denoted by the symbol $I_{D(ON)}$.

Either the source pin or drain pin is left floating during the measurement. Figure 18 shows the circuit used for measuring the on-leakage current, denoted by $I_{S(ON)}$ or $I_{D(ON)}$.

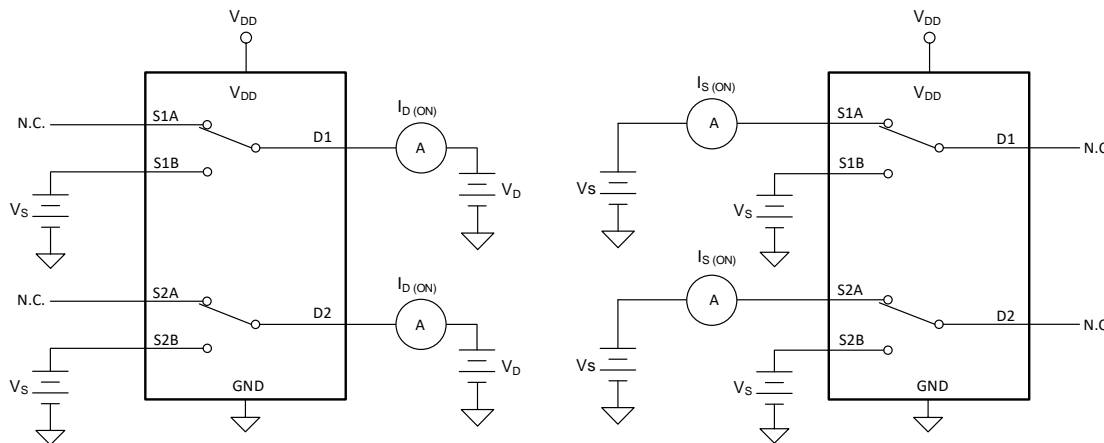


Figure 18. On-Leakage Measurement Setup

7.4 Transition Time

Transition time is defined as the time taken by the output of the device to rise or fall 10% after the control signal has risen or fallen past the logic threshold. The 10% transition measurement is utilized to provide the timing of the device. System level timing can then account for the time constant added from the load resistance and load capacitance. Figure 19 shows the setup used to measure transition time, denoted by the symbol $t_{TRANSITION}$.

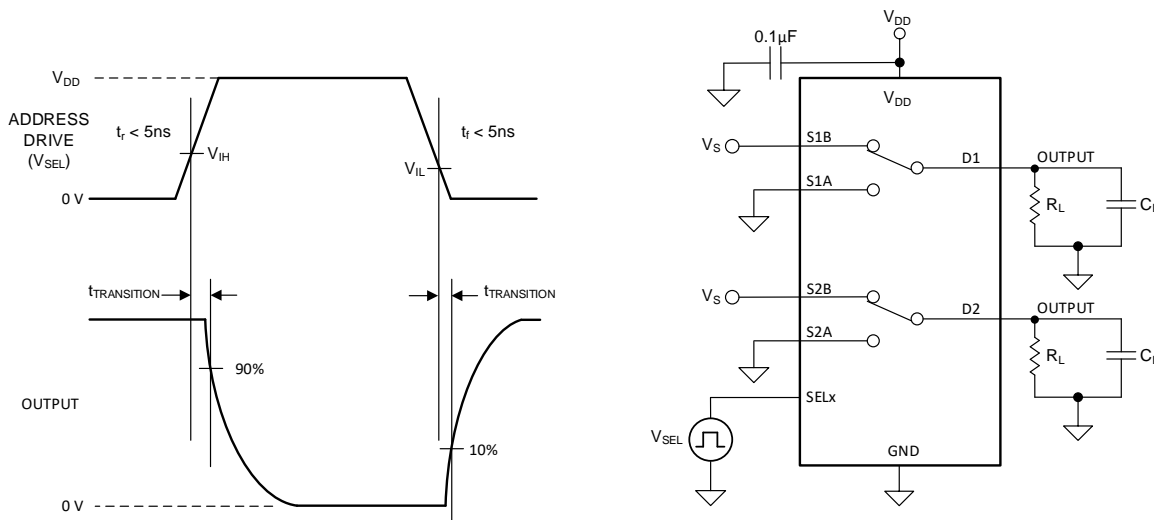


Figure 19. Transition-Time Measurement Setup

7.5 Break-Before-Make

Break-before-make delay is a safety feature that prevents two inputs from connecting when the device is switching. The output first breaks from the on-state switch before making the connection with the next on-state switch. The time delay between the *break* and the *make* is known as break-before-make delay. Figure 20 shows the setup used to measure break-before-make delay, denoted by the symbol $t_{OPEN(BBM)}$.

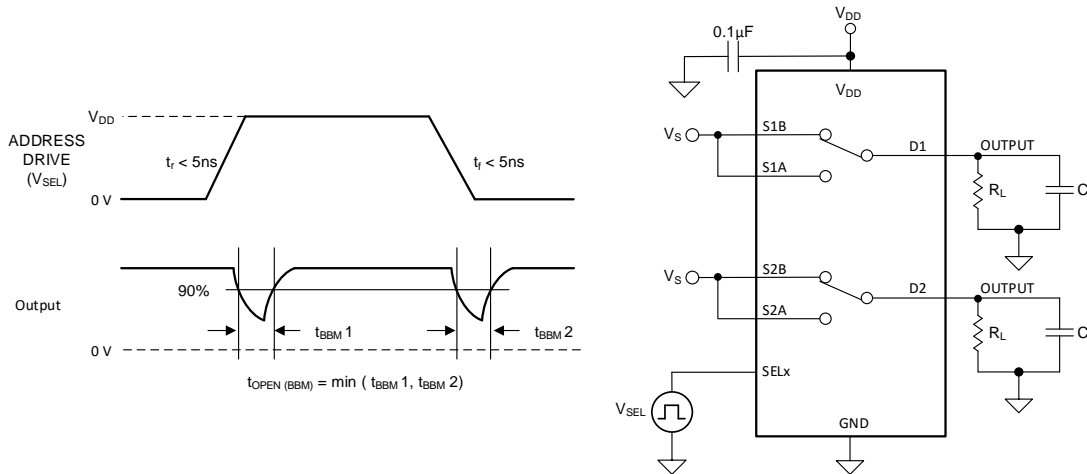


Figure 20. Break-Before-Make Delay Measurement Setup

7.6 Charge Injection

The TMUX1136 has a transmission-gate topology. Any mismatch in capacitance between the NMOS and PMOS transistors results in a charge injected into the drain or source during the falling or rising edge of the gate signal. The amount of charge injected into the source or drain of the device is known as charge injection, and is denoted by the symbol Q_C . Figure 21 shows the setup used to measure charge injection from Drain (D) to Source (Sx).

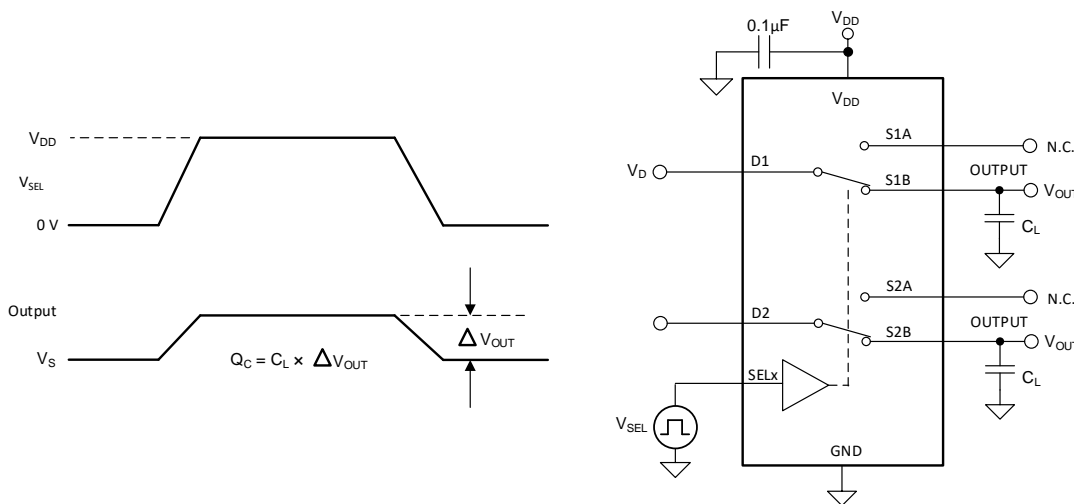


Figure 21. Charge-Injection Measurement Setup

7.7 Off Isolation

Off isolation is defined as the ratio of the signal at the drain pin (D) of the device when a signal is applied to the source pin (Sx) of an off-channel. Figure 22 shows the setup used to measure, and the equation used to calculate off isolation.

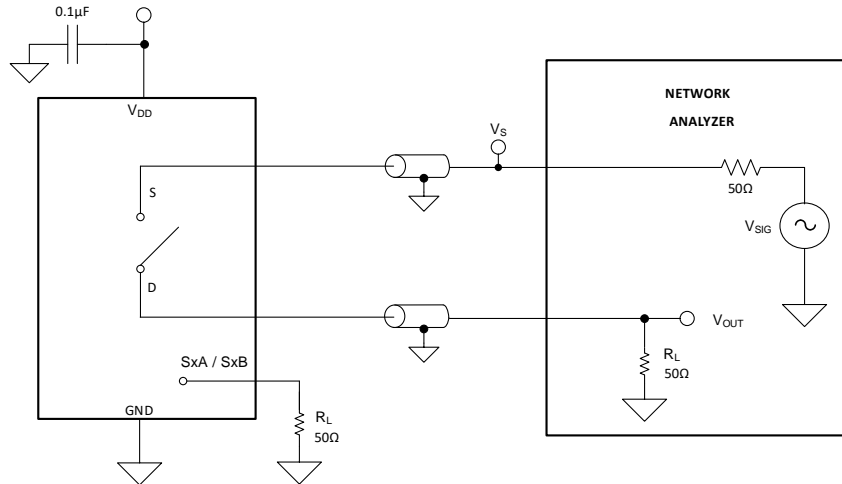


Figure 22. Off Isolation Measurement Setup

$$\text{Off Isolation} = 20 \cdot \text{Log} \left(\frac{V_{\text{OUT}}}{V_S} \right) \quad (1)$$

7.8 Crosstalk

Crosstalk is defined as the ratio of the signal at the drain pin (D) of a different channel, when a signal is applied at the source pin (Sx) of an on-channel. Figure 23 shows the setup used to measure, and the equation used to calculate crosstalk.

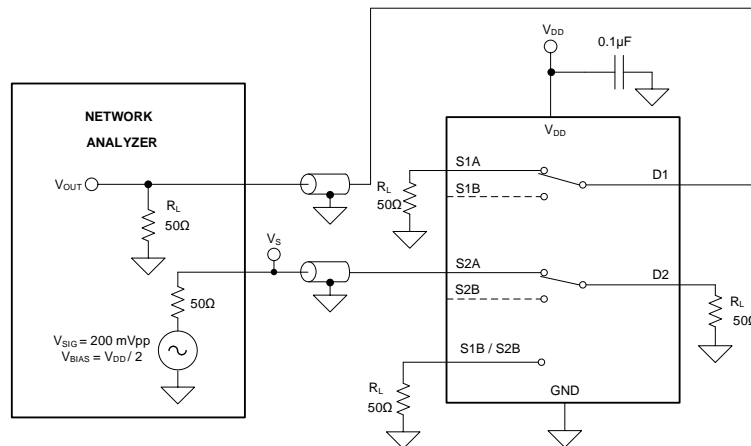


Figure 23. Crosstalk Measurement Setup

$$\text{Channel-to-Channel Crosstalk} = 20 \cdot \text{Log} \left(\frac{V_{\text{OUT}}}{V_S} \right) \quad (2)$$

7.9 Bandwidth

Bandwidth is defined as the range of frequencies that are attenuated by less than 3 dB when the input is applied to the source pin (Sx) of an on-channel, and the output is measured at the drain pin (D) of the device. [Figure 24](#) shows the setup used to measure bandwidth.

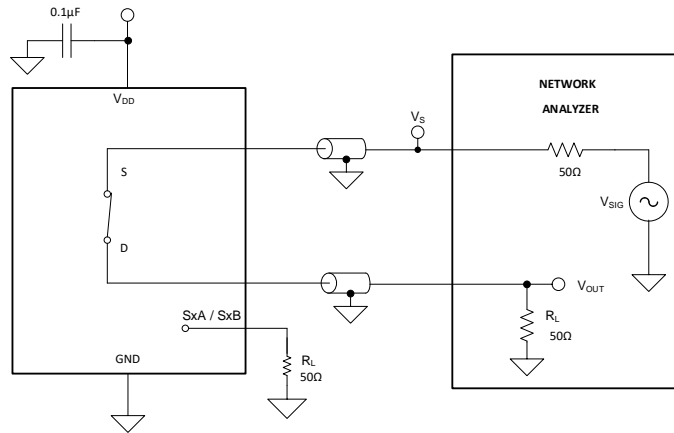


Figure 24. Bandwidth Measurement Setup

8 Detailed Description

8.1 Functional Block Diagram

The TMUX1136 is a 2:1 (SPDT), 2-channel analog switch with two independently controlled channels. Each channel is controlled with a single select (SELx) control pin to toggle between source inputs.

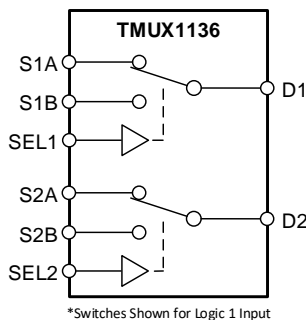


Figure 25. TMUX1136 Functional Block Diagram

8.2 Feature Description

8.2.1 Bidirectional Operation

The TMUX1136 conducts equally well from source (Sx) to drain (Dx) or from drain (Dx) to source (Sx). The device has very similar characteristics in both directions and supports both analog and digital signals.

8.2.2 Rail to Rail Operation

The valid signal path input/output voltage for TMUX1136 ranges from GND to V_{DD} .

8.2.3 1.8 V Logic Compatible Inputs

The TMUX1136 has 1.8-V logic compatible control for the logic control inputs (SELx). The logic input threshold scales with supply but still provides 1.8-V logic control when operating at 5.5 V supply voltage. 1.8-V logic level inputs allow the TMUX1136 to interface with processors that have lower logic I/O rails and eliminates the need for an external translator, which saves both space and BOM cost. The current consumption of the TMUX1136 increases when using 1.8V logic with higher supply voltage as shown in Figure 10. For more information on 1.8 V logic implementations refer to [Simplifying Design with 1.8 V logic Muxes and Switches](#).

8.2.4 Fail-Safe Logic

The TMUX1136 supports Fail-Safe Logic on the control input pins (SELx) allowing for operation up to 5.5 V, regardless of the state of the supply pin. This feature allows voltages on the control pin to be applied before the supply pin, protecting the device from potential damage. Fail-Safe Logic minimizes system complexity by removing the need for power supply sequencing on the logic control pins. For example, the Fail-Safe Logic feature allows the select pin of the TMUX1136 to be ramped to 5.5 V while $V_{DD} = 0$ V. Additionally, the feature enables operation of the TMUX1136 with $V_{DD} = 1.2$ V while allowing the select pin to interface with a logic level of another device up to 5.5 V.

Feature Description (continued)

8.2.5 Ultra-low Leakage Current

The TMUX1136 provides extremely low on-leakage and off-leakage currents. The TMUX1136 is capable of switching signals from high source-impedance inputs into a high input-impedance op amp with minimal offset error because of the ultra-low leakage currents. Figure 26 shows typical leakage currents of the TMUX1136 versus temperature.

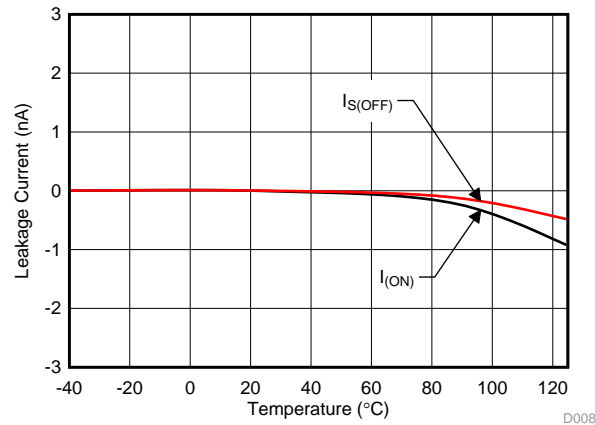


Figure 26. Leakage Current vs Temperature

8.2.6 Ultra-low Charge Injection

The TMUX1136 has a transmission gate topology, as shown in Figure 27. Any mismatch in the stray capacitance associated with the NMOS and PMOS causes an output level change whenever the switch is opened or closed.

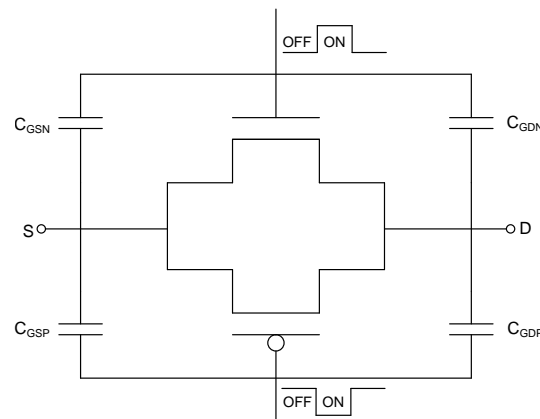


Figure 27. Transmission Gate Topology

Feature Description (continued)

The TMUX1136 has special charge-injection cancellation circuitry that reduces the drain-to-source charge injection to -6 pC at $V_D = 1$ V as shown in Figure 28.

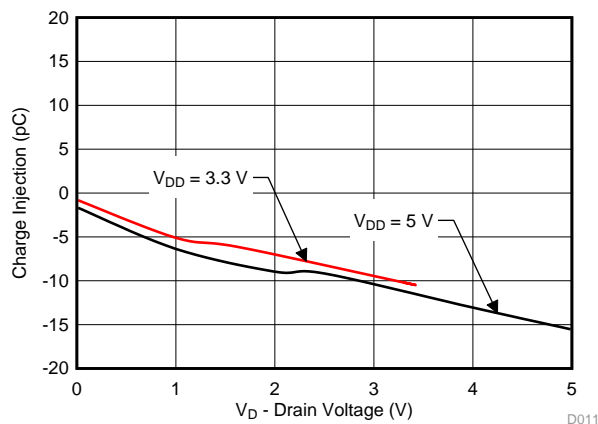


Figure 28. Charge Injection vs Drain Voltage

8.3 Device Functional Modes

The select (SELx) pins of the TMUX1136 controls which source is connected to the drain pins of the device. When a signal path is not selected, that source pin is in high impedance mode (HI-Z). The control pins can be as high as 5.5 V.

8.3.1 Truth Tables

Table 1. TMUX1136 Truth Table

CONTROL LOGIC (SELx)	Selected Source (SxA or SxB) Connected To Drain (Dx) Pin
0	S1B to D1 S2B to D2
1	S1A to D1 S2A to D2

9 Application and Implementation

NOTE

Information in the following applications sections is not part of the TI component specification, and TI does not warrant its accuracy or completeness. TI's customers are responsible for determining suitability of components for their purposes. Customers should validate and test their design implementation to confirm system functionality.

9.1 Application Information

The TMUX11xx family offers ultra-low input/output leakage currents and low charge injection. These devices operate up to 5.5 V, and offer true rail-to-rail input and output of both analog and digital signals. The TMUX1136 has a low on-capacitance which allows faster settling time when multiplexing inputs in the time domain. These features make the TMUX11xx devices a family of precision, high-performance switches and multiplexers for low-voltage applications.

9.2 Typical Application

Figure 29 shows an example circuit where the TMUX1136 is used to switch different feedback networks of a transimpedance amplifier (TIA). The application uses a 2-channel SPDT switch in order to optimize the tradeoffs of low leakage current and on resistance of the switch.

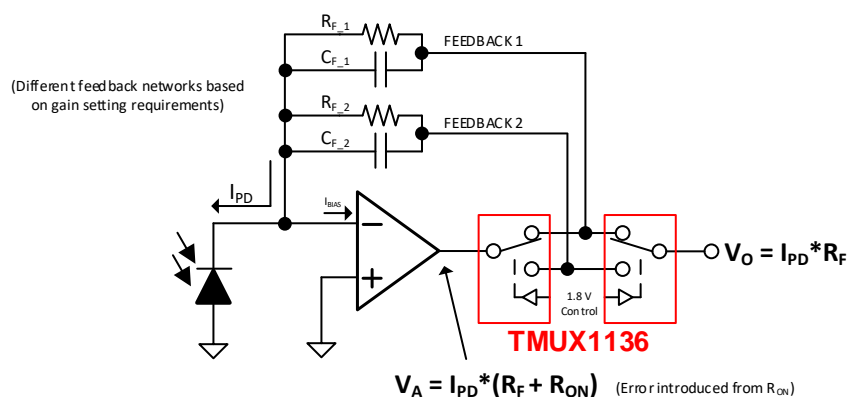


Figure 29. Transimpedance Amplifier Feedback Switching

9.3 Design Requirements

For this design example, use the parameters listed in Table 2.

Table 2. Design Parameters

PARAMETERS	VALUES
Supply (V_{DD})	5 V
Input / Output signal range	1nA to 10 μ A
Control logic thresholds	1.8 V compatible

9.4 Detailed Design Procedure

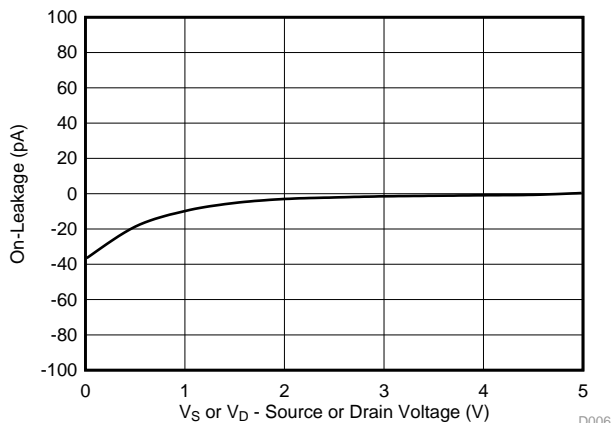
The TMUX1136 can be operated without any external components except for the supply decoupling capacitors. All inputs passing through the switch must fall within the recommend operating conditions of the TMUX1136, including signal range and continuous current. For this design with a supply of 5 V the signal range can be 0 V to 5 V, and the max continuous current can be 30 mA.

Photodiodes commonly have a current output that ranges from a few hundred picoamps to tens of microamps based on the amount of light being absorbed. Difference feedback networks can be switched into a transimpedance amplifier in order to scale the output voltage to maximize system dynamic range. Typical feedback resistance is in the 10s-100s of kilo-ohms range where the on resistance of a switch would have minimal impact on system accuracy. However, some applications will have larger photodiode currents due to light exposure and can require a feedback resistor as low as 100Ω. Analog switches and multiplexers commonly have a tradeoff between on-resistance and leakage current which will both lead to overall system error. Figure 29 shows how to configure a multi-channel analog switch to eliminate the impact from on-resistance and select a device optimized for low leakage currents. The drawback of this architecture is that the output impedance of the TIA stage is now the on-resistance of the multiplexer since the second channel is outside the feedback loop. This is commonly an acceptable tradeoff as the on-resistance of the TMUX1136 is very low, 2Ω typical.

The TMUX1136 has a typical On-leakage current of less than 10 pA which would lead to an accuracy well within 1% of a full scale 10 μA signal. The low ON and OFF capacitance of the TMUX1136 improves system stability by minimizing the total capacitance on the output of the amplifier. Lower capacitance leads to less overshoot and ringing in the system which can cause the amplifier circuit to go unstable if the phase margin is not at least 45°. Refer to [Improve Stability Issues with Low C_{ON} Multiplexers](#) for more information on calculating the phase margin vs. percent overshoot..

9.5 Application Curve

The TMUX1136 is capable of switching signals with minimal distortion because of the ultra-low leakage currents and low On-resistance. Figure 30 shows how the leakage current of the TMUX1136 varies with different input voltages.



T_A = 25°C

Figure 30. On-Leakage vs Source or Drain Voltage

10 Power Supply Recommendations

The TMUX1136 operates across a wide supply range of 1.08 V to 5.5 V. Do not exceed the absolute maximum ratings because stresses beyond the listed ratings can cause permanent damage to the devices.

Power-supply bypassing improves noise margin and prevents switching noise propagation from the V_{DD} supply to other components. Good power-supply decoupling is important to achieve optimum performance. For improved supply noise immunity, use a supply decoupling capacitor ranging from 0.1 μF to 10 μF from V_{DD} to ground. Place the bypass capacitors as close to the power supply pins of the device as possible using low-impedance connections. TI recommends using multi-layer ceramic chip capacitors (MLCCs) that offer low equivalent series resistance (ESR) and inductance (ESL) characteristics for power-supply decoupling purposes. For very sensitive systems, or for systems in harsh noise environments, avoiding the use of vias for connecting the capacitors to the device pins may offer superior noise immunity. The use of multiple vias in parallel lowers the overall inductance and is beneficial for connections to ground planes.

11 Layout

11.1 Layout Guidelines

11.1.1 Layout Information

When a PCB trace turns a corner at a 90° angle, a reflection can occur. A reflection occurs primarily because of the change of width of the trace. At the apex of the turn, the trace width increases to 1.414 times the width. This increase upsets the transmission-line characteristics, especially the distributed capacitance and self-inductance of the trace which results in the reflection. Not all PCB traces can be straight and therefore some traces must turn corners. [Figure 31](#) shows progressively better techniques of rounding corners. Only the last example (BEST) maintains constant trace width and minimizes reflections.

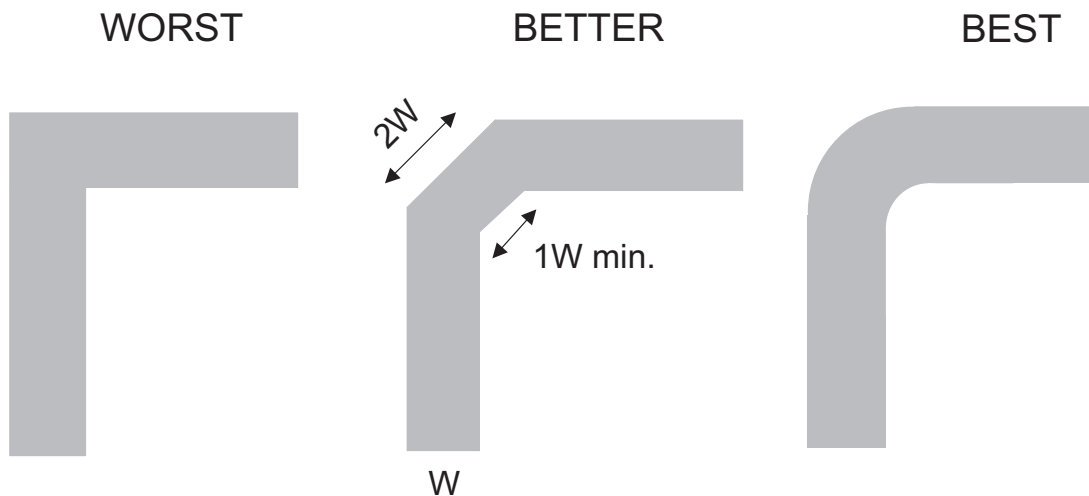


Figure 31. Trace Example

Route high-speed signals using a minimum of vias and corners which reduces signal reflections and impedance changes. When a via must be used, increase the clearance size around it to minimize its capacitance. Each via introduces discontinuities in the signal's transmission line and increases the chance of picking up interference from the other layers of the board. Be careful when designing test points, through-hole pins are not recommended at high frequencies.

Layout Guidelines (continued)

Figure 32 illustrates an example of a PCB layout with the TMUX1136. Some key considerations are:

- Decouple the V_{DD} pin with a 0.1- μF capacitor, placed as close to the pin as possible. Make sure that the capacitor voltage rating is sufficient for the V_{DD} supply.
- Keep the input lines as short as possible.
- Use a solid ground plane to help reduce electromagnetic interference (EMI) noise pickup.
- Do not run sensitive analog traces in parallel with digital traces. Avoid crossing digital and analog traces if possible, and only make perpendicular crossings when necessary.

11.2 Layout Example

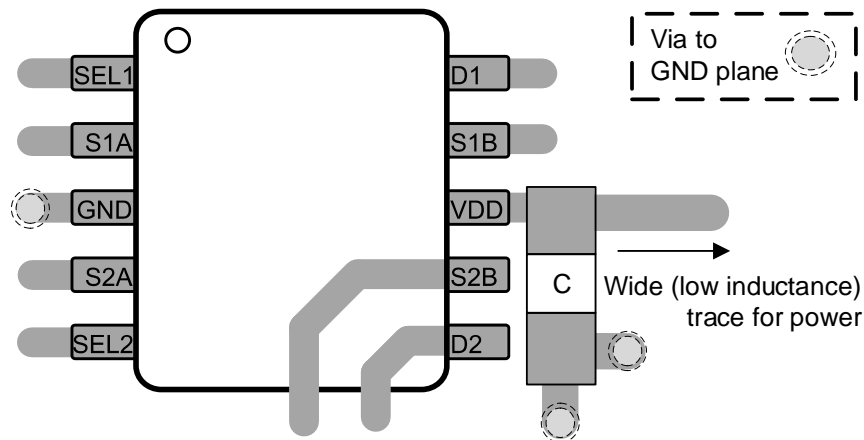


Figure 32. TMUX1136 Layout Example

12 Device and Documentation Support

12.1 Documentation Support

12.1.1 Related Documentation

Texas Instruments, [Ultrasonic Gas Meter Front-End With MSP430™ Reference Design](#).

Texas Instruments, [True Differential, 4 x 2 MUX, Analog Front End, Simultaneous-Sampling ADC Circuit](#).

Texas Instruments, [Improve Stability Issues with Low CON Multiplexers](#).

Texas Instruments, [Simplifying Design with 1.8 V Logic Muxes and Switches](#).

Texas Instruments, [Eliminate Power Sequencing with Powered-off Protection Signal Switches](#).

Texas Instruments, [System-Level Protection for High-Voltage Analog Multiplexers](#).

Texas Instruments, [QFN/SON PCB Attachment](#).

Texas Instruments, [Quad Flatpack No-Lead Logic Packages](#).

12.2 Related Links

The table below lists quick access links. Categories include technical documents, support and community resources, tools and software, and quick access to order now.

12.3 Receiving Notification of Documentation Updates

To receive notification of documentation updates, navigate to the device product folder on ti.com. In the upper right corner, click on *Alert me* to register and receive a weekly digest of any product information that has changed. For change details, review the revision history included in any revised document.

12.4 Community Resources

The following links connect to TI community resources. Linked contents are provided "AS IS" by the respective contributors. They do not constitute TI specifications and do not necessarily reflect TI's views; see TI's [Terms of Use](#).

TI E2E™ Online Community *TI's Engineer-to-Engineer (E2E) Community*. Created to foster collaboration among engineers. At e2e.ti.com, you can ask questions, share knowledge, explore ideas and help solve problems with fellow engineers.

Design Support *TI's Design Support* Quickly find helpful E2E forums along with design support tools and contact information for technical support.

12.5 Trademarks

E2E is a trademark of Texas Instruments.

12.6 Electrostatic Discharge Caution



This integrated circuit can be damaged by ESD. Texas Instruments recommends that all integrated circuits be handled with appropriate precautions. Failure to observe proper handling and installation procedures can cause damage.

ESD damage can range from subtle performance degradation to complete device failure. Precision integrated circuits may be more susceptible to damage because very small parametric changes could cause the device not to meet its published specifications.

12.7 Glossary

SLYZ022 — *TI Glossary*.

This glossary lists and explains terms, acronyms, and definitions.

13 Mechanical, Packaging, and Orderable Information

The following pages include mechanical, packaging, and orderable information. This information is the most current data available for the designated devices. This data is subject to change without notice and revision of this document. For browser-based versions of this data sheet, refer to the left-hand navigation.

PACKAGING INFORMATION

Orderable Device	Status (1)	Package Type	Package Drawing	Pins	Package Qty	Eco Plan (2)	Lead finish/ Ball material (6)	MSL Peak Temp (3)	Op Temp (°C)	Device Marking (4/5)	Samples
TMUX1136DGSR	ACTIVE	VSSOP	DGS	10	2500	RoHS & Green	NIPDAUAG	Level-1-260C-UNLIM	-40 to 125	1136	Samples
TMUX1136DQAR	ACTIVE	USON	DQA	10	3000	RoHS & Green	NIPDAU	Level-1-260C-UNLIM	-40 to 125	136	Samples

(1) The marketing status values are defined as follows:

ACTIVE: Product device recommended for new designs.

LIFEBUY: TI has announced that the device will be discontinued, and a lifetime-buy period is in effect.

NRND: Not recommended for new designs. Device is in production to support existing customers, but TI does not recommend using this part in a new design.

PREVIEW: Device has been announced but is not in production. Samples may or may not be available.

OBSOLETE: TI has discontinued the production of the device.

(2) **RoHS:** TI defines "RoHS" to mean semiconductor products that are compliant with the current EU RoHS requirements for all 10 RoHS substances, including the requirement that RoHS substance do not exceed 0.1% by weight in homogeneous materials. Where designed to be soldered at high temperatures, "RoHS" products are suitable for use in specified lead-free processes. TI may reference these types of products as "Pb-Free".

RoHS Exempt: TI defines "RoHS Exempt" to mean products that contain lead but are compliant with EU RoHS pursuant to a specific EU RoHS exemption.

Green: TI defines "Green" to mean the content of Chlorine (Cl) and Bromine (Br) based flame retardants meet JS709B low halogen requirements of <=1000ppm threshold. Antimony trioxide based flame retardants must also meet the <=1000ppm threshold requirement.

(3) MSL, Peak Temp. - The Moisture Sensitivity Level rating according to the JEDEC industry standard classifications, and peak solder temperature.

(4) There may be additional marking, which relates to the logo, the lot trace code information, or the environmental category on the device.

(5) Multiple Device Markings will be inside parentheses. Only one Device Marking contained in parentheses and separated by a "~" will appear on a device. If a line is indented then it is a continuation of the previous line and the two combined represent the entire Device Marking for that device.

(6) Lead finish/Ball material - Orderable Devices may have multiple material finish options. Finish options are separated by a vertical ruled line. Lead finish/Ball material values may wrap to two lines if the finish value exceeds the maximum column width.

Important Information and Disclaimer:The information provided on this page represents TI's knowledge and belief as of the date that it is provided. TI bases its knowledge and belief on information provided by third parties, and makes no representation or warranty as to the accuracy of such information. Efforts are underway to better integrate information from third parties. TI has taken and continues to take reasonable steps to provide representative and accurate information but may not have conducted destructive testing or chemical analysis on incoming materials and chemicals. TI and TI suppliers consider certain information to be proprietary, and thus CAS numbers and other limited information may not be available for release.

In no event shall TI's liability arising out of such information exceed the total purchase price of the TI part(s) at issue in this document sold by TI to Customer on an annual basis.

TAPE AND REEL INFORMATION



QUADRANT ASSIGNMENTS FOR PIN 1 ORIENTATION IN TAPE



*All dimensions are nominal

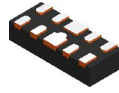
Device	Package Type	Package Drawing	Pins	SPQ	Reel Diameter (mm)	Reel Width W1 (mm)	A0 (mm)	B0 (mm)	K0 (mm)	P1 (mm)	W (mm)	Pin1 Quadrant
TMUX1136DGSR	VSSOP	DGS	10	2500	330.0	12.4	5.3	3.4	1.4	8.0	12.0	Q1
TMUX1136DQAR	USON	DQA	10	3000	180.0	9.5	1.18	2.68	0.72	4.0	8.0	Q1

TAPE AND REEL BOX DIMENSIONS


*All dimensions are nominal

Device	Package Type	Package Drawing	Pins	SPQ	Length (mm)	Width (mm)	Height (mm)
TMUX1136DGSR	VSSOP	DGS	10	2500	364.0	364.0	27.0
TMUX1136DQAR	USON	DQA	10	3000	189.0	185.0	36.0

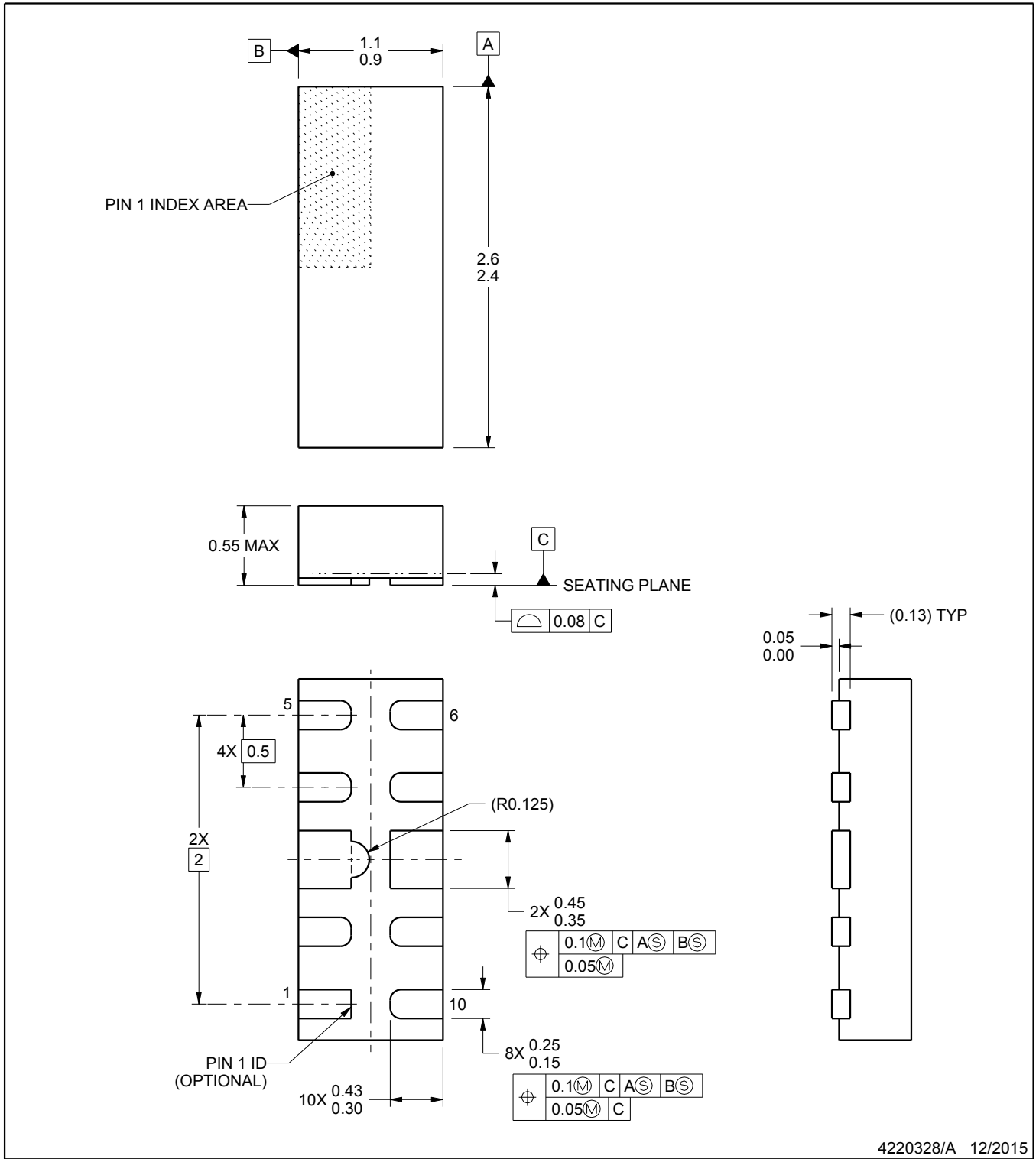
DQA0010A



PACKAGE OUTLINE

USON - 0.55 mm max height

PLASTIC SMALL OUTLINE - NO LEAD



4220328/A 12/2015

NOTES:

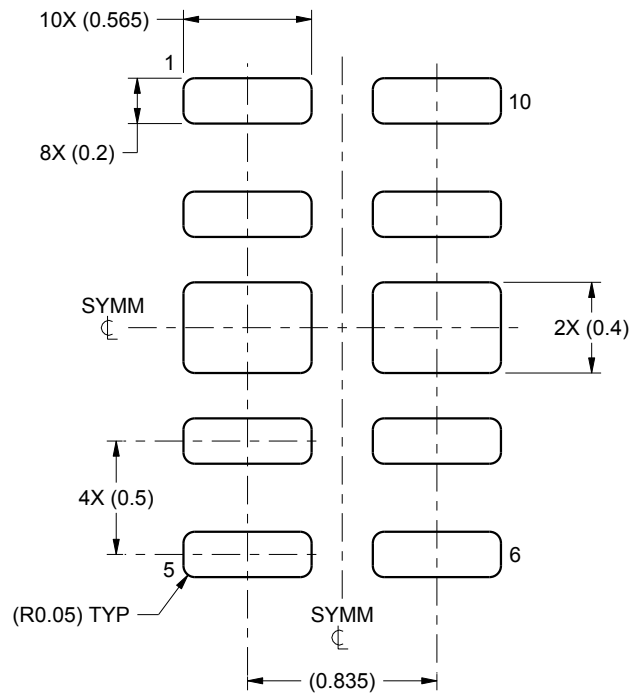
1. All linear dimensions are in millimeters. Any dimensions in parenthesis are for reference only. Dimensioning and tolerancing per ASME Y14.5M.
2. This drawing is subject to change without notice.

EXAMPLE BOARD LAYOUT

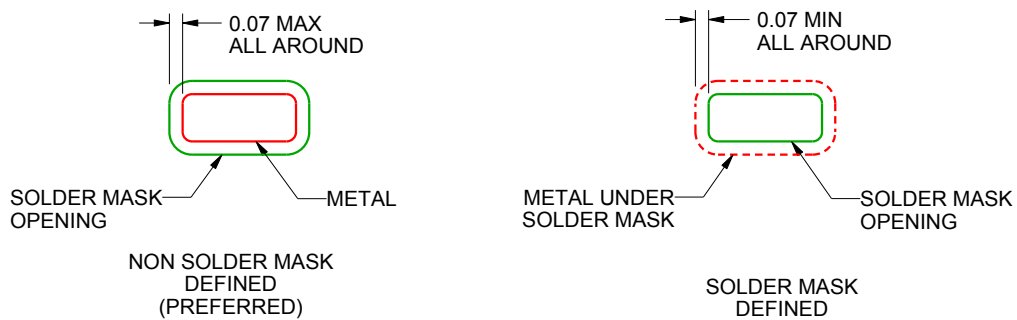
DQA0010A

USON - 0.55 mm max height

PLASTIC SMALL OUTLINE - NO LEAD



LAND PATTERN EXAMPLE
SCALE:30X



SOLDER MASK DETAILS

4220328/A 12/2015

NOTES: (continued)

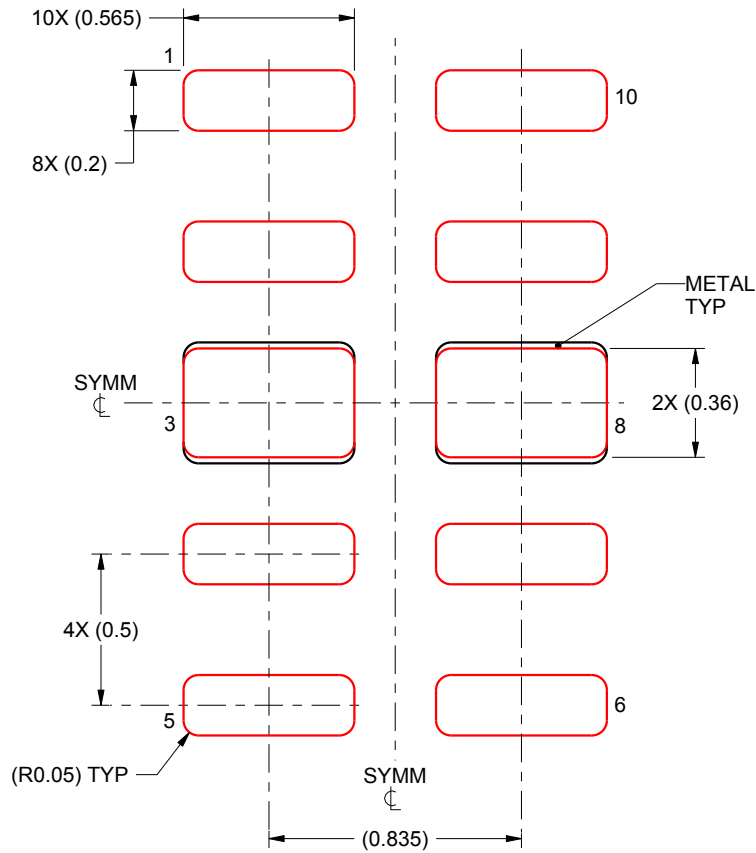
3. For more information, see Texas Instruments literature number SLUA271 (www.ti.com/lit/slua271).

EXAMPLE STENCIL DESIGN

DQA0010A

USON - 0.55 mm max height

PLASTIC SMALL OUTLINE - NO LEAD



SOLDER PASTE EXAMPLE
BASED ON 0.1 mm THICK STENCIL

EXPOSED PADS 3 & 8:
90% PRINTED SOLDER COVERAGE BY AREA UNDER PACKAGE
SCALE:40X

4220328/A 12/2015

NOTES: (continued)

4. Laser cutting apertures with trapezoidal walls and rounded corners may offer better paste release. IPC-7525 may have alternate design recommendations.

DGS0010A



PACKAGE OUTLINE

VSSOP - 1.1 mm max height

SMALL OUTLINE PACKAGE



4221984/A 05/2015

NOTES:

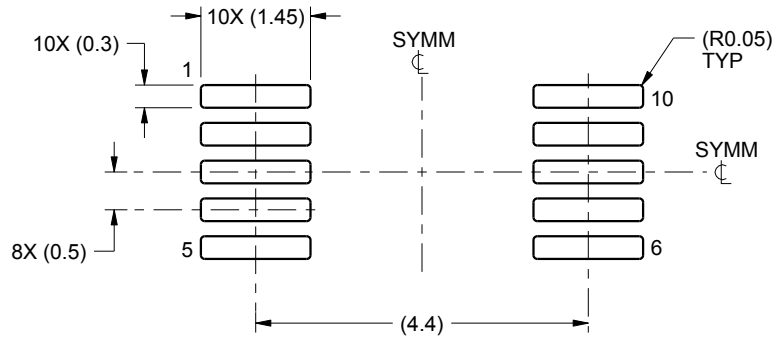
1. All linear dimensions are in millimeters. Any dimensions in parenthesis are for reference only. Dimensioning and tolerancing per ASME Y14.5M.
2. This drawing is subject to change without notice.
3. This dimension does not include mold flash, protrusions, or gate burrs. Mold flash, protrusions, or gate burrs shall not exceed 0.15 mm per side.
4. This dimension does not include interlead flash. Interlead flash shall not exceed 0.25 mm per side.
5. Reference JEDEC registration MO-187, variation BA.

EXAMPLE BOARD LAYOUT

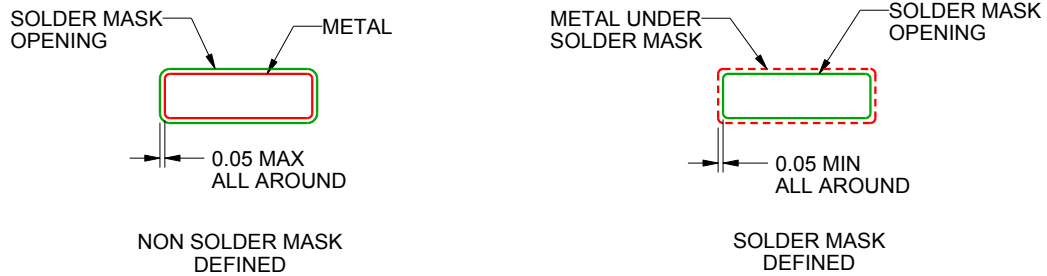
DGS0010A

VSSOP - 1.1 mm max height

SMALL OUTLINE PACKAGE



LAND PATTERN EXAMPLE
SCALE:10X



SOLDER MASK DETAILS
NOT TO SCALE

4221984/A 05/2015

NOTES: (continued)

- 6. Publication IPC-7351 may have alternate designs.
- 7. Solder mask tolerances between and around signal pads can vary based on board fabrication site.

EXAMPLE STENCIL DESIGN

DGS0010A

VSSOP - 1.1 mm max height

SMALL OUTLINE PACKAGE



SOLDER PASTE EXAMPLE
BASED ON 0.125 mm THICK STENCIL
SCALE:10X

4221984/A 05/2015

NOTES: (continued)

8. Laser cutting apertures with trapezoidal walls and rounded corners may offer better paste release. IPC-7525 may have alternate design recommendations.
9. Board assembly site may have different recommendations for stencil design.

IMPORTANT NOTICE AND DISCLAIMER

TI PROVIDES TECHNICAL AND RELIABILITY DATA (INCLUDING DATASHEETS), DESIGN RESOURCES (INCLUDING REFERENCE DESIGNS), APPLICATION OR OTHER DESIGN ADVICE, WEB TOOLS, SAFETY INFORMATION, AND OTHER RESOURCES "AS IS" AND WITH ALL FAULTS, AND DISCLAIMS ALL WARRANTIES, EXPRESS AND IMPLIED, INCLUDING WITHOUT LIMITATION ANY IMPLIED WARRANTIES OF MERCHANTABILITY, FITNESS FOR A PARTICULAR PURPOSE OR NON-INFRINGEMENT OF THIRD PARTY INTELLECTUAL PROPERTY RIGHTS.

These resources are intended for skilled developers designing with TI products. You are solely responsible for (1) selecting the appropriate TI products for your application, (2) designing, validating and testing your application, and (3) ensuring your application meets applicable standards, and any other safety, security, or other requirements. These resources are subject to change without notice. TI grants you permission to use these resources only for development of an application that uses the TI products described in the resource. Other reproduction and display of these resources is prohibited. No license is granted to any other TI intellectual property right or to any third party intellectual property right. TI disclaims responsibility for, and you will fully indemnify TI and its representatives against, any claims, damages, costs, losses, and liabilities arising out of your use of these resources.

TI's products are provided subject to TI's Terms of Sale (www.ti.com/legal/termsofsale.html) or other applicable terms available either on ti.com or provided in conjunction with such TI products. TI's provision of these resources does not expand or otherwise alter TI's applicable warranties or warranty disclaimers for TI products.

Mailing Address: Texas Instruments, Post Office Box 655303, Dallas, Texas 75265
Copyright © 2020, Texas Instruments Incorporated