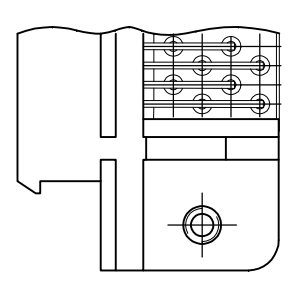
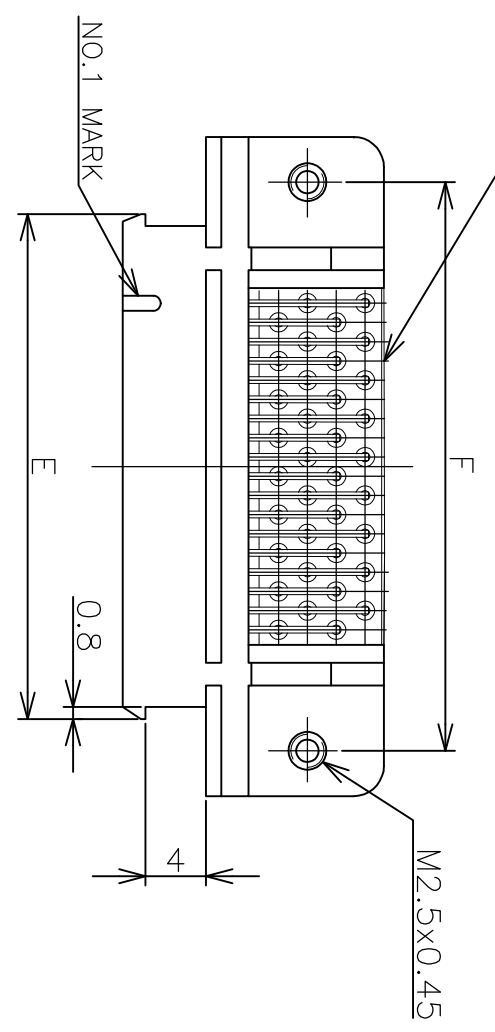
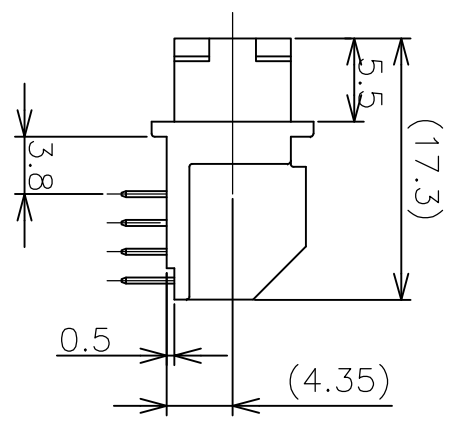


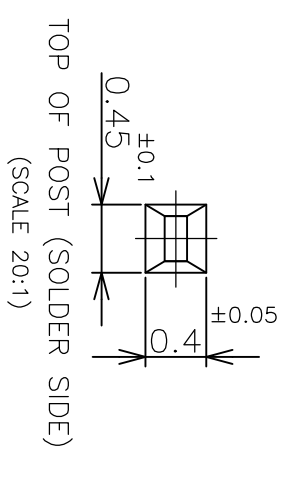
TINE PLATE MATERIAL : PBT (BLACK)



50POS (-4) ONLY

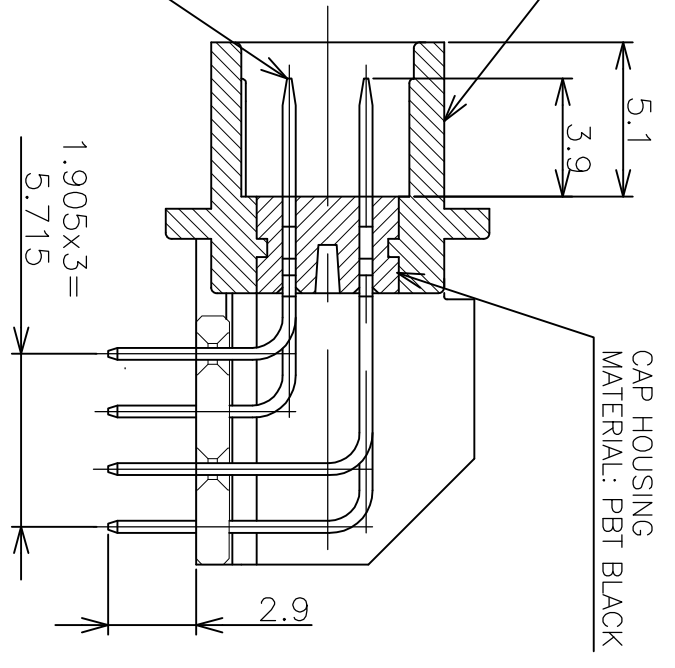


LEAD FREE



TOP OF POST (SOLDER SIDE)  
 (SCALE 20:1)

POST CONTACT MATERIAL : PHOS BRONZE  
 FINISH : GOLD (CONTACT AREA)  
 TIN (SOLDER TINE AREA)  
 WITH ENTIRE CONTACT UNDER PLATED NIKKEL



CAP SHIELD MATERIAL: ZINC  
 FINISH: NICKEL OVER COPPER

CAP HOUSING MATERIAL: PBT BLACK

(SCALE 4:1)



BOTTOM VIEW OF MOUNT

FIG. 1



PCB SURFACE  
 MOUNTING BASE AREA  
 NO.(POS/2+1)  
 NO.(POS/2+2)  
 NO.(POS-1)

THIS DRAWING IS A CONTROLLED DOCUMENT.

DIMENSIONS:	TOLERANCES UNLESS OTHERWISE SPECIFIED:
0 PL/C	± 0.3
1 PL/C	± 0.3
2 PL/C	± 0.3
3 PL/C	± 0.3
4 PL/C	± 0.3
ANGLES	± 3°
FINISH	± 3°

POS	N	A	B	C	D	E	F	GOLD THK	PART NUMBER
96	47	59.69	64.06	75.7	81.7	71.49	75.7		2-5174225-6
68	33	41.91	46.28	57.9	63.9	53.71	57.9	0.00076	2-5174225-5
50	24	30.48	34.85	46.5	52.5	42.28	46.5	MIN	2-5174225-4
36	17	21.59	25.96	37.6	43.6	35.39	37.6		2-5174225-3
96	47	59.69	64.06	75.7	81.7	71.49	75.7		5174225-6
68	33	41.91	46.28	57.9	63.9	53.71	57.9		5174225-5
50	24	30.48	34.85	46.5	52.5	42.28	46.5	0.0002	5174225-4
36	17	21.59	25.96	37.6	43.6	35.39	37.6	MIN	5174225-3
28	13	16.51	20.88	32.5	38.5	28.31	32.5		5174225-2
20	9	11.43	15.8	27.4	33.4	23.23	27.4		5174225-1

**STE** TE Connectivity

POST HEADER (HORIZONTAL M2.5)  
 AMPLIMITE .050 SERIES 2  
 TYPE B

DMN Roy Hdo 17Aug04	APVD Steven Yoo 17Aug04	NAME POST HEADER (HORIZONTAL M2.5) AMPLIMITE .050 SERIES 2 TYPE B	SIZE A3	CAGE CODE 00779	DRAWING NO 5174225	RESTRICTED TO
CHK Steven Yoo 17Aug04	PRODUCT SPEC 108-60037-1	APPLICATION SPEC	WEIGHT	CUSTOMER DRAWING	SCALE 2:1	SHEET 1 of 1
MATERIAL	FINISH					REV C1

- 1 P.C BOARD HOLE LAY-OUT AS SHOWN FIG. 1
- 2 USE SCREW SIZE ; M2.5 PAN-HEAD SCREW
- 3 OBSOLETE PARTS: OBSOLETE CIS STREAMLINING PER D.RENAUD/D.SINISI