

4

3

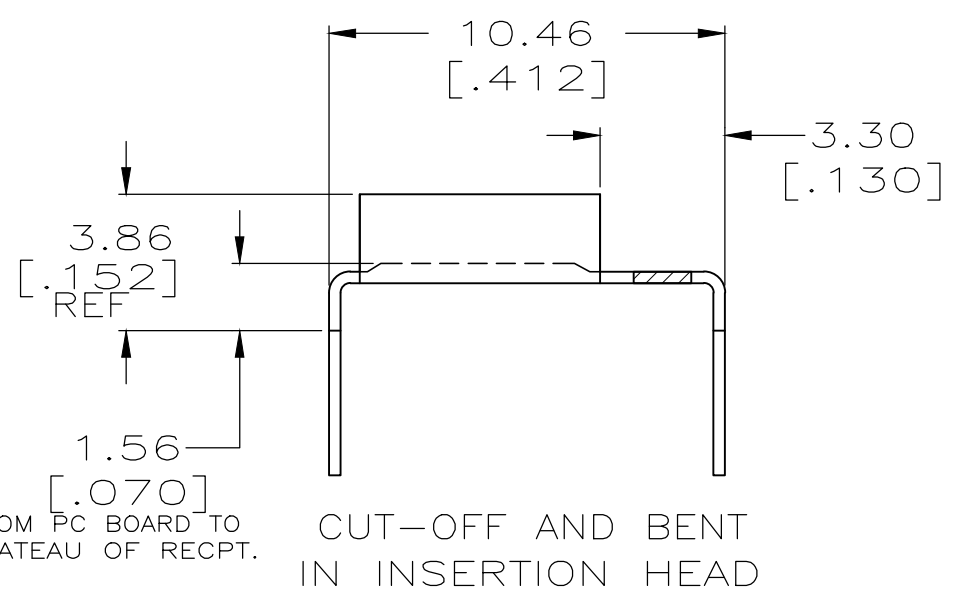
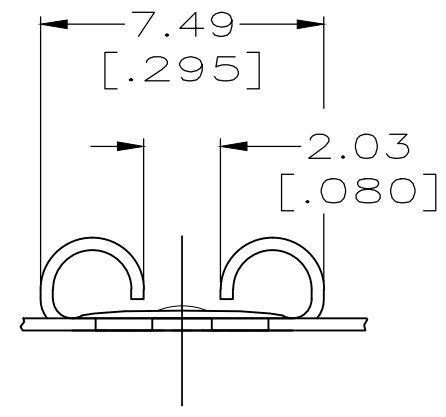
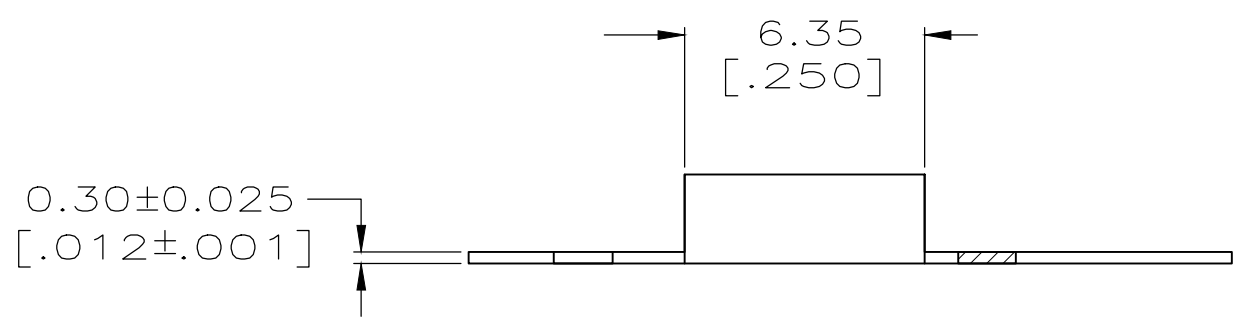
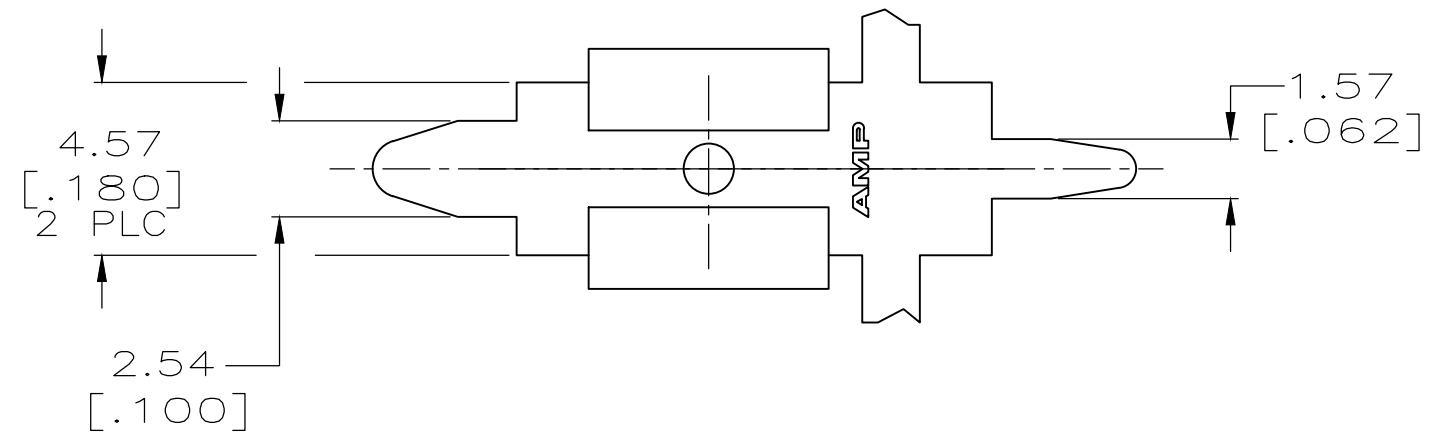
2

1

THIS DRAWING IS UNPUBLISHED. RELEASED FOR PUBLICATION .19 .  
 © COPYRIGHT 19 BY AMP INCORPORATED. ALL RIGHTS RESERVED.

LOC	DIST	REVISIONS			
P	LTR	DESCRIPTION	DATE	DWN	APVD
AF	50	C1	REVISED PER ECR-18-012188	08AUG2018	BDA DH

- MATING TAB THK IS  $0.51 \pm 0.025$   $[\pm 0.020]$ .
- CONTINUOUS STRIP ON REELS. TO BE CUT-OFF & BENT IN INSERTION HEAD.



1217107-1  
PART NO.

THIS DRAWING IS A CONTROLLED DOCUMENT.		DWN	JR RUTH	11/14/97	 TE CONNECTIVITY	NAME <b>RECEPTACLE, FASTON,          6.35 [.250] SERIES</b>					
DIMENSIONS: MM [INCHES]		CHK	MS FEHER	11/14/97							
		APVD	P DESANTIS	11/14/97							
		PRODUCT SPEC									
TOLERANCES UNLESS OTHERWISE SPECIFIED:		APPLICATION SPEC			SIZE	CAGE CODE	DRAWING NO	RESTRICTED TO			
0 PLC ±- 1 PLC ±- 2 PLC $\pm 0.13$ $[\pm 0.005]$ 3 PLC ±- 4 PLC ±- ANGLES ±-		WEIGHT			A3	00779	C- 1217107	-			
MATERIAL H04 PHOS BRONZE		FINISH 0.002032 $[\pm 0.000080]$ MIN TIN			CUSTOMER DRAWING			SCALE	SHEET	OF	REV
					5:1	1	1	C1			