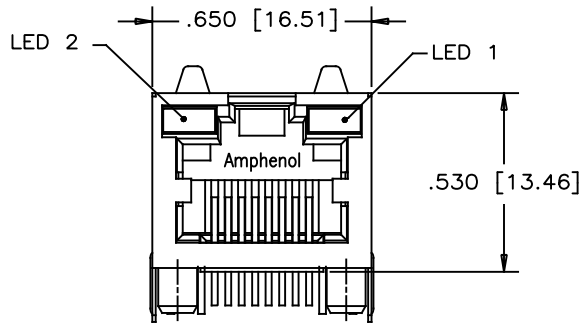
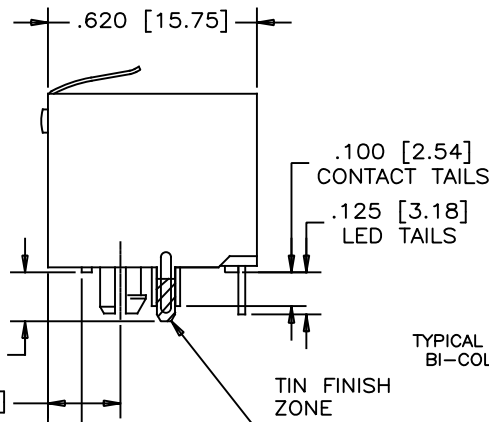


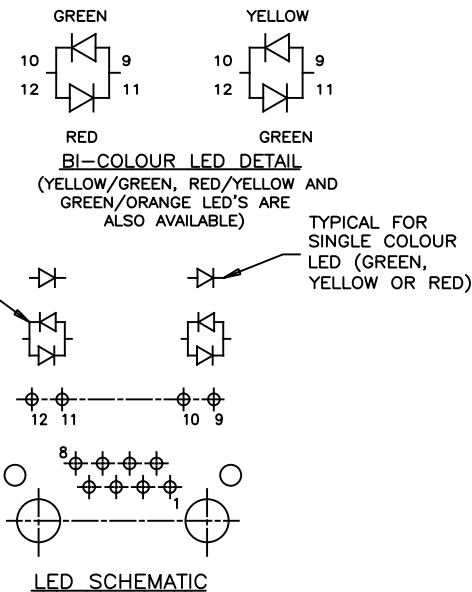
REVISIONS			
REV	DESCRIPTION, ECN, EAR NO.	DATE	APP'D
C	FIX DRAWING ERRORS	OCT09/17	L.CHAN
D	FIX DRAWING ERRORS	JUN19/18	L.CHAN
E	PROPOSAL ONLY	SEP26/19	L.CHAN



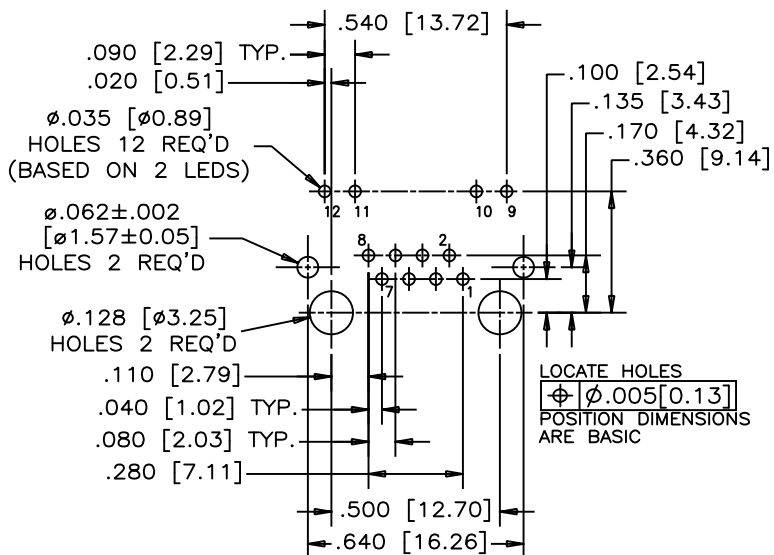
FRONT VIEW



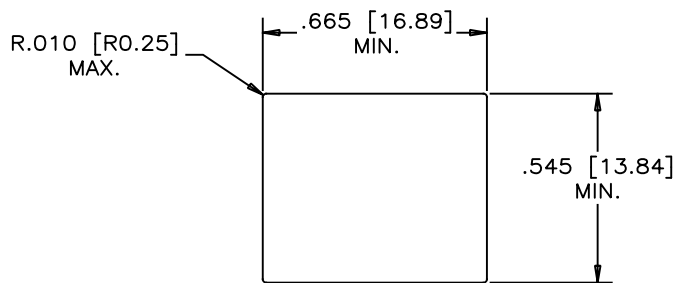
SIDE VIEW



LED SCHEMATIC



RECOMMENDED P.C.B. LAYOUT
(COMPONENT SIDE OF BOARD)



RECOMMENDED PANEL CUTOUT



MATERIALS:

PLASTIC HOUSING: HIGH TEMPERATURE THERMOPLASTIC
FLAMMABILITY RATING UL 94V-0

CONTACTS:

PHOSPHOR BRONZE
PLATING: GOLD PLATING ON MATING SURFACE.
[SEE PART NUMBER FOR THICKNESS]
50 µ" [1.27 MICRONS]
MIN. NICKEL UNDERPLATE
100 µ" [2.54 MICRONS]
MIN. MATTE TIN ON CONTACT TAILS.

SHIELD: STAINLESS STEEL WITH TIN FINISH ON SOLDER TAIL

AMPHENOL PART NUMBER: RJHSE-X38X

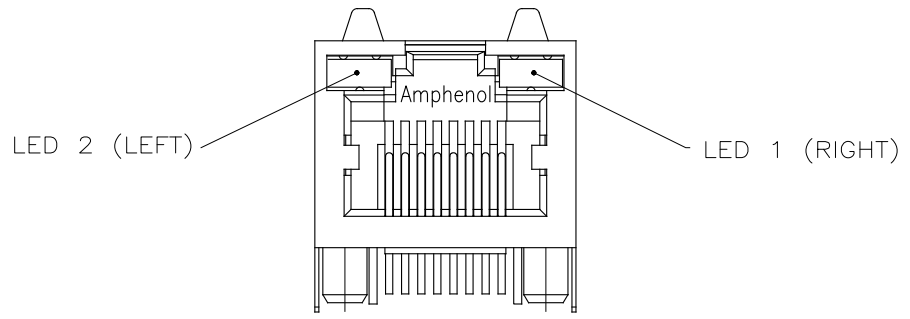
GOLD PLATING

E=RJ45 FLAT CONTACT 6u"
G=RJ45 FLAT CONTACT 15u"
J=RJ45 FLAT CONTACT 30u"
5=RJ45 FLAT CONTACT 50u"

REFER TO LED OPTIONS DRAWING FOR ORDERING CODES

UNLESS SPECIFIED OTHERWISE	DRAWN <i>Hanson.C</i> DATE <i>MAR15/17</i>	Amphenol Canada Corp.	
PRIMARY UNITS INCH	CHECKED <i>LAWRENCE C</i> DATE <i>MAR15/17</i>	Commercial Products	
SECONDARY MILLIMETER	M.E. APP'D	TITLE	
REFERENCE IN PARENTHESES	Q.A. APP'D	SINGLE-PORT HIGH SPEED RJ45	
GENERAL TOLERANCES	DWG APPR.	MODULAR JACK, WITH LEDS, 8 POS.	
1 DECIMAL PLACE ±0.025	ENG. REL. NO.	8 CONTACTS, SHIELD-RoHS COMPLIANT	
2 DECIMAL PLACES ±0.020	REF.	DWG. NO.	P-RJHSE-X38X
3 DECIMAL PLACES ±0.015	THIRD ANGLE PROJECTION	DO NOT SCALE DRAWING	
ANGULAR DEGREES ±1.0°		CODE ID NO. 03554 DWG SIZE: C SCALE: N/A	REV <i>E</i>

REV	DESCRIPTION, ECN, EAR NO.	DATE	APP'D
F	UPDATE SPEC	JUL06/18	L.CHAN
G	UPDATE SPEC	NOV19/18	L.CHAN
H	UPDATE SPEC	JAN29/19	L.CHAN



TYPICAL FOR SINGLE & MULTI-PORT



LED SPECIFICATIONS:
 FORWARD VOLTAGE: 2.1 VOLTS TYP.
 FORWARD VOLTAGE: 2.9 VOLTS FOR WHITE
 FORWARD VOLTAGE: 3.1 VOLTS FOR BLUE
 REVERSE VOLTAGE: 5.0 VOLTS MIN.
 LUMINOUS INTENSITY:
 18.6 mcd MIN. (AT If=20mA) TYP.
 480 mcd MIN. (AT If=5mA) FOR WHITE
 110 mcd MIN. (AT If=20mA) FOR BLUE
 OPERATING TEMPERATURE: -55° TO 85° C
 LEAD SOLDERING TEMPERATURE: 260° C
 (5 SEC, 1/16" FROM CASE)
 PLATING ON TAILS: TIN OR TIN/COPPER ALLOY OVER SILVER

EXAMPLE:

PART NUMBER RJHSE-538X

25-07844

LED COLOR CODE

CODE	LED 2 (LEFT)	LED 1 (RIGHT)	CODE	LED 2 (LEFT)	LED 1 (RIGHT)	CODE	LED 2 (LEFT)	LED 1 (RIGHT)
0	BLOCKED	BLOCKED	9	GREEN	BLOCKED	J	BiC RD/GR	YELLOW
1	YELLOW	GREEN	A	BiC GR/YE	BiC GR/YE	K	YELLOW	BiC GR/OR
2	BLOCKED	GREEN	B	BiC RD/GR	BiC RD/GR	L	BiC GR/YE	RED
3	YELLOW	BLOCKED	C	BiC RD/GR	BiC GR/YE	M	RED	YELLOW
4	GREEN	YELLOW	D	GREEN	BiC GR/YE	N	BiC GR/RD	BiC GR/YE
5	GREEN	GREEN	E	YELLOW	BiC GR/YE	P	GREEN	BiC RD/GR
6	YELLOW	YELLOW	F	BiC GR/YE	YELLOW	R	BiC GR/OR	GREEN
7	RED	GREEN	G	BiC GR/OR	BiC GR/OR	T	RED	RED
8	GREEN	RED	H	BiC GR/YE	GREEN	V	BiC RD/GR	GREEN
						W	ADDITIONAL	OPTIONS

PRIMARY COLOR FOR BI-COLOR LEDS IN STANDARD ANODE/CATHODE CONFIGURATION IS:
 RED-GREEN= RED
 RED-YELLOW= RED
 GREEN-YELLOW= GREEN
 GREEN-ORANGE= GREEN

LEGEND

BiC=BI-COLOR LED
 LOWC=LOW CURRENT LED
 YE=YELLOW
 GR=GREEN
 RD=RED
 OR=ORANGE

EXAMPLE OF ADDITIONAL LED OPTIONS:

PART NUMBER RJHSE-538W-01Y

ADDITIONAL LED COLOR CODE
 DENOTES ADDITIONAL LED OPTIONS TO BE USED

CODE	LED 2 (LEFT)	LED 1 (RIGHT)	CODE	LED 2 (LEFT)	LED 1 (RIGHT)	CODE	LED 2 (LEFT)	LED 1 (RIGHT)
0	DO NOT USE		F	GREEN	BiC GR/OR	A	LOWC YE	LOWC YE
1	RED	BLOCKED	R	BiC GR/RD	BiC GR/RD	B	LOWC YE	LOWC GR
2	BiC GR/OR	YELLOW	G	GREEN	ORANGE	C	LOWC GR	LOWC YE
3	YELLOW	RED	H	BiC OR/GR	BiC OR/GR	D	LOWC GR	LOWC GR
4	BLOCKED	RED	J	BiC YE/GR	BiC YE/GR	M	LOWC RD	LOWC YE
5	BLOCKED	YELLOW	K	BLOCKED	WHITE			
6	RED	BiC RD/GR	L	GREEN	BiC YE/GR			
7	BLOCKED	BiC RD/GR	N	BLUE	RED			
8	BiC RD/GR	BLOCKED	P	BLOCKED	BiC GR/YE			
9	BiC GR/YE	BLOCKED	T	BLOCKED	BiC YE/GR			
E	BiC GR/YE	BiC GR/RD						

NOTE:

THE TWO DIGITS PRECEDING THE ADDITIONAL LED CODE MUST BE USED IN THE PART NUMBER, WHEN ORDERING ANY OF THE ADDITIONAL LED OPTIONS.

UNLESS SPECIFIED OTHERWISE		DRAWN K. LAMBIE	SEP21/04	Amphenol Canada Corp. Commercial Products	
PRIMARY UNITS	INCHES	CHECKED			
SECONDARY	MILLIMETERS	M.E. APP'D		LED OPTIONS FOR RJHSE, SINGLE OR MULTI-PORT CONNECTORS - RoHS COMPLIANT	
REFERENCE IN PARENTHESES		Q.A. APP'D			
GENERAL TOLERANCES		DWG APP'D		DWG NO.	REV
1 DECIMAL PLACE	±0.025	ENG. REL. NO.		P-RJHSE-LEDS	H
2 DECIMAL PLACES	±0.02	REF.		CODE ID NO. 03554	DWG SIZE C
3 DECIMAL PLACES	±0.015	THIRD ANGLE PROJECTION		SCALE NA	SHEET 1 OF 1
ANGULAR DEGREES	±1°	DO NOT SCALE DRAWING			