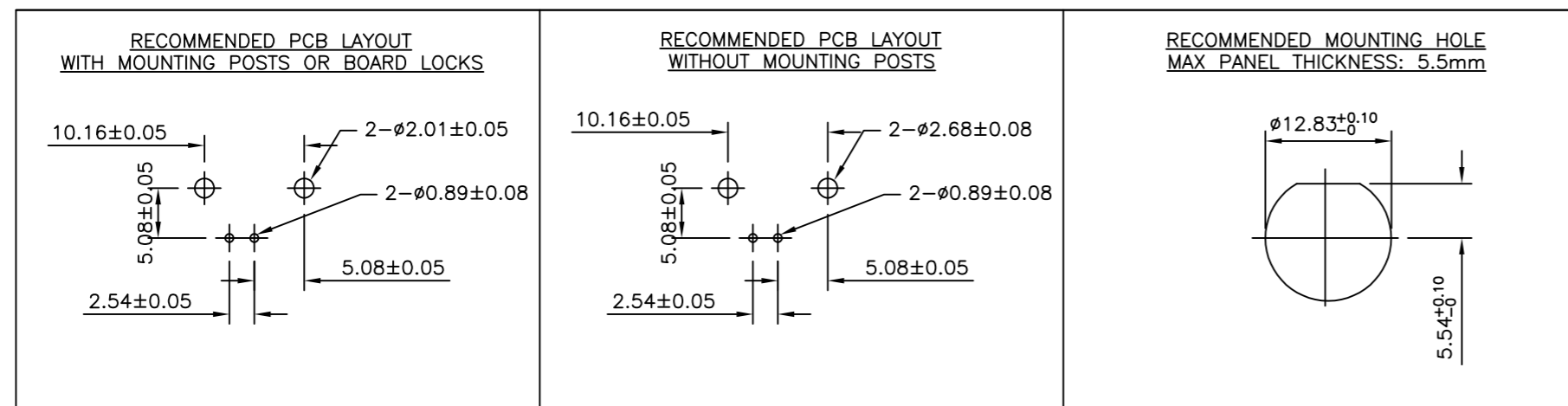
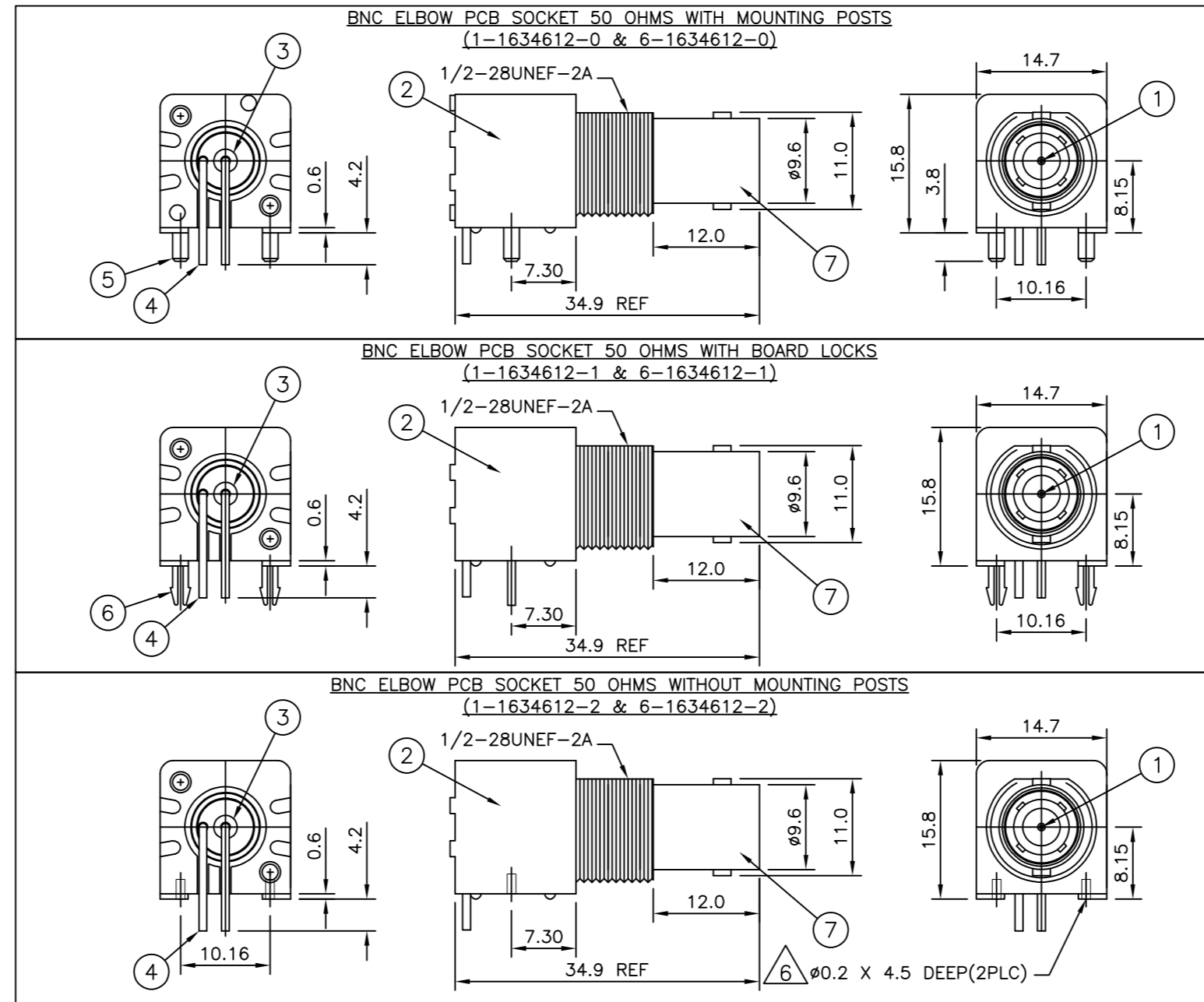


THIS DRAWING IS UNPUBLISHED. RELEASED FOR PUBLICATION AUGUST, 2005.
 © COPYRIGHT 2005 By - ALL RIGHTS RESERVED.

LOC	DIST	REVISIONS					
		P	LTR	DESCRIPTION	DATE	DWN	APVD
E	B	C1		REVISED PER ECO-11-005033	31MAR11	RK	HMR
		D		ECO-12-014680	20Aug2012	TITAN	MARTIN
		E		ECO-12-018113	27DEC2012	TITAN	MARTIN

- NOTES:**
- 1. SINGLE PACK IN ACCORDANCE WITH AMP SPEC 107-3275
 - 2. 50 TRAY PACK IN ACCORDANCE WITH AMP SPEC 107-3275
 - 3. Au PLATING OVER Ni PLATING OVER Cu PLATING
 - 4. Ni PLATING OVER Cu PLATING
 - 5. TIN PLATING
 - 6. RECOMMENDED SELF-TAPPING SCREW 221108-4
 - 7. RECOMMENDED MOUNT NUT 1-1634816-0
 - 8. RECOMMENDED LOCKWASHER 1-1634817-0
 - 9. FOR TECHNICAL DATA REFER TO YOUR LOCAL TE CONNECTIVITY SALES OFFICE
 - 10. ALL DIMENSIONS ARE NOMINAL FOR REFERENCE ONLY UNLESS OTHERWISE STATED

25-07752
 1-1634612-0



Obsolete	Obsolete	Obsolete	Obsolete	Obsolete	Quantity	Material	Description	Item
1	1	1	1	1	1	ZINC DIECAST	BOARD LOCK	7
-	-	2	2	-	-	BRASS	MOUNTING POST	6
-	-	-	-	2	2	BRASS	SOLDER TAIL	5
1	1	1	1	1	1	BRASS	INSULATOR	4
1	1	1	1	1	1	PE-606	HOUSING	3
1	1	1	1	1	1	PBT BLACK	CONTACT	2
1	1	1	1	1	1	BRASS		1
6--2	1--2	6--1	1--1	6--0	1--0	MATERIAL	DESCRIPTION	ITEM

THIS DRAWING IS A CONTROLLED DOCUMENT.

DWN: RITA ZUO 14 Feb 09
 CHK: ANSON MA 14 Feb 09
 APVD: BOB ZHAO 14 Feb 09

TE Connectivity
BNC HIGH PROFILE R/A INSULATED PCB SOCKET 50 OHM BLACK

108-112000
 APPLICATION SPEC

SCALE: NTS SHEET: 1 of 1 REV: E