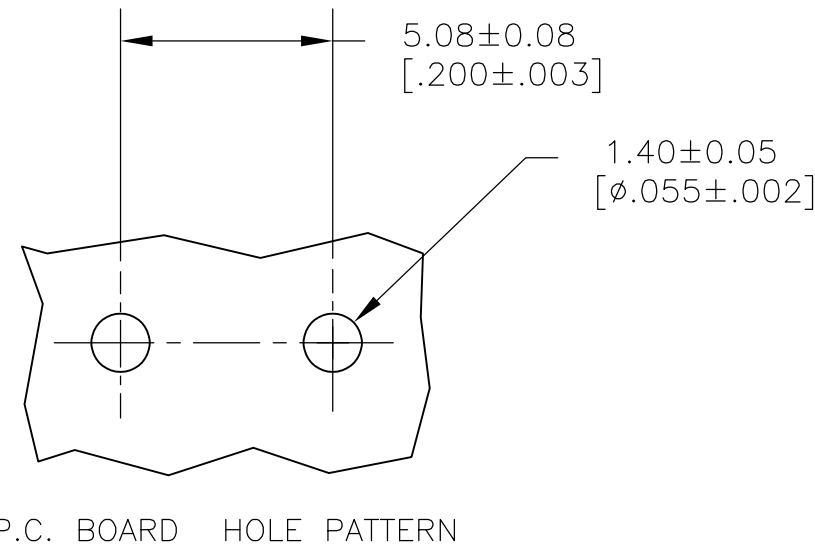
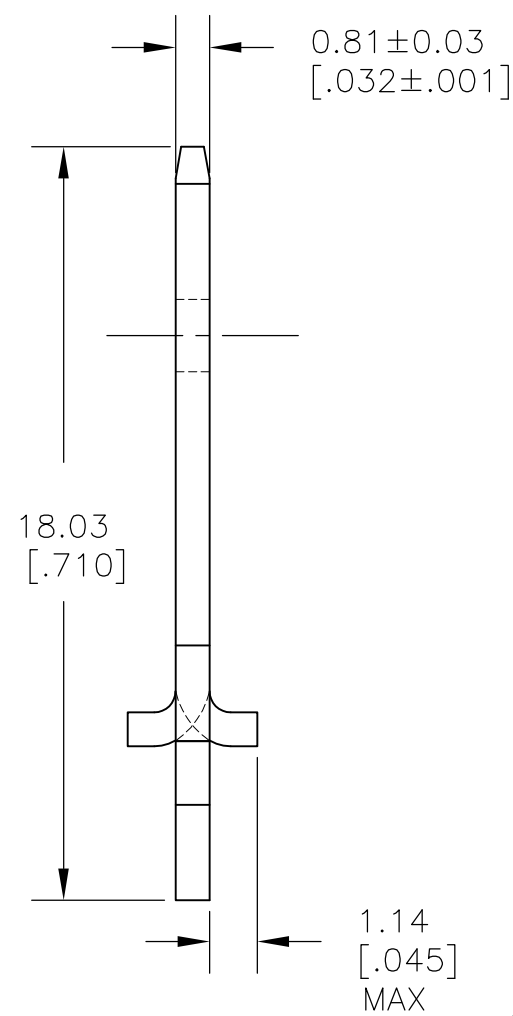
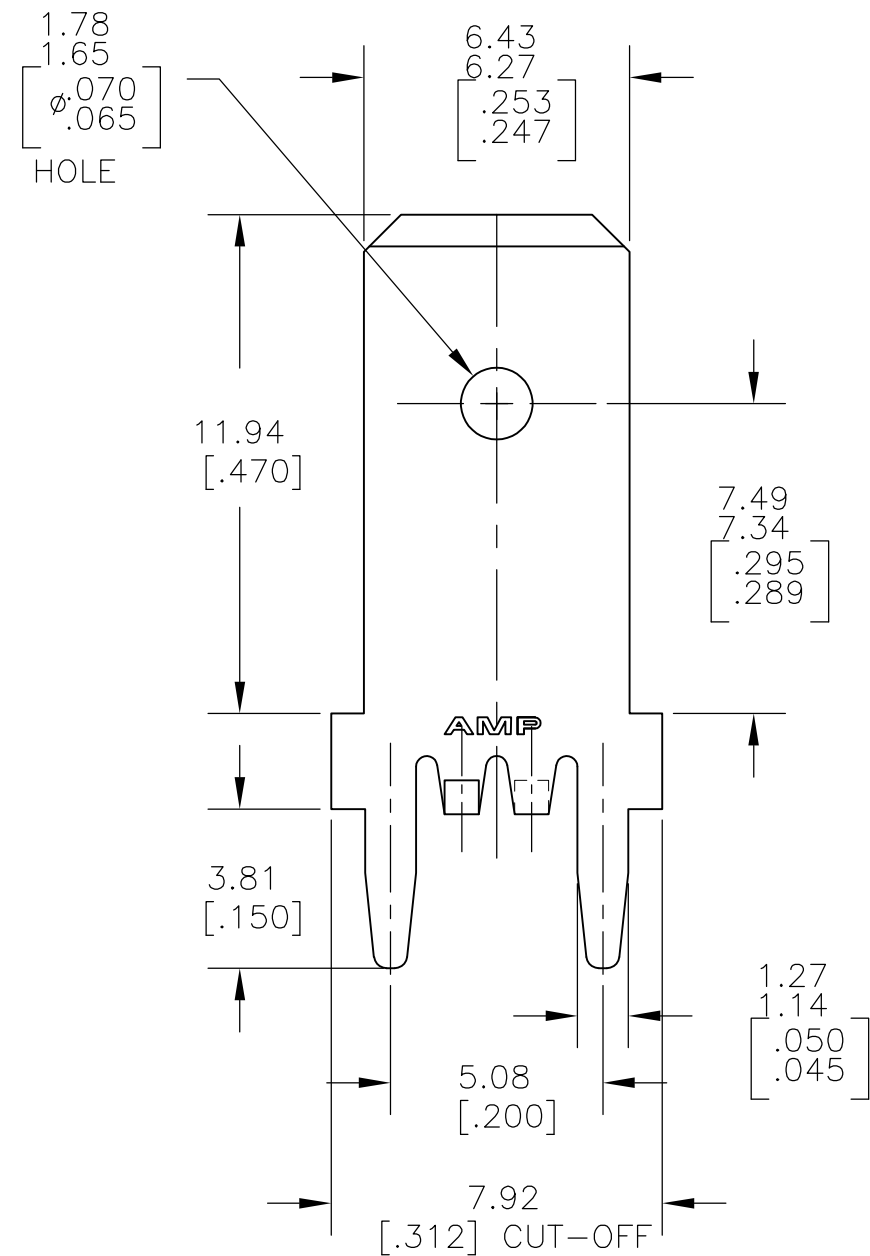


THIS DRAWING IS UNPUBLISHED. RELEASED FOR PUBLICATION
 © COPYRIGHT - By - ALL RIGHTS RESERVED.

LOC	DIST	REVISIONS					
AF	50	P	LTR	DESCRIPTION	DATE	DWN	APVD
		B		REVISED PER ECR-13-001204	28JUN13	KH	PD

25-07704 = 1217169-1



- 1 SUPPLIED IN LOOSE PIECE AFTER PLATING, BARE EDGES AT CUT-OFFS.
- 2 TIN PLATE 0.00381 [.000150] MIN OVER 0.00254 [.000100] MIN THK COPPER.

1217169-1
PART NO.

THIS DRAWING IS A CONTROLLED DOCUMENT.		DWN	JR RUTH	28MAR01	 TE Connectivity	NAME		TAB, FASTON, P.C.BOARD					
DIMENSIONS: mm [INCHES]		CHK	MS FEHER	28MAR01		PRODUCT SPEC		6.35 [.250]					
TOLERANCES UNLESS OTHERWISE SPECIFIED:		APVD	N DEIBERT	28MAR01		APPLICATION SPEC		SIZE	CAGE CODE	DRAWING NO			
0 PLC ± - 1 PLC ± - 2 PLC ± 0.25 [.010] 3 PLC ± - 4 PLC ± - ANGLES ± -		MATERIAL		BRASS		FINISH	2	WEIGHT	-	A3	00779	C-1217169	RESTRICTED TO
CUSTOMER DRAWING							SCALE	6:1	SHEET	1 of 1	REV	B	