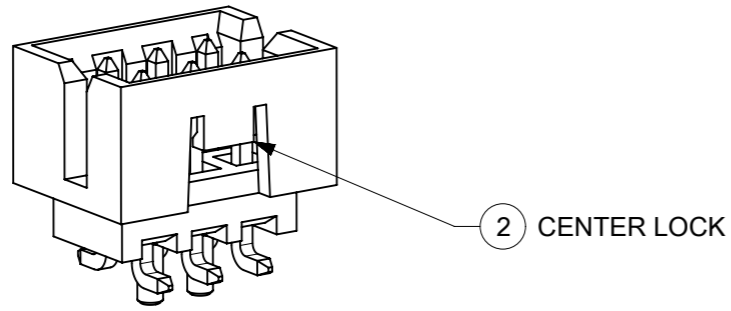
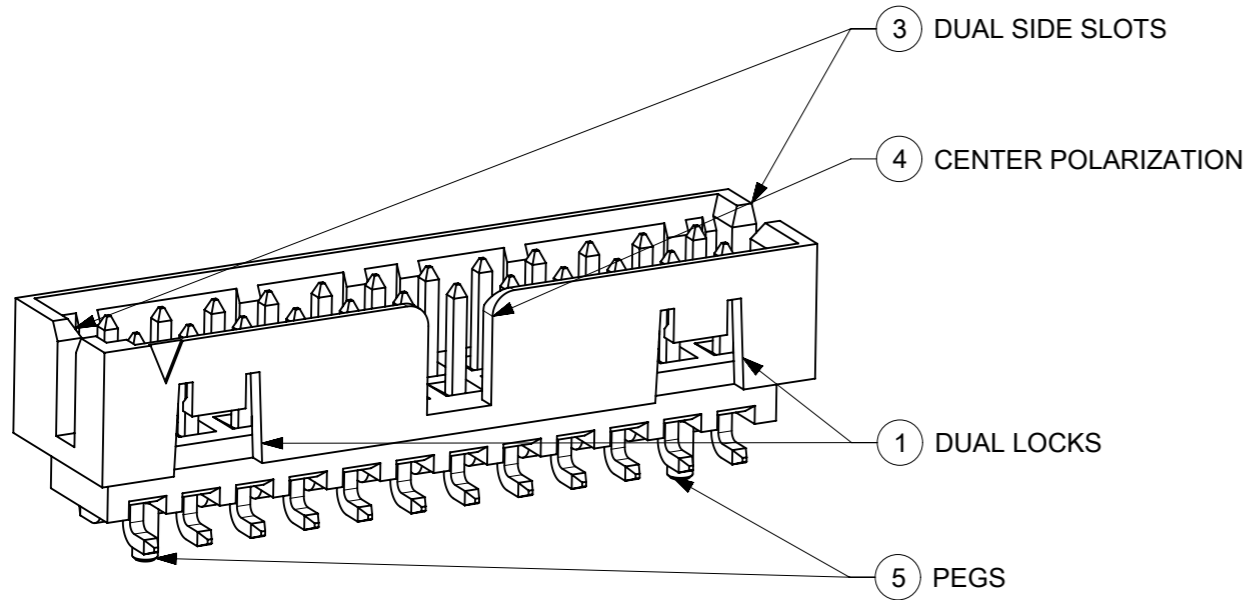


FEATURES SELECTION GUIDE

25-07664



2 CENTER LOCK



3 DUAL SIDE SLOTS

4 CENTER POLARIZATION

1 DUAL LOCKS

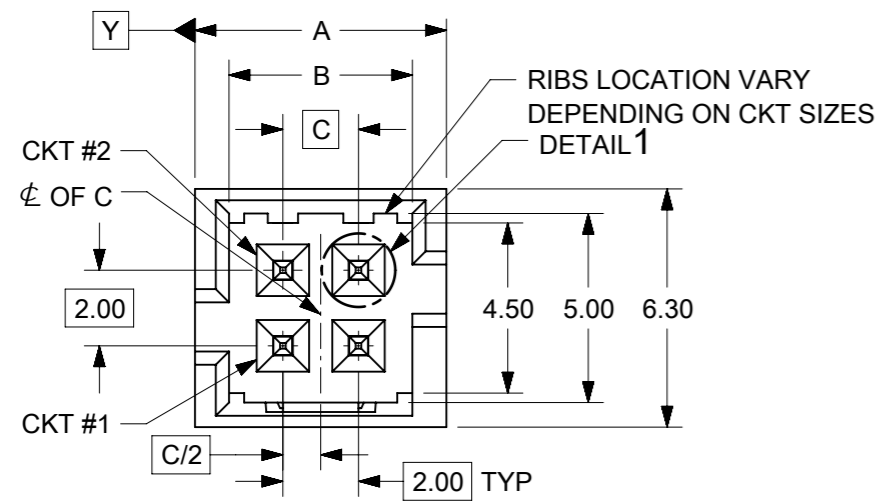
5 PEGS

| CIRCUIT SIZE | FEATURES | | | | | SHEET NO |
|--------------|----------------|----------|-----------------|---------------------|------|----------|
| | FRICTION LOCKS | | DUAL SIDE SLOTS | CENTER POLARIZATION | PEGS | |
| | 1 DUAL | 2 CENTER | | | | |
| 4 | N.A | N.A | YES | N.A | N.A | 2 - 3 |
| | N.A | YES | YES | N.A | N.A | |
| 6 | N.A | N.A | YES | N.A | N.A | 4 - 5 |
| | N.A | N.A | YES | N.A | YES | |
| | N.A | N.A | YES | YES | N.A | |
| | N.A | YES | YES | N.A | N.A | |
| | N.A | YES | YES | N.A | YES | |
| 8 TO 12 | N.A | N.A | YES | YES | YES | 6 - 7 |
| | N.A | N.A | YES | YES | N.A | |
| | N.A | YES | YES | N.A | N.A | |
| 14 TO 50 | YES | N.A | YES | YES | N.A | 8 - 11 |
| | YES | N.A | YES | YES | YES | |

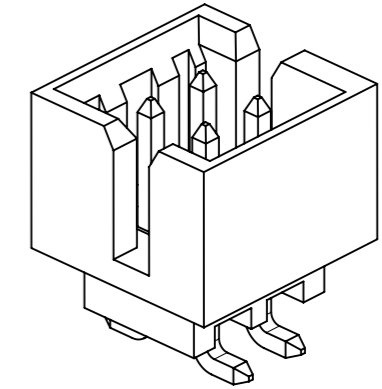
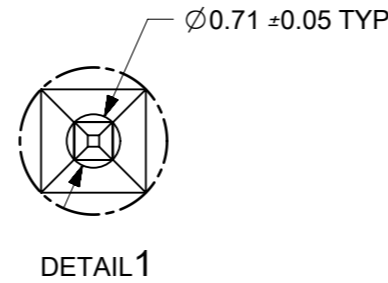
THIS DRAWING CONTAINS INFORMATION THAT IS PROPRIETARY TO MOLEX ELECTRONIC TECHNOLOGIES, LLC AND SHOULD NOT BE USED WITHOUT WRITTEN PERMISSION

| | | | | | | | | | |
|--|--|-------|-----------------|------------------------|-----------------|--|---------------------------|----------|--------------|
| SHT 8 ADDED DATUM Y EC NO: 601748 DRWN: SCS02 CHK'D: ISHWARG REV APPR: ISHWARG | GENERAL TOLERANCES (UNLESS SPECIFIED) | | DIMENSION UNITS | | SCALE | | molex [®] | | |
| | | | MM | INCH | MM | NTS | | | |
| | 4 PLACES | ± | ± | DRWN BY | DATE | MILLIGRID 2MM PITCH, SMT VERTICAL SHROUDED HEADER | | | |
| | 3 PLACES | ± | ± | GMENARLY | 2015/05/22 | | | | |
| | 2 PLACES | ± 0.2 | ± | CHK'D BY | DATE | | | | |
| | 1 PLACES | ± | ± | CGOH | 2015/09/21 | PRODUCT CUSTOMER DRAWING | | | |
| 0 PLACES | ± | ± | APPR BY | DATE | | | | | |
| | ANGULAR TOL = 3.0 | | DRAWING SIZE | THIRD ANGLE PROJECTION | SERIES | MATERIAL NUMBER | CUSTOMER | | |
| | DRAFT WHERE APPLICABLE MUST REMAIN WITHIN DIMENSIONS | | A3 | | 87832 | SEE TABLE | GENERAL MARKET | | |
| A10 | | | | | DOCUMENT NUMBER | | DOC TYPE | DOC PART | SHEET NUMBER |
| | | | | | SD-87832-0001 | | PSD | 001 | 1 OF 12 |

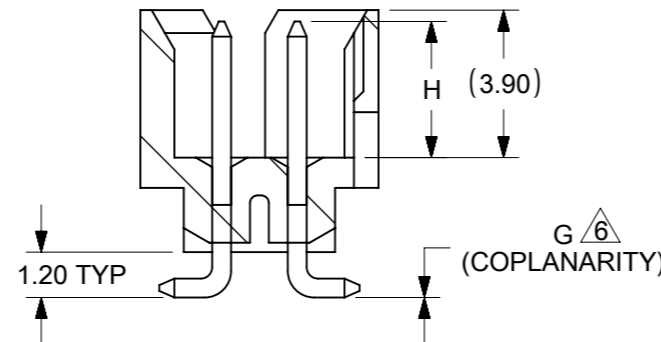
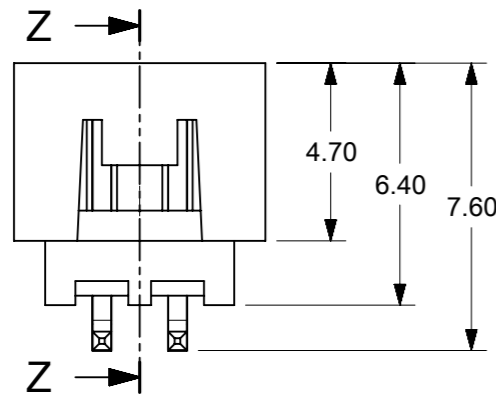
| | | | | |
|----------------|----|--------------|------------|----------|
| RELEASE STATUS | P1 | RELEASE DATE | 2018/07/31 | 00:10:18 |
|----------------|----|--------------|------------|----------|



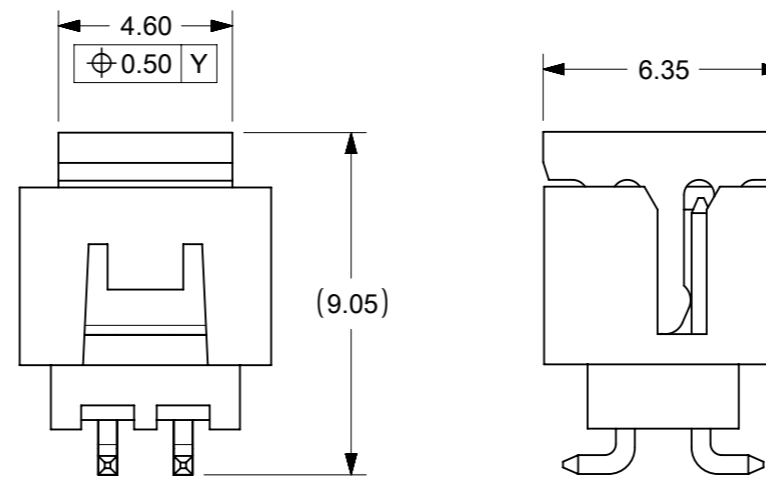
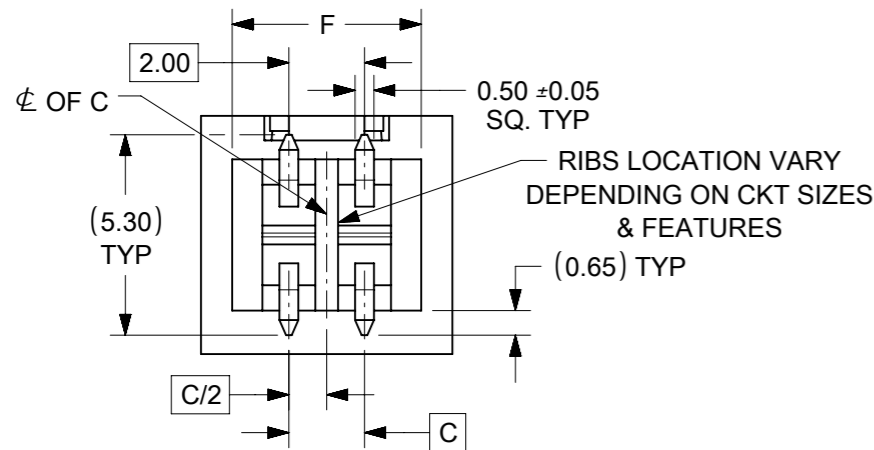
4 CIRCUITS



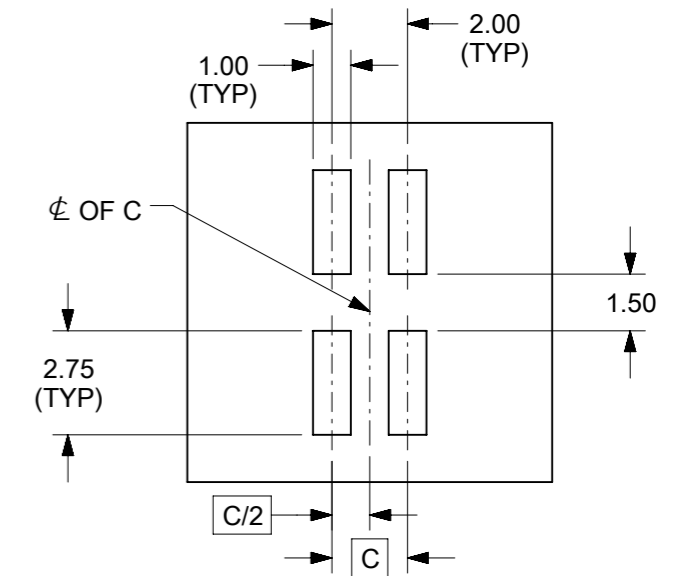
ISO VIEW OF HEADER WITH ONLY DUAL SLOTS



SECTION Z-Z



VIEW FOR HEADER WITH CAP



RECOMMENDED PCB LAYOUT

NOTES:

- MATERIALS:**
HOUSING & CAP: 30% GF, NYLON, UL94V-0, COLOR: BLACK
PIN: 0.50mm SQ. PHOSPHOR BRONZE
- FINISHES:** REFER TO PLATING OPTIONS
- PRODUCT SPECIFICATION:** PS-87831-027
- PACKAGING SPECIFICATION:** SEE PACKAGING SPECS TABLE ON SHEET 12
- MATES WITH:** A. MOLEX CRIMP RECEPTACLE HOUSING: 51110 SERIES AND CRIMP TERMINAL: 50394 SERIES
B. MOLEX 2mm MILLIGRID DUAL ROW IDT: 87568 SERIES
C. MOLEX 2mm MILLIGRID DUAL ROW RECEPTACLE: 79107 (GOLD PLATED), 78787 (TIN PLATED)
- COPLANARITY IS TO BE MEASURED BY RESTING THE SOLDER TAIL ON A GAUGE SURFACE
- BEND DEPRESSION ON SMT TAIL IS ACCEPTABLE SO LONG AS IT DOES NOT AFFECT THE OVERALL COPLANARITY
- TOP SURFACE OF CAP TO BE FLAT FOR THE PURPOSE OF PICK & PLACE BY VACUUM SUCTION NOZZLE

THIS DRAWING CONTAINS INFORMATION THAT IS PROPRIETARY TO MOLEX ELECTRONIC TECHNOLOGIES, LLC AND SHOULD NOT BE USED WITHOUT WRITTEN PERMISSION

| | | | | | | | | | |
|---------------------|------------|--|--------------|-----------------|------------------------|-----------------|----------------|--|--------------|
| SHT 8 ADDED DATUM Y | 2018/07/20 | GENERAL TOLERANCES (UNLESS SPECIFIED) | | DIMENSION UNITS | | SCALE | | molex MILLIGRID 2MM PITCH, SMT VERTICAL SHROUDED HEADER | |
| | 601748 | MM | INCH | MM | NTS | | | | |
| | SCS02 | 4 PLACES | ± | ± | DRWN BY | DATE | | | |
| | ISHWARG | 3 PLACES | ± | ± | GMENARLY | 2015/05/22 | | | |
| | ISHWARG | 2 PLACES | ± | 0.2 | ± | CHK'D BY | DATE | | |
| REV | APPR | 0 PLACES | ± | ± | CGOH | 2015/09/21 | | | |
| A10 | | ANGULAR TOL = 3.0 | | | APPR BY | DATE | | | |
| | | DRAFT WHERE APPLICABLE MUST REMAIN WITHIN DIMENSIONS | | | KHLIM | 2015/09/22 | | | |
| | | | DRAWING SIZE | | THIRD ANGLE PROJECTION | | | | |
| | | | A3 | | | | | | |
| | | | | | SERIES | MATERIAL NUMBER | CUSTOMER | | |
| | | | | | 87832 | SEE TABLE | GENERAL MARKET | | |
| | | | | | DOCUMENT NUMBER | | DOC TYPE | DOC PART | SHEET NUMBER |
| | | | | | SD-87832-0001 | | PSD | 001 | 2 OF 12 |

4 CIRCUITS

| CKT SIZE | ASSY P/N WITHOUT CAP IN TUBE | ASSY P/N WITH CAP IN TUBE | ASSY P/N WITH CAP IN T&R | T&R OPTIONS (SEE SHEET 12) | PLATING OPTIONS | FRICTION LOCKS | | DUAL SIDE SLOTS | CENTER POLARIZATION | PEGS | DIMENSION | | | | | | | | |
|------------|------------------------------|---------------------------|--------------------------|----------------------------|-----------------|----------------|--------|-----------------|---------------------|------|-----------|------|------|-----|-----|------|------------|-----------|--|
| | | | | | | DUAL | CENTER | | | | A | B | C | D | E | F | G (COPLAN) | H | |
| 4 | 87832-0460 | 87832-0462 | 87832-5162 | 1 | 1 | N.A | N.A | YES | N.A | N.A | 6.65 | 4.85 | 2.00 | N.A | N.A | 5.00 | 0.10 | 3.60±0.20 | |
| | 87832-0420 | 87832-0422 | 87832-5122 | 1 | 2 | | | | | | | | | | | | | | |
| | 87832-0421 | 87832-0423 | 87832-5123 | 1 | 3 | | | | | | | | | | | | | | |
| | 87832-0470 | 87832-0472 | 87832-5172 | 1 | 4 | | | | | | | | | | | | | | |
| | 87832-0410 | 87832-0408 | 87832-0406 | 1 | 2 | N.A | YES | YES | N.A | N.A | | | | | | | 0.10 | | |
| | | | 87832-5106 | 2 | 2 | | | | | | | | | | | | | | |
| | 87832-0411 | 87832-0409 | 87832-0407 | 1 | 3 | | | | | | | | | | | | | | |
| 87832-0404 | N.A | N.A | N.A | 2 | | | | | | | | | | | | | | | |

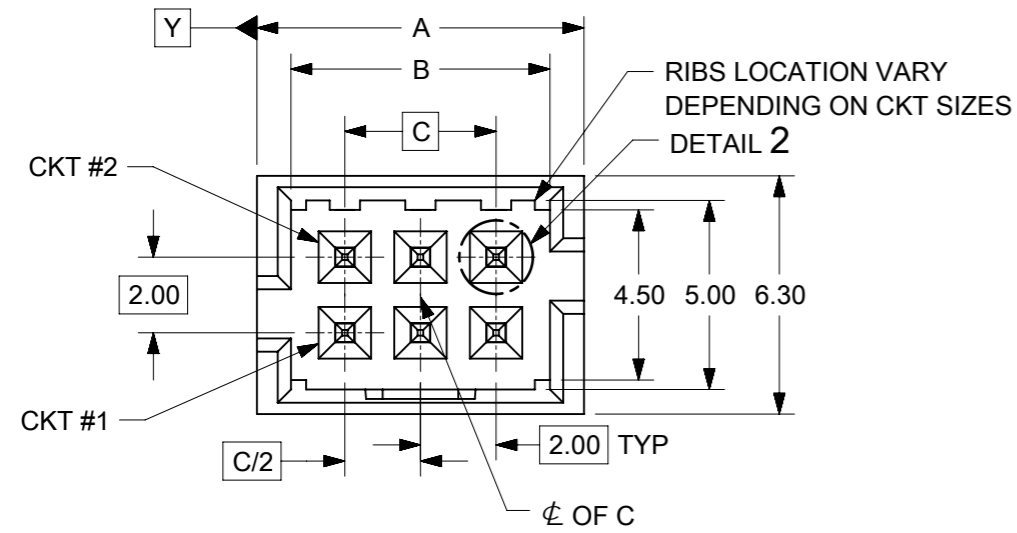
PLATING OPTIONS:

- 1 - 0.05-0.13µm/2-5µin GOLD IN CONTACT AREA AND 1.88µm/75µin MIN. MATTE TIN IN SOLDER TAIL AREA OVER 1.27µm/50µin MIN. NICKEL OVERALL.
- 2 - 0.38µm/15µin MIN. GOLD IN CONTACT AREA AND 1.88µm/75µin MIN. MATTE TIN IN SOLDER TAIL AREA OVER 1.27µm/50µin MIN. NICKEL OVERALL.
- 3 - 0.76µm/30µin MIN. GOLD IN CONTACT AREA AND 1.88µm/75µin MIN. MATTE TIN IN SOLDER TAIL AREA OVER 1.27µm/50µin MIN. NICKEL OVERALL.
- 4 - 2.50µm/100µin MIN. MATTE TIN OVER 1.25µm/50µin MIN. NICKEL OVERALL.

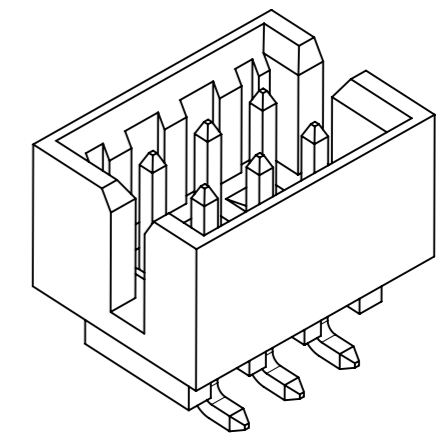
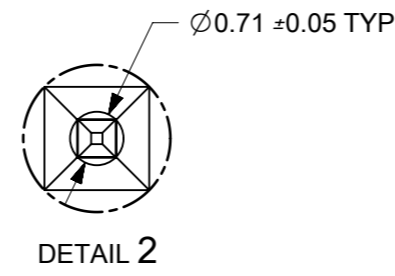
THIS DRAWING CONTAINS INFORMATION THAT IS PROPRIETARY TO MOLEX ELECTRONIC TECHNOLOGIES, LLC AND SHOULD NOT BE USED WITHOUT WRITTEN PERMISSION

| | | | | | | | | |
|---------------------|-------------|---------------------------------------|--------------|--|--------------|--|------------------------|-----------------|
| SHT 8 ADDED DATUM Y | 2018/07/20 | GENERAL TOLERANCES (UNLESS SPECIFIED) | | DIMENSION UNITS | SCALE | molex MILLIGRID 2MM PITCH, SMT VERTICAL SHROUDED HEADER PRODUCT CUSTOMER DRAWING | | |
| | 2018/07/31 | MM | INCH | MM | NTS | | | |
| | 2018/07/31 | 4 PLACES ± | ± | DRWN BY | DATE | | GMENARLY 2015/05/22 | |
| | | 3 PLACES ± | ± | CHK'D BY | DATE | | | CGOH 2015/09/21 |
| | | 2 PLACES ± | 0.2 | ± | APPR BY | | DATE | |
| | | 1 PLACES ± | ± | ± | DRAWING SIZE | | THIRD ANGLE PROJECTION | A3 |
| | 0 PLACES ± | ± | ± | ANGULAR TOL = 3.0 | | | | |
| EC NO: 601748 | DRWN: SCS02 | CHKD: ISHWARG | APP: ISHWARG | DRAFT WHERE APPLICABLE MUST REMAIN WITHIN DIMENSIONS | | | | |

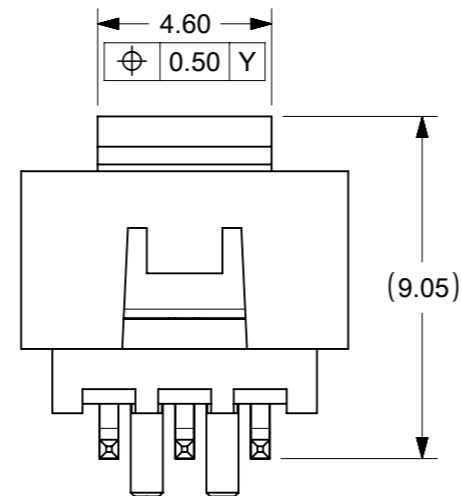
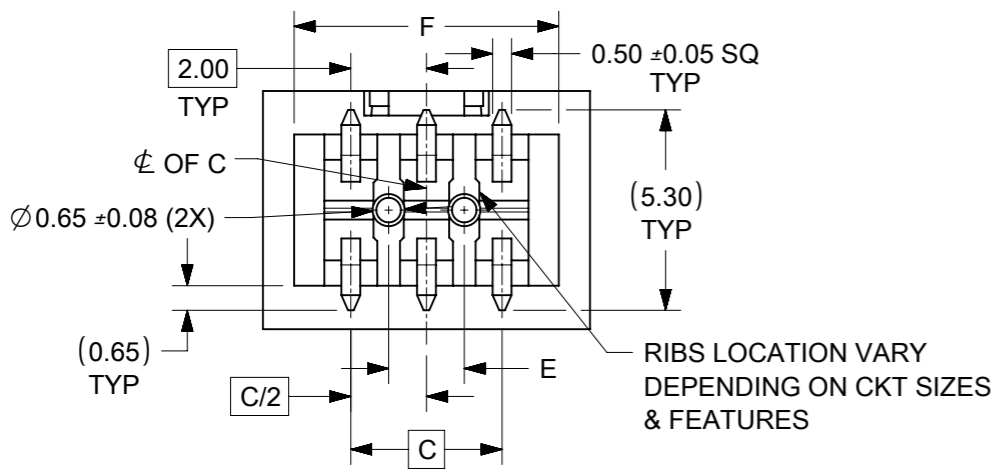
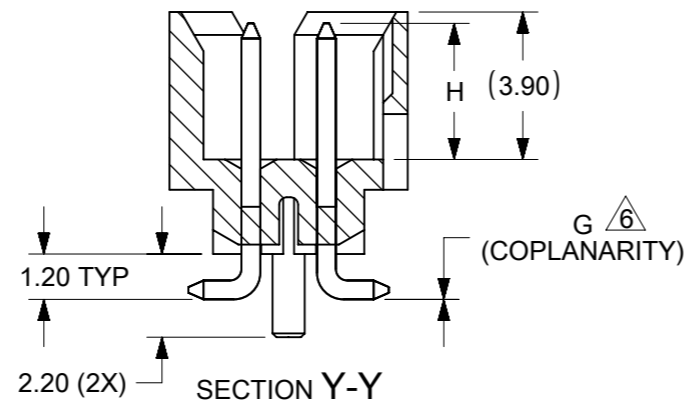
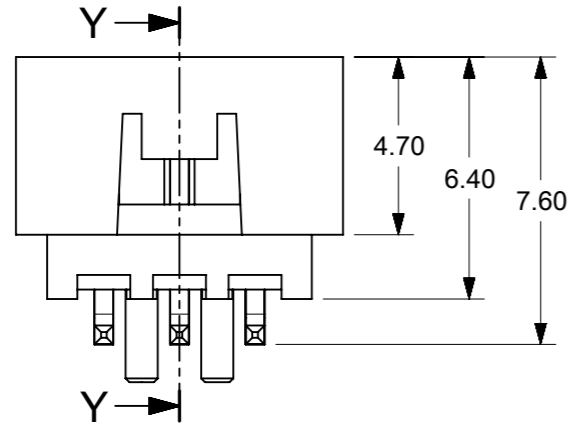
| | | | | |
|----------------|----|--------------|------------|----------|
| RELEASE STATUS | P1 | RELEASE DATE | 2018/07/31 | 00:10:18 |
|----------------|----|--------------|------------|----------|



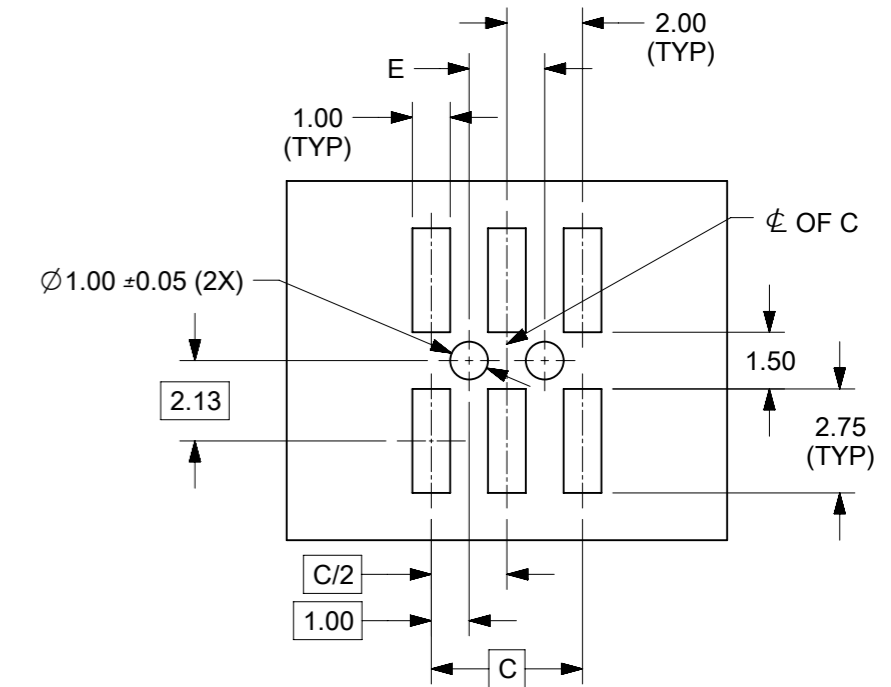
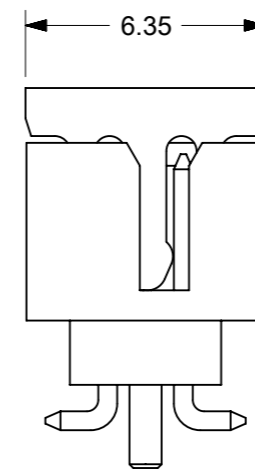
6 CIRCUITS



VIEW FOR HEADER WITH ONLY DUAL SLOTS



VIEW FOR HEADER WITH CAP



RECOMMENDED PCB LAYOUT

- NOTES:
- MATERIALS:
HOUSING & CAP: 30% GF, NYLON, UL94V-0, COLOR: BLACK
PIN: 0.50mm SQ. PHOSPHOR BRONZE
 - FINISHES: REFER TO PLATING OPTIONS
 - PRODUCT SPECIFICATION: PS-87831-027
 - PACKAGING SPECIFICATION: SEE PACKAGING SPECS TABLE ON SHEET 12
 - MATES WITH: A. MOLEX CRIMP RECEPTACLE HOUSING: 51110 SERIES AND CRIMP TERMINAL: 50394 SERIES
B. MOLEX 2mm MILLIGRID DUAL ROW IDT: 87568 SERIES
C. MOLEX 2mm MILLIGRID DUAL ROW RECEPTACLE: 79107 (GOLD PLATED), 78787 (TIN PLATED)
- 6 COPLANARITY IS TO BE MEASURED BY RESTING THE SOLDER TAIL ON A GAUGE SURFACE
7. BEND DEPRESSION ON SMT TAIL IS ACCEPTABLE SO LONG AS IT DOES NOT AFFECT THE OVERALL COPLANARITY
8. TOP SURFACE OF CAP TO BE FLAT FOR THE PURPOSE OF PICK & PLACE BY VACUUM SUCTION NOZZLE

THIS DRAWING CONTAINS INFORMATION THAT IS PROPRIETARY TO MOLEX ELECTRONIC TECHNOLOGIES, LLC AND SHOULD NOT BE USED WITHOUT WRITTEN PERMISSION

| | | | | | | | | | | |
|---------------------|---------------|--|-----------------|------------------------|--------------------------|------------|---------------------------|--|----------------|--------------|
| SHT 8 ADDED DATUM Y | 2018/07/20 | GENERAL TOLERANCES (UNLESS SPECIFIED) | DIMENSION UNITS | | SCALE | | molex [®] | | | |
| | 2018/07/31 | | MM | INCH | MM | NTS | | | | |
| | 2018/07/31 | | 4 PLACES ± | ± | DRWN BY | DATE | | MILLIGRID 2MM PITCH, SMT VERTICAL SHROUDED HEADER | | |
| | EC NO: 601748 | | 3 PLACES ± | ± | GMENARLY | 2015/05/22 | | | | |
| | DRWN: SCS02 | | 2 PLACES ± 0.2 | ± | CHK'D BY | DATE | | | | |
| CHK'D: ISHWARG | 1 PLACES ± | ± | CGOH | 2015/09/21 | PRODUCT CUSTOMER DRAWING | | | | | |
| APP'R: ISHWARG | 0 PLACES ± | ± | APPR BY | DATE | | | | | | |
| A10 | REV | ANGULAR TOL = 3.0 | DRAWING SIZE | THIRD ANGLE PROJECTION | KHLIM | 2015/09/22 | SERIES | MATERIAL NUMBER | CUSTOMER | |
| | | DRAFT WHERE APPLICABLE MUST REMAIN WITHIN DIMENSIONS | A3 | | | | 87832 | SEE TABLE | GENERAL MARKET | |
| | | | | | | | DOCUMENT NUMBER | DOC TYPE | DOC PART | SHEET NUMBER |
| | | | | | | | SD-87832-0001 | PSD | 001 | 4 OF 12 |

6 CIRCUITS

| CKT SIZE | ASSY P/N WITHOUT CAP IN TUBE | ASSY P/N WITH CAP IN TUBE | ASSY P/N WITH CAP IN T&R | T&R OPTIONS (SEE SHEET 12) | PLATING OPTIONS | FRICTION LOCKS | | DUAL SIDE SLOTS | CENTER POLARIZATION | PEGS | DIMENSION | | | | | | | |
|------------|------------------------------|---------------------------|--------------------------|----------------------------|-----------------|----------------|--------|-----------------|---------------------|------|-----------|------|------|-----|------|------|------------|-----------|
| | | | | | | DUAL | CENTER | | | | A | B | C | D | E | F | G (COPLAN) | H |
| 6 | 87832-0660 | 87832-0662 | 87832-5262 | 1 | 1 | N.A | N.A | YES | N.A | YES | 8.65 | 6.85 | 4.00 | N.A | 2.00 | 7.00 | 0.10 | 3.60±0.20 |
| | 87832-0620 | 87832-0622 | 87832-5222 | 1 | 2 | | | | | | | | | | | | 0.10 | 3.60±0.20 |
| | 87832-0621 | 87832-0623 | 87832-5223 | 1 | 3 | | | | | | | | | | | | 0.10 | 3.60±0.15 |
| | 87832-0670 | 87832-0672 | 87832-5272 | 1 | 4 | | | | | | | | | | | | 0.10 | 3.60±0.20 |
| | 87832-0612 | 87832-0616 | 87832-0614 | 1 | 2 | N.A | N.A | YES | N.A | N.A | | | | | | | 0.10 | 3.60±0.20 |
| | 87832-0613 | 87832-0617 | 87832-0615 | 1 | 3 | N.A | N.A | YES | YES | N.A | | | | | | | 0.10 | 3.60±0.20 |
| | 87832-0624 | 87832-0626 | 87832-0628 | 1 | 2 | N.A | YES | YES | N.A | N.A | | | | | | | 0.10 | 3.60±0.20 |
| | 87832-0625 | 87832-0627 | 87832-0629 | 1 | 3 | N.A | YES | YES | N.A | YES | | | | | | | 0.10 | 3.60±0.20 |
| | 87832-0610 | 87832-0608 | 87832-0606 | 1 | 2 | N.A | YES | YES | N.A | YES | | | | | | | 0.10 | 3.60±0.20 |
| | 87832-0611 | 87832-0609 | 87832-0607 | 1 | 3 | N.A | YES | YES | N.A | YES | | | | | | | 0.10 | 3.60±0.20 |
| 87832-0604 | N.A | N.A | N.A | 2 | N.A | YES | YES | N.A | YES | 0.10 | 3.60±0.20 | | | | | | | |

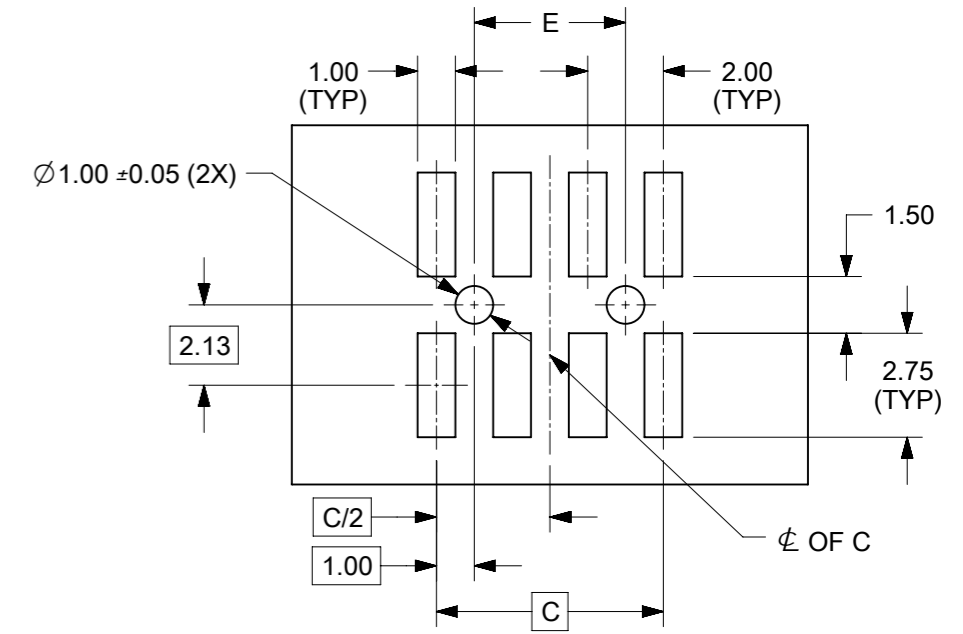
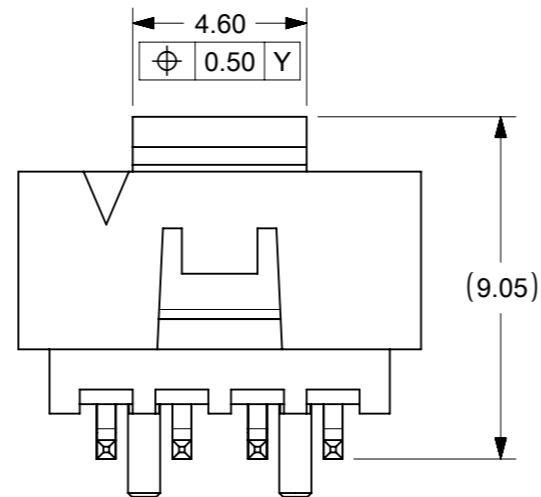
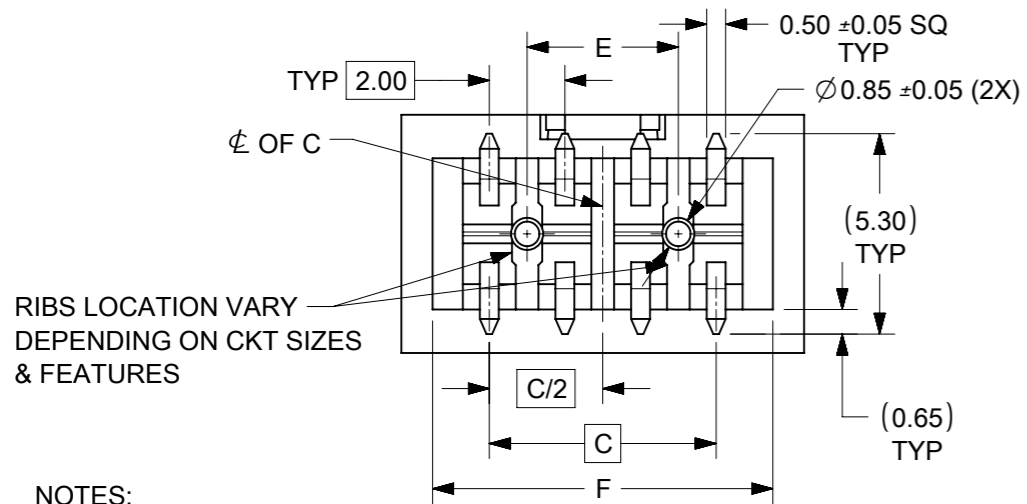
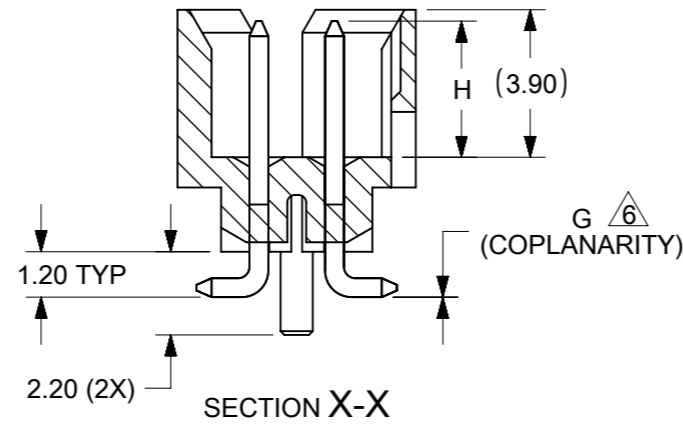
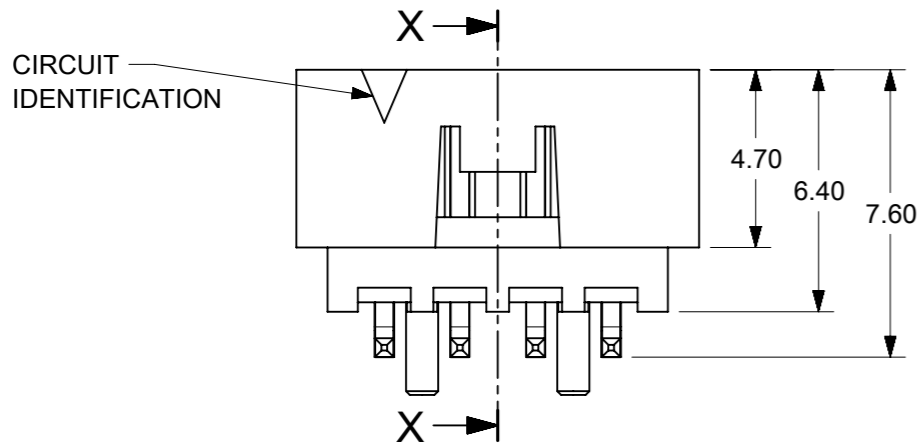
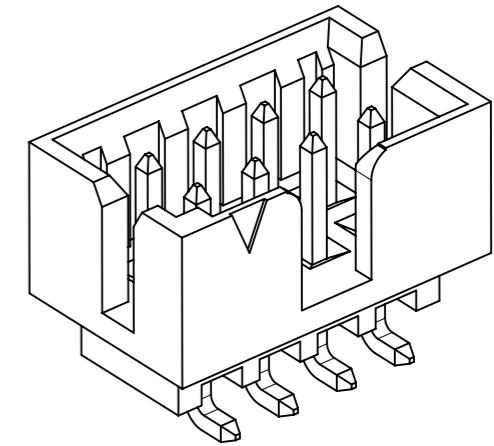
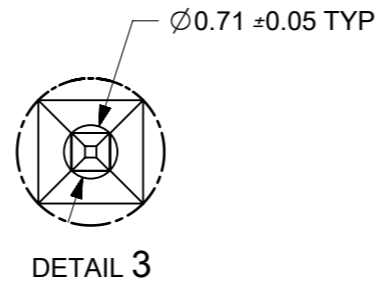
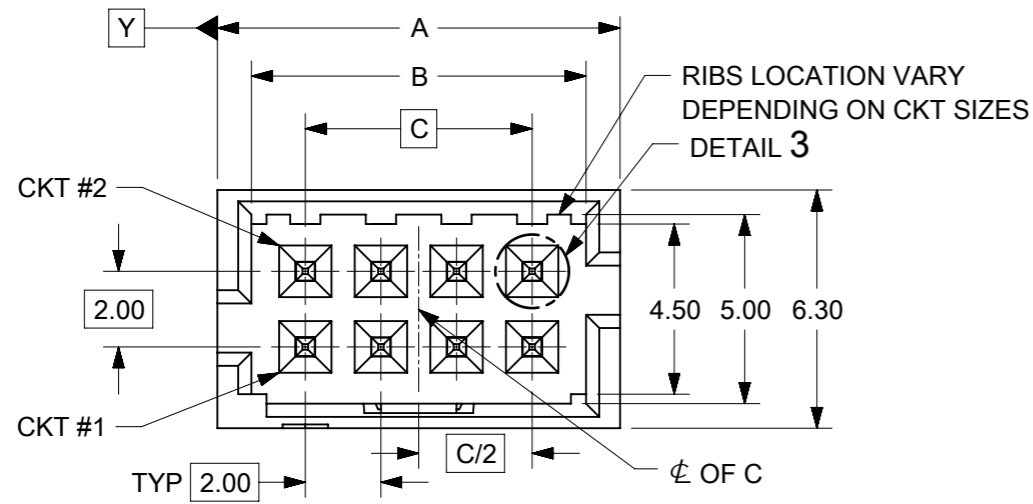
PLATING OPTIONS:

- 1 - 0.05-0.13µm/2-5µin GOLD IN CONTACT AREA AND 1.88µm/75µin MIN. MATTE TIN IN SOLDER TAIL AREA OVER 1.27µm/50µin MIN. NICKEL OVERALL.
- 2 - 0.38µm/15µin MIN. GOLD IN CONTACT AREA AND 1.88µm/75µin MIN. MATTE TIN IN SOLDER TAIL AREA OVER 1.27µm/50µin MIN. NICKEL OVERALL.
- 3 - 0.76µm/30µin MIN. GOLD IN CONTACT AREA AND 1.88µm/75µin MIN. MATTE TIN IN SOLDER TAIL AREA OVER 1.27µm/50µin MIN. NICKEL OVERALL.
- 4 - 2.50µm/100µin MIN. MATTE TIN OVER 1.25µm/50µin MIN. NICKEL OVERALL.

THIS DRAWING CONTAINS INFORMATION THAT IS PROPRIETARY TO MOLEX ELECTRONIC TECHNOLOGIES, LLC AND SHOULD NOT BE USED WITHOUT WRITTEN PERMISSION

| | | | | | | | | |
|---|-------------------|---------------------------------------|--------------|------------------------|---|---|--|--|
| SHT 8 ADDED DATUM Y EC NO: 601748 DRWN: SCS02 CHKD: ISHWARG REV APPR: ISHWARG | 2018/07/20 | GENERAL TOLERANCES (UNLESS SPECIFIED) | | DIMENSION UNITS | SCALE | molex® | | |
| | 2018/07/31 | MM | INCH | MM | NTS | | | |
| | 2018/07/31 | 4 PLACES ± | ± | DRWN BY | DATE | MILLIGRID 2MM PITCH, SMT VERTICAL SHROUDED HEADER | | |
| | A10 | 3 PLACES ± | ± | GMENARLY | 2015/05/22 | | | |
| | REV | 2 PLACES ± 0.2 | ± | CHK'D BY | DATE | PRODUCT CUSTOMER DRAWING | | |
| | A10 | 1 PLACES ± | ± | CGOH | 2015/09/21 | | | |
| REV | 0 PLACES ± | ± | APPR BY | DATE | SERIES MATERIAL NUMBER CUSTOMER 87832 SEE TABLE GENERAL MARKET | | | |
| A10 | ANGULAR TOL = 3.0 | | KHLIM | 2015/09/22 | | | | |
| DRAFT WHERE APPLICABLE MUST REMAIN WITHIN DIMENSIONS | | | DRAWING SIZE | THIRD ANGLE PROJECTION | | DOCUMENT NUMBER DOC TYPE DOC PART SHEET NUMBER SD-87832-0001 PSD 001 5 OF 12 | | |
| | | | A3 | | | | | |

8 TO 12 CIRCUITS



- NOTES:
- MATERIALS:
HOUSING & CAP: 30% GF, NYLON, UL94V-0, COLOR: BLACK
PIN: 0.50mm SQ. PHOSPHOR BRONZE
 - FINISHES: REFER TO PLATING OPTIONS
 - PRODUCT SPECIFICATION: PS-87831-027
 - PACKAGING SPECIFICATION: SEE PACKAGING SPECS TABLE ON SHEET 12
 - MATES WITH: A. MOLEX CRIMP RECEPTACLE HOUSING: 51110 SERIES AND CRIMP TERMINAL: 50394 SERIES
B. MOLEX 2mm MILLIGRID DUAL ROW IDT: 87568 SERIES
C. MOLEX 2mm MILLIGRID DUAL ROW RECEPTACLE: 79107 (GOLD PLATED), 78787 (TIN PLATED)
 - COPLANARITY IS TO BE MEASURED BY RESTING THE SOLDER TAIL ON A GAUGE SURFACE
 - BEND DEPRESSION ON SMT TAIL IS ACCEPTABLE SO LONG AS IT DOES NOT AFFECT THE OVERALL COPLANARITY
 - TOP SURFACE OF CAP TO BE FLAT FOR THE PURPOSE OF PICK & PLACE BY VACUUM SUCTION NOZZLE

THIS DRAWING CONTAINS INFORMATION THAT IS PROPRIETARY TO MOLEX ELECTRONIC TECHNOLOGIES, LLC AND SHOULD NOT BE USED WITHOUT WRITTEN PERMISSION

| | | | | | | | |
|---------------------|---------------|---------------------------------------|------|-----------------|--|---|--|
| SHT 8 ADDED DATUM Y | 2018/07/20 | GENERAL TOLERANCES (UNLESS SPECIFIED) | | DIMENSION UNITS | | SCALE | |
| | 2018/07/31 | MM | INCH | MM | NTS | MILLIGRID 2MM PITCH, SMT VERTICAL SHROUDED HEADER PRODUCT CUSTOMER DRAWING SERIES: 87832 MATERIAL NUMBER: SEE TABLE CUSTOMER: GENERAL MARKET DOCUMENT NUMBER: SD-87832-0001 DOC TYPE: PSD DOC PART: 001 SHEET NUMBER: 6 OF 12 | |
| | 2018/07/31 | 4 PLACES | ± | ± | DRWN BY: GMENARLY DATE: 2015/05/22 | | |
| | EC NO: 601748 | 3 PLACES | ± | ± | CHK'D BY: CGOH DATE: 2015/09/21 | | |
| | DRWN: SCS02 | 2 PLACES | ± | 0.2 | ± | | |
| CHK'D: ISHWARG | 1 PLACES | ± | ± | ± | DRAWING SIZE: A3 THIRD ANGLE PROJECTION | | |
| REV APPR: ISHWARG | 0 PLACES | ± | ± | ± | DRAFT WHERE APPLICABLE MUST REMAIN WITHIN DIMENSIONS | | |


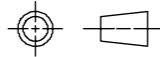
8 TO 12 CIRCUITS

| CKT SIZE | ASSY P/N WITHOUT CAP IN TUBE | ASSY P/N WITH CAP IN TUBE | ASSY P/N WITH CAP IN T&R | T&R OPTIONS (SEE SHEET 12) | PLATING OPTIONS | FRICTION LOCKS | | DUAL SIDE SLOTS | CENTER POLARIZATION | PEGS | DIMENSION | | | | | | | |
|------------|------------------------------|---------------------------|--------------------------|----------------------------|-----------------|----------------|--------|-----------------|---------------------|------|-----------|-------|-------|-----|------|-------|------------|-----------|
| | | | | | | DUAL | CENTER | | | | A | B | C | D | E | F | G (COPLAN) | H |
| 8 | 87832-0860 | 87832-0862 | 87832-5362 | 1 | 1 | N.A | N.A | YES | YES | YES | 10.65 | 8.85 | 6.00 | N.A | 4.00 | 9.00 | 0.10 | 3.60±0.20 |
| | 87832-0820 | 87832-0822 | 87832-5322 | 1 | 2 | | | | | | | | | | | | | |
| | 87832-0821 | 87832-0823 | 87832-5323 | 1 | 3 | | | | | | | | | | | | | |
| | 87832-0870 | 87832-0872 | 87832-5372 | 1 | 4 | N.A | N.A | YES | YES | N.A | | | | | | | 0.10 | 3.60±0.20 |
| | 87832-0812 | 87832-0816 | 87832-0814 | 1 | 2 | | | | | | | | | | | | | |
| | 87832-0824 | 87832-0826 | 87832-0828 | 1 | 2 | N.A | YES | YES | N.A | N.A | | | | | | | 0.10 | 3.60±0.15 |
| | 87832-0825 | 87832-0827 | 87832-0829 | 1 | 3 | | | | | | | | | | | | | |
| | 87832-0810 | 87832-0808 | 87832-0806 | 1 | 2 | N.A | YES | YES | N.A | YES | | | | | | | 0.10 | 3.60±0.20 |
| | 87832-0811 | 87832-0809 | 87832-0807 | 1 | 3 | | | | | | | | | | | | | |
| 87832-0804 | N.A | N.A | N.A | 2 | N.A | YES | YES | N.A | YES | 0.10 | 3.60±0.20 | | | | | | | |
| 10 | 87832-1060 | 87832-1062 | 87832-5462 | 1 | 1 | N.A | N.A | YES | YES | YES | 12.65 | 10.85 | 8.00 | N.A | 6.00 | 11.00 | 0.10 | 3.60±0.20 |
| | 87832-1020 | 87832-1022 | 87832-5422 | 1 | 2 | | | | | | | | | | | | | |
| | 87832-1021 | 87832-1023 | 87832-5423 | 1 | 3 | | | | | | | | | | | | | |
| | | | 87832-9423 | 2 | | | | | | | | | | | | | | |
| | 87832-1070 | 87832-1072 | 87832-5472 | 1 | 4 | N.A | N.A | YES | YES | N.A | | | | | | | 0.10 | 3.60±0.20 |
| | 87832-1012 | 87832-1016 | 87832-1014 | 1 | 2 | | | | | | | | | | | | | |
| | 87832-1024 | 87832-1026 | 87832-1028 | 1 | 2 | N.A | YES | YES | N.A | N.A | | | | | | | 0.10 | 3.60±0.15 |
| | 87832-1025 | 87832-1027 | 87832-1029 | 1 | 3 | | | | | | | | | | | | | |
| | 87832-1010 | 87832-1008 | 87832-1006 | 1 | 2 | N.A | YES | YES | N.A | YES | | | | | | | 0.10 | 3.60±0.20 |
| 87832-1011 | 87832-1009 | 87832-1007 | 1 | 3 | | | | | | | | | | | | | | |
| 87832-1004 | N.A | N.A | N.A | 2 | N.A | YES | YES | N.A | YES | 0.10 | 3.60±0.20 | | | | | | | |
| 12 | 87832-1260 | 87832-1262 | 87832-5562 | 1 | 1 | N.A | N.A | YES | YES | YES | 14.65 | 12.85 | 10.00 | N.A | 8.00 | 13.00 | 0.10 | 3.60±0.20 |
| | 87832-1220 | 87832-1222 | 87832-5522 | 1 | 2 | | | | | | | | | | | | | |
| | 87832-1221 | 87832-1223 | 87832-5523 | 1 | 3 | | | | | | | | | | | | | |
| | | | 87832-9623 | 2 | | | | | | | | | | | | | | |
| | 87832-1270 | 87832-1272 | 87832-5572 | 1 | 4 | N.A | YES | YES | N.A | N.A | | | | | | | 0.10 | 3.60±0.15 |
| | 87832-1224 | 87832-1226 | 87832-1228 | 1 | 2 | | | | | | | | | | | | | |
| | 87832-1225 | 87832-1227 | 87832-1229 | 1 | 3 | N.A | YES | YES | N.A | YES | | | | | | | 0.10 | 3.60±0.20 |
| | 87832-1210 | 87832-1208 | 87832-1206 | 1 | 2 | | | | | | | | | | | | | |
| | 87832-1211 | 87832-1209 | 87832-1207 | 1 | 3 | N.A | YES | YES | N.A | YES | | | | | | | 0.10 | 3.60±0.20 |
| 87832-1204 | N.A | N.A | N.A | 2 | | | | | | | | | | | | | | |
| 87832-1212 | N.A | N.A | N.A | 2 | N.A | N.A | YES | YES | N.A | 0.10 | 3.60±0.20 | | | | | | | |

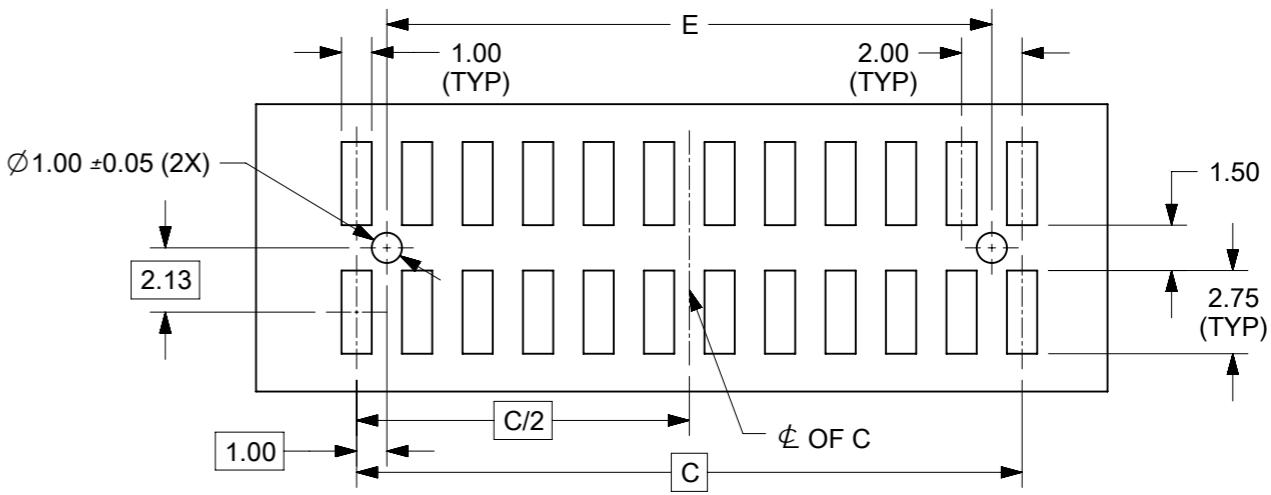
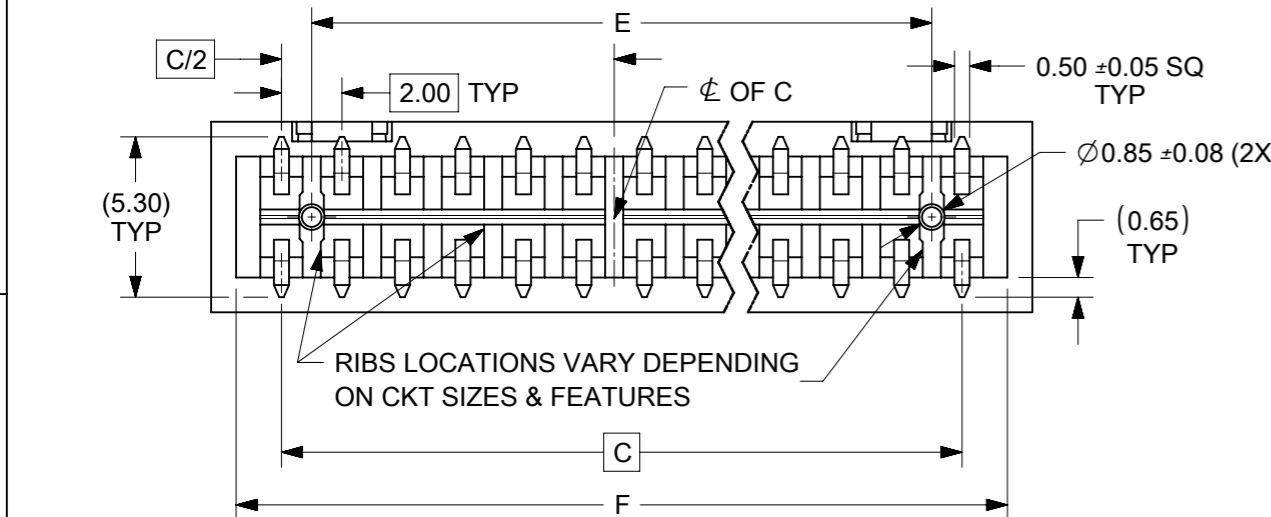
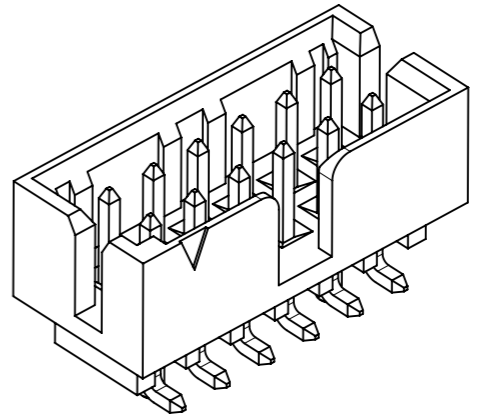
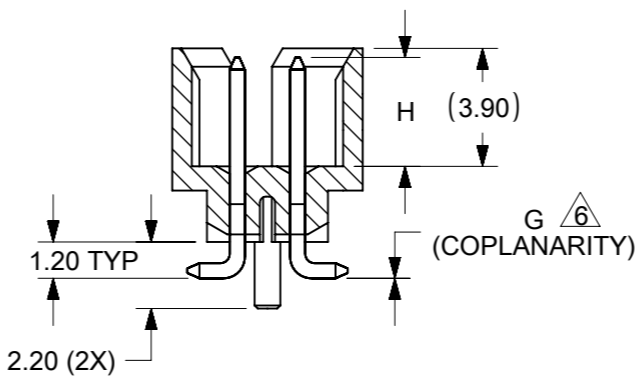
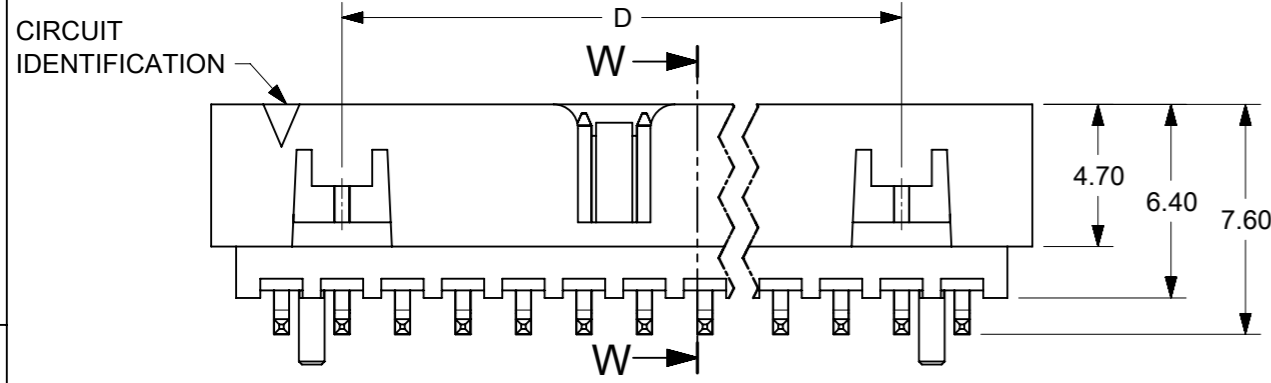
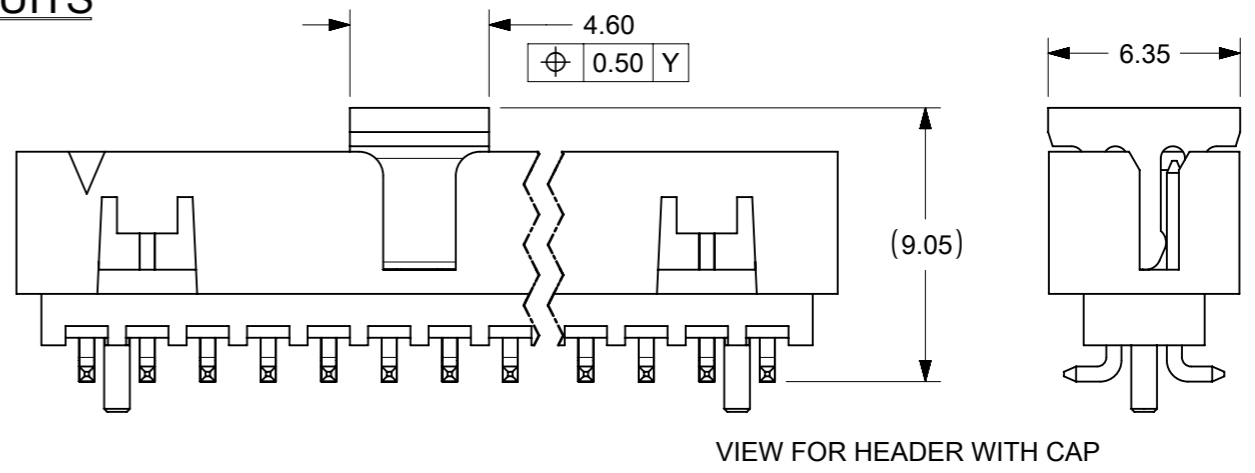
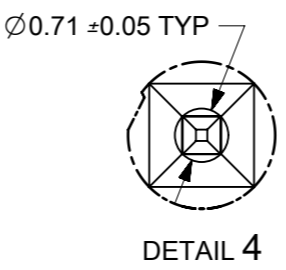
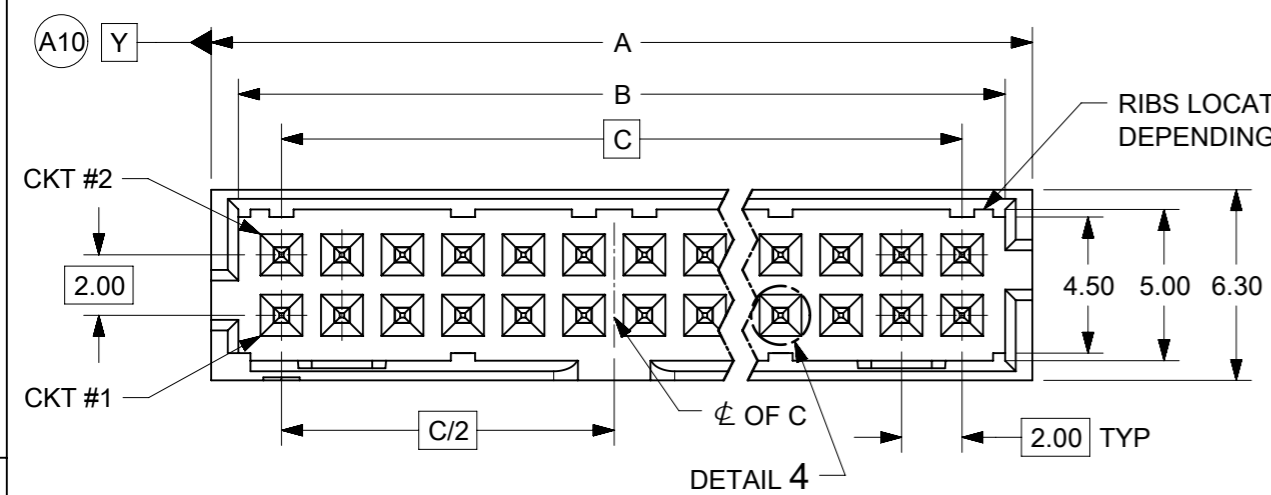
PLATING OPTIONS:

- 0.05-0.13µm/2-5µin GOLD IN CONTACT AREA AND 1.88µm/75µin MIN. MATTE TIN IN SOLDER TAIL AREA OVER 1.27µm/50µin MIN. NICKEL OVERALL.
- 0.38µm/15µin MIN. GOLD IN CONTACT AREA AND 1.88µm/75µin MIN. MATTE TIN IN SOLDER TAIL AREA OVER 1.27µm/50µin MIN. NICKEL OVERALL.
- 0.76µm/30µin MIN. GOLD IN CONTACT AREA AND 1.88µm/75µin MIN. MATTE TIN IN SOLDER TAIL AREA OVER 1.27µm/50µin MIN. NICKEL OVERALL.
- 2.50µm/100µin MIN. MATTE TIN OVER 1.25µm/50µin MIN. NICKEL OVERALL.

THIS DRAWING CONTAINS INFORMATION THAT IS PROPRIETARY TO MOLEX ELECTRONIC TECHNOLOGIES, LLC AND SHOULD NOT BE USED WITHOUT WRITTEN PERMISSION

| | | | | | | | | |
|---|------------|---------------------------------------|--|-----------------|------------|---|------------------------|--|
| SHT 8 ADDED DATUM Y EC NO: 601748 DRWN: SCS02 CHKD: ISHWARG REV APPR: ISHWARG | 2018/07/20 | GENERAL TOLERANCES (UNLESS SPECIFIED) | | DIMENSION UNITS | | SCALE | |  MILLIGRID 2MM PITCH, SMT VERTICAL SHROUDED HEADER PRODUCT CUSTOMER DRAWING SERIES: 87832 MATERIAL NUMBER: SEE TABLE CUSTOMER: GENERAL MARKET DOCUMENT NUMBER: SD-87832-0001 DOC TYPE: PSD DOC PART: 001 SHEET NUMBER: 7 OF 12 |
| | 2018/07/31 | MM | INCH | MM | NTS | DRWN BY | DATE | |
| | 2018/07/31 | 4 PLACES ± | ± | GMENARLY | 2015/05/22 | CHK'D BY | DATE | |
| | | 3 PLACES ± | ± | CGOH | 2015/09/21 | APPR BY | DATE | |
| | | 2 PLACES ± 0.2 | ± | KHLIM | 2015/09/22 | DRAWING SIZE | THIRD ANGLE PROJECTION | |
| | 1 PLACES ± | ± | ANGULAR TOL = 3.0 | | A3 |  | | |
| | 0 PLACES ± | ± | DRAFT WHERE APPLICABLE MUST REMAIN WITHIN DIMENSIONS | | | | | |

14 TO 50 CIRCUITS



- NOTES:**
- MATERIALS:**
HOUSING & CAP: 30% GF, NYLON, UL94V-0, COLOR: BLACK
PIN: 0.50mm SQ. PHOSPHOR BRONZE
 - FINISHES:** REFER TO PLATING OPTIONS
 - PRODUCT SPECIFICATION:** PS-87831-027
 - PACKAGING SPECIFICATION:** SEE PACKAGING SPECS TABLE ON SHEET 12
 - MATES WITH:** A. MOLEX CRIMP RECEPTACLE HOUSING: 51110 SERIES AND CRIMP TERMINAL: 50394 SERIES
B. MOLEX 2mm MILLIGRID DUAL ROW IDT: 87568 SERIES
C. MOLEX 2mm MILLIGRID DUAL ROW RECEPTACLE: 79107 (GOLD PLATED), 78787 (TIN PLATED)
 - COPLANARITY IS TO BE MEASURED BY RESTING THE SOLDER TAIL ON A GAUGE SURFACE
 - BEND DEPRESSION ON SMT TAIL IS ACCEPTABLE SO LONG AS IT DOES NOT AFFECT THE OVERALL COPLANARITY
 - TOP SURFACE OF CAP TO BE FLAT FOR THE PURPOSE OF PICK & PLACE BY VACUUM SUCTION NOZZLE

THIS DRAWING CONTAINS INFORMATION THAT IS PROPRIETARY TO MOLEX ELECTRONIC TECHNOLOGIES, LLC AND SHOULD NOT BE USED WITHOUT WRITTEN PERMISSION

| | | | | | | | | | |
|---------------------|----------------|--|-------------------|-----------------|------------------------|--------------------------|--|----------------------------|--------------------------|
| SHT 8 ADDED DATUM Y | 2018/07/20 | GENERAL TOLERANCES (UNLESS SPECIFIED) | DIMENSION UNITS | | SCALE | | molex MILLIGRID 2MM PITCH, SMT VERTICAL SHROUDED HEADER | | |
| | 2018/07/31 | | MM | INCH | MM | NTS | | | |
| | 2018/07/31 | | DRWN BY | DATE | DRWN BY | DATE | | | |
| | 2018/07/31 | | GMENARLY | 2015/05/22 | CGOH | 2015/09/21 | | | |
| EC NO: 601748 | DRWN: SCS02 | 0 PLACES ± | ANGULAR TOL = 3.0 | APPR BY | DATE | PRODUCT CUSTOMER DRAWING | SERIES: 87832 | MATERIAL NUMBER: SEE TABLE | CUSTOMER: GENERAL MARKET |
| DRWN: SCS02 | 1 PLACES ± | | | KHLIM | 2015/09/22 | | | | |
| CHK'D: ISHWARG | 2 PLACES ± 0.2 | | | DRAWING SIZE | THIRD ANGLE PROJECTION | | | | |
| APPR: ISHWARG | 3 PLACES ± | | | A3 | | | | | |
| REV | 4 PLACES ± | DRAFT WHERE APPLICABLE MUST REMAIN WITHIN DIMENSIONS | | DOCUMENT NUMBER | | DOC TYPE | DOC PART | SHEET NUMBER | |
| A10 | 0 PLACES ± | | | SD-87832-0001 | | PSD | 001 | 8 OF 12 | |

| | | | | |
|----------------|----|--------------|------------|----------|
| RELEASE STATUS | P1 | RELEASE DATE | 2018/07/31 | 00:10:18 |
|----------------|----|--------------|------------|----------|

14 TO 24 CIRCUITS

| CKT SIZE | ASSY P/N WITHOUT CAP IN TUBE | ASSY P/N WITH CAP IN TUBE | ASSY P/N WITH CAP IN T&R | T&R OPTIONS (SEE SHEET 12) | PLATING OPTIONS | FRICTION LOCKS | | DUAL SIDE SLOTS | CENTER POLARIZATION | PEGS | DIMENSION | | | | | | | | | | | | | | |
|------------|------------------------------|---------------------------|--------------------------|----------------------------|-----------------|----------------|--------|-----------------|---------------------|------|-----------|-------|-------|-------|-------|-------|------------|-----------|-----|-----|-----|-----|-----|------|-----------|
| | | | | | | DUAL | CENTER | | | | A | B | C | D | E | F | G (COPLAN) | H | | | | | | | |
| 14 | 87832-1460 | 87832-1462 | 87832-5662 | 1 | 1 | YES | N.A | YES | YES | YES | 16.65 | 14.85 | 12.00 | 8.00 | 10.00 | 15.00 | 0.15 | 3.60±0.20 | | | | | | | |
| | 87832-1420 | 87832-1422 | 87832-5622 | 1 | 2 | | | | | | | | | | | | | | | | | | | | |
| | 87832-1421 | 87832-1423 | 87832-5623 | 1 | 3 | | | | | | | | | | | | | | | | | | | | |
| | | | 87832-9523 | 2 | | | | | | | | | | | | | | | | | | | | | |
| | 87832-1470 | 87832-1472 | 87832-5672 | 1 | 4 | | | | | | | | | | | | | | | | | | | | |
| 87832-1412 | 87832-1416 | 87832-1414 | 1 | 2 | YES | N.A | YES | YES | N.A | 0.15 | 3.60±0.20 | | | | | | | | | | | | | | |
| 16 | 87832-1660 | 87832-1662 | 87832-5762 | 1 | 1 | YES | N.A | YES | YES | YES | 18.65 | 16.85 | 14.00 | 10.00 | 12.00 | 17.00 | 0.15 | 3.60±0.20 | | | | | | | |
| | 87832-1620 | 87832-1622 | 87832-5722 | 1 | 2 | | | | | | | | | | | | | | | | | | | | |
| | 87832-1621 | 87832-1623 | 87832-5723 | 1 | 3 | | | | | | | | | | | | | | | | | | | | |
| | 87832-1670 | 87832-1672 | 87832-5772 | 1 | 4 | | | | | | | | | | | | | | | | | | | | |
| | 87832-1612 | 87832-1616 | 87832-1614 | 1 | 2 | | | | | | | | | | | | | | YES | N.A | YES | YES | N.A | 0.15 | 3.60±0.20 |
| 18 | 87832-1860 | 87832-1862 | 87832-5862 | 1 | 1 | YES | N.A | YES | YES | YES | 20.65 | 18.85 | 16.00 | 12.00 | 14.00 | 19.00 | 0.15 | 3.60±0.20 | | | | | | | |
| | 87832-1820 | 87832-1822 | 87832-5822 | 1 | 2 | | | | | | | | | | | | | | | | | | | | |
| | 87832-1821 | 87832-1823 | 87832-5823 | 1 | 3 | | | | | | | | | | | | | | | | | | | | |
| | 87832-1870 | 87832-1872 | 87832-5872 | 1 | 4 | | | | | | | | | | | | | | | | | | | | |
| | 87832-1812 | 87832-1816 | 87832-1814 | 3 | 2 | | | | | | | | | | | | | | YES | N.A | YES | YES | N.A | 0.15 | 3.60±0.20 |
| | 87832-1813 | 87832-1817 | 87832-1815 | 3 | 3 | | | | | | | | | | | | | | YES | N.A | YES | YES | N.A | 0.15 | 3.60±0.20 |
| 20 | 87832-2060 | 87832-2062 | 87832-5962 | 1 | 1 | YES | N.A | YES | YES | YES | 22.65 | 20.85 | 18.00 | 14.00 | 16.00 | 21.00 | 0.15 | 3.60±0.20 | | | | | | | |
| | 87832-2020 | 87832-2022 | 87832-5922 | 1 | 2 | | | | | | | | | | | | | | | | | | | | |
| | 87832-2021 | 87832-2023 | 87832-5923 | 1 | 3 | | | | | | | | | | | | | | | | | | | | |
| | 87832-2070 | 87832-2072 | 87832-5972 | 1 | 4 | | | | | | | | | | | | | | | | | | | | |
| | | | 87832-9672 | 2 | | | | | | | | | | | | | | | | | | | | | |
| 87832-2012 | 87832-2016 | 87832-2014 | 1 | 2 | YES | N.A | YES | YES | N.A | 0.15 | 3.60±0.20 | | | | | | | | | | | | | | |
| 22 | 87832-2260 | 87832-2262 | 87832-6062 | 1 | 1 | YES | N.A | YES | YES | YES | 24.65 | 22.85 | 20.00 | 16.00 | 18.00 | 23.00 | 0.15 | 3.60±0.20 | | | | | | | |
| | 87832-2220 | 87832-2222 | 87832-6022 | 1 | 2 | | | | | | | | | | | | | | | | | | | | |
| | 87832-2221 | 87832-2223 | 87832-6023 | 1 | 3 | | | | | | | | | | | | | | | | | | | | |
| | 87832-2270 | 87832-2272 | 87832-6072 | 1 | 4 | | | | | | | | | | | | | | | | | | | | |
| 24 | 87832-2460 | 87832-2462 | 87832-6162 | 1 | 1 | YES | N.A | YES | YES | YES | 26.65 | 24.85 | 22.00 | 18.00 | 20.00 | 25.00 | 0.15 | 3.60±0.20 | | | | | | | |
| | 87832-2420 | 87832-2422 | 87832-6122 | 1 | 2 | | | | | | | | | | | | | | | | | | | | |
| | 87832-2421 | 87832-2423 | 87832-6123 | 1 | 3 | | | | | | | | | | | | | | | | | | | | |
| | 87832-2470 | 87832-2472 | 87832-6172 | 1 | 4 | | | | | | | | | | | | | | | | | | | | |
| | 87832-2412 | 87832-2416 | 87832-2414 | 1 | 2 | | | | | | | | | | | | | | YES | N.A | YES | YES | N.A | 0.15 | 3.60±0.20 |

PLATING OPTIONS:

- 1 - 0.05-0.13µm/2-5µin GOLD IN CONTACT AREA AND 1.88µm/75µin MIN. MATTE TIN IN SOLDER TAIL AREA OVER 1.27µm/50µin MIN. NICKEL OVERALL.
- 2 - 0.38µm/15µin MIN. GOLD IN CONTACT AREA AND 1.88µm/75µin MIN. MATTE TIN IN SOLDER TAIL AREA OVER 1.27µm/50µin MIN. NICKEL OVERALL.
- 3 - 0.76µm/30µin MIN. GOLD IN CONTACT AREA AND 1.88µm/75µin MIN. MATTE TIN IN SOLDER TAIL AREA OVER 1.27µm/50µin MIN. NICKEL OVERALL.
- 4 - 2.50µm/100µin MIN. MATTE TIN OVER 1.25µm/50µin MIN. NICKEL OVERALL.

THIS DRAWING CONTAINS INFORMATION THAT IS PROPRIETARY TO MOLEX ELECTRONIC TECHNOLOGIES, LLC AND SHOULD NOT BE USED WITHOUT WRITTEN PERMISSION

| | | | | | | | | | | | |
|---|---------------------------------------|--------------|-----------------|------------------------|-----------------|---|--|--|----------|--------------|--|
| SHT 8 ADDED DATUM Y EC NO: 601748 DRWN: SCS02 CHK'D: ISHWARG APP'R: ISHWARG | GENERAL TOLERANCES (UNLESS SPECIFIED) | | DIMENSION UNITS | | SCALE | | molex® | | | | |
| | | | MM | INCH | MM | NTS | | | | | |
| | 4 PLACES | ± | | | DRWN BY | DATE | MILLIGRID 2MM PITCH, SMT VERTICAL SHROUDED HEADER | | | | |
| | 3 PLACES | ± | | | GMENARLY | 2015/05/22 | | | | | |
| | 2 PLACES | ± 0.2 | | | CHK'D BY | DATE | | | | | |
| | 1 PLACES | ± | | | CGOH | 2015/09/21 | PRODUCT CUSTOMER DRAWING | | | | |
| 0 PLACES | ± | | | APPR BY | DATE | | | | | | |
| ANGULAR TOL = 3.0 | | DRAWING SIZE | | THIRD ANGLE PROJECTION | | SERIES: 87832 MATERIAL NUMBER: SEE TABLE CUSTOMER: GENERAL MARKET | | | | | |
| DRAFT WHERE APPLICABLE MUST REMAIN WITHIN DIMENSIONS | | A3 | | | | | | | | | |
| RELEASE STATUS | P1 | RELEASE DATE | 2018/07/31 | 00:10:18 | DOCUMENT NUMBER | | DOC TYPE | | DOC PART | SHEET NUMBER | |
| | | | | | SD-87832-0001 | | PSD | | 001 | 9 OF 12 | |

26 TO 38 CIRCUITS

| CKT SIZE | ASSY P/N WITHOUT CAP IN TUBE | ASSY P/N WITH CAP IN TUBE | ASSY P/N WITH CAP IN T&R | T&R OPTIONS (SEE SHEET 12) | PLATING OPTIONS | FRICTION LOCKS | | DUAL SIDE SLOTS | CENTER POLARIZATION | PEGS | DIMENSION | | | | | | | |
|----------|------------------------------|---------------------------|--------------------------|----------------------------|-----------------|----------------|--------|-----------------|---------------------|------|-----------|-------|-------|-------|-------|-------|------------|-----------|
| | | | | | | DUAL | CENTER | | | | A | B | C | D | E | F | G (COPLAN) | H |
| 26 | 87832-2660 | 87832-2662 | 87832-6262 | 1 | 1 | YES | N.A | YES | YES | YES | 28.65 | 26.85 | 24.00 | 20.00 | 22.00 | 27.00 | 0.15 | 3.60±0.20 |
| | 87832-2620 | 87832-2622 | 87832-6222 | 1 | 2 | | | | | | | | | | | | | |
| | 87832-2621 | 87832-2623 | 87832-6223 | 1 | 3 | | | | | | | | | | | | | |
| | 87832-2670 | 87832-2672 | 87832-6272 | 1 | 4 | | | | | | | | | | | | | |
| | 87832-2612 | 87832-2616 | N.A | N.A | 2 | | | | | | | | | | | | YES | N.A |
| 28 | 87832-2860 | 87832-2862 | 87832-6362 | 1 | 1 | YES | N.A | YES | YES | YES | 30.65 | 28.85 | 26.00 | 22.00 | 24.00 | 29.00 | 0.15 | 3.60±0.20 |
| | 87832-2820 | 87832-2822 | 87832-6322 | 1 | 2 | | | | | | | | | | | | | |
| | 87832-2821 | 87832-2823 | 87832-6323 | 1 | 3 | | | | | | | | | | | | | |
| | 87832-2870 | 87832-2872 | 87832-6372 | 1 | 4 | | | | | | | | | | | | | |
| | N.A | 87832-2816 | N.A | 1 | 2 | | | | | | | | | | | | YES | N.A |
| N.A | 87832-2819 | N.A | 1 | 1 | YES | N.A | YES | YES | N.A | | | | | | | | | |
| 30 | 87832-3060 | 87832-3062 | 87832-6462 | 1 | 1 | YES | N.A | YES | YES | YES | 32.65 | 30.85 | 28.00 | 24.00 | 26.00 | 31.00 | 0.15 | 3.60±0.20 |
| | 87832-3020 | 87832-3022 | 87832-6422 | 1 | 2 | | | | | | | | | | | | | |
| | 87832-3021 | 87832-3023 | 87832-6423 | 1 | 3 | | | | | | | | | | | | | |
| | 87832-3070 | 87832-3072 | 87832-6472 | 1 | 4 | | | | | | | | | | | | | |
| | 87832-3012 | 87832-3016 | 87832-3014 | 3 | 2 | | | | | | | | | | | | YES | N.A |
| 32 | 87832-3260 | 87832-3262 | 87832-6562 | 1 | 1 | YES | N.A | YES | YES | YES | 34.65 | 32.85 | 30.00 | 26.00 | 28.00 | 33.00 | 0.15 | 3.60±0.20 |
| | 87832-3220 | 87832-3222 | 87832-6522 | 1 | 2 | | | | | | | | | | | | | |
| | 87832-3221 | 87832-3223 | 87832-6523 | 1 | 3 | | | | | | | | | | | | | |
| | 87832-3270 | 87832-3272 | 87832-6572 | 1 | 4 | | | | | | | | | | | | | |
| 34 | 87832-3460 | 87832-3462 | 87832-6662 | 1 | 1 | YES | N.A | YES | YES | YES | 36.65 | 34.85 | 32.00 | 28.00 | 30.00 | 35.00 | 0.15 | 3.60±0.20 |
| | 87832-3420 | 87832-3422 | 87832-6622 | 1 | 2 | | | | | | | | | | | | | |
| | 87832-3421 | 87832-3423 | 87832-6623 | 1 | 3 | | | | | | | | | | | | | |
| | 87832-3470 | 87832-3472 | 87832-6672 | 1 | 4 | | | | | | | | | | | | | |
| | 87832-3412 | 87832-3416 | 87832-3414 | 3 | 2 | | | | | | | | | | | | YES | N.A |
| 36 | 87832-3660 | 87832-3662 | N.A | N.A | 1 | YES | N.A | YES | YES | YES | 38.65 | 36.85 | 34.00 | 30.00 | 32.00 | 37.00 | 0.15 | 3.60±0.20 |
| | 87832-3620 | 87832-3622 | N.A | N.A | 2 | | | | | | | | | | | | | |
| | 87832-3621 | 87832-3623 | N.A | N.A | 3 | | | | | | | | | | | | | |
| | 87832-3670 | 87832-3672 | N.A | N.A | 4 | | | | | | | | | | | | | |
| 38 | 87832-3860 | 87832-3862 | N.A | N.A | 1 | YES | N.A | YES | YES | YES | 40.65 | 38.85 | 36.00 | 32.00 | 34.00 | 39.00 | 0.15 | 3.60±0.20 |
| | 87832-3820 | 87832-3822 | 87832-6822 | N.A | 2 | | | | | | | | | | | | | |
| | 87832-3821 | 87832-3823 | N.A | N.A | 3 | | | | | | | | | | | | | |
| | 87832-3870 | 87832-3872 | N.A | N.A | 4 | | | | | | | | | | | | | |

PLATING OPTIONS:

- 0.05-0.13µm/2-5µin GOLD IN CONTACT AREA AND 1.88µm/75µin MIN. MATTE TIN IN SOLDER TAIL AREA OVER 1.27µm/50µin MIN. NICKEL OVERALL.
- 0.38µm/15µin MIN. GOLD IN CONTACT AREA AND 1.88µm/75µin MIN. MATTE TIN IN SOLDER TAIL AREA OVER 1.27µm/50µin MIN. NICKEL OVERALL.
- 0.76µm/30µin MIN. GOLD IN CONTACT AREA AND 1.88µm/75µin MIN. MATTE TIN IN SOLDER TAIL AREA OVER 1.27µm/50µin MIN. NICKEL OVERALL.
- 2.50µm/100µin MIN. MATTE TIN OVER 1.25µm/50µin MIN. NICKEL OVERALL.

THIS DRAWING CONTAINS INFORMATION THAT IS PROPRIETARY TO MOLEX ELECTRONIC TECHNOLOGIES, LLC AND SHOULD NOT BE USED WITHOUT WRITTEN PERMISSION

| | | | | | | | | | | |
|---|---------------------------------------|-------|-----------------|------------------------|--|--|---------------------------|--|--|--|
| SHT 8 ADDED DATUM Y EC NO: 601748 DRWN: SCS02 CHKD: ISHWARG REV APPR: ISHWARG | GENERAL TOLERANCES (UNLESS SPECIFIED) | | DIMENSION UNITS | | SCALE | | molex [®] | | | |
| | | | MM | INCH | MM | NTS | | | | |
| | 4 PLACES | ± | ± | DRWN BY | DATE | MILLIGRID 2MM PITCH, SMT VERTICAL SHROUDED HEADER | | | | |
| | 3 PLACES | ± | ± | GMENARLY | 2015/05/22 | | | | | |
| | 2 PLACES | ± 0.2 | ± | CHK'D BY | DATE | PRODUCT CUSTOMER DRAWING | | | | |
| | 1 PLACES | ± | ± | CGOH | 2015/09/21 | | | | | |
| 0 PLACES | ± | ± | APPR BY | DATE | SERIES MATERIAL NUMBER CUSTOMER 87832 SEE TABLE GENERAL MARKET | | | | | |
| ANGULAR TOL = 3.0 | | | KHLIM | 2015/09/22 | | | | | | |
| DRAFT WHERE APPLICABLE MUST REMAIN WITHIN DIMENSIONS | | | DRAWING SIZE | THIRD ANGLE PROJECTION | DOCUMENT NUMBER DOC TYPE DOC PART SHEET NUMBER SD-87832-0001 PSD 001 10 OF 12 | | | | | |
| | | | A3 | | | | | | | |

40 TO 50 CIRCUITS

| CKT SIZE | ASSY P/N WITHOUT CAP IN TUBE | ASSY P/N WITH CAP IN TUBE | ASSY P/N WITH CAP IN T&R | T&R OPTIONS (SEE SHEET 12) | PLATING OPTIONS | FRICTION LOCKS | | DUAL SIDE SLOTS | CENTER POLARIZATION | PEGS | DIMENSION | | | | | | | |
|----------|------------------------------|---------------------------|--------------------------|----------------------------|-----------------|----------------|--------|-----------------|---------------------|------|-----------|-------|-------|-------|-------|-------|------------|-----------|
| | | | | | | DUAL | CENTER | | | | A | B | C | D | E | F | G (COPLAN) | H |
| 40 | 87832-4060 | 87832-4062 | 87832-6962 | 1 | 1 | YES | N.A | YES | YES | YES | 42.65 | 40.85 | 38.00 | 34.00 | 36.00 | 41.00 | 0.15 | 3.60±0.20 |
| | 87832-4020 | 87832-4022 | 87832-6922 | 1 | 2 | | | | | | | | | | | | | |
| | 87832-4021 | 87832-4023 | 87832-6923 | 1 | 3 | | | | | | | | | | | | | |
| | 87832-4070 | 87832-4072 | 87832-6972 | 1 | 4 | | | | | | | | | | | | | |
| | 87832-4012 | 87832-4016 | N.A | N.A | 2 | YES | N.A | YES | YES | N.A | | | | | | | 0.15 | 3.60±0.20 |
| 42 | 87832-4260 | 87832-4262 | N.A | N.A | 1 | YES | N.A | YES | YES | YES | 44.65 | 42.85 | 40.00 | 36.00 | 38.00 | 43.00 | 0.15 | 3.60±0.20 |
| | 87832-4220 | 87832-4222 | N.A | N.A | 2 | | | | | | | | | | | | | |
| | 87832-4221 | 87832-4223 | N.A | N.A | 3 | | | | | | | | | | | | | |
| | 87832-4270 | 87832-4272 | N.A | N.A | 4 | | | | | | | | | | | | | |
| 44 | 87832-4460 | 87832-4462 | 87832-7162 | 1 | 1 | YES | N.A | YES | YES | YES | 46.65 | 44.85 | 42.00 | 38.00 | 40.00 | 45.00 | 0.15 | 3.60±0.20 |
| | 87832-4420 | 87832-4422 | 87832-7122 | 1 | 2 | | | | | | | | | | | | | |
| | 87832-4421 | 87832-4423 | 87832-7123 | 1 | 3 | | | | | | | | | | | | | |
| | 87832-4470 | 87832-4472 | 87832-7172 | 1 | 4 | | | | | | | | | | | | | |
| | 87832-4413 | 87832-4417 | 87832-4415 | 3 | 3 | YES | N.A | YES | YES | N.A | | | | | | | 0.15 | 3.60±0.20 |
| 46 | 87832-4660 | 87832-4662 | 87832-7262 | 1 | 1 | YES | N.A | YES | YES | YES | 48.65 | 46.85 | 44.00 | 40.00 | 42.00 | 47.00 | 0.15 | 3.60±0.20 |
| | 87832-4620 | 87832-4622 | 87832-7222 | 1 | 2 | | | | | | | | | | | | | |
| | 87832-4621 | 87832-4623 | N.A | N.A | 3 | | | | | | | | | | | | | |
| | 87832-4670 | 87832-4672 | 87832-7272 | 1 | 4 | | | | | | | | | | | | | |
| 48 | 87832-4860 | 87832-4862 | N.A | N.A | 1 | YES | N.A | YES | YES | YES | 50.65 | 48.85 | 46.00 | 42.00 | 44.00 | 49.00 | 0.15 | 3.60±0.20 |
| | 87832-4820 | 87832-4822 | N.A | N.A | 2 | | | | | | | | | | | | | |
| | 87832-4821 | 87832-4823 | N.A | N.A | 3 | | | | | | | | | | | | | |
| | 87832-4870 | 87832-4872 | N.A | N.A | 4 | | | | | | | | | | | | | |
| 50 | 87832-5060 | 87832-5062 | 87832-7462 | 1 | 1 | YES | N.A | YES | YES | YES | 52.65 | 50.85 | 48.00 | 44.00 | 46.00 | 51.00 | 0.15 | 3.60±0.20 |
| | 87832-5020 | 87832-5022 | 87832-7422 | 1 | 2 | | | | | | | | | | | | | |
| | 87832-5021 | 87832-5023 | 87832-7423 | 1 | 3 | | | | | | | | | | | | | |
| | 87832-5070 | 87832-5072 | 87832-7472 | 1 | 4 | | | | | | | | | | | | | |
| | 87832-5012 | 87832-5016 | N.A | N.A | 2 | YES | N.A | YES | YES | N.A | | | | | | | 0.15 | 3.60±0.20 |

PLATING OPTIONS:

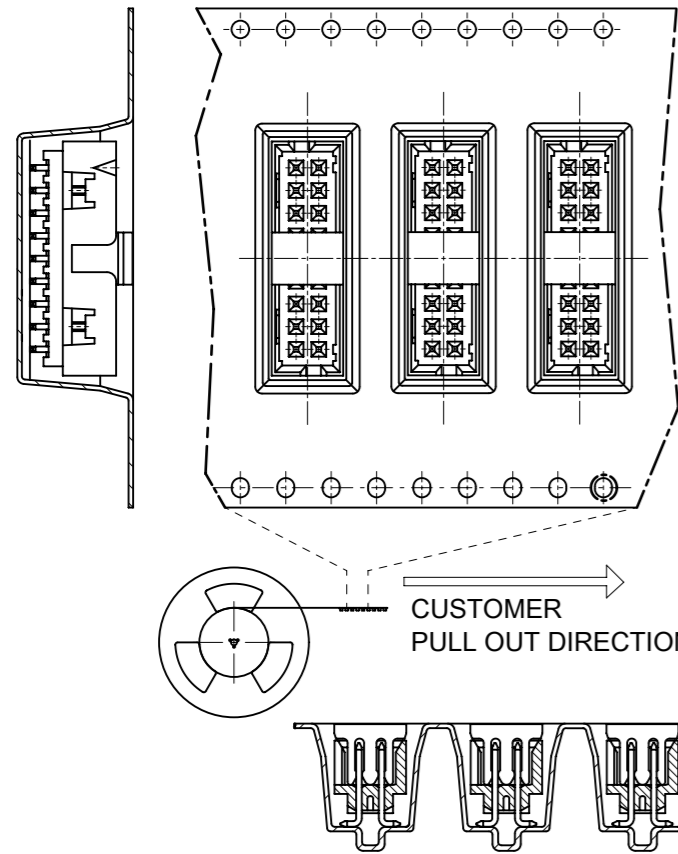
- 1 - 0.05-0.13µm/2-5µin GOLD IN CONTACT AREA AND 1.88µm/75µin MIN. MATTE TIN IN SOLDER TAIL AREA OVER 1.27µm/50µin MIN. NICKEL OVERALL.
- 2 - 0.38µm/15µin MIN. GOLD IN CONTACT AREA AND 1.88µm/75µin MIN. MATTE TIN IN SOLDER TAIL AREA OVER 1.27µm/50µin MIN. NICKEL OVERALL.
- 3 - 0.76µm/30µin MIN. GOLD IN CONTACT AREA AND 1.88µm/75µin MIN. MATTE TIN IN SOLDER TAIL AREA OVER 1.27µm/50µin MIN. NICKEL OVERALL.
- 4 - 2.50µm/100µin MIN. MATTE TIN OVER 1.25µm/50µin MIN. NICKEL OVERALL.

THIS DRAWING CONTAINS INFORMATION THAT IS PROPRIETARY TO MOLEX ELECTRONIC TECHNOLOGIES, LLC AND SHOULD NOT BE USED WITHOUT WRITTEN PERMISSION

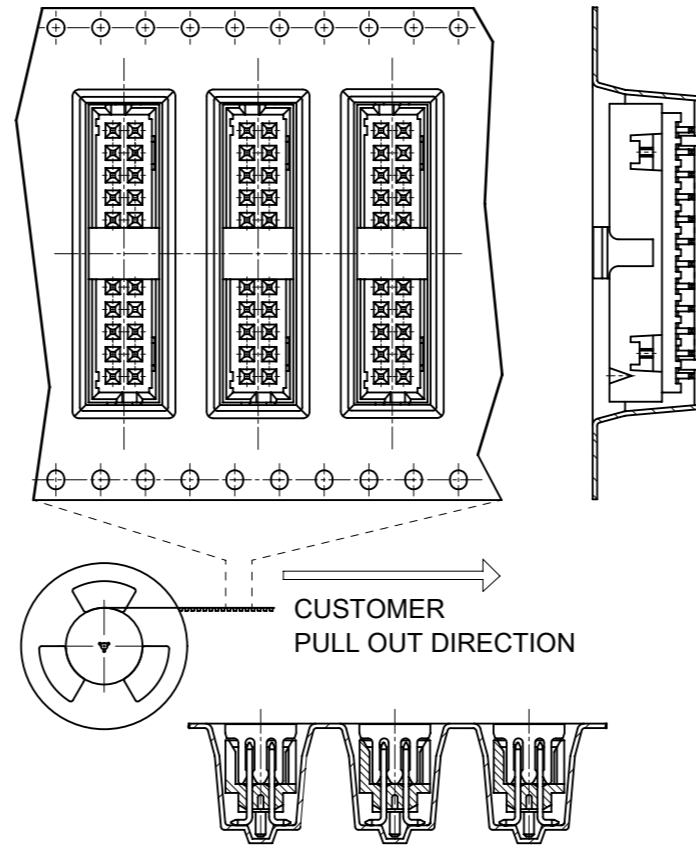
| | | | | | | | | | | | | | | |
|---|------------|------------|------------|--|---------------------|-----------------|-----------|------------------------|------------|--|--|--|--|--|
| SHT 8 ADDED DATUM Y EC NO: 601748 DRWN: SCS02 CHKD: ISHWARG APPR: ISHWARG | 2018/07/20 | 2018/07/31 | 2018/07/31 | GENERAL TOLERANCES (UNLESS SPECIFIED) | | DIMENSION UNITS | | SCALE | | | | | | |
| | | | | | MM INCH | | MM NTS | | | | | | | |
| | | | | | 4 PLACES ± ± | | DRWN BY | | DATE | | MILLIGRID 2MM PITCH, SMT VERTICAL SHROUDED HEADER | | | |
| | | | | | 3 PLACES ± ± | | GMENARLY | | 2015/05/22 | | | | | |
| | | | | | 2 PLACES ± 0.2 ± | | CHK'D BY | | DATE | | PRODUCT CUSTOMER DRAWING | | | |
| | | | | 1 PLACES ± ± | | CGOH | | 2015/09/21 | | | | | | |
| | | | | 0 PLACES ± ± | | APPR BY | | DATE | | SERIES MATERIAL NUMBER CUSTOMER 87832 SEE TABLE GENERAL MARKET | | | | |
| | | | | ANGULAR TOL = 3.0 | | KHLIM | | 2015/09/22 | | | | | | |
| | | | | DRAFT WHERE APPLICABLE MUST REMAIN WITHIN DIMENSIONS | | DRAWING SIZE | | THIRD ANGLE PROJECTION | | DOCUMENT NUMBER DOC TYPE DOC PART SHEET NUMBER SD-87832-0001 PSD 001 11 OF 12 | | | | |
| | | | | | | A3 | | | | | | | | |

PACKAGING OPTIONS

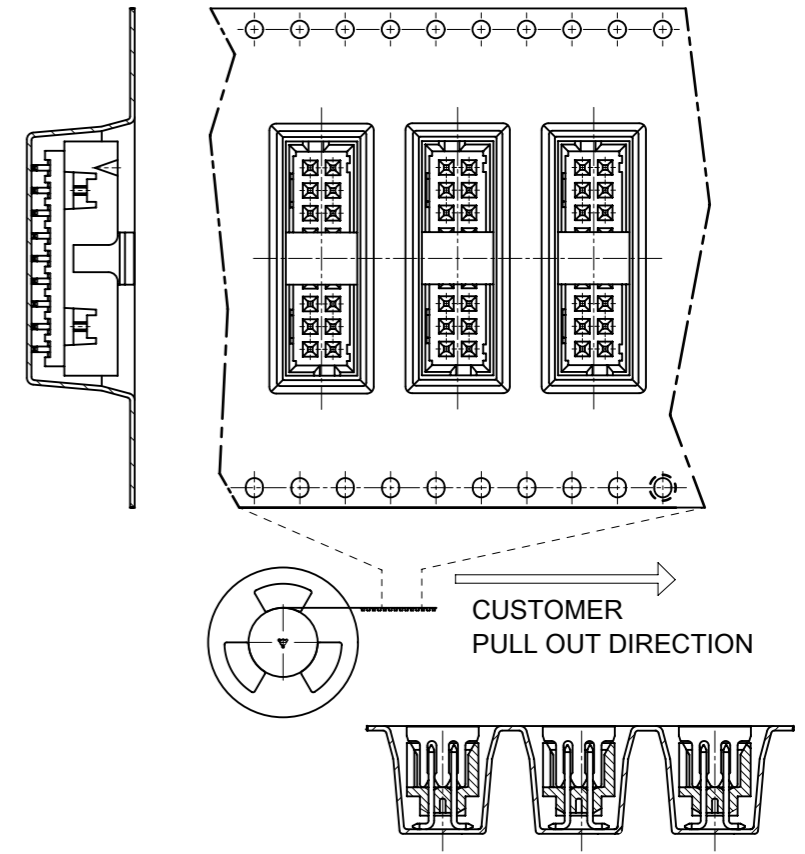
OPTION 1



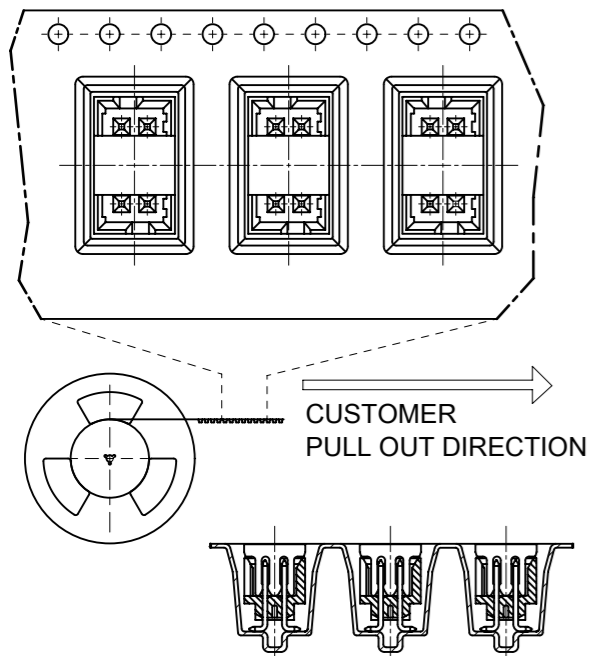
OPTION 2



OPTION 3



VIEW FOR 1 SIDE PILOT HOLE



PACKAGING SPECIFICATION TABLE

| | |
|--|--------------|
| TAPE AND REEL PACKAGING | PK-87832-300 |
| TUBE STANDARD PACKAGING | PK-87831-001 |
| TUBE NON-STANDARD PACKAGING FOR: 87832-0411 87832-0824 87832-1072 87832-1412 | PK-87831-002 |

EMBOSSED TAPE & REEL POCKET DESCRIPTIONS

| OPTIONS | CENTER POLARIZATION OPTIONS | | PEG OPTIONS | | PILOT HOLE OPTIONS | |
|---------|-----------------------------|-------------|-------------|-------------|--------------------|----------|
| | ON THE LEFT | ON THE RIGH | WITH PEG | WITHOUT PEG | 2 SIDES | 1 SIDE |
| 1 | YES | N.A | YES | N.A | CKT 12-50 | CKT 4-10 |
| 2 | N.A | YES | YES | YES | CKT 12-50 | CKT 4-10 |
| 3 | YES | N.A | N.A | YES | CKT 12-50 | CKT 4-10 |

THIS DRAWING CONTAINS INFORMATION THAT IS PROPRIETARY TO MOLEX ELECTRONIC TECHNOLOGIES, LLC AND SHOULD NOT BE USED WITHOUT WRITTEN PERMISSION

| | | | | | | | |
|--|--|---------------------------------------|--------------|------------------------|---|--------------------------------|--|
| SHT 8 ADDED DATUM Y EC NO: 601748 DRWN: SCS02 CHK'D: ISHWARG REV APPR: ISHWARG | 2018/07/20 | GENERAL TOLERANCES (UNLESS SPECIFIED) | | DIMENSION UNITS | SCALE | | |
| | 2018/07/31 | MM | INCH | MM | NTS | | |
| | 2018/07/31 | 4 PLACES ± | ± | DRWN BY | DATE | | MILLIGRID 2MM PITCH, SMT VERTICAL SHROUDED HEADER |
| | | 3 PLACES ± | ± | GMENARLY | 2015/05/22 | | |
| | 2 PLACES ± 0.2 | ± | CHK'D BY | DATE | PRODUCT CUSTOMER DRAWING | | |
| | 1 PLACES ± | ± | CGOH | 2015/09/21 | | | |
| | 0 PLACES ± | ± | APPR BY | DATE | SERIES MATERIAL NUMBER CUSTOMER 87832 SEE TABLE GENERAL MARKET | | |
| | ANGULAR TOL = 3.0 | | KHLIM | 2015/09/22 | | | |
| | DRAFT WHERE APPLICABLE MUST REMAIN WITHIN DIMENSIONS | | DRAWING SIZE | THIRD ANGLE PROJECTION | DOCUMENT NUMBER | DOC TYPE DOC PART SHEET NUMBER | |
| A10 | | | A3 | | SD-87832-0001 | PSD 001 12 OF 12 | |