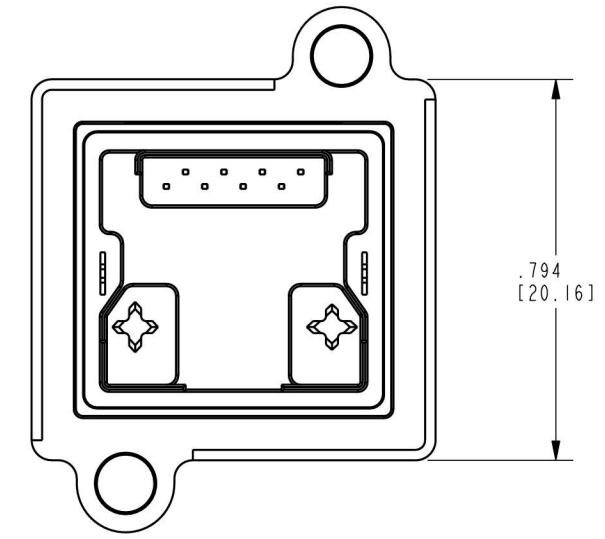
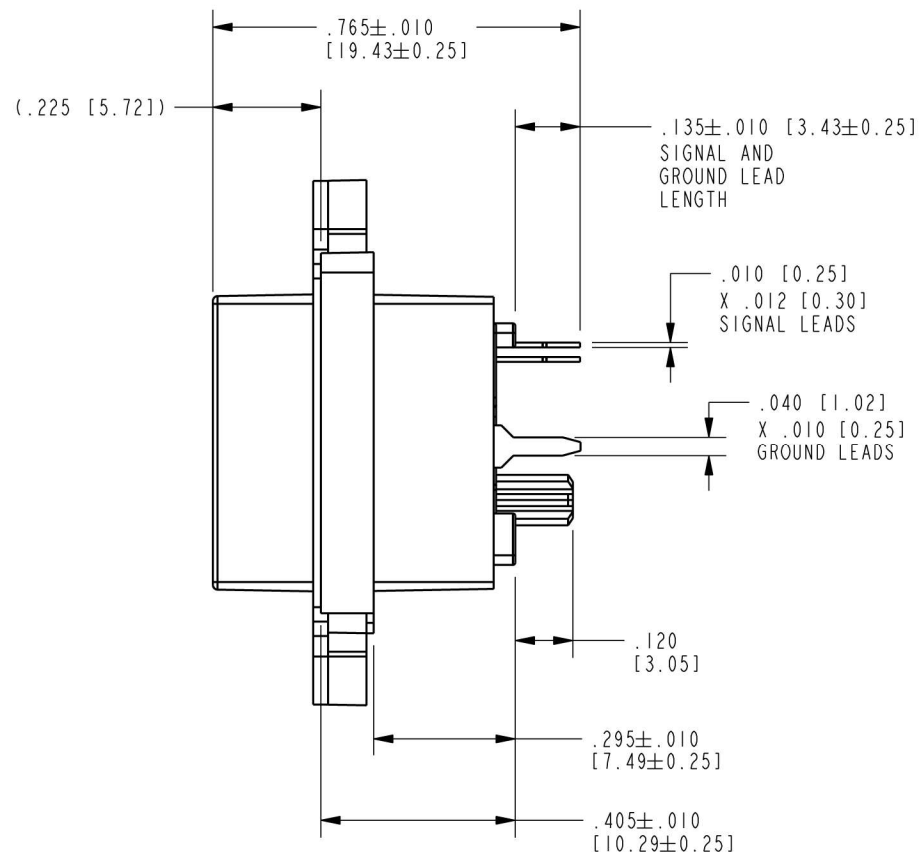
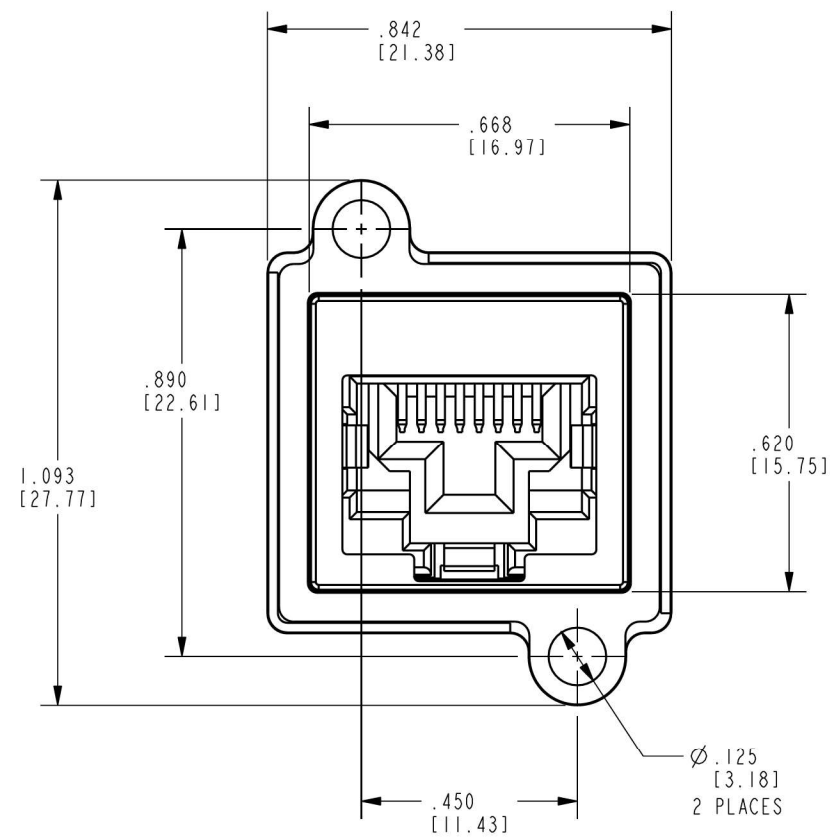
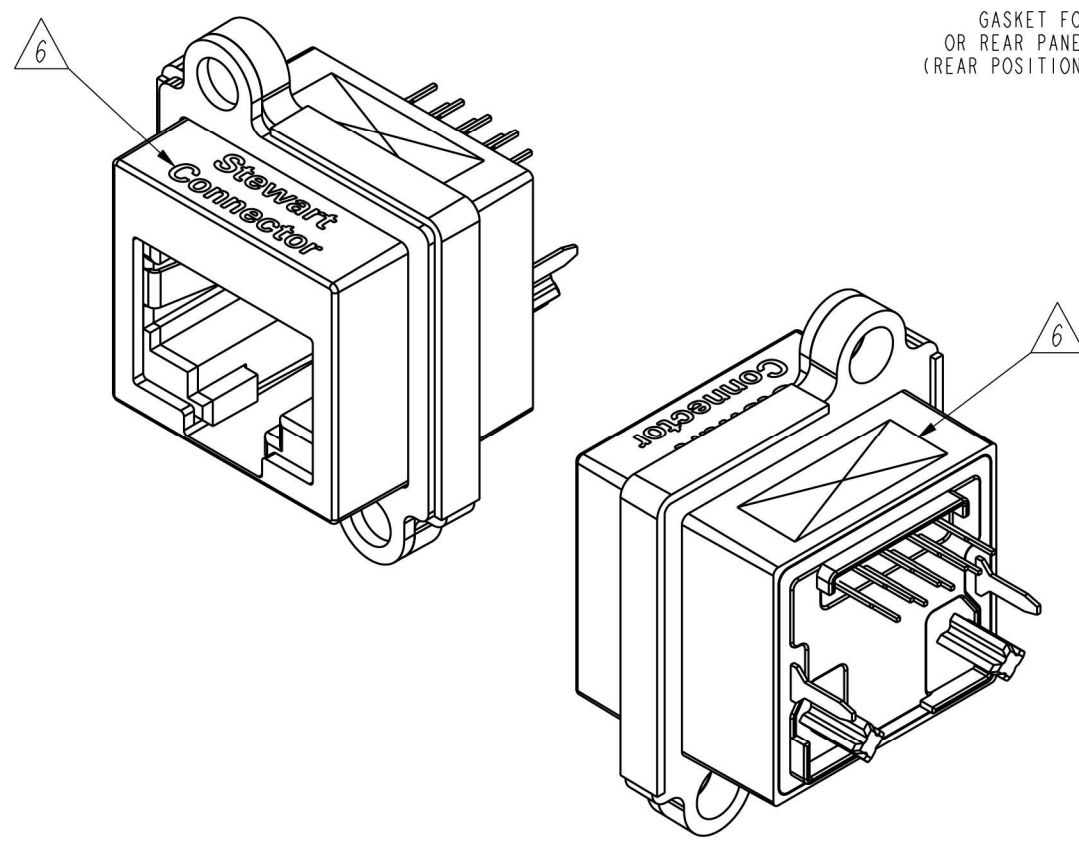


DATE	REV.	ECN	APP'D BY
3-6-17	A0	-	ADB
4-21-17	A1	10984	ADB
4-27-17	A2	10989	ADB
12-22-17	A3	11180	ADB



- NOTES:
- CONNECTOR MATERIALS:  
HOUSING/INSERT: THERMOPLASTIC UL94 V-0  
SHIELD: ZINC DIE-CAST ALLOY  
SHIELD PLATING: NICKEL OVER COPPER  
CONTACTS: COPPER ALLOY  
CONTACT PLATING: SEE TABLE BELOW  
GASKET: SILICONE RUBBER  
SILICONE SEALING COMPOUND IN REAR OF JACK
  - PRODUCT INTENDED FOR CATEGORY 6 APPLICATIONS.
  - DIMENSIONS AND TOLERANCES COMPLY WITH TIA-1096 STANDARD.
  - REFERENCE PRODUCT SPECIFICATION PR042-01.
  - ENVIRONMENTAL PERFORMANCE PER IEC 60529 CODE IP67, FOR CONNECTOR AND PANEL INTERFACE. REFER TO INSTRUCTION SHEET MNG00001 FOR INSTALLATION GUIDELINES
  - PRODUCT MARKED WITH COMPANY LOGO, PART NUMBER, AND MANUFACTURING DATE / LOCATION IN AREAS AS SHOWN.



ISOMETRIC VIEWS

GASKET FOR FRONT OR REAR PANEL MOUNT (REAR POSITION SHOWN)

50 MICRO-INCHES [1.27um]	SS-60400-004
CONTACT PLATING IN MATING AREA	PART NUMBER

THIRD ANGLE PROJECTION

DO NOT SCALE DRAWING  
DRAWING IS SUBJECT TO CHANGE WITHOUT NOTICE

DIMENSIONS: INCHES [METRIC]

UNLESS OTHERWISE SPECIFIED TOLERANCES ARE ±.005 [0.13] ANGLES ARE ±1°

SHEET NO. 1 OF 2

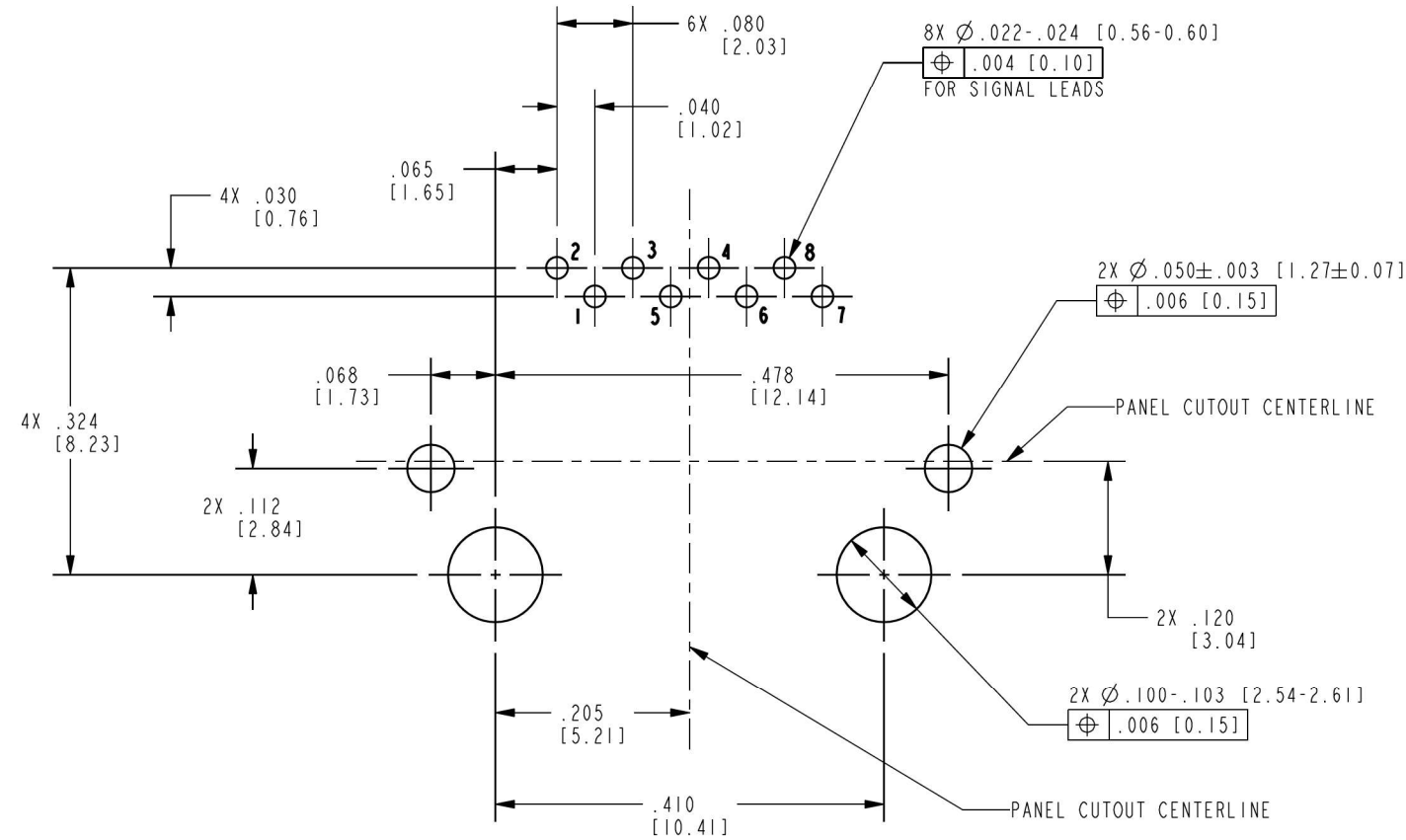
11118 Susquehanna Trail South  
Glen Rock, PA 17327-9199  
(717) 235-7512  
<http://www.stewartconnector.com>

TITLE: VERTICAL CAT 6 SEALJACK, WITH THROUGH HOLE MOUNTING

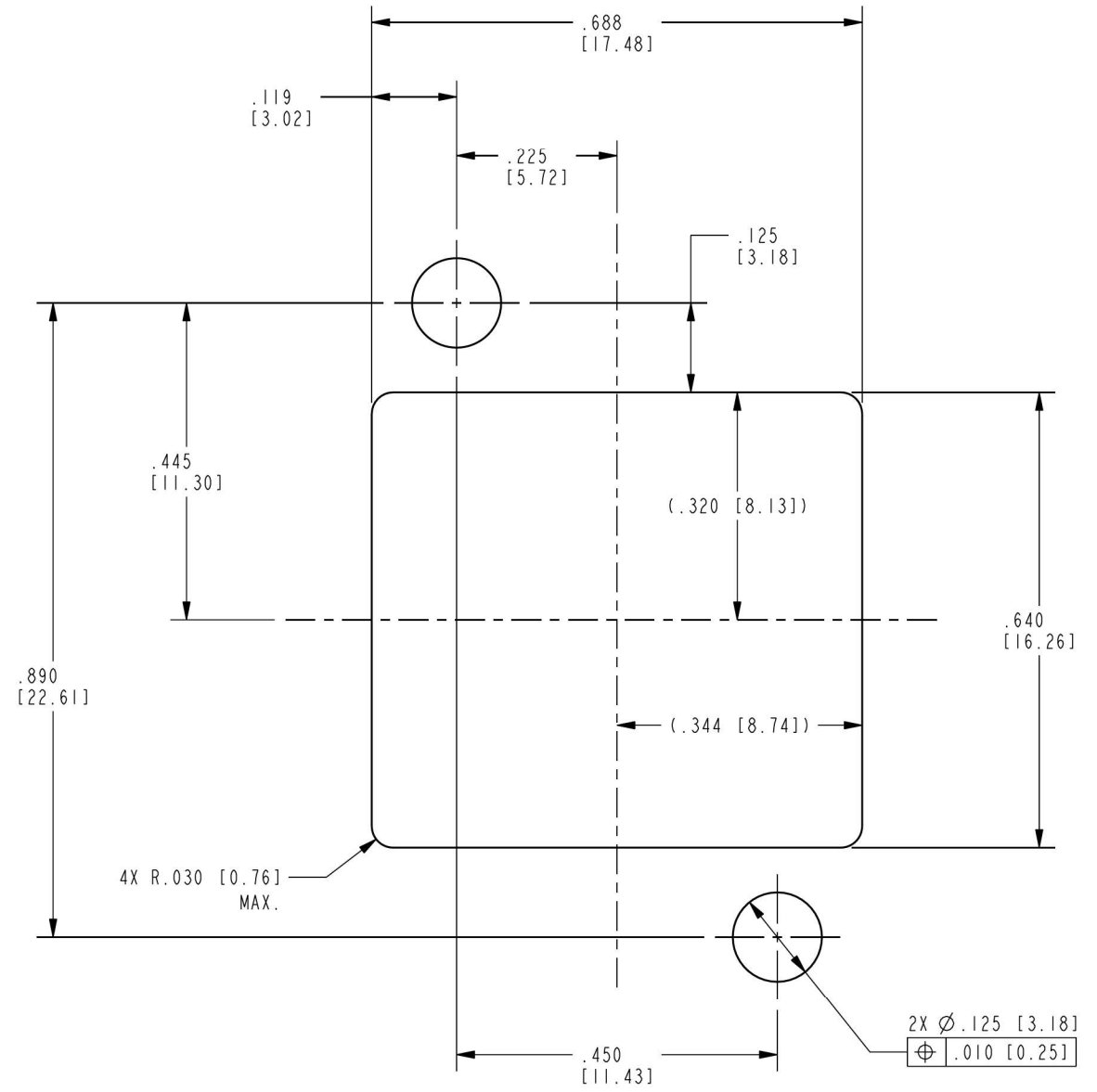
THIS DRAWING AND THE SUBJECT MATTER SHOWN THEREON ARE CONFIDENTIAL AND THE PROPRIETARY PROPERTY OF STEWART CONNECTOR AND SHALL NOT BE REPRODUCED, COPIED, OR USED IN ANY MANNER WITHOUT PRIOR WRITTEN CONSENT OF STEWART CONNECTOR. ONE OR MORE U.S. PATENTS MAY APPLY TO THIS PRODUCT. FOR DETAILS, PLEASE VISIT: [HTTP://BELFUSE.COM/STEWART/STEWART\\_PATENTS/](http://BELFUSE.COM/STEWART/STEWART_PATENTS/)

DRN BY: ADB	DATE: 10-22-15
APPD BY: DHG	DATE: 10-23-15
DWG. NO. CT600158	REV. A3

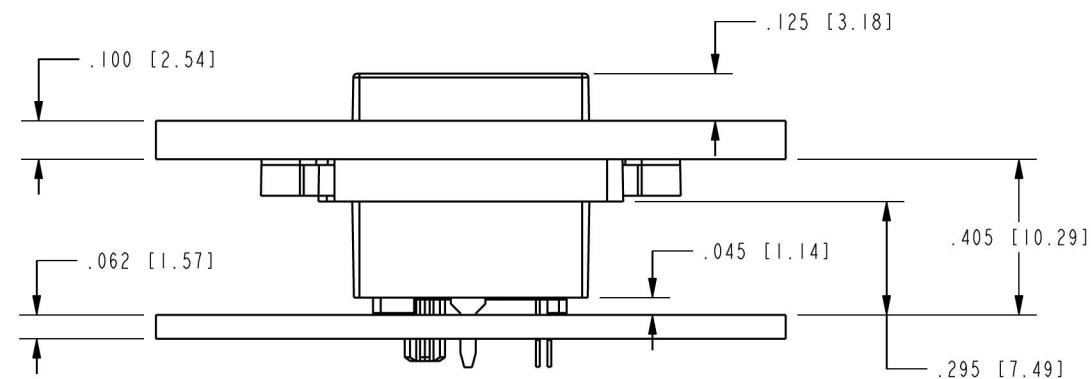




RECOMMENDED P.C.B. LAYOUT  
(COMPONENT SIDE OF BOARD)  
SCALE 5.000  
ALL CENTERLINE DIMENSIONS ARE BASIC



RECOMMENDED PANEL CUTOUT  
(FRONT OF PANEL)  
SCALE 4.000  
ALL CENTERLINE DIMENSIONS ARE BASIC

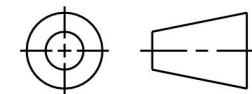


SIDE VIEW - SHOWN WITH .100" PANEL AND .062" BOARD FOR REFERENCE ONLY  
SCALE 2.000  
(SHOWN WITH GASKET IN FULLY COMPRESSED STATE)

NOTES:

- IF MOUNTING MULTIPLE CONNECTORS SIDE-BY-SIDE, THE SUGGESTED SPACING (PITCH) IS AT LEAST 0.87 INCHES [22 mm].

THIRD ANGLE PROJECTION



11118 Susquehanna Trail South  
Glen Rock, PA 17327-9199  
(717) 235-7512

<http://www.stewartconnector.com>

DO NOT SCALE DRAWING

DRAWING IS SUBJECT TO CHANGE WITHOUT NOTICE

DIMENSIONS: INCHES [METRIC]

UNLESS OTHERWISE SPECIFIED  
TOLERANCES ARE ±.005 [0.13]  
ANGLES ARE ±1°

SHEET NO.  
2 OF 2

TITLE: VERTICAL CAT 6 SEALJACK,  
WITH THROUGH HOLE MOUNTING

THIS DRAWING AND THE SUBJECT MATTER SHOWN THEREON ARE CONFIDENTIAL AND THE PROPRIETARY PROPERTY OF STEWART CONNECTOR AND SHALL NOT BE REPRODUCED, COPIED, OR USED IN ANY MANNER WITHOUT PRIOR WRITTEN CONSENT OF STEWART CONNECTOR. ONE OR MORE U.S. PATENTS MAY APPLY TO THIS PRODUCT. FOR DETAILS, PLEASE VISIT: [HTTP://BELFUSE.COM/STEWART/STEWART\\_PATENTS/](http://BELFUSE.COM/STEWART/STEWART_PATENTS/)

DRN BY: ADB DATE 10-22-15

APPD BY: DHG DATE 10-23-15

DWG. NO. CT600158 REV. A3

