

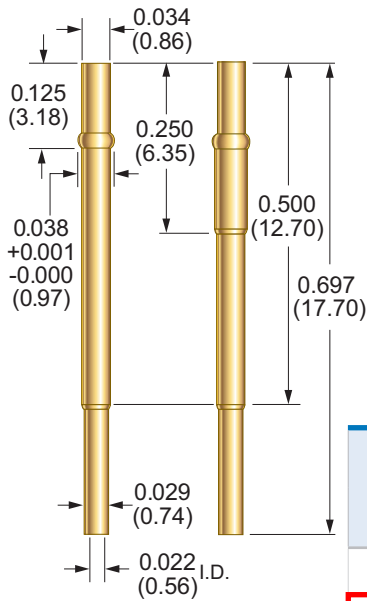
► **R-0 SERIES**

25-07525

0.050 (1.27) Centers

For S-0 Series Probes see pg. 8
For SS-50 Series Probes see pg. 9

R SERIES RX SERIES



PROBE SPECIFICATIONS

Minimum Centers	0.050 (1.27)
Drill Size	#64
Mounting Hole Size	0.035/0.0365 (0.89/0.93)
Recommended Wire	28-30 gage
Materials	Nickel/silver, gold plated, gold plated post

TOOLS

Crimping Pliers	CP-0 (for 28-30 gage solid conductor)
Insertion Tool	RT-0

PART NUMBER	STYLE	RECEPTACLE LENGTH	PROBE/RECEPTACLE COMBINED LENGTH		NOTES
			S-0	SS-50	
R-0-CR	Crimp	0.697 (17.70)	0.857 (21.77)	0.807 (20.50)	—
R-0-SC	Solder Cup	0.697 (17.70)	0.857 (21.77)	0.807 (20.50)	—
R-0-WW-016	Wire Wrap	0.947 (24.05)	1.107 (28.12)	1.057 (26.85)	0.250 post length – 0.016 sq.
R-0-WW-025	Wire Wrap	0.997 (25.32)	1.157 (29.39)	1.107 (28.12)	0.300 post length – 0.025 sq.
R-0-PW-12-1	Preattached Wire ⁽²⁾	0.697 (17.70)	0.857 (21.77)	0.807 (20.50)	12" wire length, 1" strip length
R-0-PW-36-1	Preattached Wire ⁽²⁾	0.697 (17.70)	0.857 (21.77)	0.807 (20.50)	36" wire length, 1" strip length

HOW TO ORDER

R - 0 - CR
1 2 3

1 ▶ SERIES	R	RX ⁽¹⁾
2 ▶ SIZE	0	
3 ▶ TERMINATION	CR CRIMP	SC SOLDER CUP
	WW - 016 WIRE WRAP 0.016 SQ.	WW - 025 WIRE WRAP 0.025 SQ.
	PW - 12 - 1 PREATTACHED WIRE 12 IN., 1 IN. STRIP LENGTH ⁽²⁾	
	PW - 36 - 1 PREATTACHED WIRE 36 IN., 1 IN. STRIP LENGTH ⁽²⁾	

1. Improved pointing accuracy
2. Wire length 36" with a 1" strip length, 12" & 36" standard, blue solid conductor Kynar wire
Dimensions are in inches (mm) | All specifications are subject to change