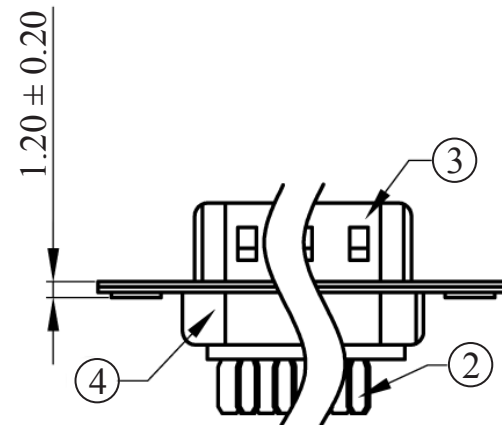
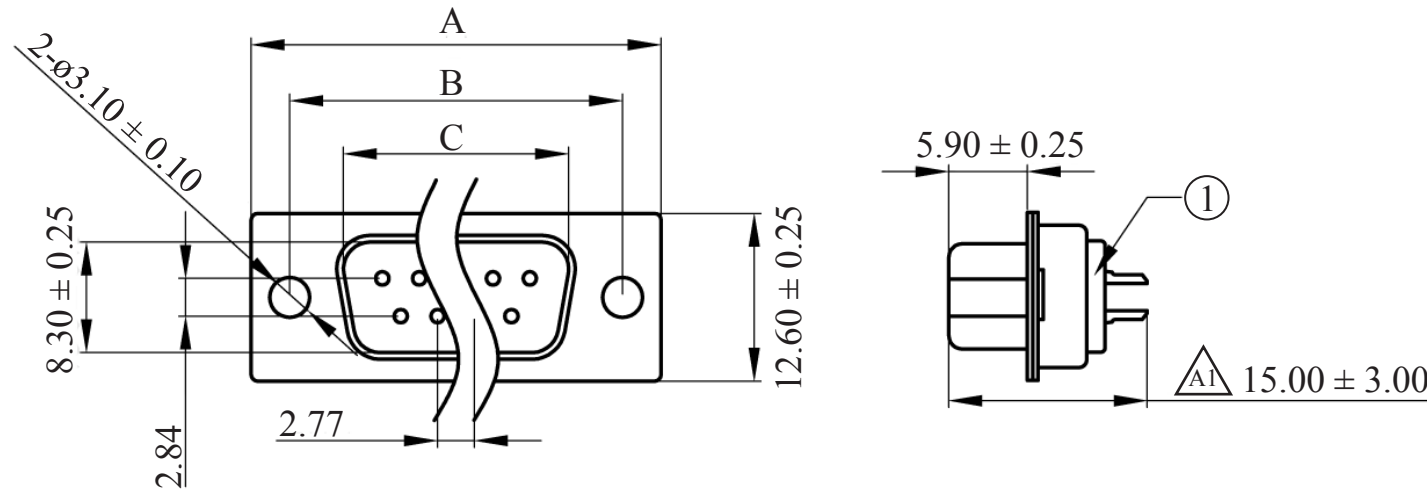


# 25-07461

## Specifications:

1. Current rating: 1A Max.
2. Dielectric withstanding voltage: 500V (AC) for 1 minute.
3. Contact resistance: 30mW Max.
4. Insulation resistance: 100 MΩ Min at DC 500V
5. Temperature range: -55°C ~ + 105°C

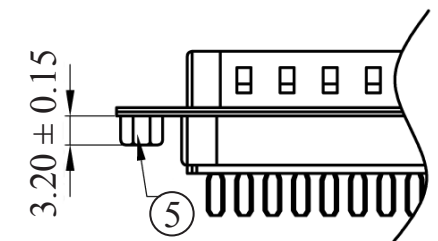
UL Listed  
IEC & ISO Listed



9 Pin (M)	A	30.80	B	25.00	C	16.92
15 Pin (M)		39.20		33.32		25.25
25 Pin (M)		53.05		47.04		38.96
37 Pin (M)		69.40		63.50		55.42

Measurements ±0.25

### Threaded Hole



5		2	Brass	H 4.75 x 4.75	80u" Min Nickel Plated
4	Back-Shell	1	Cold Rolled Steel	T = 0.40mm	Cu: 40u" Min. 80u" Min Tin Plated
3	Front-Shell	1	Cold Rolled Steel	T = 0.40mm	Cu: 40u" Min. 80u" Min Nickel Plated
2	Contact	9 ~ 37	Brass	T = 0.20mm	Contact area: 0.8u" Min Gold Plated over 40u" Nickel min. Solder area: 80u" min Tin Plated over 40u" Nickel Min
1	Housing	1	P.B.T	UL 94-V0	Black/Blue/White
No.	Category	Qty	Material	Remarks & Thickness	Finish

Part #	2200 Male Series	Part #		Type
Title	Solder Cup Connector, Male	2200-009P		DB9, 9 Pin
		2200-015P		DB15, 15 Pin
Unit	 <b>PI Manufacturing Corp.</b>	2200-025P		DB25, 25 Pin
mm		2200-037P		DB37, 37 Pin