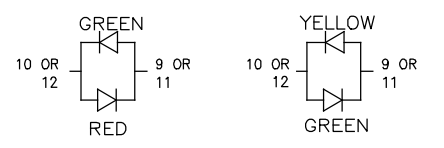
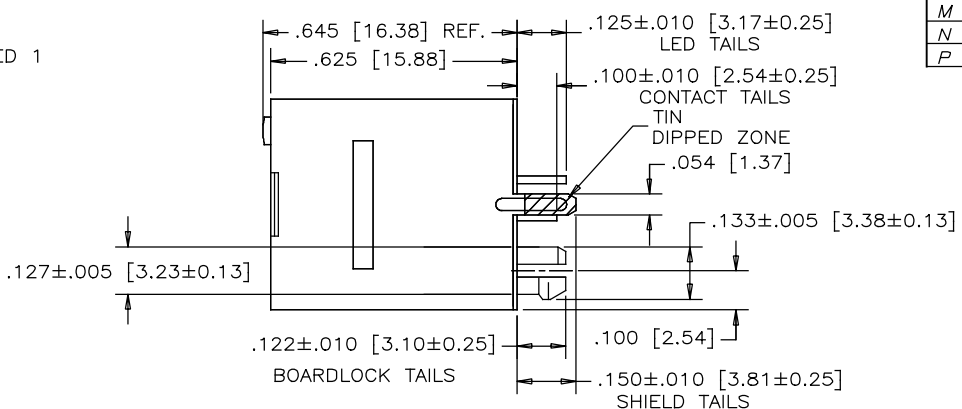
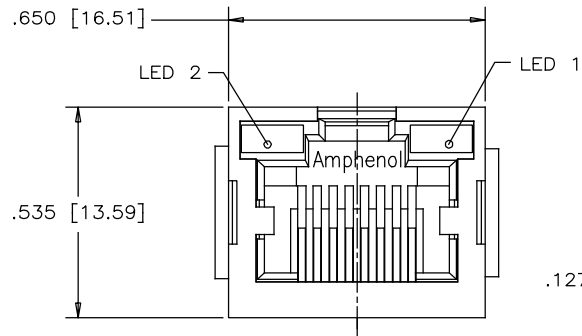
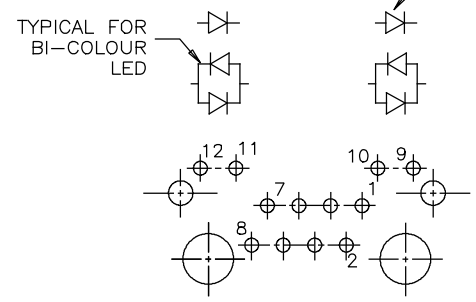


REVISIONS			
REV	DESCRIPTION, ECN, EAR NO.	DATE	APP'D
M	CORRECT DRAWING	SEP10/15	L.CHAN
N	CORRECT DIMENSION	MAR10/16	L.CHAN
P	CORRECT DRAWING	APR12/17	L.CHAN



BI-COLOUR LED DETAIL
(RED/YELLOW AND GREEN/ORANGE LED'S ARE ALSO AVAILABLE)

TYPICAL FOR SINGLE COLOR LED (RED, GREEN, OR YELLOW)



MATERIALS:

LED SCHEMATIC
PLASTIC HOUSING: HIGH TEMPERATURE THERMOPLASTIC
FLAMMABILITY RATING UL 94V-0

CONTACTS: PHOSPHOR BRONZE
(FLAT) PLATING: 30 μ" [0.76 MICRONS]
MIN. GOLD ON MATING SURFACES.
50 μ" [1.27 MICRONS]
MIN. NICKEL UNDERPLATE
100 μ" [2.54 MICRONS]
MIN. MATTE TIN ON CONTACT TAILS.

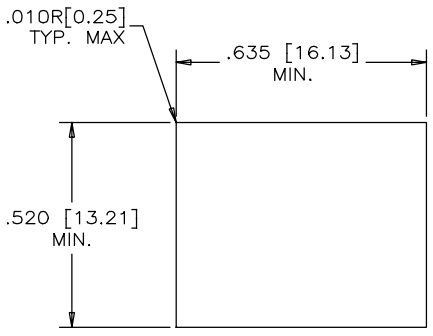
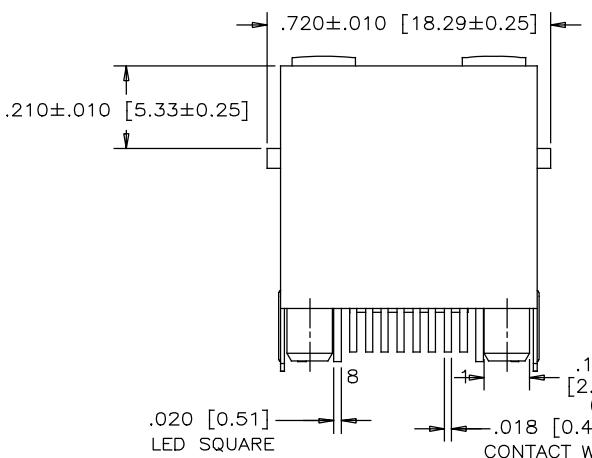
SHIELD: STAINLESS STEEL WITH TIN DIPPED ON SOLDER TAILS.

RECOMMENDED SOLDERING TEMPERATURE:
WAVE SOLDERING TEMPERATURE AT 260°C MAXIMUM
FOR 5 SEC MAXIMUM.

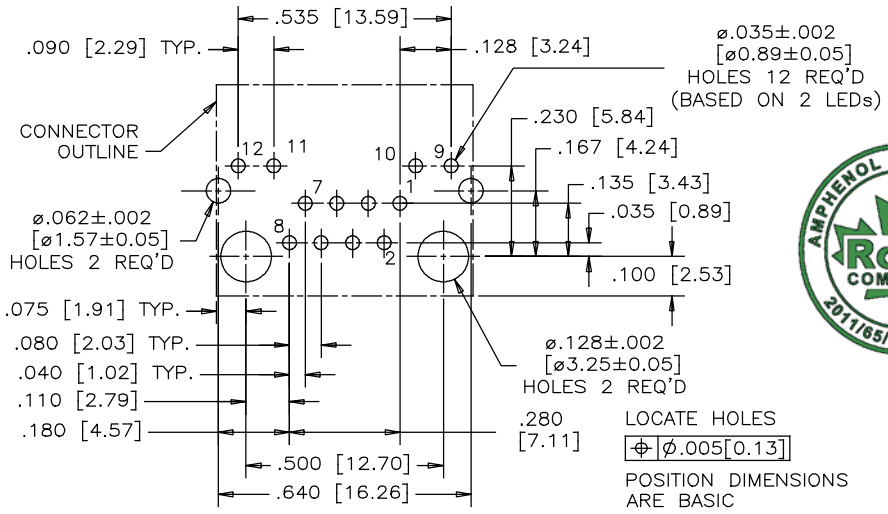
ENVIRONMENTAL: OPERATING TEMPERATURE: -55°C to 85°C

AMPHENOL PART NUMBER: RJHSE-338X

REFER TO LED OPTIONS DRAWING FOR ORDERING CODES



RECOMMENDED PANEL CUTOUT
CONTACT WIDTH * THICKNESS



RECOMMENDED P.C.B. LAYOUT
(COMPONENT SIDE OF BOARD)

ø.035±.002 [ø0.89±0.05]
HOLES 12 REQ'D
(BASED ON 2 LEDs)



LOCATE HOLES
⊕ ⌀.005 [0.13]

POSITION DIMENSIONS ARE BASIC

25-07442

UNLESS SPECIFIED OTHERWISE	DRAWN FRANK.W	DATE APR01/14	Amphenol Canada Corp. www.amphenolcanada.com
PRIMARY UNITS INCH	CHECKED L.CHAN	APR01/14	
SECONDARY MILLIMETER	M.E. APP'D		TITLE
REFERENCE IN PARENTHESES	Q.A. APP'D		SINGLE-PORT HIGH SPEED MODULAR JACK, 8 POSITIONS, 8 FLAT CONTACTS, WITH LED'S AND SHIELD - ROHS COMPLIANT
GENERAL TOLERANCES	DWG APPR.		DWG. NO.
1 DECIMAL PLACE ±0.025	ENG. REL. NO.		P-RJHSE-338X
2 DECIMAL PLACES ±0.020	REF.		REV P
3 DECIMAL PLACES ±0.015	THIRD ANGLE PROJECTION	DO NOT SCALE DRAWING	CODE ID NO. 03554 DWG SIZE: C SCALE: N/A SHEET 1 OF 1
ANGULAR DEGREES ±1.0°			