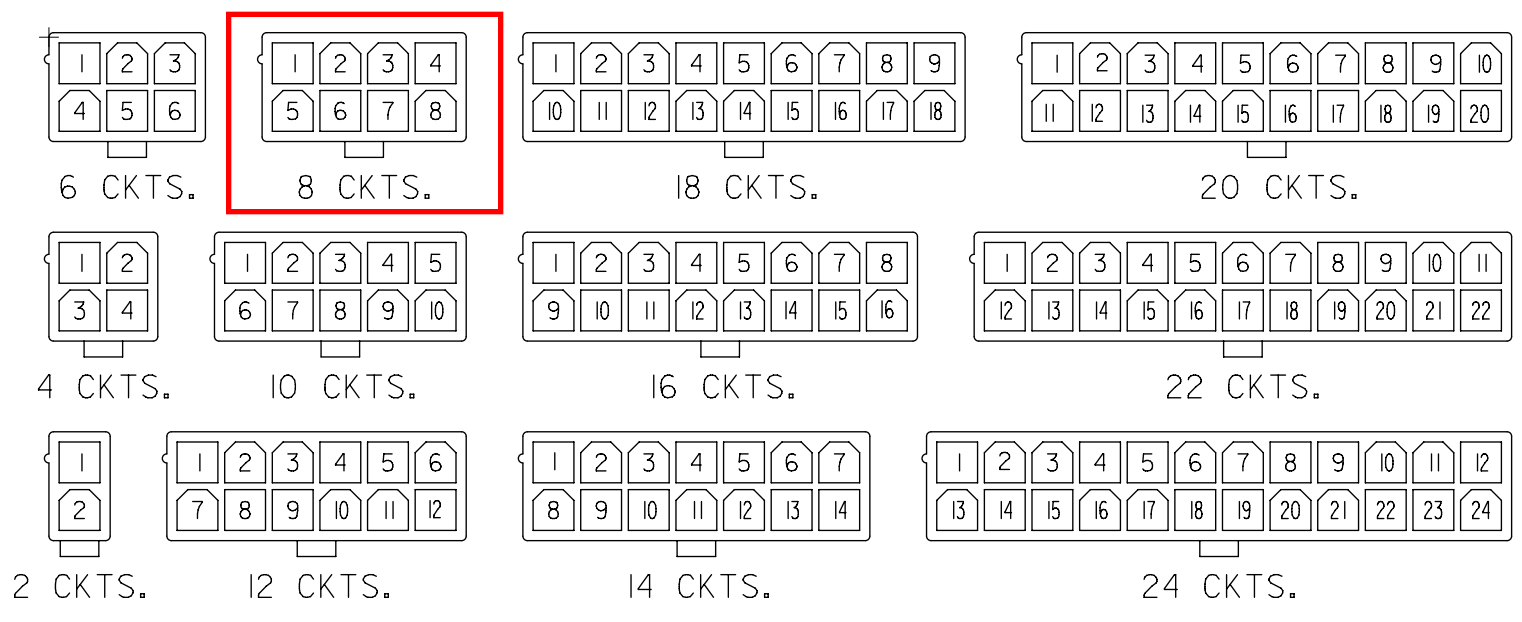
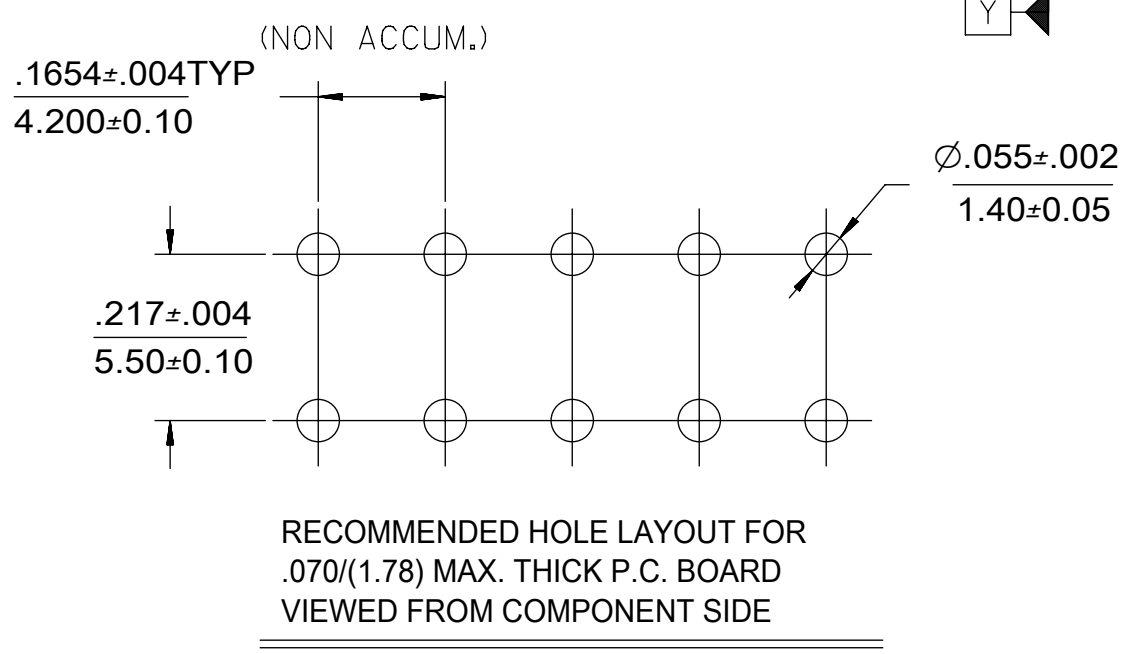
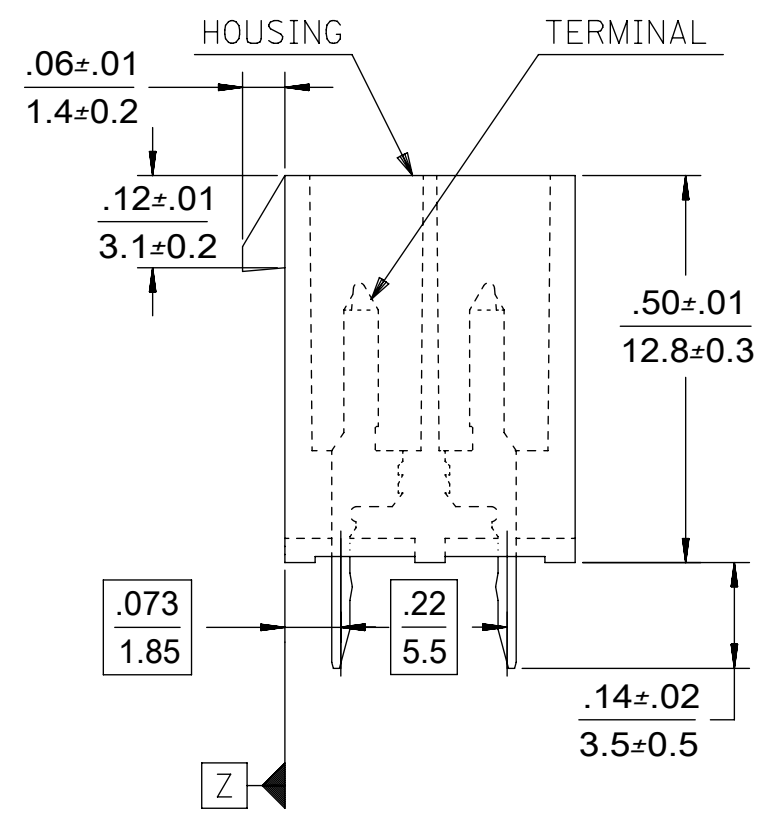
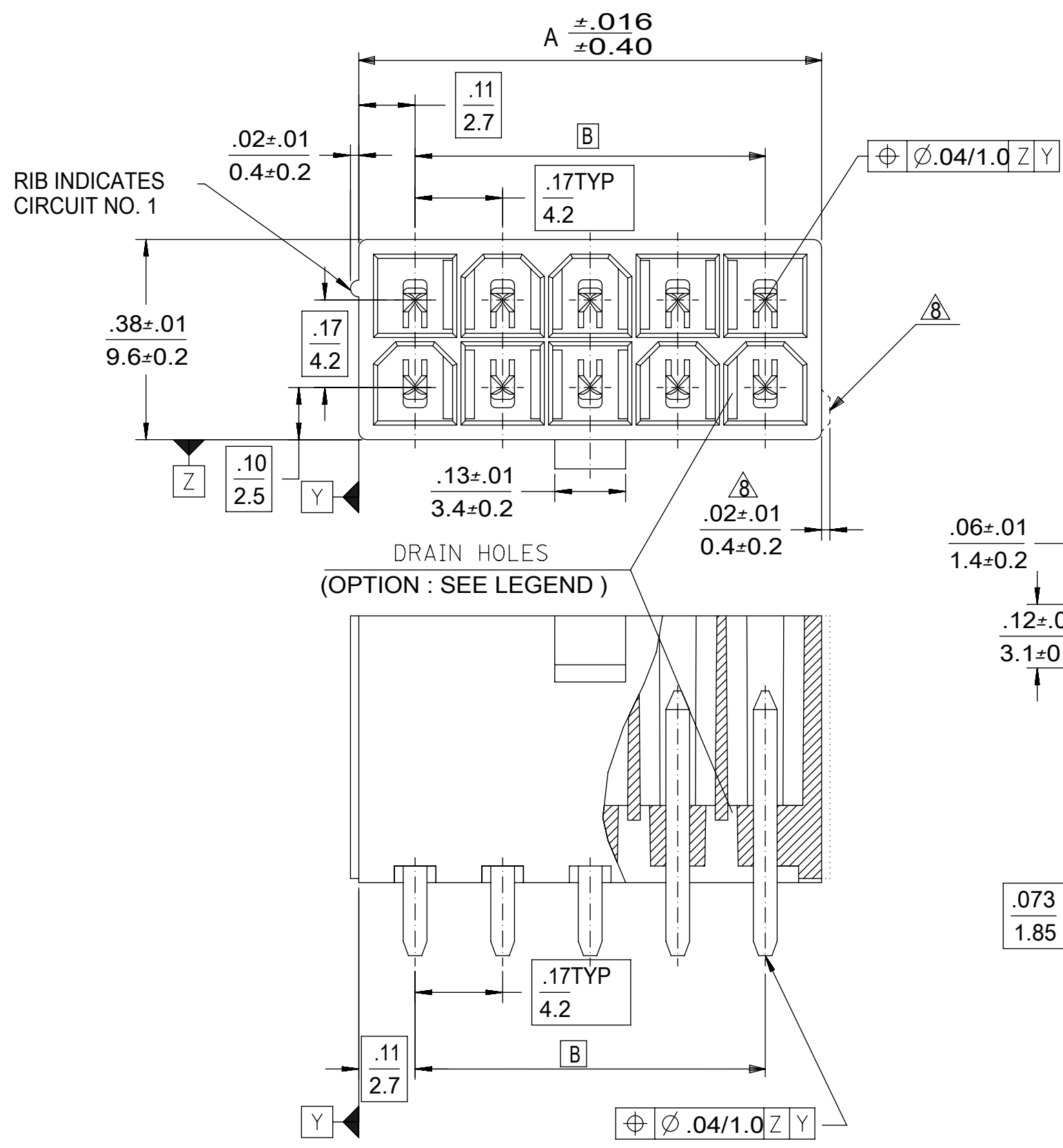


25-07440

CIRCUIT SIZE	DIM. "A"	DIM. "B"
2	.21 (5.4)	—
4	.38 (9.6)	.17 (4.2)
6	.54 (13.8)	.33 (8.4)
8	.71 (18.0)	.50 (12.6)
10	.87 (22.2)	.66 (16.8)
12	1.04 (26.4)	.83 (21.0)
14	1.20 (30.6)	.99 (25.2)
16	1.37 (34.8)	1.16 (29.4)
18	1.54 (39.0)	1.32 (33.6)
20	1.70 (43.2)	1.49 (37.8)
22	1.87 (47.4)	1.65 (42.0)
24	2.03 (51.6)	1.82 (46.2)



CIRCUIT SIZE LAYOUT



- NOTES:
- MATERIALS:  
HOUSING:  
"BLANK"=NYLON 6/6, UL94V-2, COLOR: NATURAL  
"210"=NYLON 6/6, UL94V-0, COLOR: NATURAL  
"400"=NYLON 6/6, UL94V-0, COLOR: BLACK  
TERMINALS:  
"BLANK" = BRASS  
"PB" = PHOSPHOR BRONZE
  - TERMINAL PLATING:  
"BLANK" = REFLOWED MATTE TIN .000035/(0.00090) MIN.  
OVER COPPER .000020/(0.00050) MIN. (BRASS) (PREPLATE)  
OR REFLOWED MATTE TIN .000035/(0.00090) MIN. (PHOSPHOR BRONZE) (PREPLATE)  
(FINISH IS BRIGHT IN APPEARANCE, THICKNESS AS APPLIED PRIOR TO REFLOW)  
"S"=.000100/(0.00254) MIN. BRIGHT TIN OVER  
.000050/(0.00127) MIN NICKEL  
"MS"=.000100/(0.00254) MIN. MATTE TIN OVER  
.000050/(0.00127) MIN NICKEL  
"GS2"=.000015/(0.00038) MIN. SELECT GOLD AND  
.000100/(0.00254) MIN. SELECT MATTE TIN  
OVER .000050/(0.00127) MIN. NICKEL OVERALL  
"GS"=.000030/(0.00076) MIN. SELECT GOLD AND  
.000100/(0.00254) MIN. SELECT MATTE TIN  
OVER .000050/(0.00127) MIN. NICKEL OVERALL
  - PRODUCT SPECIFICATION: PS-5556-001
  - PACKAGING: "BLANK"= BULK PACKED,  
"TA"=TRAY PACK PER PK-5566-001, "TR"=TRAY PACK PER PK-5566
  - PART MATES WITH MINI-FIT JR. RECEPTACLE NO. 5557.
  - PART IS NOT DESIGNED FOR CURRENT SHARING.
  - PARTS ARE NOT DESIGNED TO BE MATED OR UN-MATED  
WHILE CIRCUITS ARE LIVE.
  - ANTI-SHINGLING RIB MAY OR MAY NOT APPEAR ON  
HOUSINGS.
  - PART CONFORMS TO CLASS "B" REQUIREMENTS OF  
COSMETIC SPECIFICATION PS-45499-002.
  - TEXT ON PART IS FOR REFERENCE ONLY. TEXT AND TEXT LOCATION MAY VARY  
DEPENDING ON PART NUMBER AND/OR TOOL.

LEGEND

BASE NUMBER	5566 - N * * * - * - *	
CIRCUIT SIZE		
ASSY TYPE		
A : WITHOUT DRAIN HOLES		
B : WITH DRAIN HOLES		
TERMINAL MATERIAL	SEE NOTE 1	
TERMINAL PLATING	SEE NOTE 2	
HOUSING MATERIAL	SEE NOTE 1	
COLOR OR PACKAGING		
BL : BLACK	RE : RED	GR : GRAY
BU : BLUE	YE : YELLOW	GRE : GREEN
V : VIOLET	OR : ORANGE	
TA : TRAY PACKAGING	SEE NOTE 4	
TR : TRAY PACKAGING	SEE NOTE 4	

<p>QUALITY SYMBOLS</p> <p>▽ = 0</p> <p>▽ = 0</p> <p>▽ = 0</p> <p>▽ = 0</p> <p>▽ = 0</p> <p>▽ = 0</p> <p>▽ = 0</p> <p>▽ = 0</p> <p>▽ = 0</p> <p>▽ = 0</p>		<p>THIS DRAWING CONTAINS INFORMATION THAT IS PROPRIETARY TO MOLEX ELECTRONIC TECHNOLOGIES, LLC AND SHOULD NOT BE USED WITHOUT WRITTEN PERMISSION</p>		<p>GENERAL TOLERANCES (UNLESS SPECIFIED)</p> <table border="1"> <tr> <th></th> <th>MM</th> <th>INCH</th> </tr> <tr> <td>4 PLACES</td> <td>±</td> <td>±</td> </tr> <tr> <td>3 PLACES</td> <td>±</td> <td>± 0.005</td> </tr> <tr> <td>2 PLACES</td> <td>± 0.13</td> <td>± 0.01</td> </tr> <tr> <td>1 PLACES</td> <td>± 0.25</td> <td>±</td> </tr> <tr> <td>0 PLACES</td> <td>±</td> <td>±</td> </tr> </table>			MM	INCH	4 PLACES	±	±	3 PLACES	±	± 0.005	2 PLACES	± 0.13	± 0.01	1 PLACES	± 0.25	±	0 PLACES	±	±	<p>DIMENSION UNITS</p> <p>IN/MM</p> <p>SCALE</p> <p>4:1</p>		<p><b>molex</b></p>	
	MM	INCH																									
4 PLACES	±	±																									
3 PLACES	±	± 0.005																									
2 PLACES	± 0.13	± 0.01																									
1 PLACES	± 0.25	±																									
0 PLACES	±	±																									
<p>ADD PINS</p> <p>EC NO: 120605</p> <p>DRWN: ZHARPER</p> <p>CHKD: JBELL</p> <p>REV: APPR: FSMITH</p>		<p>DRWN BY</p> <p>H.HIRAMOTO</p> <p>DATE</p> <p>1989/04/03</p>		<p>DATE</p> <p>2017/08/11</p> <p>2017/08/18</p> <p>2017/08/18</p>		<p>CHK'D BY</p> <p>M.FUKUSHIMA</p> <p>DATE</p> <p>1994/04/20</p>		<p>MINI FIT JR VERTICAL HEADER ASSEMBLIES WITHOUT PEGS</p>																			
<p>ANGULAR TOL = 0.5</p> <p>DRAFT WHERE APPLICABLE MUST REMAIN WITHIN DIMENSIONS</p>		<p>APPR BY</p> <p>FSMITH</p> <p>DATE</p> <p>2012/05/04</p>		<p>DRAWING SIZE</p> <p>C</p>		<p>THIRD ANGLE PROJECTION</p>		<p>PRODUCT CUSTOMER DRAWING</p>																			
<p>RELEASE STATUS</p> <p>12</p>		<p>RELEASE DATE</p> <p>11</p>		<p>SERIES</p> <p>5566</p>		<p>MATERIAL NUMBER</p> <p>SEE TABLE</p>		<p>CUSTOMER</p> <p>GENERAL MARKET</p>																			
<p>11</p>		<p>10</p>		<p>DOCUMENT NUMBER</p> <p>SD-5566-002</p>		<p>DOC TYPE</p> <p>PSD</p>		<p>DOC PART</p> <p>000</p>																			
<p>9</p>		<p>8</p>		<p>SHEET NUMBER</p> <p>1 OF 5</p>		<p>1</p>		<p>1</p>																			

	12	11	10	9	8	7	6	5	4	3	2	1	
				39-30-9245	5566-24AGS2-210	39-29-6248	5566-24AGS-210				39-28-8240	5566-24A-210	24
				39-30-9225	5566-22AGS2-210	39-29-6228	5566-22AGS-210				39-28-8220	-22A-210	22
				39-30-9205	5566-20AGS2-210	39-29-6208	5566-20AGS-210				39-28-8200	-20A-210	20
				39-30-9185	5566-18AGS2-210	39-29-6188	5566-18AGS-210				39-28-8180	-18A-210	18
				39-30-9165	5566-16AGS2-210	39-29-6168	5566-16AGS-210	39-30-6162	5566-16AS-210		39-28-8160	-16A-210	16
				39-30-9145	5566-14AGS2-210	39-29-6148	5566-14AGS-210				39-28-8140	-14A-210	14
				39-30-9125	5566-12AGS2-210	39-29-6128	5566-12AGS-210				39-28-8120	-12A-210	12
				39-30-9105	5566-10AGS2-210	39-29-6108	5566-10AGS-210				39-28-8100	-10A-210	10
				39-30-9085	5566-08AGS2-210	39-29-6088	5566-08AGS-210	39-30-6082	5566-08AS-210		39-28-8080	-08A-210	8
				39-30-9065	5566-06AGS2-210	39-29-6068	5566-06AGS-210	39-30-6062	5566-06AS-210		39-28-8060	-06A-210	6
				39-30-9045	5566-04AGS2-210	39-29-6048	5566-04AGS-210	39-30-6042	5566-04AS-210		39-28-8040	-04A-210	4
				39-30-9025	5566-02AGS2-210	39-29-6028	5566-02AGS-210				39-28-8020	5566-02A-210	2
	EDP NO.	ENG. NO.	EDP NO.	ENG. NO.	EDP NO.	ENG. NO.	EDP NO.	ENG. NO.	EDP NO.	ENG. NO.	EDP NO.	ENG. NO.	CKT. SIZE
	5566-NAPB-210		5566-NAGS2-210		5566-NAGS-210		5566-NAS-210		5566-NA-210				
	39-29-5246	5566-24APB	39-30-9244	5566-24AGS2	39-29-0243	5566-24AGS					39-28-1243	5566-24A	24
			39-30-9224	5566-22AGS2	39-29-0223	5566-22AGS					39-28-1223	5566-22A	22
			39-30-9204	5566-20AGS2	39-29-0203	5566-20AGS					39-28-1203	5566-20A	20
			39-30-9184	5566-18AGS2	39-29-0183	5566-18AGS					39-28-1183	5566-18A	18
			39-30-9164	5566-16AGS2	39-29-0163	5566-16AGS					39-28-1163	5566-16A	16
	39-29-5146	5566-14APB	39-30-9144	5566-14AGS2	39-29-0143	5566-14AGS					39-28-1143	5566-14A	14
			39-30-9124	5566-12AGS2	39-29-0123	5566-12AGS					39-28-1123	5566-12A	12
	39-29-5106	5566-10APB	39-30-9104	5566-10AGS2	39-29-0103	5566-10AGS	39-30-6101	5566-10AS			39-28-1103	5566-10A	10
	39-29-5086	5566-08APB	39-30-9084	5566-08AGS2	39-29-0083	5566-08AGS	39-30-6081	5566-08AS			39-28-1083	5566-08A	8
	39-29-5066	5566-06APB	39-30-9064	5566-06AGS2	39-29-0063	5566-06AGS					39-28-1063	5566-06A	6
	39-29-5046	5566-04APB	39-30-9044	5566-04AGS2	39-29-0043	5566-04AGS					39-28-1043	5566-04A	4
	39-29-5026	5566-02APB	39-30-9024	5566-02AGS2	39-29-0023	5566-02AGS					39-28-1023	5566-02A	2
	EDP NO.	ENG. NO.	EDP NO.	ENG. NO.	EDP NO.	ENG. NO.	EDP NO.	ENG. NO.	EDP NO.	ENG. NO.	EDP NO.	ENG. NO.	CKT. SIZE
	5566-NAPB		5566-NAGS2		5566-NAGS		5566-NAS		5566-NA				

PARTS WITHOUT DRAIN HOLES

<b>QUALITY SYMBOLS</b> 	THIS DRAWING CONTAINS INFORMATION THAT IS PROPRIETARY TO MOLEX ELECTRONIC TECHNOLOGIES, LLC AND SHOULD NOT BE USED WITHOUT WRITTEN PERMISSION												
	<b>ADD PINS</b> EC NO: 120605 DRWN: ZHARPER CHKD: JBELL REV: APPR: FSMITH	<b>GENERAL TOLERANCES (UNLESS SPECIFIED)</b>				<b>DIMENSION UNITS</b> IN/MM		<b>SCALE</b> 1:1					
		4 PLACES ±		3 PLACES ±		2 PLACES ±		1 PLACES ±					
		MM		INCH		<b>DRWN BY</b> H.HIRAMOTO		<b>DATE</b> 1989/04/03		<b>MINI FIT JR VERTICAL HEADER ASSEMBLIES WITHOUT PEGS</b>			
		± 0.005		± 0.01		<b>CHK'D BY</b> M.FUKUSHIMA		<b>DATE</b> 1994/04/20					
		<b>ANGULAR TOL = 0.5</b>				<b>DRAWING SIZE</b> C		<b>THIRD ANGLE PROJECTION</b>		<b>PRODUCT CUSTOMER DRAWING</b>			
		<b>DRAFT WHERE APPLICABLE MUST REMAIN WITHIN DIMENSIONS</b>						<b>APPR BY</b> FSMITH					
		<b>SERIES</b> 5566		<b>MATERIAL NUMBER</b> SEE TABLE		<b>CUSTOMER</b> GENERAL MARKET				<b>DOCUMENT NUMBER</b> SD-5566-002			
		<b>DOC TYPE</b> PSD		<b>DOC PART</b> 000		<b>SHEET NUMBER</b> 2 OF 5							

12	11	10	9	8	7	6	5	4	3	2	1		
											24		
											22		
											20		
											18		
							39-31-0168	5566-16BGS-210	39-31-0160	5566-16B-210	16		
							39-31-0148	5566-14BGS-210	39-31-0140	5566-14B-210	14		
							39-31-0128	5566-12BGS-210	39-31-0120	5566-12B-210	12		
							39-31-0108	5566-10BGS-210	39-31-0100	5566-10B-210	10		
							39-31-0088	5566-08BGS-210	39-31-0080	5566-08B-210	8		
							39-31-0068	5566-06BGS-210	39-31-0060	5566-06B-210	6		
							39-31-0048	5566-04BGS-210	39-31-0040	5566-04B-210	4		
							39-31-0028	5566-02BGS-210	39-31-0020	5566-02B-210	2		
							EDP NO.	ENG. NO.	EDP NO.	ENG. NO.	CKT. SIZE		
							5566-NBGS-210		5566-NB-210				
											24		
											22		
							39-31-0207	5566-20BGS	39-29-3206	5566-20B	20		
											18		
							<b>39-31-0167</b>	5566-16BGS	39-29-3166	5566-16B	16		
							39-31-0147	5566-14BGS	39-29-3146	5566-14B	14		
									39-29-3126	5566-12B	12		
							39-31-0107	5566-10BGS	39-29-3106	5566-10B	10		
							39-31-0087	5566-08BGS	39-29-3086	5566-08B	8		
							39-31-0067	5566-06BGS	39-29-3066	5566-06B	6		
						<b>39-30-9046</b>	<b>5566-04BGS2</b>	39-31-0047	5566-04BGS	39-29-3046	5566-04B	4	
								39-31-0027	5566-02BGS	39-29-3026	5566-02B	2	
							EDP NO.	ENG. NO.	EDP NO.	ENG. NO.	CKT. SIZE		
							5566-NBGS2		5566-NBGS		5566-NB		

PENDING OBSOLETE

PARTS WITH DRAIN HOLES

-NOT RECOMENDED FOR NEW APPLICATIONS

<b>QUALITY SYMBOLS</b> 	THIS DRAWING CONTAINS INFORMATION THAT IS PROPRIETARY TO MOLEX ELECTRONIC TECHNOLOGIES, LLC AND SHOULD NOT BE USED WITHOUT WRITTEN PERMISSION											
	<b>ADD PINS</b> EC NO: 120605 DRWN: ZHARPER CHKD: JBELL REV APPR: FSMITH	<b>GENERAL TOLERANCES (UNLESS SPECIFIED)</b> MM INCH 4 PLACES ± ± 3 PLACES ± ± 0.005 2 PLACES ± 0.13 ± 0.01 1 PLACES ± 0.25 ± 0 PLACES ± ±			<b>DIMENSION UNITS</b> IN/MM		<b>SCALE</b> 1:1					
		<b>DRWN BY</b> H.HIRAMOTO		<b>DATE</b> 1989/04/03								
		<b>CHK'D BY</b> M.FUKUSHIMA		<b>DATE</b> 1994/04/20								
		<b>APPR BY</b> FSMITH		<b>DATE</b> 2012/05/04		<b>PRODUCT CUSTOMER DRAWING</b>						
		<b>ANGULAR TOL</b> = 0.5		<b>DRAWING SIZE</b> C		<b>THIRD ANGLE PROJECTION</b>		<b>SERIES</b> 5566	<b>MATERIAL NUMBER</b> SEE TABLE		<b>CUSTOMER</b> GENERAL MARKET	
	<b>DRAFT WHERE APPLICABLE MUST REMAIN WITHIN DIMENSIONS</b>						<b>DOCUMENT NUMBER</b> SD-5566-002	<b>DOC TYPE</b> PSD	<b>DOC PART</b> 000	<b>SHEET NUMBER</b> 3 OF 5		

COLORED PART NUMBERS

						24
						22
						20
46999-0085	5566-18AS-RE					18
						16
						14
						12
				46999-0087	5566-10AS-V	10
						8
		46999-0089	5566-08AS-OR			6
						4
						2
EDP. NO.	ENG. NO.	EDP. NO.	ENG. NO.	EDP. NO.	ENG. NO.	CKT. SIZE
5566-NAS-RE		5566-NAS-OR		5566-NAS-V		

TRAY PACKED PER TA $\Delta$ 4	46999-0575	5566-24AMS-400	TRAY PACKED PER TA $\Delta$ 4							24		
	46999-0574	5566-22AMS-400									22	
	46999-0573	5566-20AMS-400									20	
	46999-0572	5566-18AMS-400									18	
	46999-0571	5566-16AMS-400									16	
	46999-0570	5566-14AMS-400									14	
	46999-0569	5566-12AMS-400									12	
	46999-0568	5566-10AMS-400		46999-0876	5566-10AMS-RE					39-33-0108	5566-10A-400	10
	46999-0567	5566-08AMS-400				46999-0091	5566-08AS-GRE					8
	46999-0566	5566-06AMS-400										6
	46999-0565	5566-04AMS-400										4
	46999-0564	5566-02AMS-400				50-36-2485	5566-02AS-GRE	39-34-5023	5566-02A-210-YE			2
EDP. NO.	ENG. NO.	EDP. NO.	ENG. NO.	EDP. NO.	ENG. NO.	EDP. NO.	ENG. NO.	EDP. NO.	ENG. NO.	CKT. SIZE		
5566-NAMS-400		5566-NAMS-RE		5566-NAS-GRE		5566-NA-210-YE		5566-NA-400				
										24		
										22		
										20		
										18		
										16		
39-33-3145	5566-14A-GR							39-33-3143	5566-14A-BL	14		
										12		
				39-33-3106	5566-10A-RE	39-33-3104	5566-10A-BU			10		
				39-33-3087	5566-08A-YE	39-33-3086	5566-08A-RE			8		
				39-33-3067	5566-06A-YE	39-33-3066	5566-06A-RE	39-33-3064	5566-06A-BU	6		
						39-33-3046	5566-04A-RE	39-33-3044	5566-04A-BU	4		
				39-33-3027	5566-02A-YE	39-33-3026	5566-02A-RE	39-33-3024	5566-02A-BU	2		
EDP. NO.	ENG. NO.	EDP. NO.	ENG. NO.	EDP. NO.	ENG. NO.	EDP. NO.	ENG. NO.	EDP. NO.	ENG. NO.	CKT. SIZE		
5566-NA-GR		5566-NA-YE		5566-NA-RE		5566-NA-BU		5566-NA-BL				

PARTS WITHOUT DRAIN HOLES

THIS DRAWING CONTAINS INFORMATION THAT IS PROPRIETARY TO MOLEX ELECTRONIC TECHNOLOGIES, LLC AND SHOULD NOT BE USED WITHOUT WRITTEN PERMISSION											
QUALITY SYMBOLS		ADD PINS		EC NO: 120605		DRWN: ZHARPER		CHKD: JBELL		REV: APPR: FSMITH	
$\nabla$ = 0	$\nabla$ = 0	$\nabla$ = 0	$\nabla$ = 0	$\nabla$ = 0	$\nabla$ = 0	$\nabla$ = 0	$\nabla$ = 0	$\nabla$ = 0	$\nabla$ = 0	$\nabla$ = 0	$\nabla$ = 0
GENERAL TOLERANCES (UNLESS SPECIFIED)				DIMENSION UNITS		SCALE		<b>molex</b>			
				IN/MM		1:1					
4 PLACES $\pm$				MM		INCH		DRWN BY DATE			
3 PLACES $\pm$				$\pm$ 0.005		$\pm$ 0.01		H.HIRAMOTO 1989/04/03			
2 PLACES $\pm$				$\pm$ 0.13		$\pm$ 0.01		CHK'D BY DATE			
1 PLACES $\pm$				$\pm$ 0.25		$\pm$		M.FUKUSHIMA 1994/04/20			
0 PLACES $\pm$				$\pm$		$\pm$		APPR BY DATE			
								FSMITH 2012/05/04			
ANGULAR TOL = 0.5				DRAWING SIZE		THIRD ANGLE PROJECTION		SERIES MATERIAL NUMBER CUSTOMER			
				C				5566 SEE TABLE GENERAL MARKET			
DRAFT WHERE APPLICABLE MUST REMAIN WITHIN DIMENSIONS								DOCUMENT NUMBER SD-5566-002 DOC TYPE PSD DOC PART 000 SHEET NUMBER 4 OF 5			

H

G

F

E

D

C

B

A

TRAY PACKED PART NUMBERS  
PARTS WITHOUT DRAIN HOLES

TRAY PACKED PER TA	EDP. NO.	ENG. NO.	TRAY PACKED PER TA	EDP. NO.	ENG. NO.	CKT. SIZE
	46999-0137	5566-24AMS		46999-0149	5566-24AMS-210	24
	46999-0136	5566-22AMS		46999-0148	5566-22AMS-210	22
	46999-0135	5566-20AMS		46999-0147	5566-20AMS-210	20
	46999-0134	5566-18AMS		46999-0146	5566-18AMS-210	18
	46999-0133	5566-16AMS		46999-0145	5566-16AMS-210	16
	46999-0132	5566-14AMS		46999-0144	5566-14AMS-210	14
	46999-0131	5566-12AMS		46999-0143	5566-12AMS-210	12
	46999-0130	5566-10AMS		46999-0142	5566-10AMS-210	10
	46999-0129	5566-08AMS		46999-0141	5566-08AMS-210	8
	46999-0128	5566-06AMS		46999-0140	5566-06AMS-210	6
	46999-0127	5566-04AMS		46999-0139	5566-04AMS-210	4
	46999-0126	5566-02AMS		46999-0138	5566-02AMS-210	2
<b>5566-NAMS</b>		<b>5566-NAMS-210</b>			<b>CKT. SIZE</b>	
					24	
					22	
					20	
			39-53-9188	5566-18A-TA	18	
					16	
					14	
					12	
					10	
					8	
	46999-0630	5566-06AGS2-BL-TA			6	
	46999-0629	5566-04AGS2-BL-TA			4	
					2	
					2	
					2	
	EDP. NO.	ENG. NO.	EDP. NO.	ENG. NO.	CKT. SIZE	
			5566-NAGS2-BL-TA	5566-NA-TA	CKT. SIZE	

THIS DRAWING CONTAINS INFORMATION THAT IS PROPRIETARY TO MOLEX ELECTRONIC TECHNOLOGIES, LLC AND SHOULD NOT BE USED WITHOUT WRITTEN PERMISSION

QUALITY SYMBOLS	ADD PINS	GENERAL TOLERANCES (UNLESS SPECIFIED)	DIMENSION UNITS	SCALE	molex®					
▽ = 0	EC NO: 120605 DRWN: ZHARPER CHKD: JBELL REV   APPR: FSMITH	MM    INCH	IN/MM	1:1	<b>MINI FIT JR VERTICAL HEADER ASSEMBLIES WITHOUT PEGS</b>  <b>PRODUCT CUSTOMER DRAWING</b>					
▽ = 0	2017/08/11	4 PLACES ±    ±	DRWN BY	DATE				SERIES	MATERIAL NUMBER	CUSTOMER
▽ = 0	2017/08/18	3 PLACES ±    ± 0.005	H.HIRAMOTO	1989/04/03				5566	SEE TABLE	GENERAL MARKET
▽ = 0	2017/08/18	2 PLACES ± 0.13    ± 0.01	CHK'D BY	DATE						
▽ = 0		1 PLACES ± 0.25    ±	M.FUKUSHIMA	1994/04/20						
▽ = 0		0 PLACES ±    ±	APPR BY	DATE						
▽ = 0		ANGULAR TOL = 0.5	FSMITH	2012/05/04						
▽ = 0		DRAFT WHERE APPLICABLE MUST REMAIN WITHIN DIMENSIONS	DRAWING SIZE	THIRD ANGLE PROJECTION						
	<b>M2</b>		<b>C</b>							
					DOCUMENT NUMBER	DOC TYPE	DOC PART	SHEET NUMBER		
					SD-5566-002	PSD	000	5 OF 5		