

MATERIALS AND FINISHES

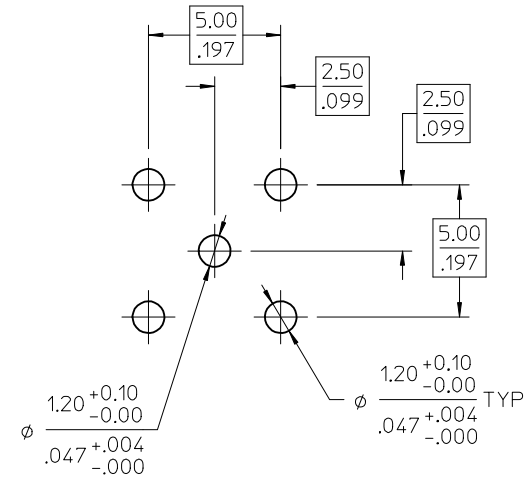
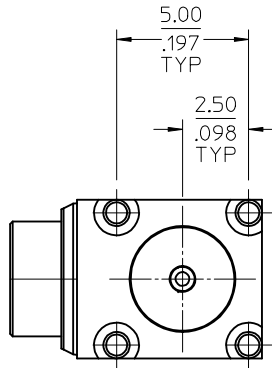
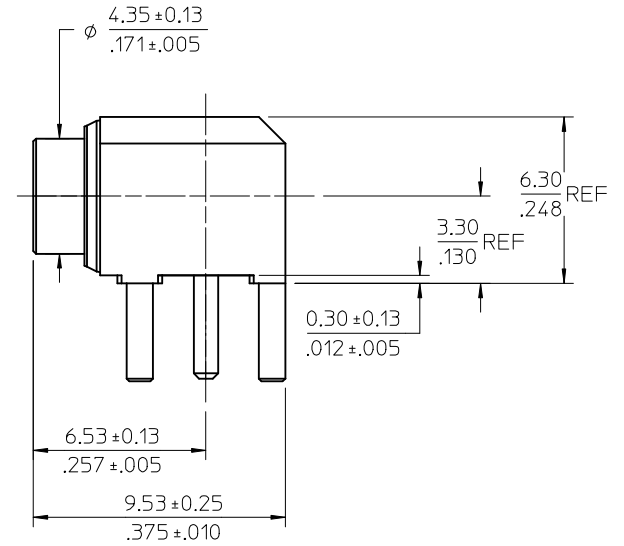
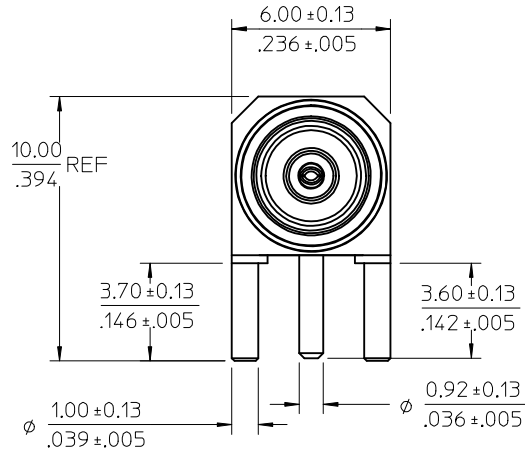
(73366-0030/73366-0031)
FRONT BODY BRASS
PLATED NICKEL

(73366-0032)
FRONT BODY BRASS
PLATED GOLD

CENTER CONTACT BERYLLIUM COPPER
PLATED GOLD

INSULATOR TEFLON

HOUSING ZINC ALLOY
PLATED TIN

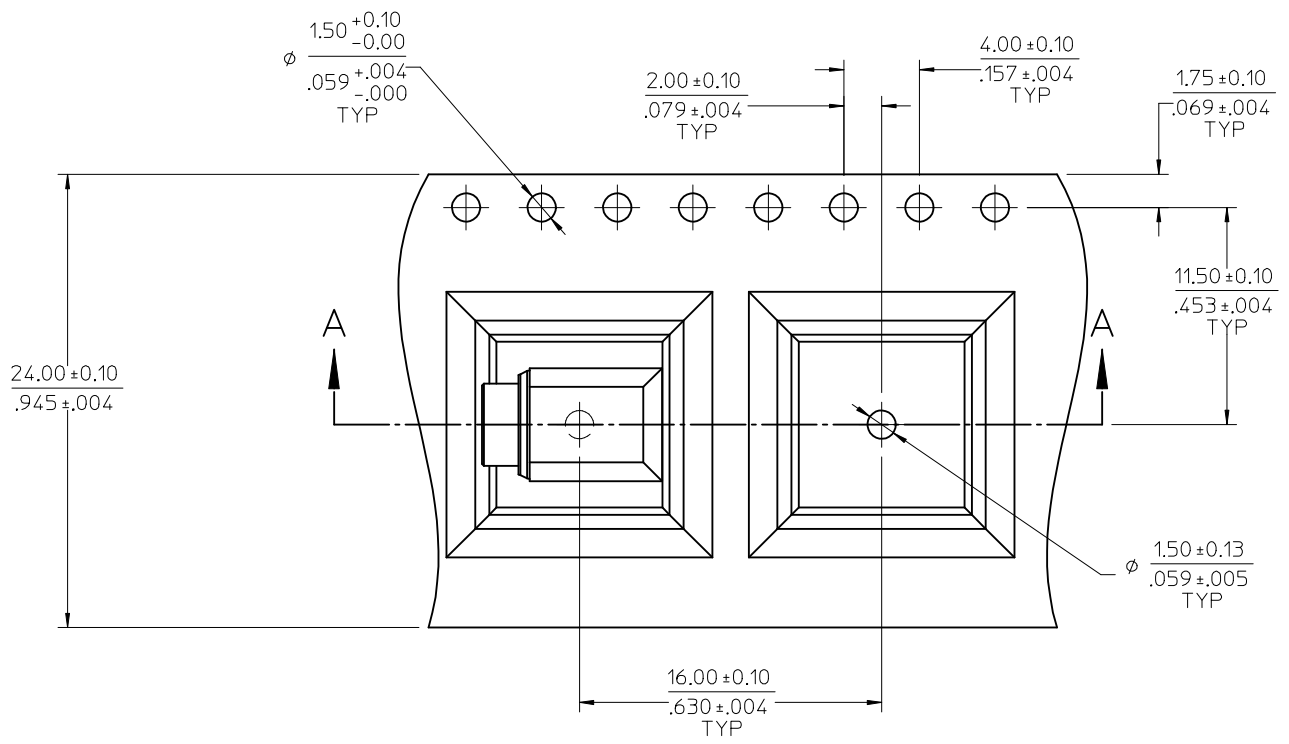


RECOMMENDED MOUNTING PATTERN

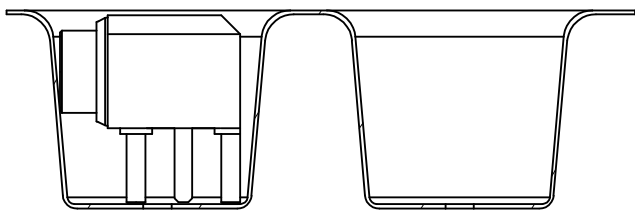
73366-0036	73366-0032 PACKED BY TRAY (54CAV.)
73366-0035	73366-0030 PACKED ONE PER BAG
73366-0034	73366-0031 SMALL TRAY (20 CAV.)
73366-0033	73366-0030 SMALL TRAY (20 CAV.)
73366-0032	TAPE & REEL
73366-0031	TRAY (80 CAV.)
73366-0030	TRAY (80 CAV.)
PART NO.	PACKAGING DESCRIPTION

PS-89675-1830	PRODUCT SPECIFICATION
SPECIFICATION	DESCRIPTION

<p>CHANGE PACKAGE DESCRIPTION PER RF16-E123</p> <p>EC NO: URF2017-0045</p> <p>DRWN: LIN</p> <p>CHKD: DRW</p> <p>APPR: YCHENG</p> <p>2016/07/25</p> <p>2016/08/10</p>	<p>QUALITY SYMBOLS</p> <p>▽=0</p> <p>▽=0</p>	<p>GENERAL TOLERANCES (UNLESS SPECIFIED)</p> <table border="1"> <tr> <th></th> <th>mm</th> <th>INCH</th> </tr> <tr> <td>4 PLACES</td> <td>± .004</td> <td>± .0001</td> </tr> <tr> <td>3 PLACES</td> <td>± .005</td> <td>± .0002</td> </tr> <tr> <td>2 PLACES</td> <td>± .008</td> <td>± .0003</td> </tr> <tr> <td>1 PLACE</td> <td>± .015</td> <td>± .0006</td> </tr> </table> <p>ANGULAR ± 2°</p>		mm	INCH	4 PLACES	± .004	± .0001	3 PLACES	± .005	± .0002	2 PLACES	± .008	± .0003	1 PLACE	± .015	± .0006	<p>DIMENSION STYLE</p> <p>MM/IN</p> <p>DRAWN BY: LYNN</p> <p>DATE: 2000/02/10</p> <p>CHECKED BY: PENNY</p> <p>DATE: 2000/02/10</p> <p>APPROVED BY: MISEN</p> <p>DATE: 2000/02/10</p>	<p>SCALE</p> <p>DESIGN UNITS</p> <p>METRIC</p> <p>THIRD ANGLE PROJECTION</p>	<p>TITLE</p> <p>MCX JACK R/A PCB 50 OHM</p> <p>MCX-J/RA/PCB</p>	<p>MATERIAL NO.</p> <p>SEE NOTES</p>	<p>DOCUMENT NO.</p> <p>SD-73366-003</p>	<p>SHEET NO.</p> <p>1 OF 3</p>
				mm	INCH																		
4 PLACES	± .004	± .0001																					
3 PLACES	± .005	± .0002																					
2 PLACES	± .008	± .0003																					
1 PLACE	± .015	± .0006																					
<p>DRAFT WHERE APPLICABLE MUST REMAIN WITHIN DIMENSIONS</p>	<p>THIS DRAWING CONTAINS INFORMATION THAT IS PROPRIETARY TO MOLEX INCORPORATED AND SHOULD NOT BE USED WITHOUT WRITTEN PERMISSION</p>																						

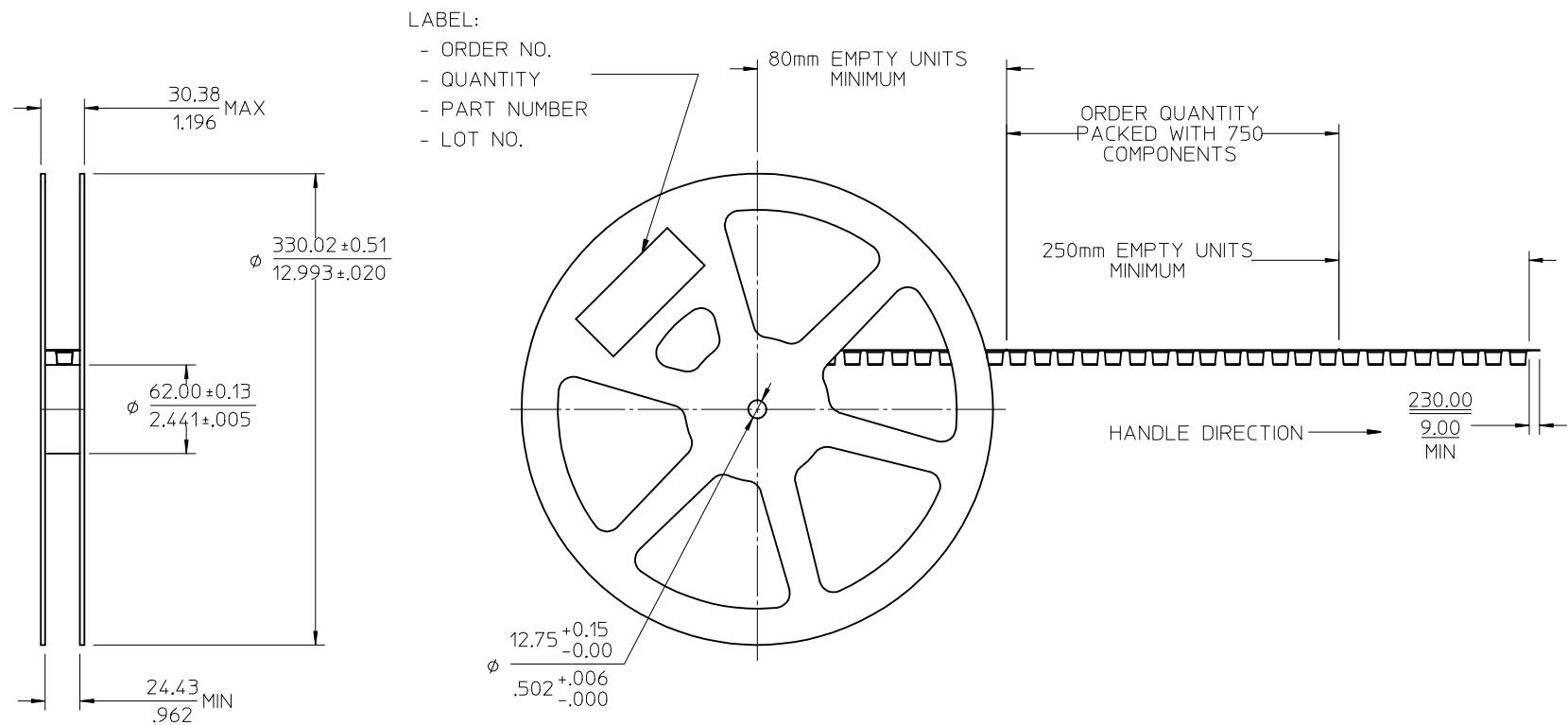


NOTE:
1. 10 PITCHES CUMULATIVE TOLERANCE ±0.20(.008)



SECTION A-A

CHG: SEE SHEET 1 EC NO: URF2017-0045 DRW: INELIN 2016/07/25 CHKD: APPR: YCHENG 2016/08/10 REV: C8	QUALITY SYMBOLS ▽=0 ▽=0	GENERAL TOLERANCES (UNLESS SPECIFIED) mm INCH 4 PLACES ± .--- ± .--- 3 PLACES ± .--- ± .--- 2 PLACES ± .--- ± .--- 1 PLACE ± .--- ± .--- ANGULAR ± 2°	DIMENSION STYLE MM/IN DRAWN BY DATE LYNN 2000/02/10 CHECKED BY DATE PENNY 2000/02/10 APPROVED BY DATE MISEN 2000/02/10	SCALE DESIGN UNITS METRIC THIRD ANGLE PROJECTION	TITLE MCX JACK R/A PCB 50 OHM MCX-J/RA/PCB	MATERIAL NO. SEE SHEET 1	DOCUMENT NO. SD-73366-003	SHEET NO. 2 OF 3		
	DRAFT WHERE APPLICABLE MUST REMAIN WITHIN DIMENSIONS		THIS DRAWING CONTAINS INFORMATION THAT IS PROPRIETARY TO MOLEX INCORPORATED AND SHOULD NOT BE USED WITHOUT WRITTEN PERMISSION		MOLEX MOLEX INCORPORATED					



CHG: SEE SHEET 1 EC NO: URF2017-0045 2016/07/25 CHKD: DRWINELIN APPR: YCHENG 2016/08/10	QUALITY SYMBOLS ▽=0 ▽=0	GENERAL TOLERANCES (UNLESS SPECIFIED)		DIMENSION STYLE MM/IN		SCALE	DESIGN UNITS METRIC	THIRD ANGLE PROJECTION			
		4 PLACES ± --- ± ---	3 PLACES ± --- ± ---	2 PLACES ± --- ± ---	1 PLACE ± --- ± ---	DRAWN BY LYNN	DATE 2000/02/10	TITLE MCX JACK R/A PCB 50 OHM MCX-J/RA/PCB			
		ANGULAR ± 2 °				CHECKED BY PENNY	DATE 2000/02/10	APPROVED BY MISEN			
		DRAFT WHERE APPLICABLE MUST REMAIN WITHIN DIMENSIONS				MATERIAL NO. SEE SHEET 1	DATE 2000/02/10	MOLEX INCORPORATED		DOCUMENT NO. SD-73366-003	SHEET NO. 3 OF 3