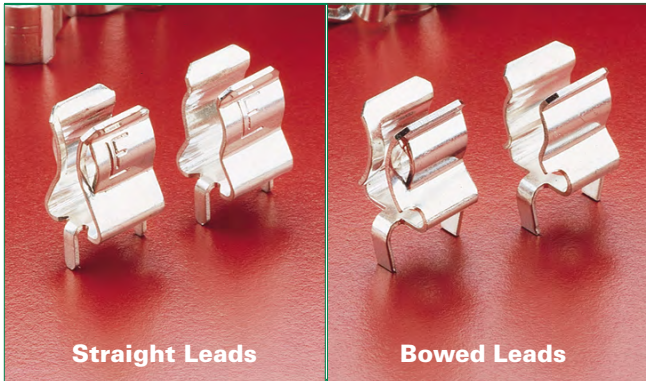


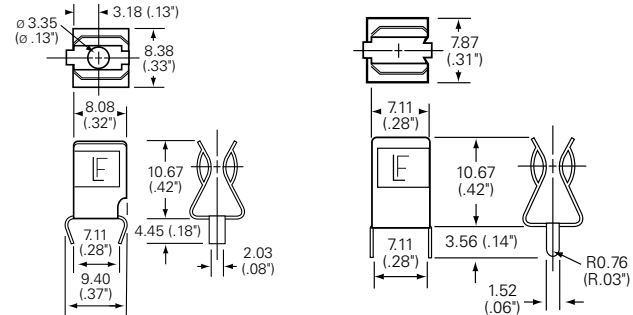
102/122 Series Circuit Board Mount Fuse Clips for 1/4" Diameter Fuses



Product Characteristics

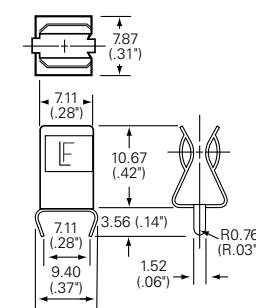
	102 Series	122 Series
Compatible Fuse Size	1/4" Diameter Fuses 312, 313, 314, 326, 505, 506, 508 Series	
Current Level	15 amperes max	30 amperes max

Product Dimensions

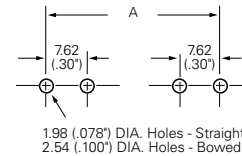


Bowed Leads for 102 series

Straight Leads



Bowed Leads for 122 series



Recommended Mounting Dimensions

Nominal Fuse Length	"A" Length
5/8	.750
3/4	.875
7/8	1.000
1	1.125
1 1/16	1.187
1 1/4	1.347
1 7/16	1.562

Agency Approval

Agency	Agency File Number	
	102 Series	122 Series
	E14721	

Additional Information



Datasheet 102 Series



Resources 102 Series



Samples 102 Series



Datasheet 122 Series



Resources 122 Series



Samples 122 Series

Ordering Information

Ordering PN *	Catalog No.	Clip Material	Plating	Style	Packaging Available
Traditional Clips					
0102 0071	102 071	Spring Brass	Tin-plated	Ear	Z
0102 0074	102 074	Spring Brass	Tin-plated	Earless	Z
0102 0076	102 076	Spring Brass	Tin-plated	Ear	Z
0122 0055	122 055	Copper-Nickel Alloy	Tin-plated	Ear	Z
0122 0083	122 083	Beryllium Copper	Silver-plated	Ear	Z
0122 0087	122 087	Beryllium Copper	Silver-plated	Earless	Z
0122 0088	122 088	Beryllium Copper	Tin-plated	Ear	Z
0122 0093	122 093	Beryllium Copper	Tin-plated	Earless	Z
Bowed Tab Clips					
0102 0078	102 078	Spring Brass	Tin-plated	Earless	H and Z
0102 0079	102 079	Spring Brass	Tin-plated	Ear	Z
0122 055Z-1	122 055	Copper-Nickel Alloy	Tin-plated	Ear	Z
0122 088Z-1	122 088	Beryllium Copper	Tin-plated	Ear	Z

*Add Suffix to the Ordering PN for Packaging:

"H" = std. package 100 pcs per pack

"Z" = for bulk package