

Product **Polzahl: 3, Flanschdose, tauchlöten**  
 Area **Snap-in IP40 Series 709/719**  
 Article number **09 9750 20 03**

Illustration	Scale drawing	Contact Arrangement												
		<table border="1" style="margin-left: 20px;"> <thead> <tr> <th></th> <th>X</th> <th>Y</th> </tr> </thead> <tbody> <tr> <td>1</td> <td>-1,20</td> <td>-0,70</td> </tr> <tr> <td>2</td> <td>0,00</td> <td>1,40</td> </tr> <tr> <td>3</td> <td>1,20</td> <td>-0,70</td> </tr> </tbody> </table>		X	Y	1	-1,20	-0,70	2	0,00	1,40	3	1,20	-0,70
	X	Y												
1	-1,20	-0,70												
2	0,00	1,40												
3	1,20	-0,70												

You can find the item description and assembly instruction on the next page.

## Technical data

### Common values

Connector Design	female panel mount connector
Connector locking system	snap
Termination	dip-solder
Wire gauge (mm)	-
Cable outlet	-
Upper temperature	70 °C
Lower temperature	-25 °C

### Electrical values

Rated voltage	60
Rated impulse voltage	800 V
Pollution degree	1
Overvoltage category	II
Material group	III
Rated current (40°C)	3 A
Volume resistivity	≤ 3 mΩ
EMV compliance	Shielding is not possible
Degree of protection	IP40

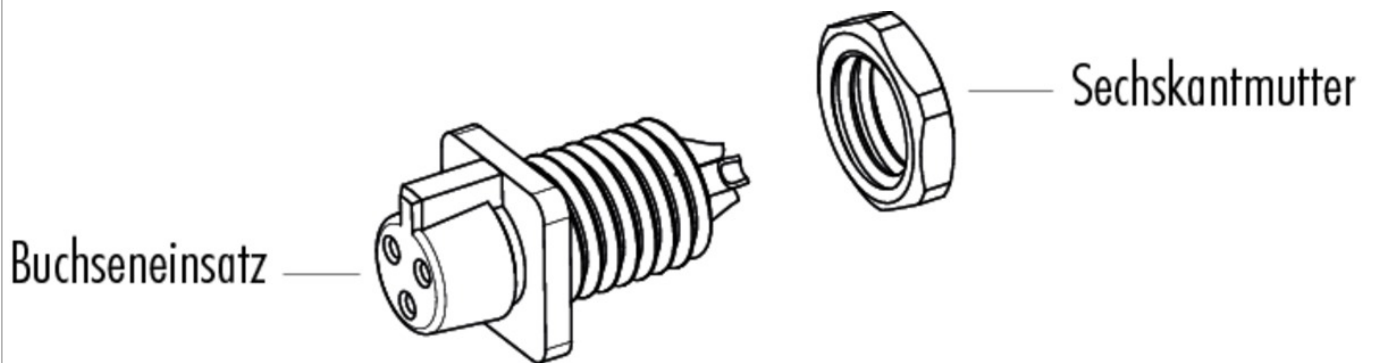
### Material

Material of contact	CuSn (Bronze)
Contact plating	Au (gold)
Material of contact body	PA

Product **Polzahl: 3, Flanschdose, tauchlöten**

Area **Snap-in IP40 Series 709/719**  
Article number **09 9750 20 03**

### Item description



### Installation instructions / Mounting cutout

