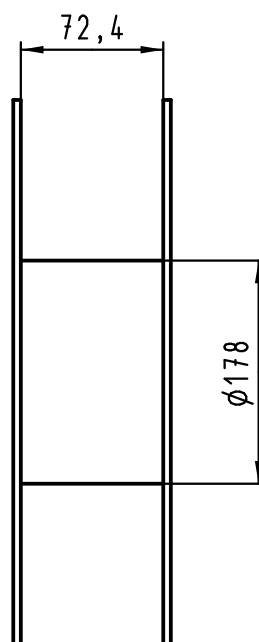
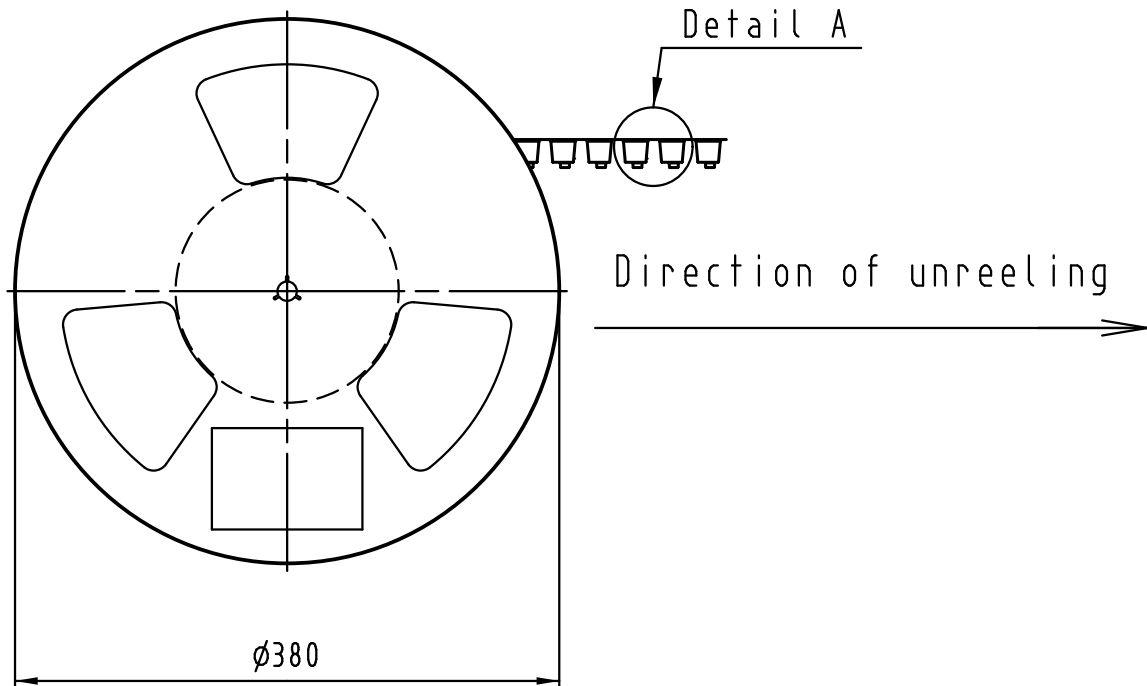
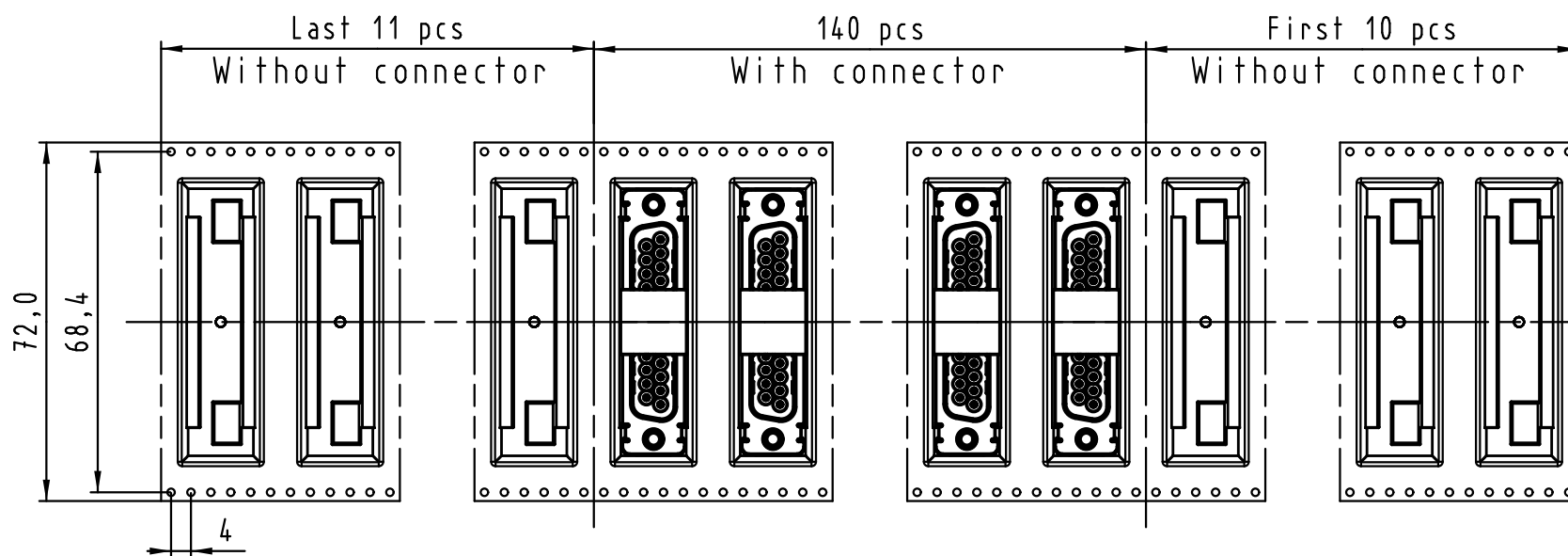


Detail A



See TB 09 55 315 x62x folio 1/2 for connector dimensions and PCB layout

Packaging in accordance with EIA 481-2.

0955 315 3621 741	1	M3	Black insulator	Reel Packaging: 140 connectors
0955 315 3622 741	1	4-40 UNC		
0955 315 6621 741	2	M3		
0955 315 6622 741	2	4-40 UNC		
0955 315 7621 741	3	M3		
0955 315 7622 741	3	4-40 UNC		
Part number	PL	Screw lock	Index designation	

All Dimensions in mm Original Size DIN A 3			Techn. Character.			Free size tolerances		
				Dat.	Name	D-Sub SMT, 25 poles Female, Straight with screw locks and ground pads		
			Detail.	25-Oct-11	Johnson.S			
			Insp.	17-Nov-11	Steven.W			
			Stand.	17-Nov-11	Steven.W			
EC04070	17-Nov-11	Johnson.S	Zhuhai HARTING Limited			TB 09 55 315 x62x		
Mod.	Dat.	Name				Sub. Page 2/2		

All rights reserved