

1 2 3 4 5 6

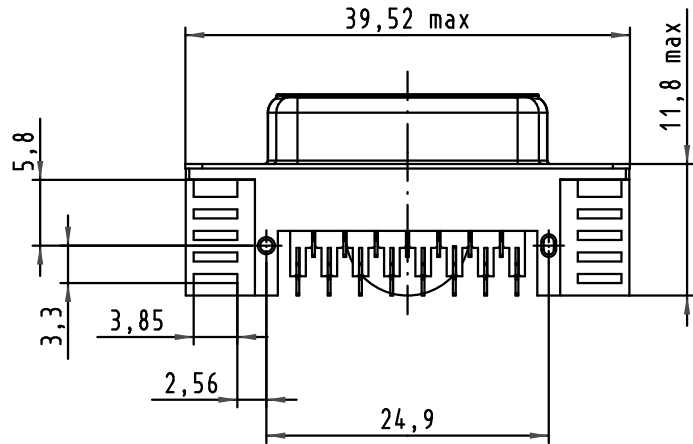
A

B

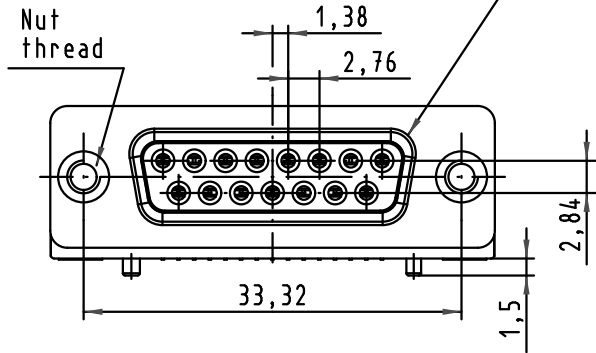
C

D

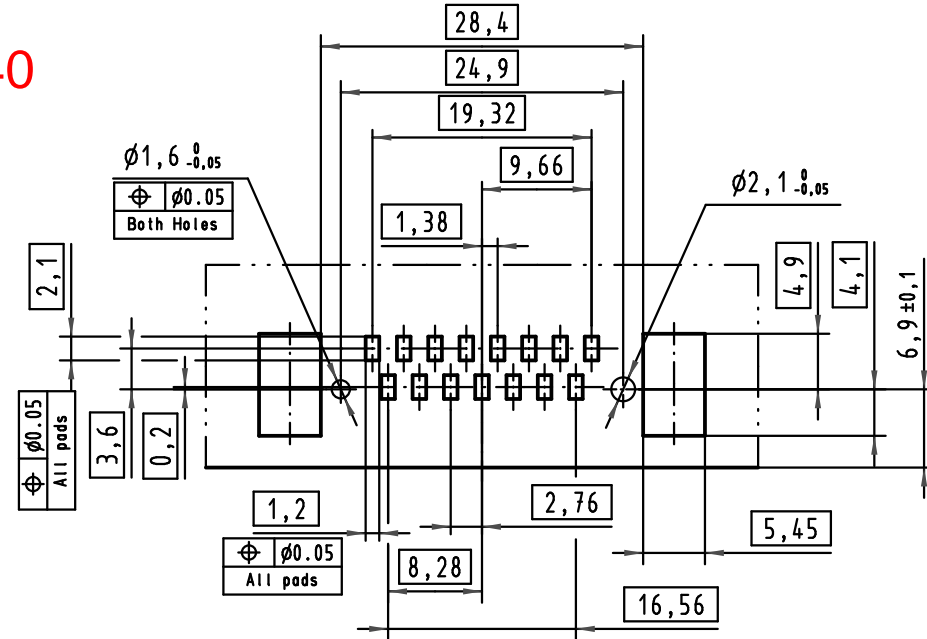
25-07140



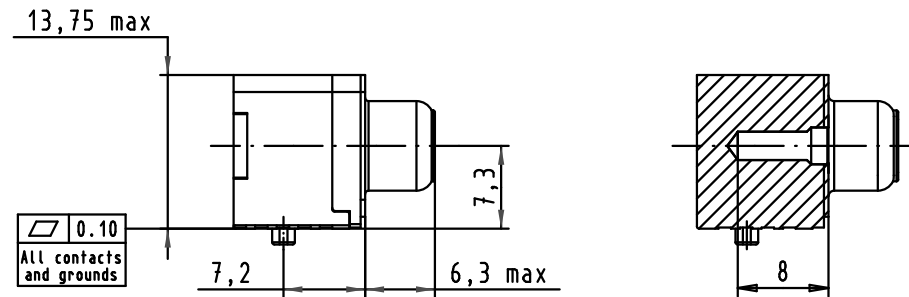
Mating face according to CECC 75301-802



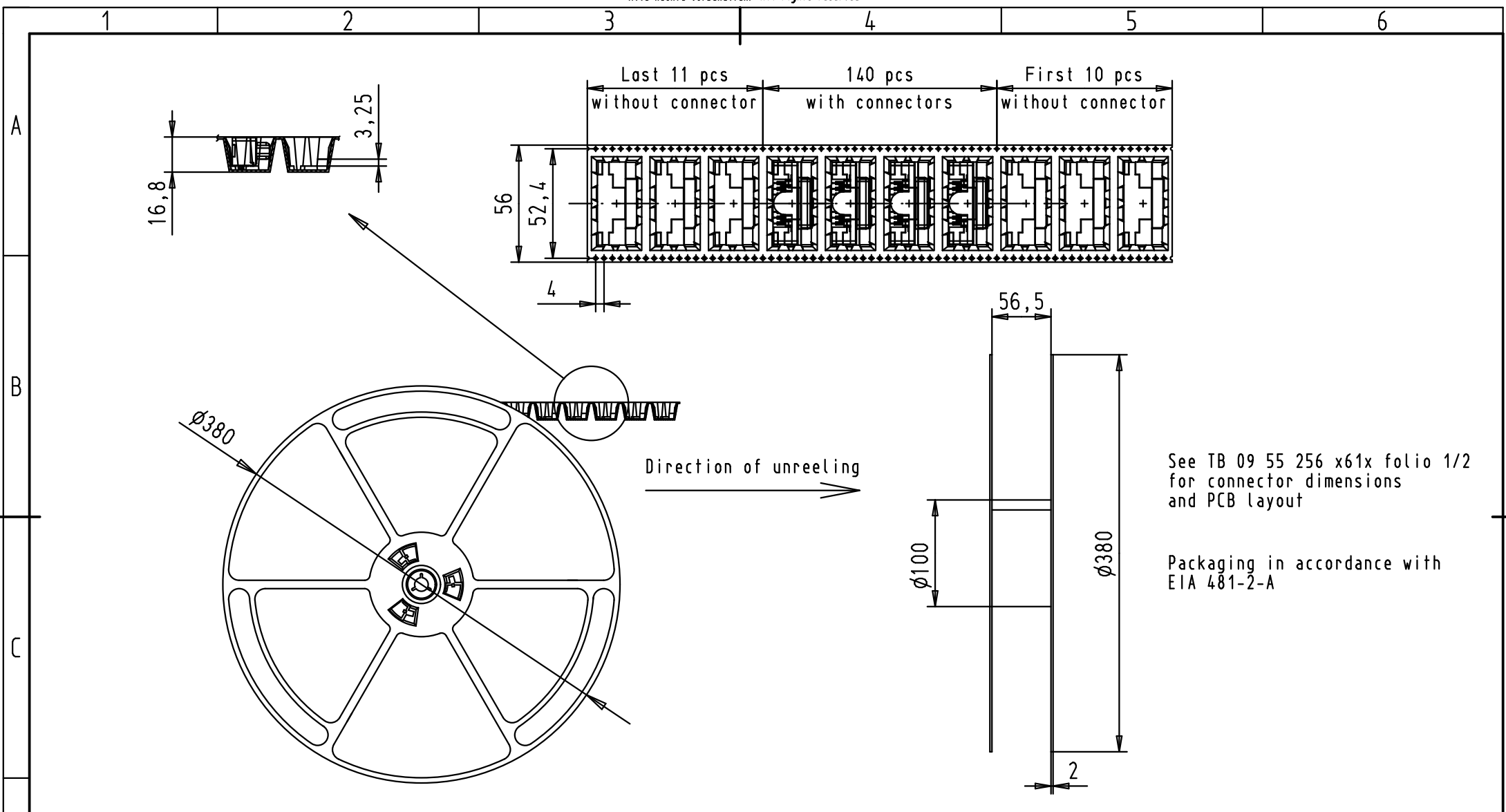
Max. Temperature: 260°C during 10 seconds



PCB Layout, component side (thickness 1,6mm min.)




Part number	PL	Thread	Index designation	Mod.	Dot.	Name	Dot.	Name	D-SUB SMT Standard Female 15p with die casted grounds and nuts		Maßstab/ Scale	
09552563612.741	1	4-40 UNC	Black Insulator	Reel Packaging (140 connectors) see page 2/2			Detail.	29Sep2009	LP	All Dim. in mm Orig. Size DIN A 4	1,5:1	
09552566612.741	2				EC02316	30Aug2010	ED	Insp.				
09552567612.741	3				EC01754	30Apr2010	ED	Stand.				
09552563611.741	1	M3	Black Insulator	Reel Packaging (140 connectors) see page 2/2						HARTING F-95972 Paris	Blatt/ Page 1 / 2	
09552566611.741	2				EC01257	25Jan2010	ED					
09552567611.741	3				EC00385	29/09/2009	LP					
Part number	PL	Thread	Index designation	Mod.	Dot.	Name	HARTING EURL F-95972 Paris		Sub.			



See TB 09 55 256 x61x folio 1/2 for connector dimensions and PCB layout

Packaging in accordance with EIA 481-2-A

D	09552563612.741	1	4-40 UNC	Black Insulator	Reel Packaging (140 connectors)				Dot.	Name	 All Dim. in mm Orig. Size DIN A 4	D-SUB SMT Standard Female 15p with die casted grounds and nuts	Maßstab/ Scale			
	09552566612.741	2							Detail.	17Jul2006				ED		
	09552567612.741	3							Insp.							
	09552563611.741	1	M3					EC02316	30Aug2010	ED				Stand.		
	09552566611.741	2						EC01257	25Jan2010	ED				HARTING EURL F-95972 Paris		
	09552567611.741	3						EC01078	09Nov2009	LP						
Part number	PL	Thread	Index designation	Mod.	Dot.	Name				Sub.	TB 09 55 256 x61x Blatt/ Page 2 / 2					