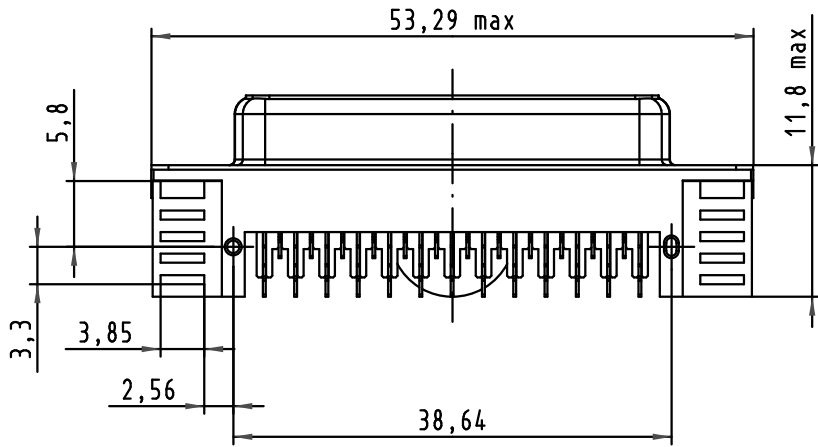
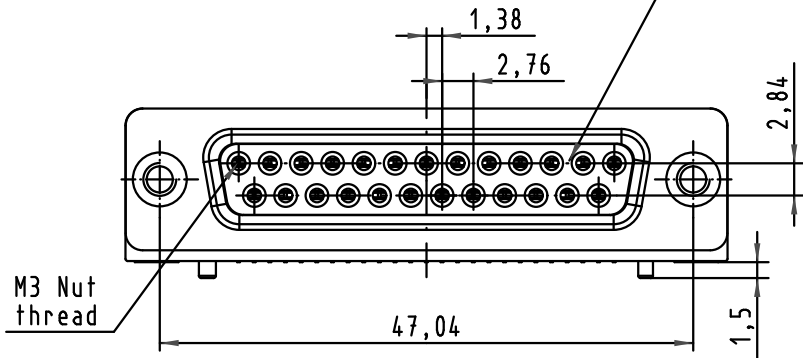


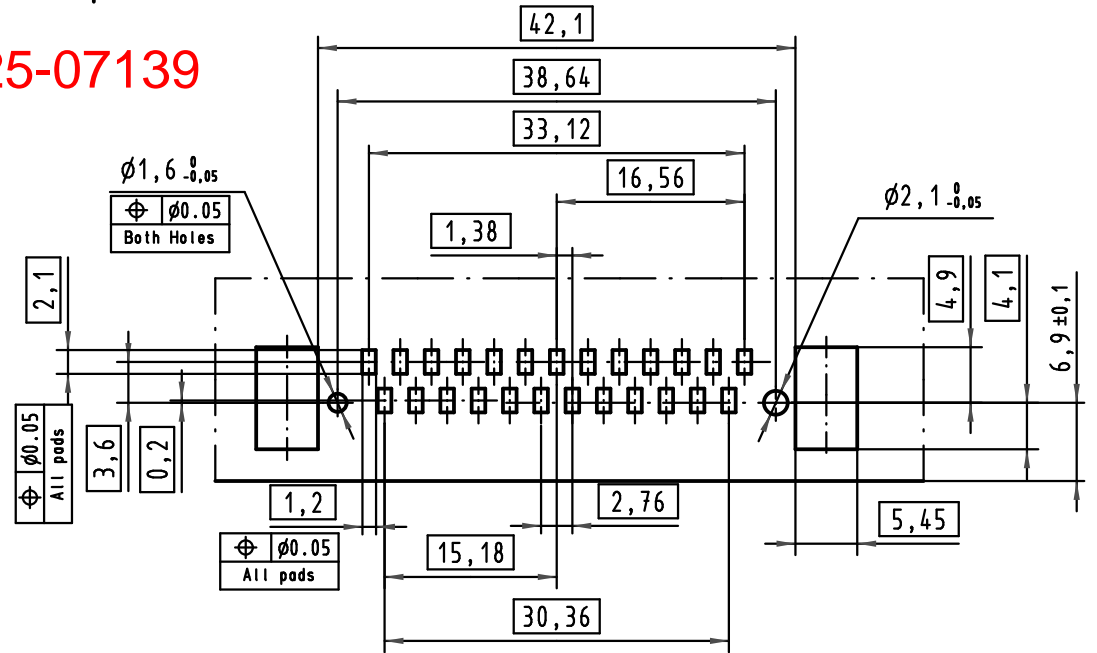
25-07139



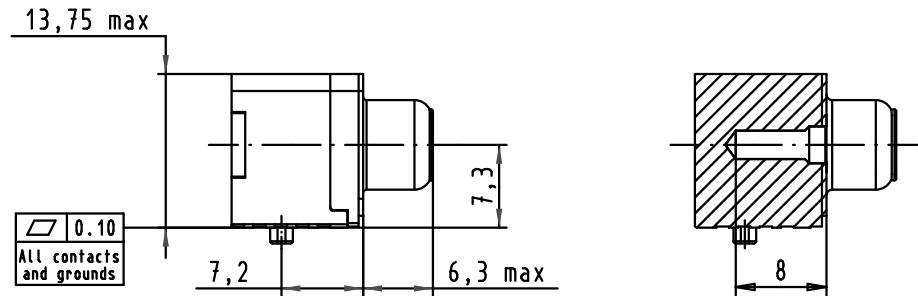
Mating face according to CECC 75301-802



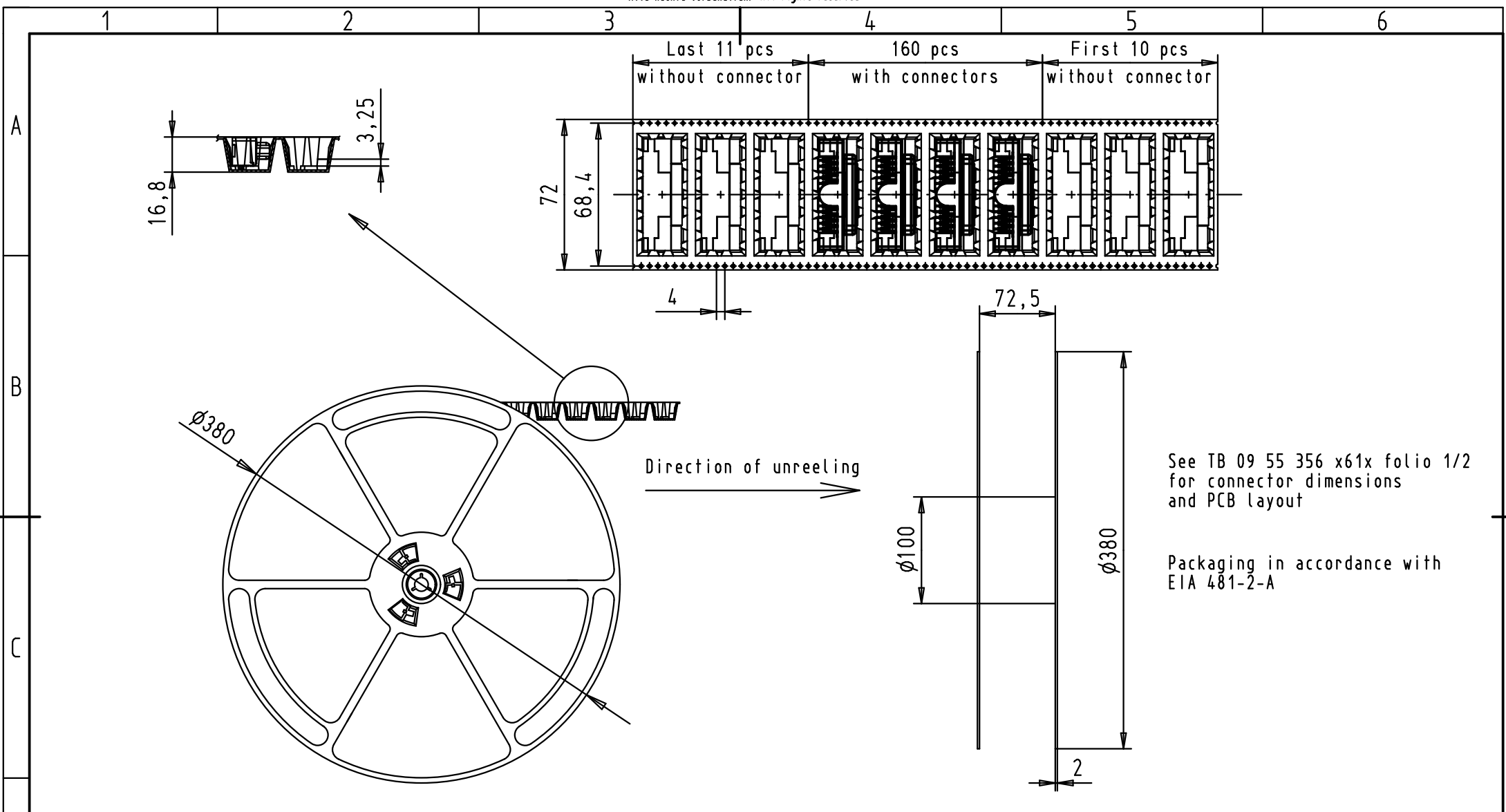
Max. Temperature: 260°C during 10 seconds



PCB Layout, component side (thickness 1,6mm min.)



Part number	PL	Thread	Index designation	Mod.	Dot.	Name	Dot.	Name	D-SUB SMT Standard Female 25p with die casted grounds and nuts		Maßstab/ Scale	
09553563612.741	1	4-40 UNC	Black Insulator	Reel Packaging (140 connectors) see page 2/2			Detail.	30Jun2010	ED	All Dim. in mm Orig. Size DIN A 4	1,5:1	
09553566612.741	2							Insp.				
09553567612.741	3							Stand.				
09553563611.741	1	M3	Black Insulator	Reel Packaging (140 connectors) see page 2/2	EC02316	30Aug2010	ED	HARTING EURL F-95972 Paris		TB 09 55 356 x61x	Blatt/ Page 1 / 2	
09553566611.741	2				EC01953	30Jun2010	ED					
09553567611.741	3											
Part number	PL	Thread	Index designation	Mod.	Dot.	Name	HARTING EURL F-95972 Paris		Sub.			



See TB 09 55 356 x61x folio 1/2 for connector dimensions and PCB layout

Packaging in accordance with EIA 481-2-A

D	09553563612.741	1	4-40 UNC	Black Insulator	Reel Packaging (140 connectors)				Dot.	Name	 All Dim. in mm Orig. Size DIN A 4	D-SUB SMT Standard Female 25p with die casted grounds and nuts	Maßstab/ Scale		
	09553566612.741	2							Detail.	30Jun2010				ED	
	09553567612.741	3							Insp.						
	09553563611.741	1	M3						Stand.					TB 09 55 356 x61x	Blatt/ Page 2 / 2
	09553566611.741	2							EC02316	30Aug2010	ED	HARTING EURL F-95972 Paris			
	09553567611.741	3							EC01953	30Jun2010	ED				
	Part number	PL	Thread		Index designation	Mod.	Dot.	Name				Sub.			