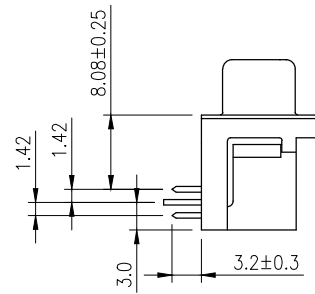
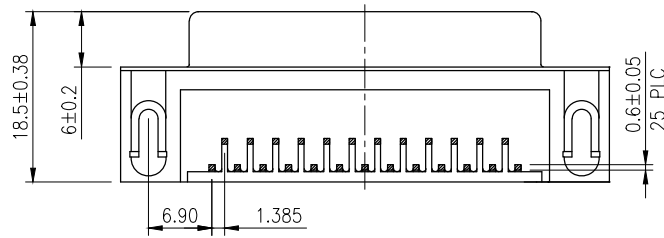
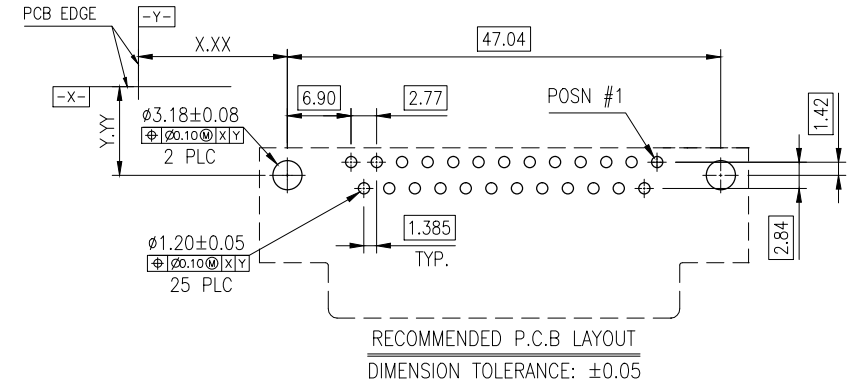
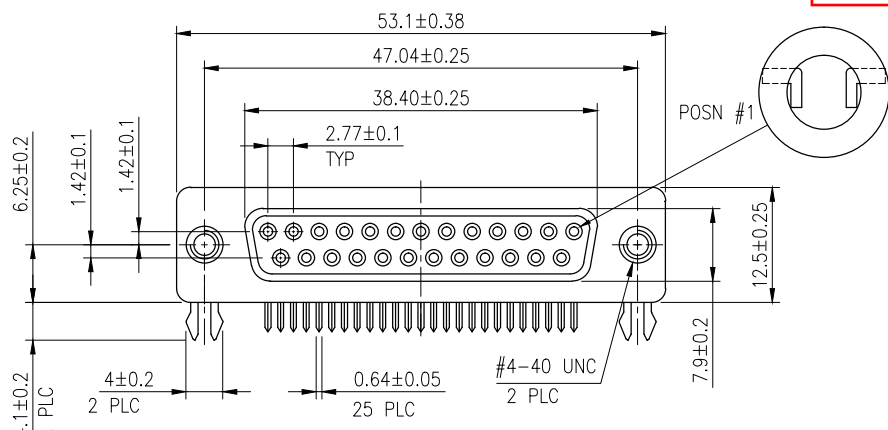


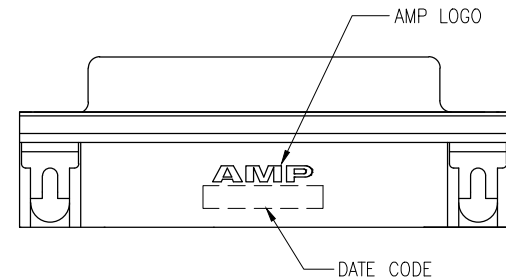
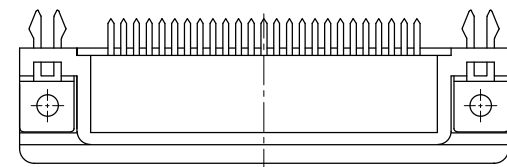
THIS DRAWING IS UNPUBLISHED. RELEASED FOR PUBLICATION  
 COPYRIGHT BY ALL RIGHTS RESERVED.

LOC		DIST		REVISIONS			DATE	DWN	APVD
P	LTR	DESCRIPTION							
	A2	REVISED PER ECR-14-000726			30APR14	S.C	H.L		

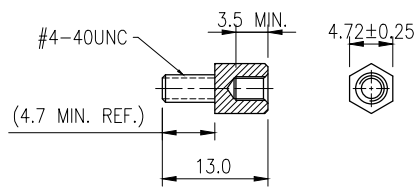
**25-07098**



- NOTES:
- MATERIAL:
    - HOUSING: PBT OR NY9T, UL 94V-0 RATED, COLOR: SEE TABLE
    - CONTACTS: PHOSPHOR BRONZE
    - SHELL: SPCC
    - BOARDLOCKS: BRASS
    - RIVET: BRASS
  - FINISH:
    - CONTACT:
      - GOLD PLATING ON CONTACT AREA. (SEE TABLE)
      - 100µ" MIN. MATTE TIN PLATING ON SOLDER TAIL AREA,
      - 50µ" MIN. NICKEL UNDERPLATED OVERALL,
    - BOARDLOCK:
      - 100µ" MIN MATTE TIN PLATING
      - 50µ" MIN NICKEL UNDERPLATED OVERALL,
    - SHELL: NICKEL PLATING OVERALL
    - RIVET: NICKEL PLATING OVERALL
  - RECOMMENDED PCB THICKNESS: 1.6 mm
  - WAVE SOLDER CAPABLE TO 265°C, PER TE CONNECTIVITY SPEC. 109-202, CONDITION B.
  - THREADED INSERTS MUST WITHSTAND 6 IN-LBS TORQUE.



OBSOLETE	BURGUNDY 235C	NY9T	15µ"	2-	-6
			G/F	2-	-5
BLACK	NY9T	15µ"	2-	-1	
		G/F	2-	-0	
	PBT	15µ"	1-	-2	
		G/F	1-	-1	
			1734350-1		

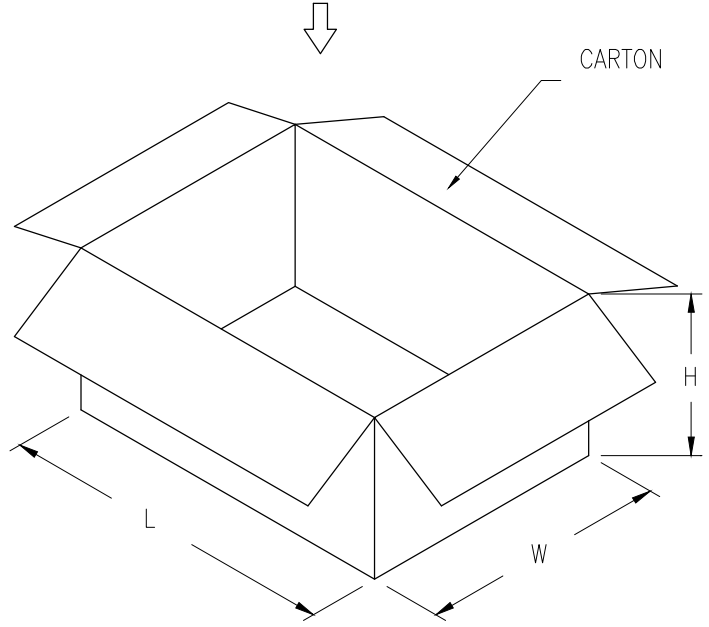
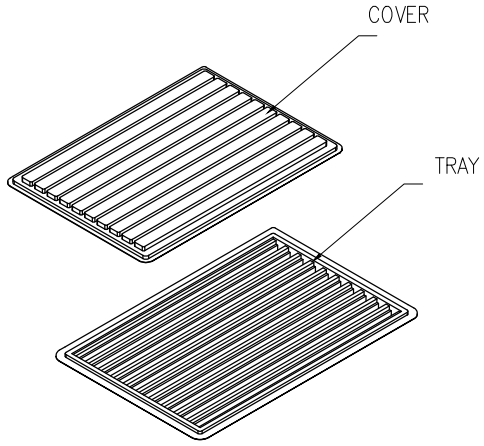
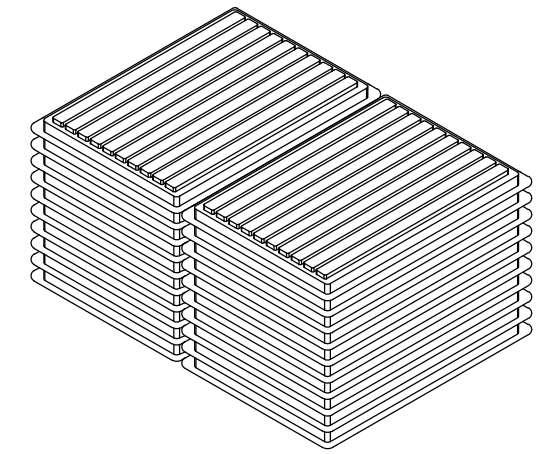


THIS PRODUCT EQUIPPED WITH NO SCREW  
 RECOMMENDED OUTSOURCING SCREW TYPE

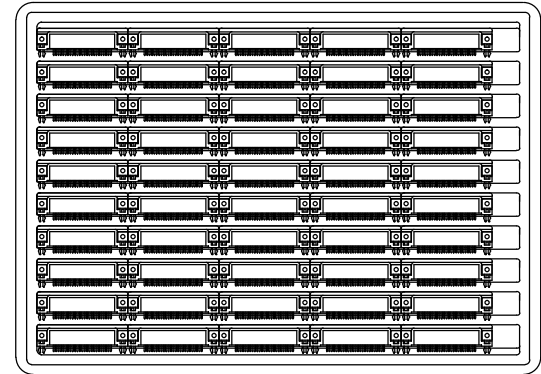
THIS DRAWING IS A CONTROLLED DOCUMENT.		DWN J. LEE 09MAR2007	TE Connectivity	
DIMENSIONS: MM		CHK S. HOU 09MAR2007		
TOLERANCES UNLESS OTHERWISE SPECIFIED:		APVD W.J. KE 09MAR2007	NAME AMPLIMITE 8.08mm[0.318in] SERIES, R/A, RCPT, 25 POS	
0 PLC ± -		PRODUCT SPEC 108-57541	QUALIFICATION TEST REPORT	
1 PLC ± 0.38		501-57623	RESTRICTED TO	
2 PLC ± 0.25		WEIGHT 7.0 GRAMS	SIZE A3	CAGE CODE 00779
3 PLC ± 0.15		CUSTOMER DRAWING	DRAWING NO C-1734350	SCALE
4 PLC ± -			SHEET 1 of 2	REV A2
ANGLES ± -				
MATERIAL SEE NOTE				
FINISH SEE NOTE				

THIS DRAWING IS UNPUBLISHED. RELEASED FOR PUBLICATION  
 © COPYRIGHT BY ALL RIGHTS RESERVED.

LOC		DIST		REVISIONS					
DW				P	LTR	DESCRIPTION	DATE	DWN	APVD
SEE SHEET 1.									



- NOTES:
- MATERIAL:
    - 1.1 TRAY: PVC
    - 1.2 SHIPPING CARTON: CORRUGATED FIBERBOARD
  - DIMENSION:
    - 2.1 TRAY: L=306, W=217, H=15
    - 2.2 SHIPPING CARTON: L=440, W=321, H=210
  - QUANTITY:
    - 3.1 PRIMARY PACKING: 50 PCS/TRAY
    - 3.2 THIRD PACKING: 20 TRAY/CARTON(1,000PCS)
  - WEIGHT:
    - 4.1 NET WEIGHT: 7.0 Kg
    - 4.2 GROSS WEIGHT: 8.0 Kg



THIS DRAWING IS A CONTROLLED DOCUMENT.		DWN																
DIMENSIONS: MM		CHK	NAME															
TOLERANCES UNLESS OTHERWISE SPECIFIED:		APVD	AMPLIMITE 8.08mm[0.318in] SERIES, R/A, RCPT, 25 POS															
<table border="1"> <tr><td>0 PLC</td><td>± -</td></tr> <tr><td>1 PLC</td><td>± -</td></tr> <tr><td>2 PLC</td><td>± -</td></tr> <tr><td>3 PLC</td><td>± -</td></tr> <tr><td>4 PLC</td><td>± -</td></tr> <tr><td>ANGLES</td><td>± -</td></tr> </table>		0 PLC	± -	1 PLC	± -	2 PLC	± -	3 PLC	± -	4 PLC	± -	ANGLES	± -	PRODUCT SPEC	SIZE	CAGE CODE	DRAWING NO	RESTRICTED TO
0 PLC	± -																	
1 PLC	± -																	
2 PLC	± -																	
3 PLC	± -																	
4 PLC	± -																	
ANGLES	± -																	
MATERIAL		APPLICATION SPEC	A3	00779	C-1734350													
FINISH		WEIGHT	CUSTOMER DRAWING		SCALE	SHEET 2 of 2												
					REV	A2												