

25-07014

61082-AA B C D E G FF

AA	POSITION
02	2X10
04	2X20
06	2X30
08	2X40
10	2X50
12	2X60
14	2X70
16	2X80
18	2X90
20	2X100

NOTE 10

B		FOR PLUG, SEE DWG. NO. 61083			
COMBINATION OF MATED HEIGHT	Plug 1	Plug 2	Plug 3	Plug 4	
Recep 1					
Recep 2					
Recep 3					
Recep 4					

G	DATE CODE
/	NOT PRINT DATE CODE
P	PRINT DATE CODE

E	PACKAGING
0	TUBE WITHOUT METAL CAP
2	T&R WITH METAL CAP
9	TUBE WITH METAL CAP
6	T&R WITHOUT METAL CAP (WITH KAPTON TAPE)

NOTE 10
NOTE 10

D	POLARIZATION PEG	HOLD DOWN
0	YES	NO
2	NO	NO

C	PLATING ON CONTACT AREA	FF
0	GOLD 0.2um MIN / TIN LEAD NICKEL UNDERPLATE OVERALL 1.27um MIN	NONE
1	GOLD FLASH (0.1um MIN) OVER PALLADIUM-NICKEL 0.76um MIN / TIN LEAD NICKEL UNDERPLATE OVERALL 1.27um MIN	NONE
4	GOLD 0.2um MIN / PURE TIN 2um MIN (LEAD FREE) NICKEL UNDERPLATE OVERALL 1.27um MIN	LF
5	GOLD 0.38um MIN / PURE TIN 2um MIN (LEAD FREE) NICKEL UNDERPLATE OVERALL 1.27um MIN	LF
6	GOLD FLASH (0.1um MIN) OVER PALLADIUM-NICKEL 0.76um MIN / PURE TIN 2um MIN (LEAD FREE) NICKEL UNDERPLATE OVERALL 1.27um MIN	LF

NOTE:

- MATERIAL:
HOUSING: G.F. LCP, UL94-V0
TERMINAL: BERYLLIUM COPPER
- PLATING: AS SHOWN IN TABLE.
- SEE GS-12-547 FOR PRODUCT SPEC.
- PACKAGING OPTION 2: NOT ALL SIZES ARE AVAILABLE. CHECK WITH FACTORY.
- THIS PRODUCT MEETS THE EUROPEAN UNION DIRECTIVES AND OTHER COUNTRY REGULATIONS AS DESCRIBED IN GS-22-008.
- THE HOUSING WILL WITHSTAND EXPOSURE UP TO 260~ PEAK TEMPERATURE FOR 30 SECONDS IN A CONVECTION, INFRA-RED OR VAPOR PHASE REFLOW OVEN.
- PLATING OPTION "4" IS LEADFREE ALTERNATIVE FOR OPTION "0", AND OPTION "6" IS LEADFREE ALTERNATIVE FOR OPTION "1".
- HIGH PRECISION COPLANARITY IS AVAILABLE FOR 2X80 TO 2X100 POS, ALL HEIGHTS. PLS REFER TO PRINT 10069525.
- THE P/N 61082-***** OR 61082-*****LF NOT PRINT DATE CODE.
THE P/N 61082-*****P OR 61082-*****PLF NEED PRINT DATE CODE.
- 2X10 POSITION ONLY APPLY TO RECEPTACLE 4.
PACKAGING WITH METAL CAP DOES NOT APPLY TO 2X10 POSITION.

spec ref	dr	Matthew Cheong	2009/06/09	projection	MM	size	A3	scale	3:1
tolerance std	eng	Guo-Min Sun	2014/11/04		← →	ecn no	ELX-N-15825-1	rel level	Released
ISO 406 ISO 1101	chr	-	-						
surface	linear	0.X	±0.20		title	BERGSTAK 0.8MM	dwg no	61082	rev
		0.XX	±0.15						
ISO 1302	angular	0°	±2°	www.fci.com	cat. no.	-	Product - Customer Drw	sheet 1 of 7	



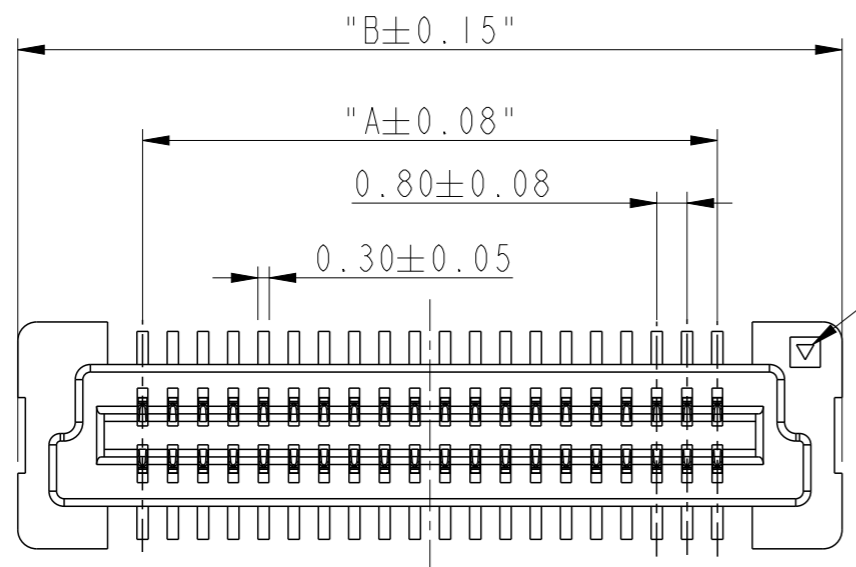
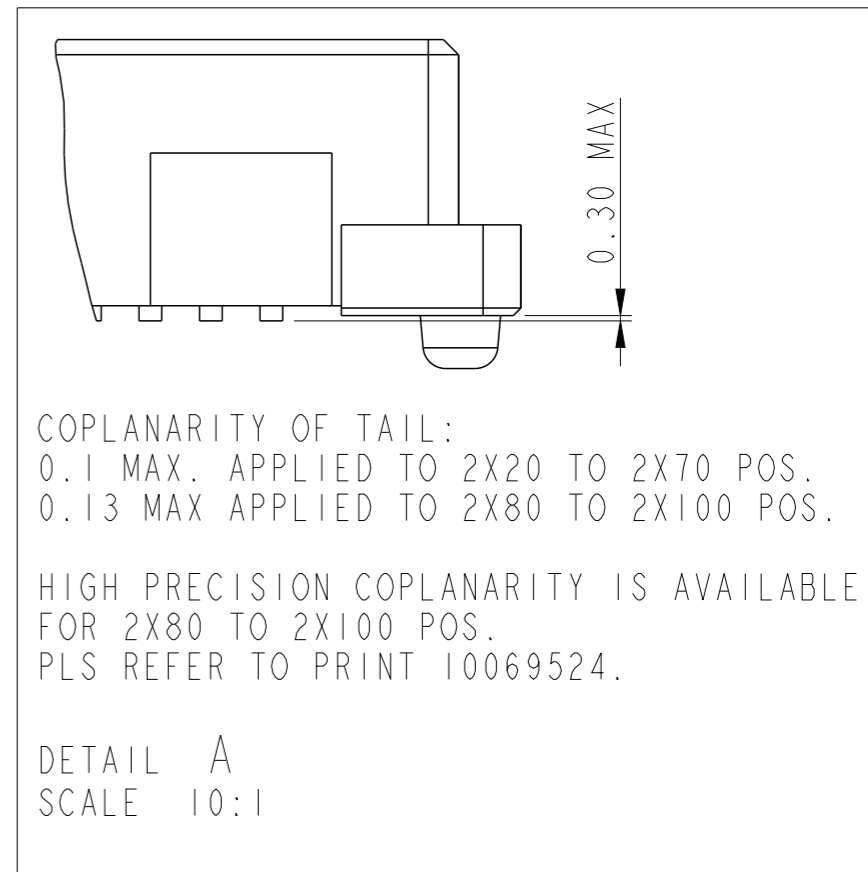
Copyright FCI.

PRODUCT NO.	NUMBER OF POSITIONS	DIMENSION		
		A	B	C
61082-041***	2X20	15.2	21.8	20.2
61082-061***	2X30	23.2	29.8	28.2
61082-081***	2X40	31.2	37.8	36.2
61082-101***	2X50	39.2	45.8	44.2
61082-121***	2X60	47.2	53.8	52.2
61082-141***	2X70	55.2	61.8	60.2
61082-161***	2X80	63.2	69.8	68.2
61082-181***	2X90	71.2	77.8	76.2
61082-201***	2X100	79.2	85.8	84.2

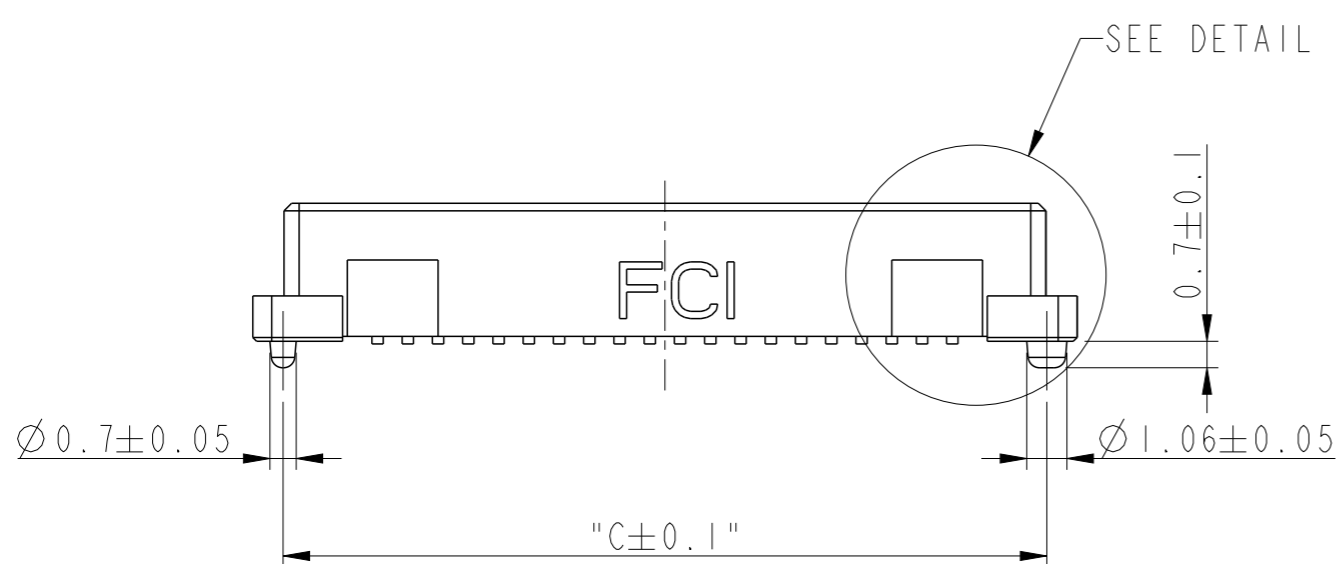
DATE CODE: XXXXXX

DAY(01~31)
MONTH(01~12)
YEAR(00~99)

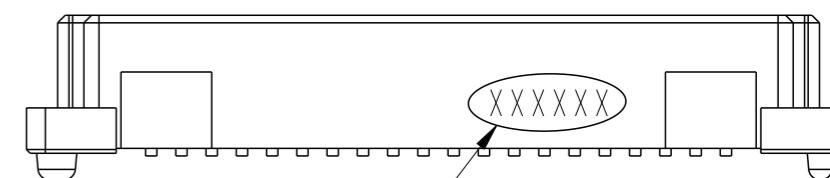
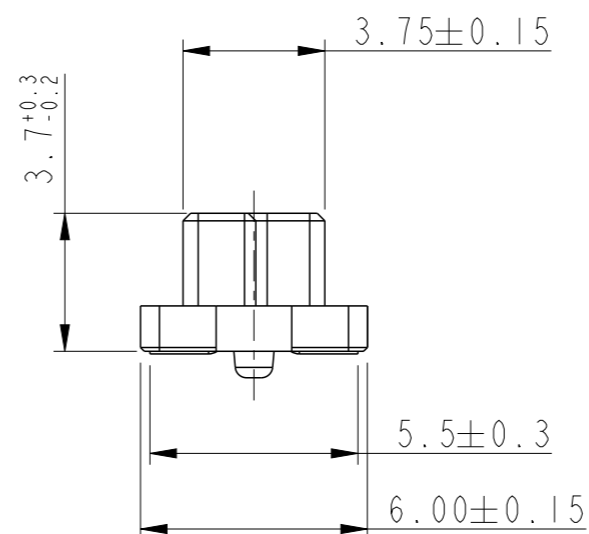
DETAIL F



POSITION #1 INDICATOR



SEE DETAIL A

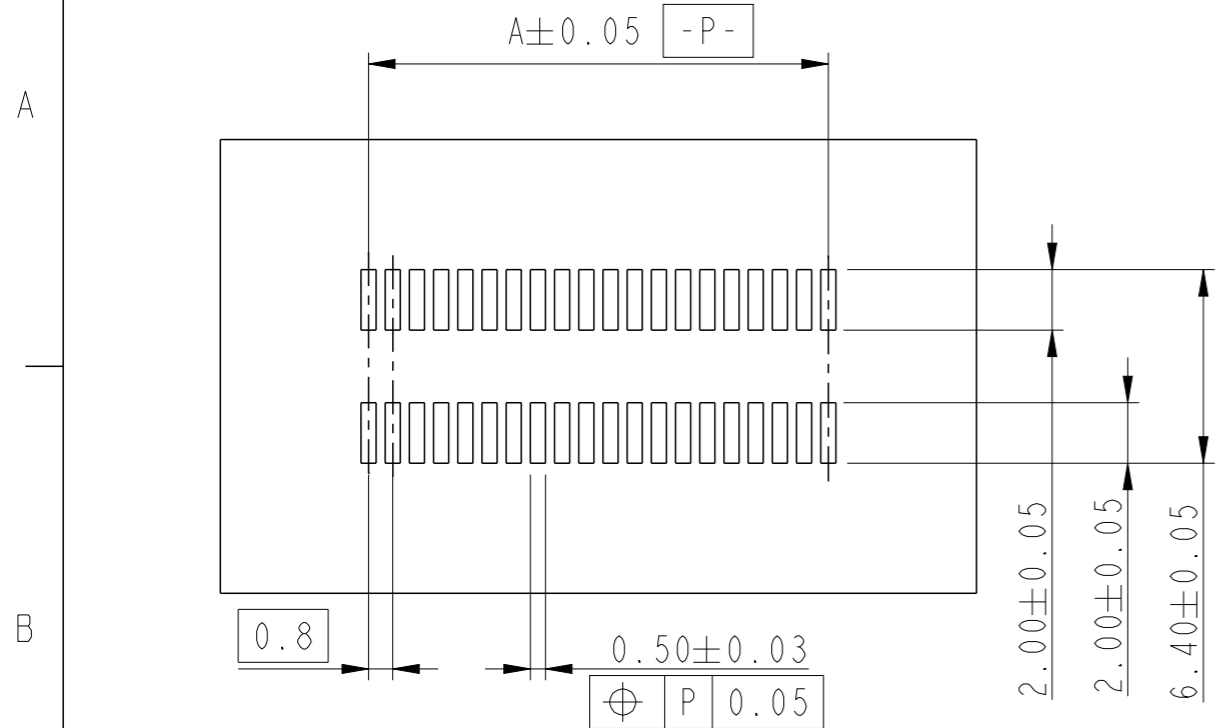


SEE DETAIL F

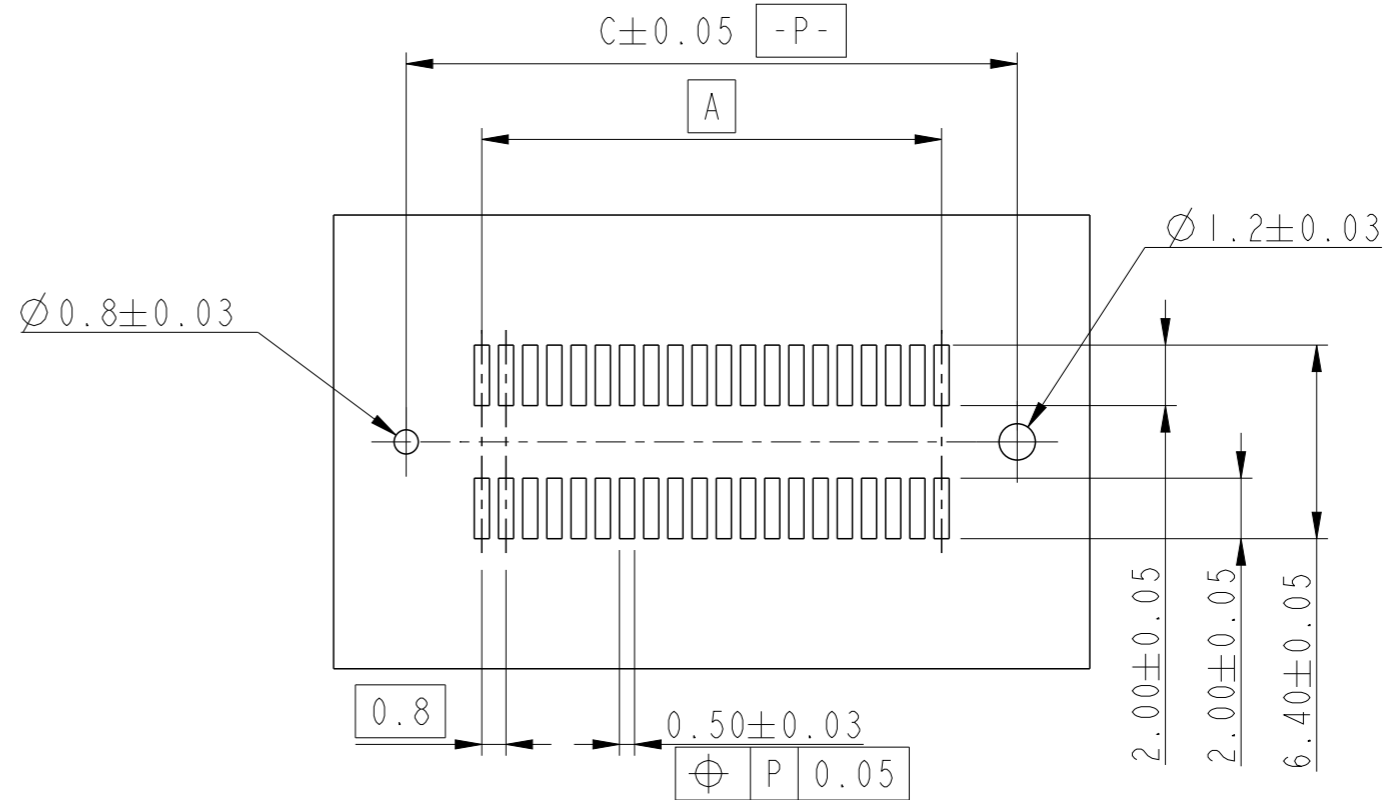
RECEPTACLE I

dr	Matthew Cheong	2009/06/09	projection	MM	size	A3	scale	3:1			
eng	Guo-Min Sun	2014/11/04			ecn no ELX-N-15825-1						
chr	-	-			rel level Released						
appr	Feagle Pan	2014/11/05	product family		-						
		title			BERGSTAK 0.8MM		dwg no		61082	rev	AB
www.fci.com		cat. no.		-		Product - Customer Drw		sheet 2 of 7			

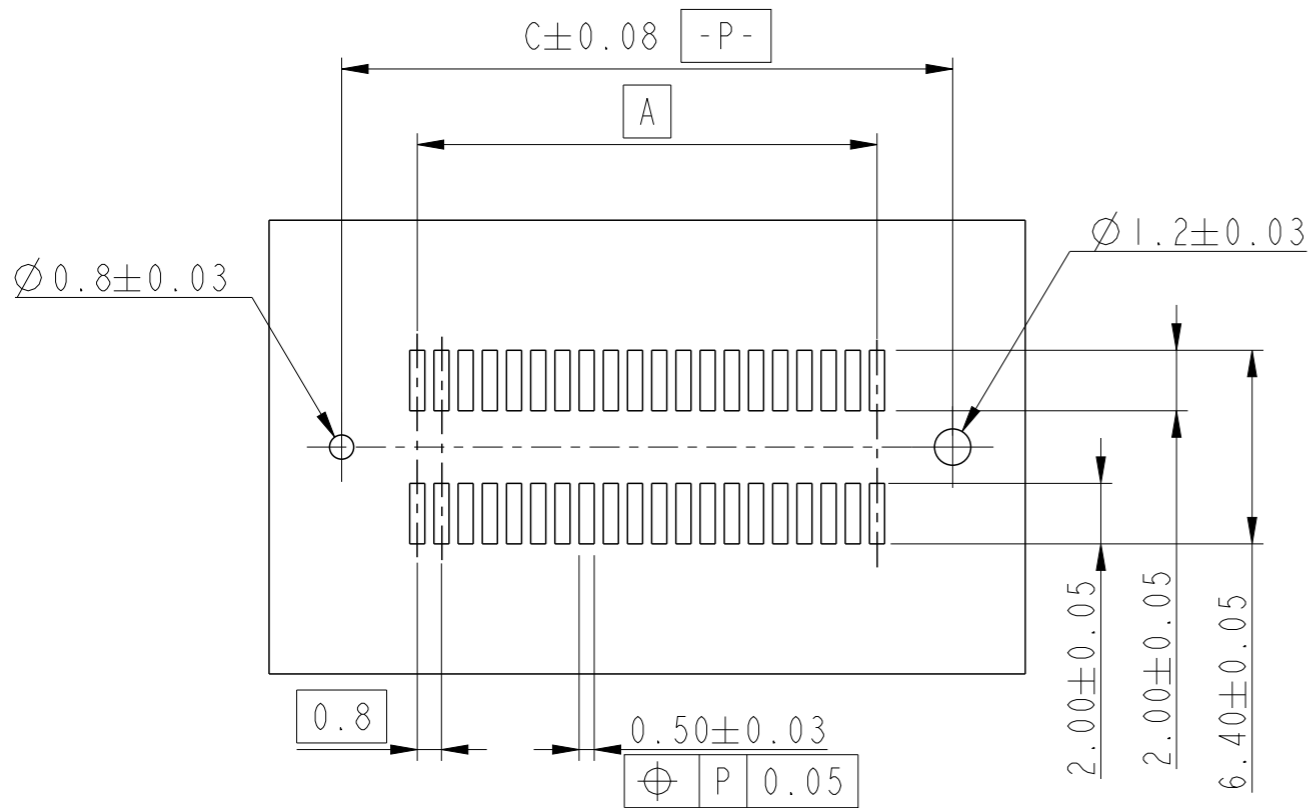
RECEPTACLE 1



RECOMMENDED PCB LAYOUT WITHOUT PEGS AND HOLDDOWN



RECOMMENDED PCB LAYOUT WITH PEGS
FOR NO. OF POSITION 2X20, 2X30, 2X40, 2X50, 2X60



RECOMMENDED PCB LAYOUT WITH PEGS
FOR NO. OF POSITION 2X70, 2X80, 2X90, 2X100

dr	Matthew Cheong	2009/06/09	projection	MM	size	A3	scale	3:1
eng	Guo-Min Sun	2014/11/04			ecn no			
chr	-	-			ELX-N-15825-1			
appr	Feagle Pan	2014/11/05	product family		-		rel level	
			title BERGSTAK 0.8MM RECEPTACLE ASS'Y			dwg no 61082		rev AB
www.fci.com			cat. no.		-		Product - Customer Drw	
			sheet 3 of 7					

PRODUCT NO.	NUMBER OF POSITIONS	DIMENSION		
		A	B	C
61082-042***	2X20	15.2	21.8	20.2
61082-062***	2X30	23.2	29.8	28.2
61082-082***	2X40	31.2	37.8	36.2
61082-102***	2X50	39.2	45.8	44.2
61082-122***	2X60	47.2	53.8	52.2
61082-142***	2X70	55.2	61.8	60.2
61082-162***	2X80	63.2	69.8	68.2
61082-182***	2X90	71.2	77.8	76.2
61082-202***	2X100	79.2	85.8	84.2

DATE CODE: XXXXXX

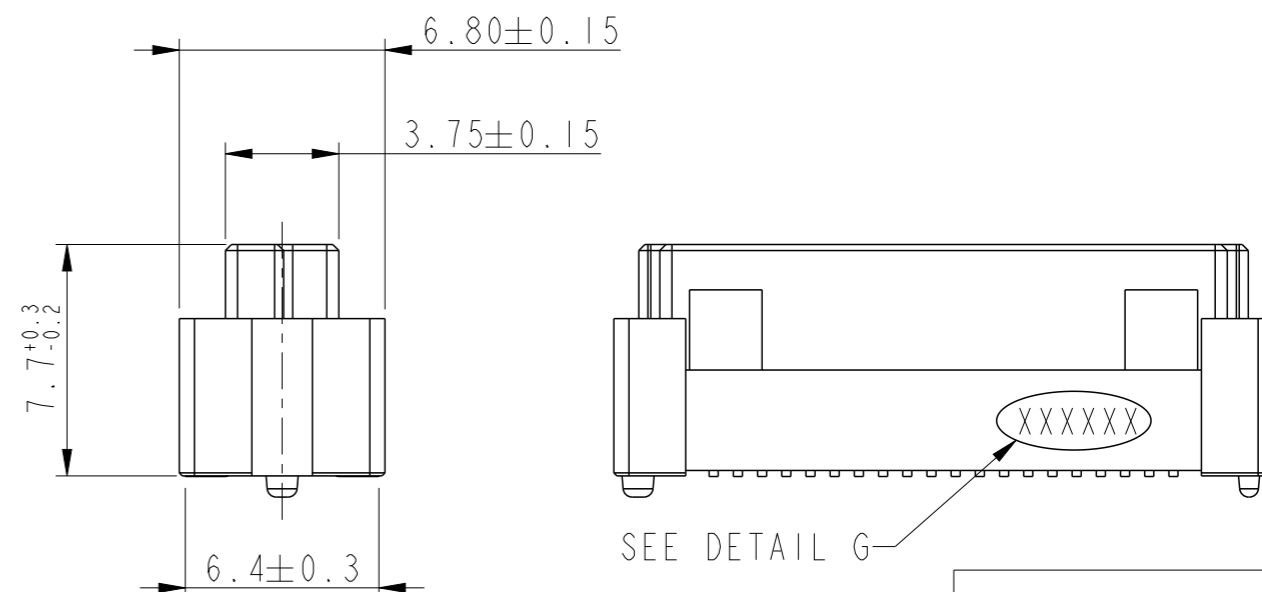
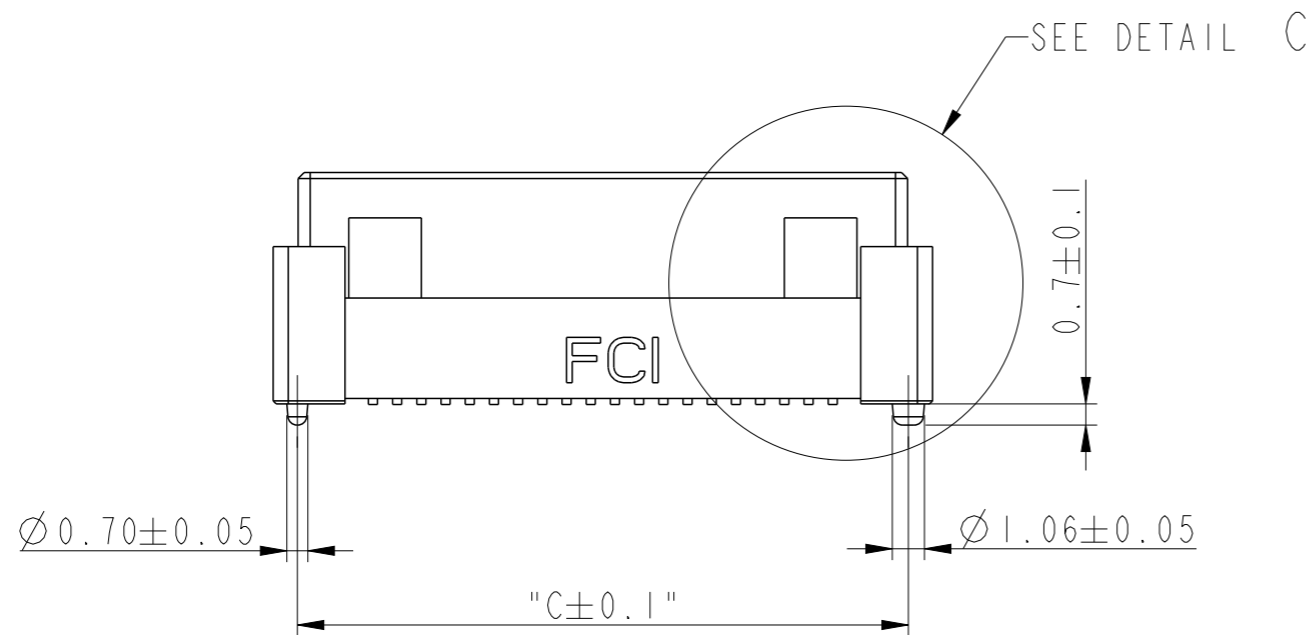
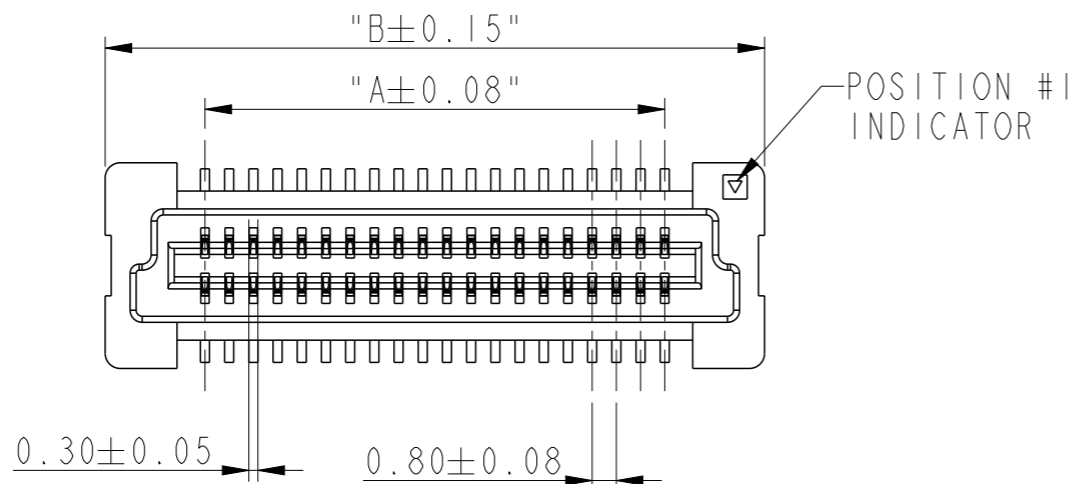
DAY(01~31)
MONTH(01~12)
YEAR(00~99)

DETAIL G

COPLANARITY OF TAIL
0.1 MAX APPLIED TO 2X20 TO 2X70 POS.
0.13 MAX APPLIED TO 2X80 TO 2X100 POS.

HIGH PRECISION COPLANARITY IS AVAILABLE FOR 2X80 TO 2X100 POS.
PLS REFER TO PRINT 10069524.

DETAIL C
SCALE 8:1



RECEPTACLE 2

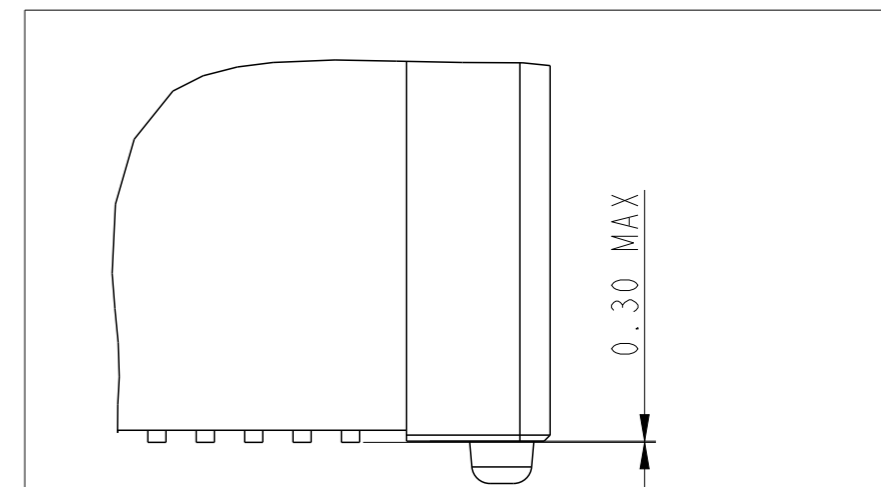
dr	Matthew Cheong	2009/06/09	projection	MM	size	A3	scale	3:1
eng	Guo-Min Sun	2014/11/04			ecn no ELX-N-15825-1			
chr	-	-			rel level Released			
appr	Feagle Pan	2014/11/05	product family		-			
			title		BERGSTAK 0.8MM		rev	
www.fci.com			cat. no.		-		Product - Customer Drw	
			dwg no		61082		sheet 4 of 7	
			AB					

PRODUCT NO.	NUMBER OF POSITIONS	DIMENSION		
		A	B	C
61082-043***	2X20	15.2	21.8	20.2
61082-063***	2X30	23.2	29.8	28.2
61082-083***	2X40	31.2	37.8	36.2
61082-103***	2X50	39.2	45.8	44.2
61082-123***	2X60	47.2	53.8	52.2
61082-143***	2X70	55.2	61.8	60.2
61082-163***	2X80	63.2	69.8	68.2
61082-183***	2X90	71.2	77.8	76.2
61082-203***	2X100	79.2	85.8	84.2

DATE CODE: XXXXXX

DAY(01~31)
MONTH(01~12)
YEAR(00~99)

DETAIL H



COPLANARITY OF TAIL
0.1 MAX APPLIED TO 2X20 TO 2X70 POS
0.13 MAX APPLIED TO 2X80 TO 2X100 POS.

HIGH PRECISION COPLANARITY IS AVAILABLE FOR 2X80 TO 2X100 POS.
PLS REFER TO PRINT 10069524.

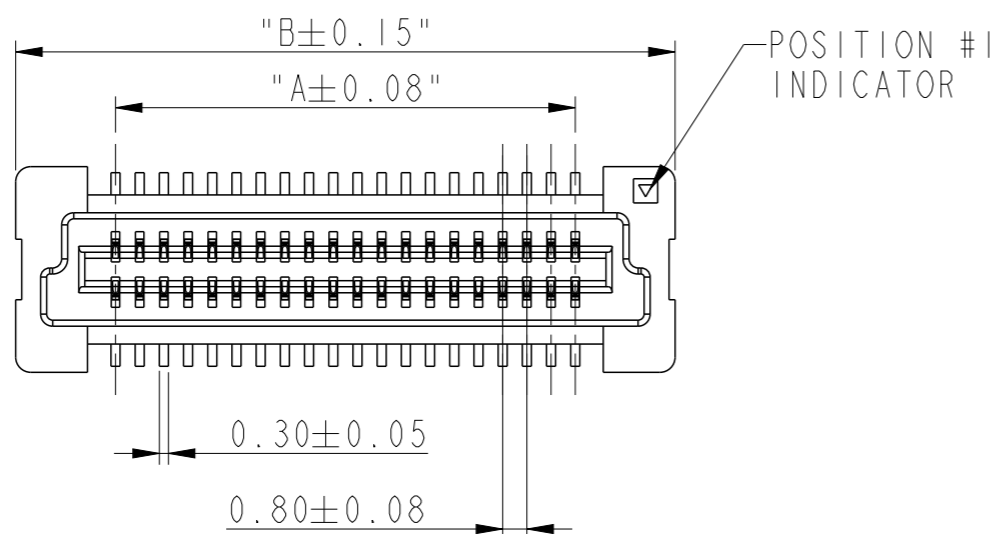
DETAIL E
SCALE 8:1

A

A

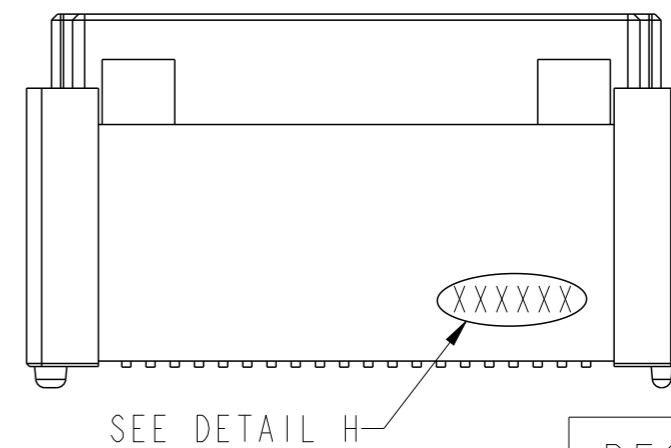
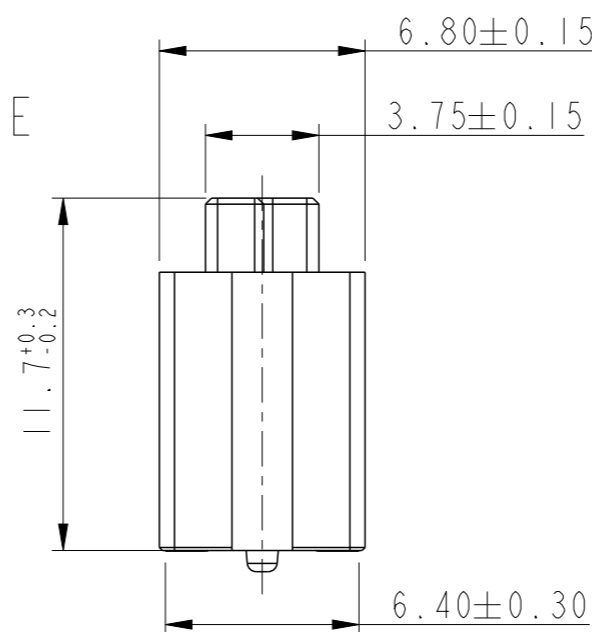
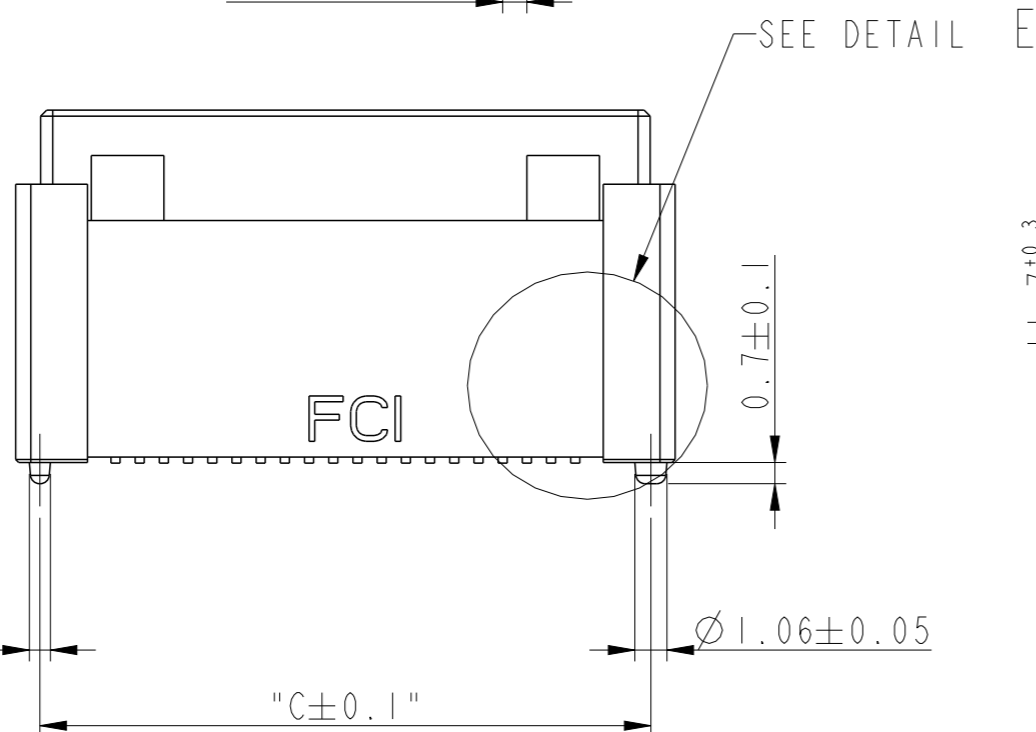
B

B



C

C



RECEPTACLE 3

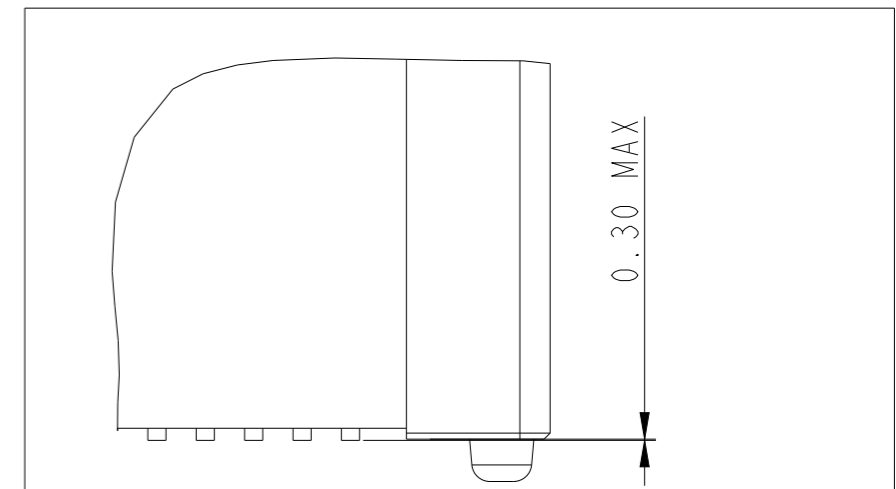
dr	Matthew Cheong	2009/06/09	projection	MM	size	A3	scale	3:1
eng	Guo-Min Sun	2014/11/04			ecn no ELX-N-15825-1			
chr	-	-			rel level Released			
appr	Feagle Pan	2014/11/05	product family	-	rel level Released			
			BERGSTAK 0.8MM		dwg no	61082		rev
www.fci.com			RECEPTACLE ASS'Y				AB	
cat. no.			-		Product - Customer Drw		sheet 5 of 7	

PRODUCT NO.	NUMBER OF POSITIONS	DIMENSION		
		A	B	C
61082-024***	2X10	7.2	13.8	12.2
61082-044***	2X20	15.2	21.8	20.2
61082-064***	2X30	23.2	29.8	28.2
61082-084***	2X40	31.2	37.8	36.2
61082-104***	2X50	39.2	45.8	44.2
61082-124***	2X60	47.2	53.8	52.2
61082-144***	2X70	55.2	61.8	60.2
61082-164***	2X80	63.2	69.8	68.2
61082-184***	2X90	71.2	77.8	76.2
61082-204***	2X100	79.2	85.8	84.2

DATE CODE: XXXXXX

DAY(01~31)
MONTH(01~12)
YEAR(00~99)

DETAIL K



COPLANARITY OF TAIL
0.1 MAX APPLIED TO 2X20 TO 2X70 POS
0.13 MAX APPLIED TO 2X80 TO 2X100 POS.

HIGH PRECISION COPLANARITY IS AVAILABLE FOR 2X80 TO 2X100 POS.
PLS REFER TO PRINT 10069524.

DETAIL J
SCALE 8:1

A

B

C

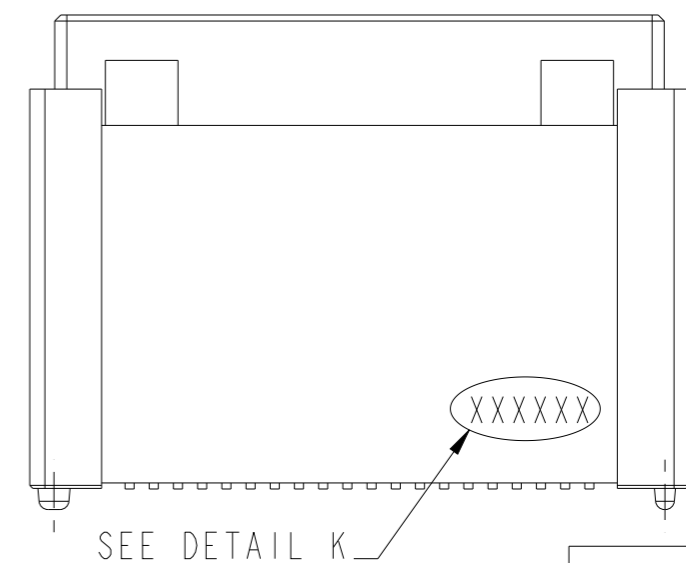
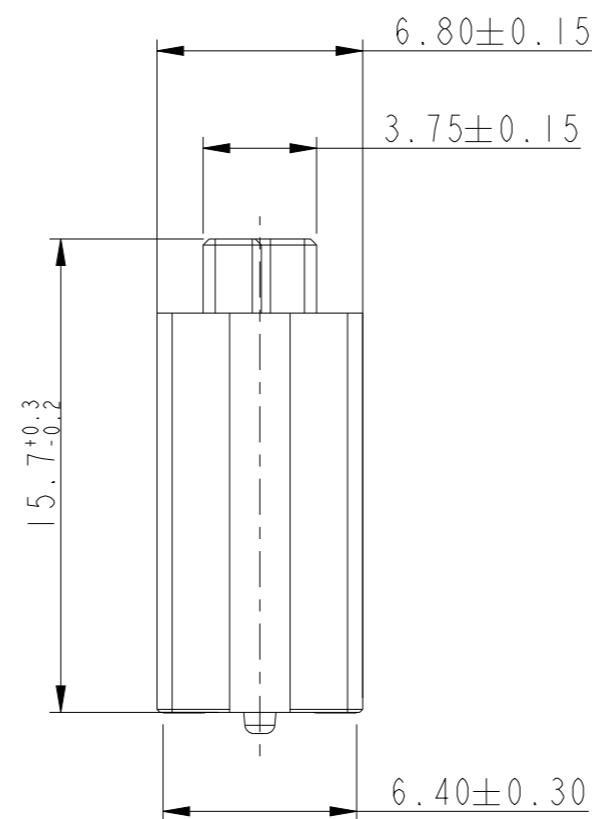
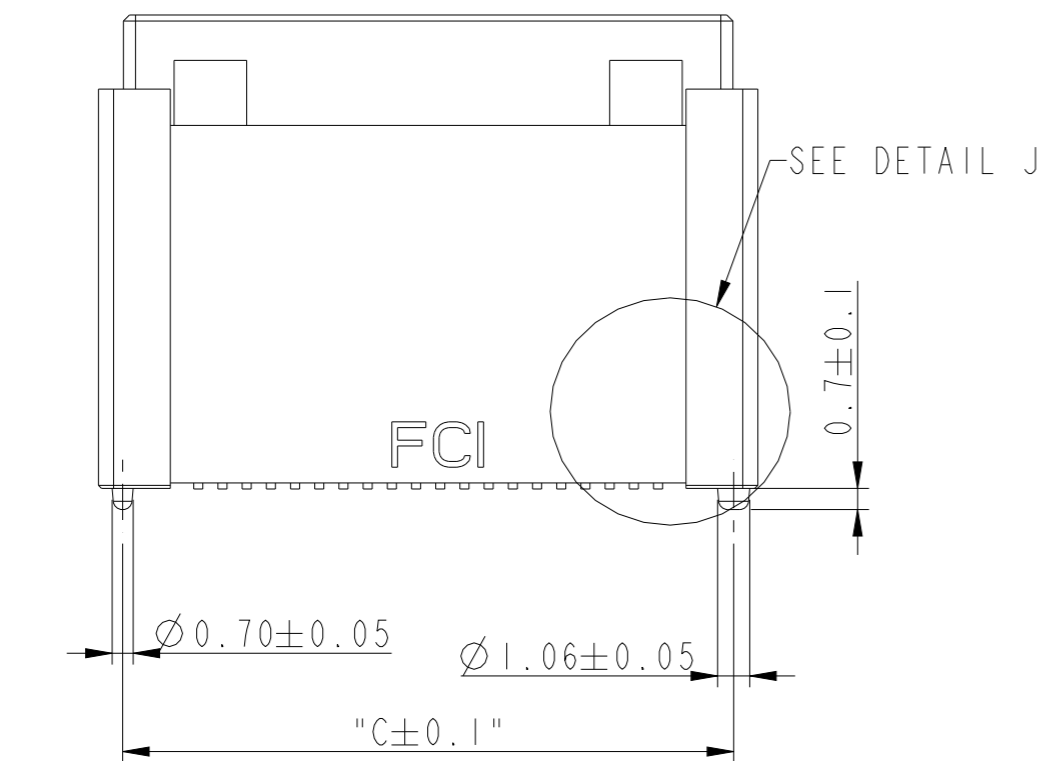
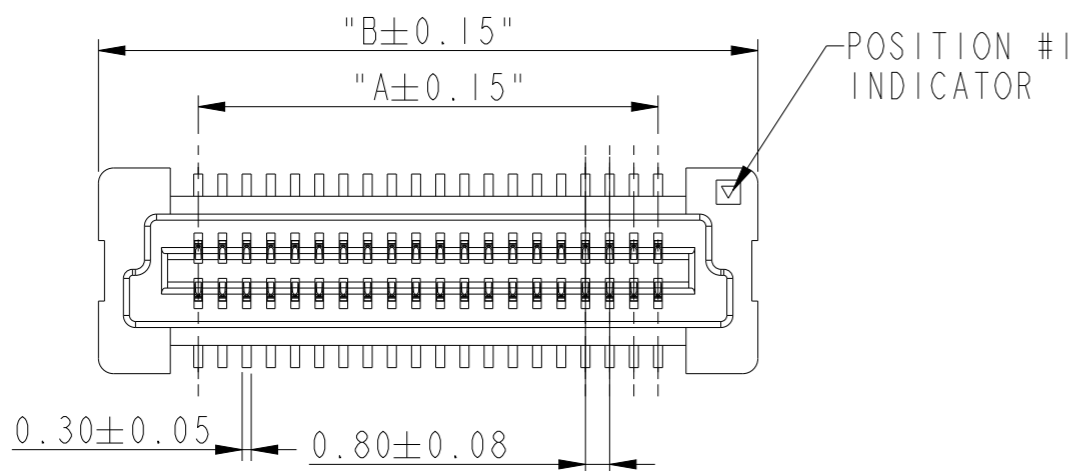
D

A

B

C

D



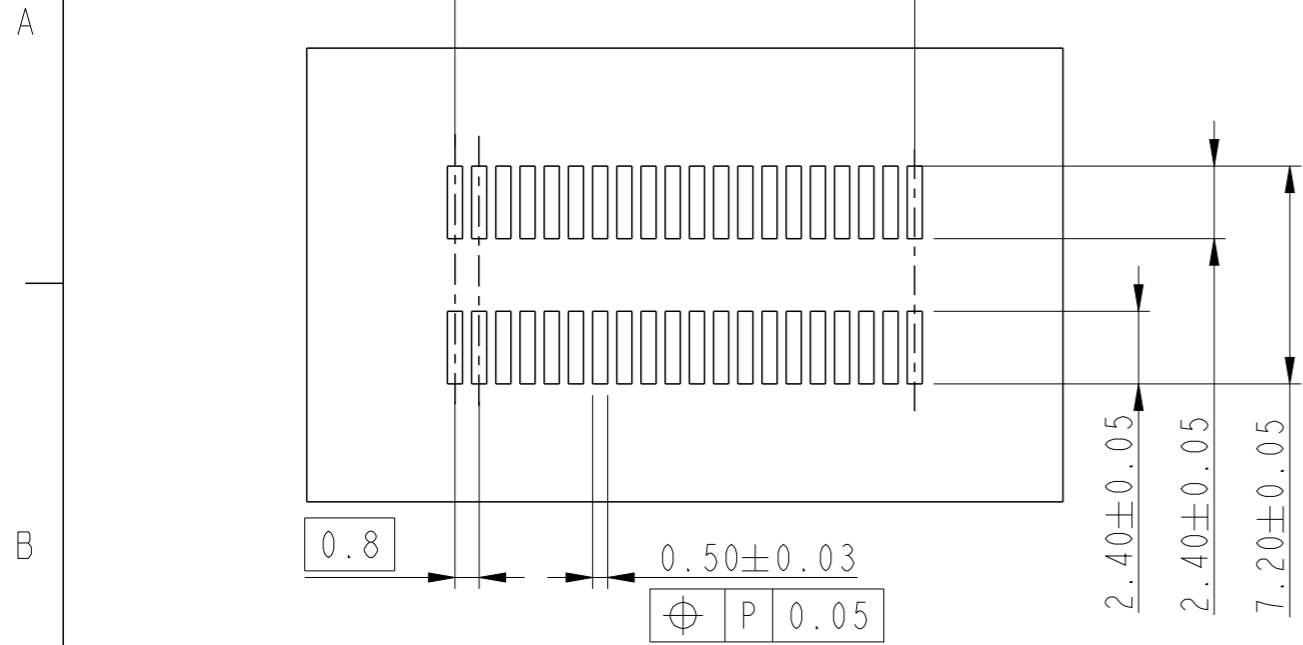
RECEPTACLE 4

dr	Matthew Cheong	2009/06/09	projection	MM	size	A3	scale	3:1
eng	Guo-Min Sun	2014/11/04			ecn no ELX-N-15825-1			
chr	-	-			rel level Released			
appr	Feagle Pan	2014/11/05	product family		-			
			BERGSTAK 0.8MM		dwg no		61082	
www.fci.com			RECEPTACLE ASS'Y		rev		AB	
cat. no.			-		Product - Customer Drw		sheet 6 of 7	

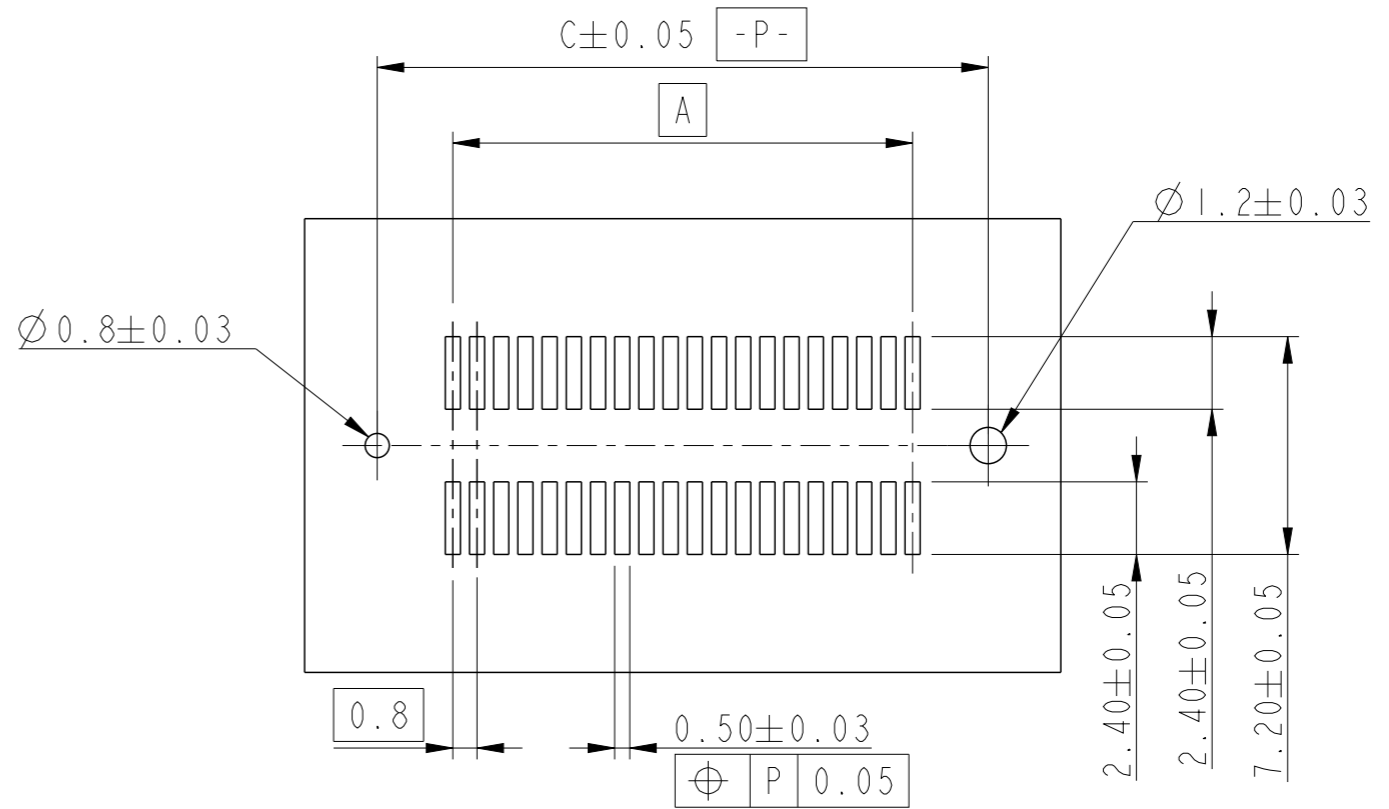


Copyright FCI.

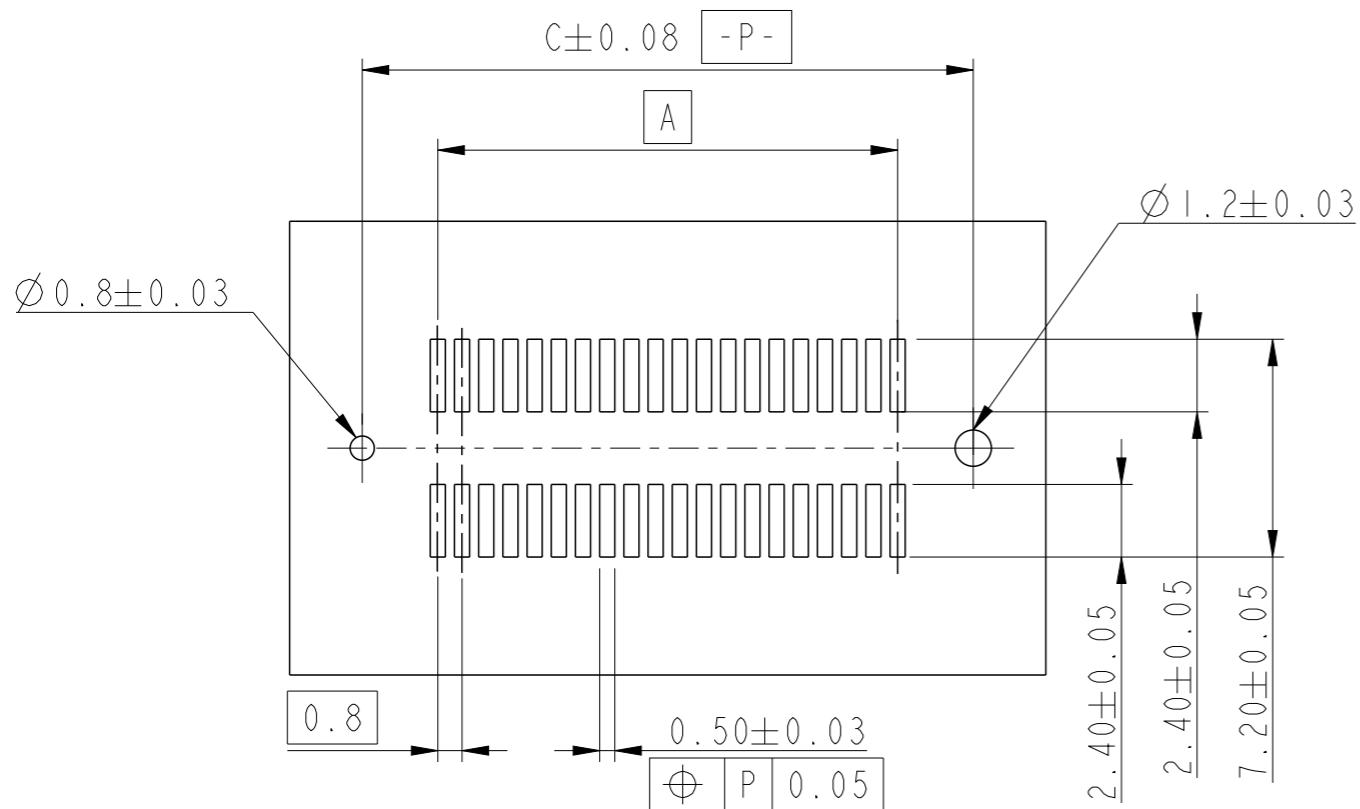
RECEPTACLE 2 & 3 & 4



RECOMMENDED PCB LAYOUT WITHOUT PEGS AND HOLDDOWN



RECOMMENDED PCB LAYOUT WITH PEGS
FOR NO. OF POSITION 2X20, 2X30, 2X40, 2X50, 2X60



RECOMMENDED PCB LAYOUT WITH PEGS
FOR NO. OF POSITION 2X70, 2X80, 2X90, 2X100



Copyright FCI.

dr	Matthew Cheong	2009/06/09	projection	MM	size	A3	scale	3:1
eng	Guo-Min Sun	2014/11/04			ecn no	ELX-N-15825-1		
chr	-	-	product family	-	rel level	Released		
appr	Feagle Pan	2014/11/05						
www.fci.com		cat. no.	-	Product - Customer Drw	sheet 7 of 7			

FCI	title	BERGSTAK 0.8MM RECEPTACLE ASS'Y	dwg no	61082	rev	AB
-----	-------	------------------------------------	--------	-------	-----	----