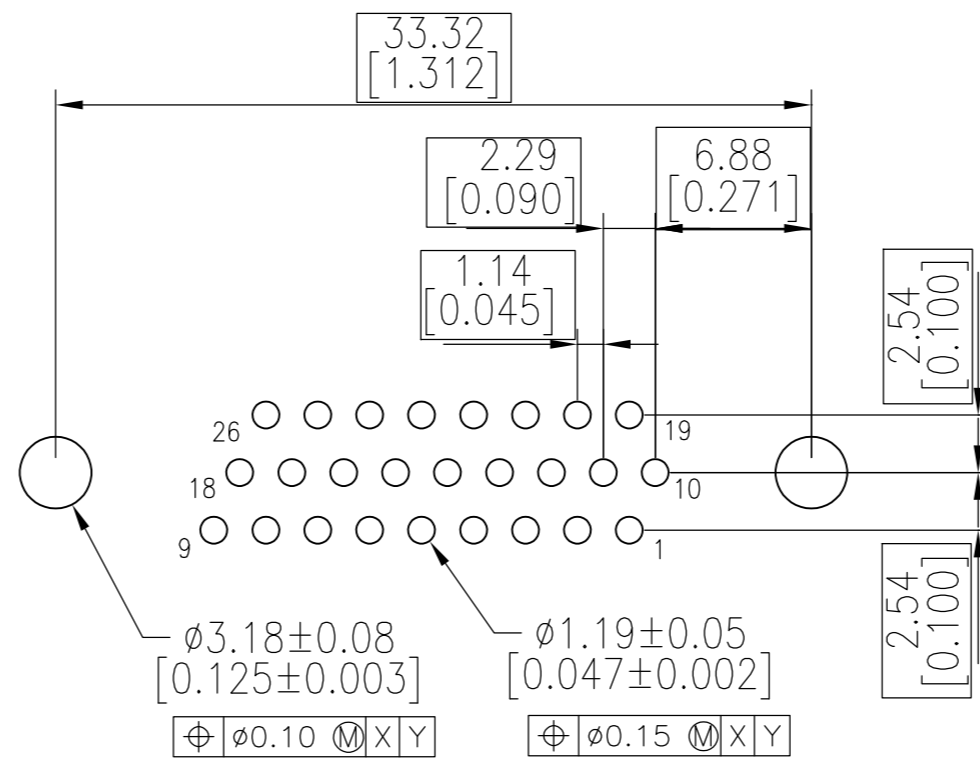
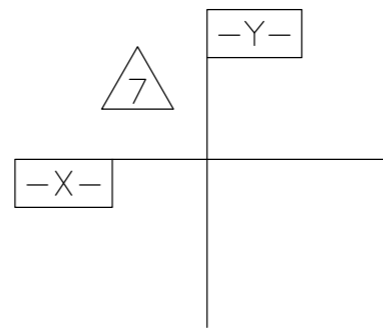
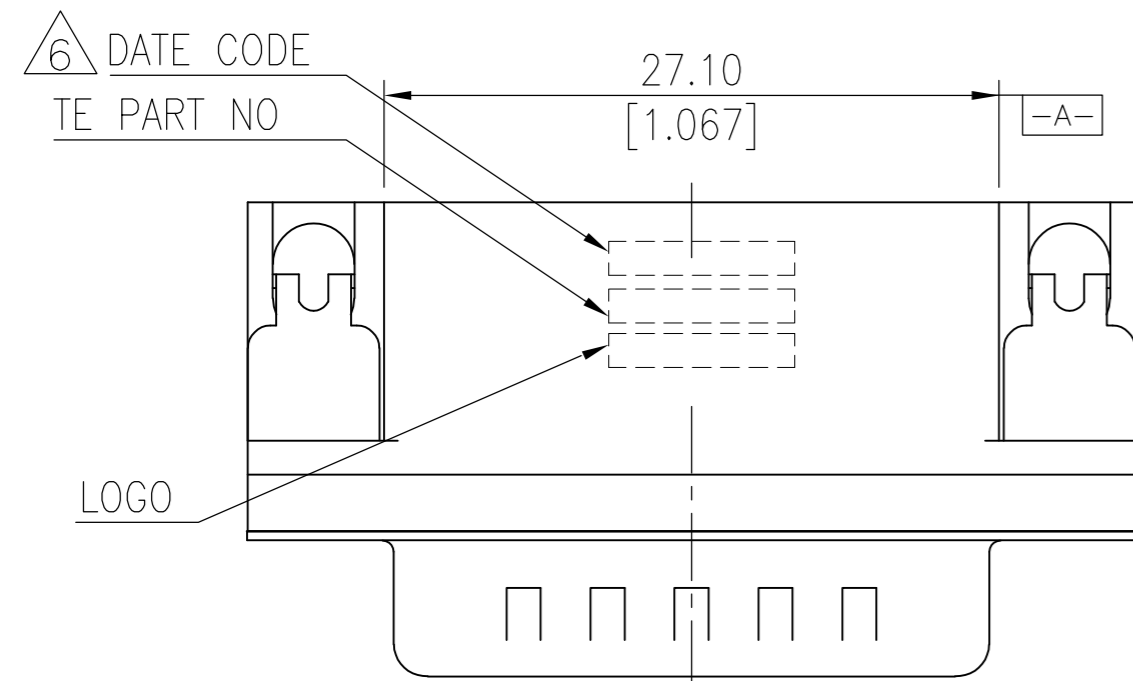
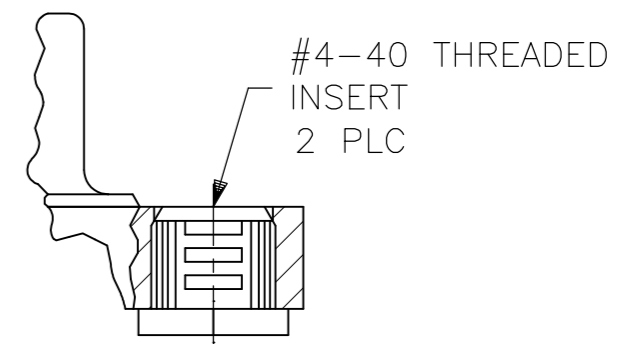
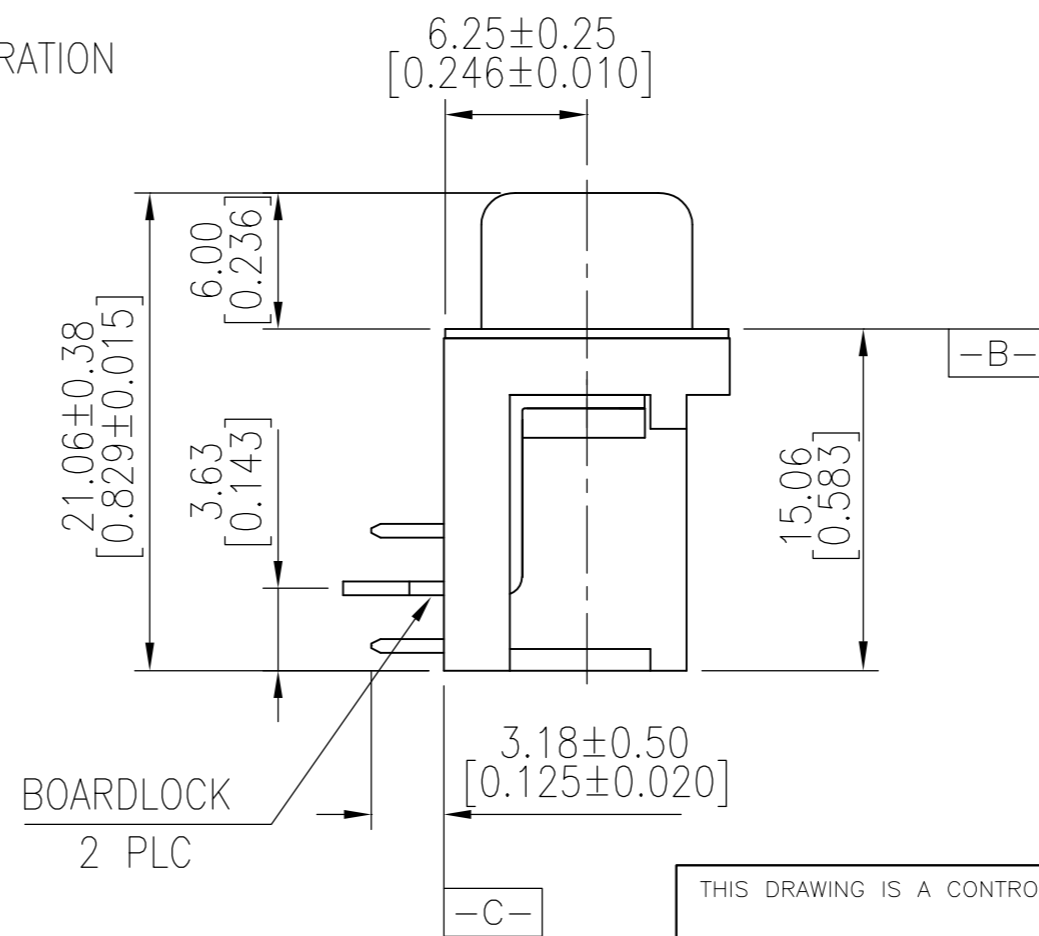
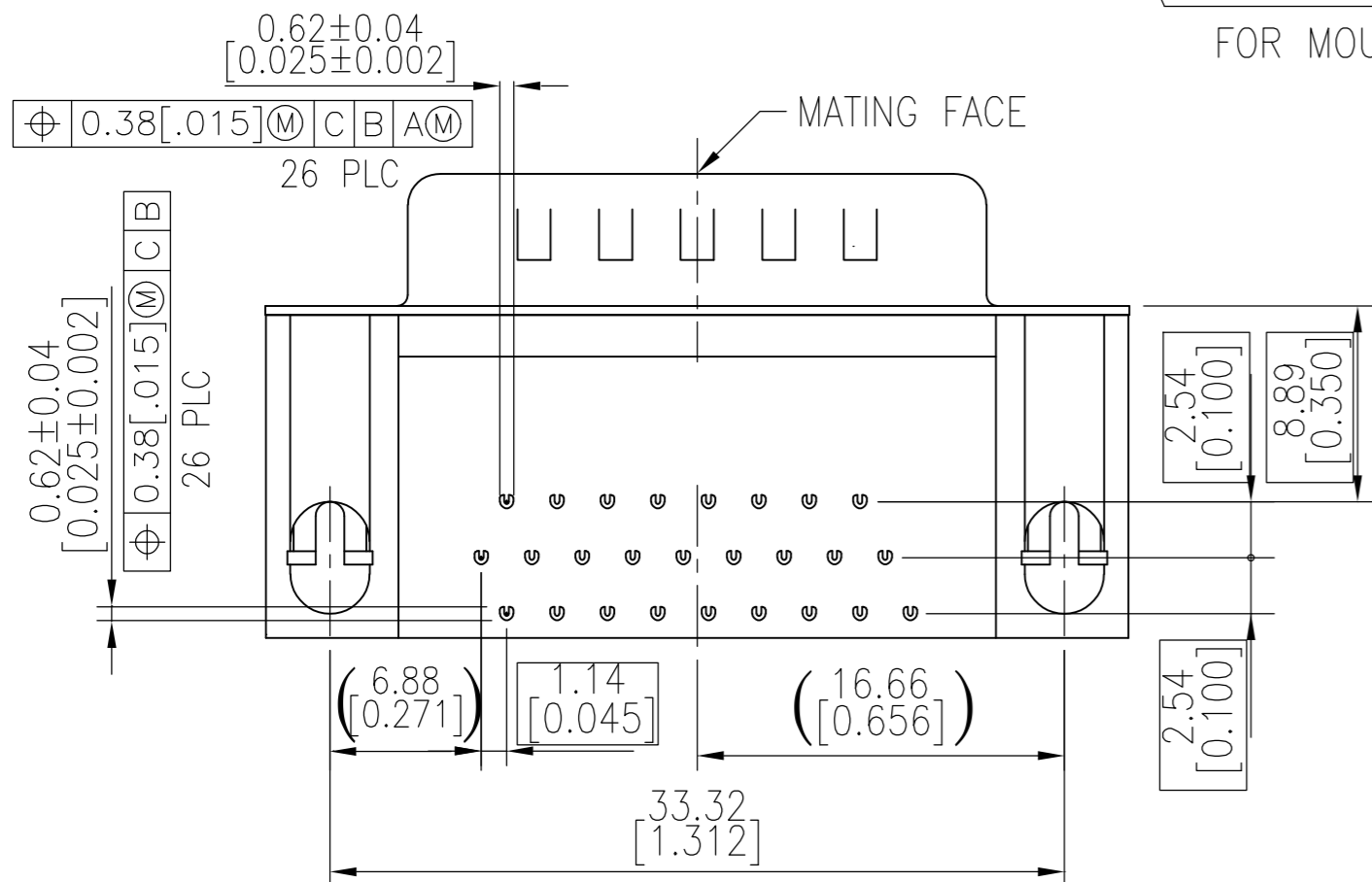
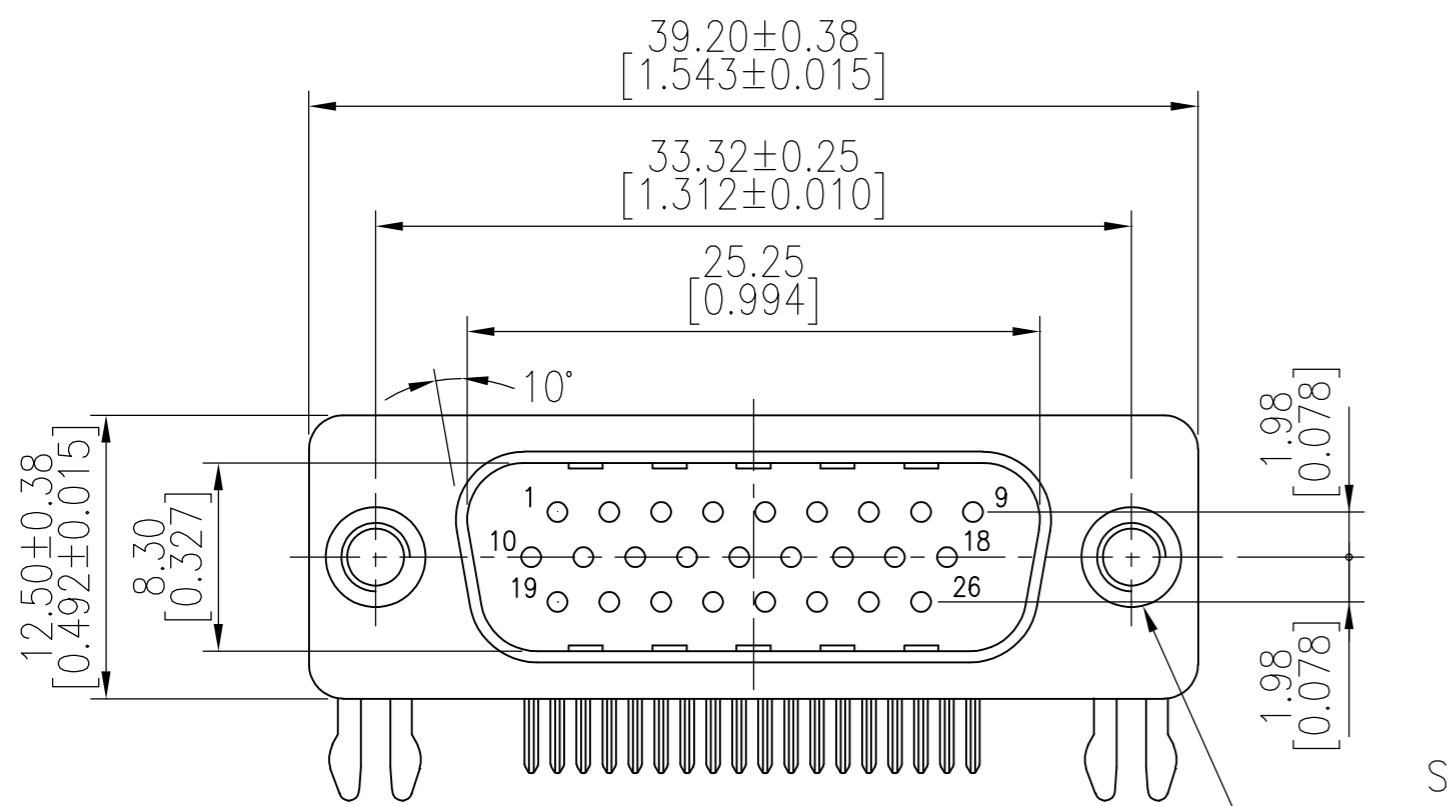


THIS DRAWING IS UNPUBLISHED. RELEASED FOR PUBLICATION  
 © COPYRIGHT - By - ALL RIGHTS RESERVED.

| LOC |     | DIST                      |  | REVISIONS |     |      |  |
|-----|-----|---------------------------|--|-----------|-----|------|--|
| P   | LTR | DESCRIPTION               |  | DATE      | DWN | APVD |  |
| B1  |     | REVISED PER ECO-11-005301 |  | 13APR11   | RK  | HMR  |  |



RECOMMENDED PCB LAYOUT



DETAIL A

- HOUSING: PBT, BLACK, UL94V-0.
- CONTACT: BRASS, GOLD PLATE IN THE MATING AREA (SEE TABLE), 120u" MINIMUM TIN PLATE ON THE SOLDER-TAIL BOTH OVER 50u" MINIMUM NICKEL UNDERPLATE.
- SHELL: STEEL, NICKEL PLATE.
- BOARDLOCK: BRASS, 100u" MINIMUM TIN PLATE
- THREADED INSERT: BRASS, NICKEL PLATE
- FOUR DIGIT DATE CODE IN THIS FORMAT.

YEAR 01 45 MANUFACTURING WEEK

DATUMS -X- & -Y- TO BE ESTABLISHED BY CUSTOMER.

|           |                        |                            |             |           |
|-----------|------------------------|----------------------------|-------------|-----------|
|           | TRAY                   | DETAIL A                   | GOLD FLASH  | 5749769-3 |
| OBsolete  | TRAY                   | DETAIL A                   | 15µ" MIN    | 5749769-2 |
|           | TRAY                   | DETAIL A                   | 30µ" MIN    | 5749769-1 |
| PACKAGING | MOUNTING FLANGE CONFIG | CONTACT MATING AREA FINISH | PART NUMBER |           |

| DIMENSIONS: |          | TOLERANCES UNLESS OTHERWISE SPECIFIED: |          | DWN              |             | RICHARDSON |  | TE Connectivity   |           |            |               |        |
|-------------|----------|--|----------|------------------|-------------|------------|--|---|-----------|------------|---------------|--------|
| mm          |          | 0 PLC                                  | ± -      | CHK              | S. BOLASH   | 22APR2005  |  | PLUG ASSEMBLY, RIGHT ANGLE, 26 POSITION, HD-22, AMPLIMITE |           |            |               |        |
|             |          | 1 PLC                                  | ± 0.30   | APVD             | M. WALMSLEY | 22APR2005  |  |   |           |            |               |        |
|             |          | 2 PLC                                  | ± 0.20   | PRODUCT SPEC     |             |            |  | SIZE  | CAGE CODE | DRAWING NO | RESTRICTED TO |        |
|             |          | 3 PLC                                  | ± 0.10   | APPLICATION SPEC |             |            |  | A2  | 00779     | C=5749769  | -             |        |
|             |          | 4 PLC                                  | ± -      |                  |             |            |  | WEIGHT  | GRAMS     |            |               |        |
|             |          | ANGLES                                 | ± 2°     |                  |             |            |  | CUSTOMER DRAWING  |           | SCALE      | SHEET 1 of 2  | REV B1 |
| MATERIAL    | SEE NOTE | FINISH                                 | SEE NOTE |                  |             |            |  |   |           |            |               |        |

4

3

2

1

THIS DRAWING IS UNPUBLISHED. RELEASED FOR PUBLICATION  
 © COPYRIGHT - By - ALL RIGHTS RESERVED.

| LOC | DIST | REVISIONS   |      |     |      |
|-----|------|-------------|------|-----|------|
| P   | LTR  | DESCRIPTION | DATE | DWN | APVD |
| DW  | -    | SEE SHEET 1 | -    | -   | -    |

URETHANE CUSHION (2 PLACES)

TAPE (4 PLACES)

AIR CAP SHEET (4 PLACES)

Cover

Tray

NOTES:

- MATERIAL:
  - 1.1 TRAY: PVC
  - 1.2 SHIPPING CARTON: CORRUGATED FIBERBOARD
- DIMENSION:
  - 2.1 TRAY: L=32.0X23.0X1.89 CM
  - 2.2 SHIPPING CARTON: L=36.1X24.5X27.2 CM
- QUANTITY:
  - 3.1 PRIMARY PACKING: 80 PCS/TRAY
  - 3.2 SECONDARY PACKING: 10 TRAY/CARTON(800PCS)
- WEIGHT:
  - 4.1 NET WEIGHT: 9.54 Kg
  - 4.2 GROSS WEIGHT: 11.54 Kg

LABEL

36.1

24.5

27.2

8.40

2.70

13.10

9.70

0.35±0.05

|  |   |                                   |  |                         |       |   |      |       |   |      |       |   |      |       |   |   |        |   |    |              |            |  |
|--|---|-----------------------------------|--|-------------------------|-------|---|------|-------|---|------|-------|---|------|-------|---|---|--------|---|----|--------------|------------|--|
| THIS DRAWING IS A CONTROLLED DOCUMENT.   |   | DWN<br>R. RICHARDSON<br>22APR2005 | TE Connectivity  |                         |       |   |      |       |   |      |       |   |      |       |   |   |        |   |    |              |            |  |
| DIMENSIONS:<br>mm  |   | CHK<br>S. BOLASH<br>22APR2005     |  |                         |       |   |      |       |   |      |       |   |      |       |   |   |        |   |    |              |            |  |
| TOLERANCES UNLESS OTHERWISE SPECIFIED:   |   | APVD<br>M. WALMSLEY<br>22APR2005  | NAME<br>PLUG ASSEMBLY, RIGHT ANGLE,<br>26 POSITION, HD-22, AMPLIMITE |                         |       |   |      |       |   |      |       |   |      |       |   |   |        |   |    |              |            |  |
| <table border="1"> <tr> <td>0 PLC</td> <td>±</td> <td>-</td> </tr> <tr> <td>1 PLC</td> <td>±</td> <td>0.30</td> </tr> <tr> <td>2 PLC</td> <td>±</td> <td>0.20</td> </tr> <tr> <td>3 PLC</td> <td>±</td> <td>0.10</td> </tr> <tr> <td>4 PLC</td> <td>±</td> <td>-</td> </tr> <tr> <td>ANGLES</td> <td>±</td> <td>2°</td> </tr> </table> |   | 0 PLC                             | ±  | -                       | 1 PLC | ± | 0.30 | 2 PLC | ± | 0.20 | 3 PLC | ± | 0.10 | 4 PLC | ± | - | ANGLES | ± | 2° | PRODUCT SPEC | SIZE<br>A2 |  |
| 0 PLC  | ± | -                                 |  |                         |       |   |      |       |   |      |       |   |      |       |   |   |        |   |    |              |            |  |
| 1 PLC  | ± | 0.30                              |  |                         |       |   |      |       |   |      |       |   |      |       |   |   |        |   |    |              |            |  |
| 2 PLC  | ± | 0.20                              |  |                         |       |   |      |       |   |      |       |   |      |       |   |   |        |   |    |              |            |  |
| 3 PLC  | ± | 0.10                              |  |                         |       |   |      |       |   |      |       |   |      |       |   |   |        |   |    |              |            |  |
| 4 PLC  | ± | -                                 |  |                         |       |   |      |       |   |      |       |   |      |       |   |   |        |   |    |              |            |  |
| ANGLES   | ± | 2°                                |  |                         |       |   |      |       |   |      |       |   |      |       |   |   |        |   |    |              |            |  |
| MATERIAL<br>SEE NOTE   |   | APPLICATION SPEC                  | CAGE CODE<br>00779   | DRAWING NO<br>C=5749769 |       |   |      |       |   |      |       |   |      |       |   |   |        |   |    |              |            |  |
| FINISH<br>SEE NOTE   |   | WEIGHT<br>- GRAMS                 | RESTRICTED TO  | SCALE<br>-              |       |   |      |       |   |      |       |   |      |       |   |   |        |   |    |              |            |  |
|  |   | CUSTOMER DRAWING                  | SHEET<br>2 of 2  | REV<br>B1               |       |   |      |       |   |      |       |   |      |       |   |   |        |   |    |              |            |  |

1471-9 (3/11)

5749769