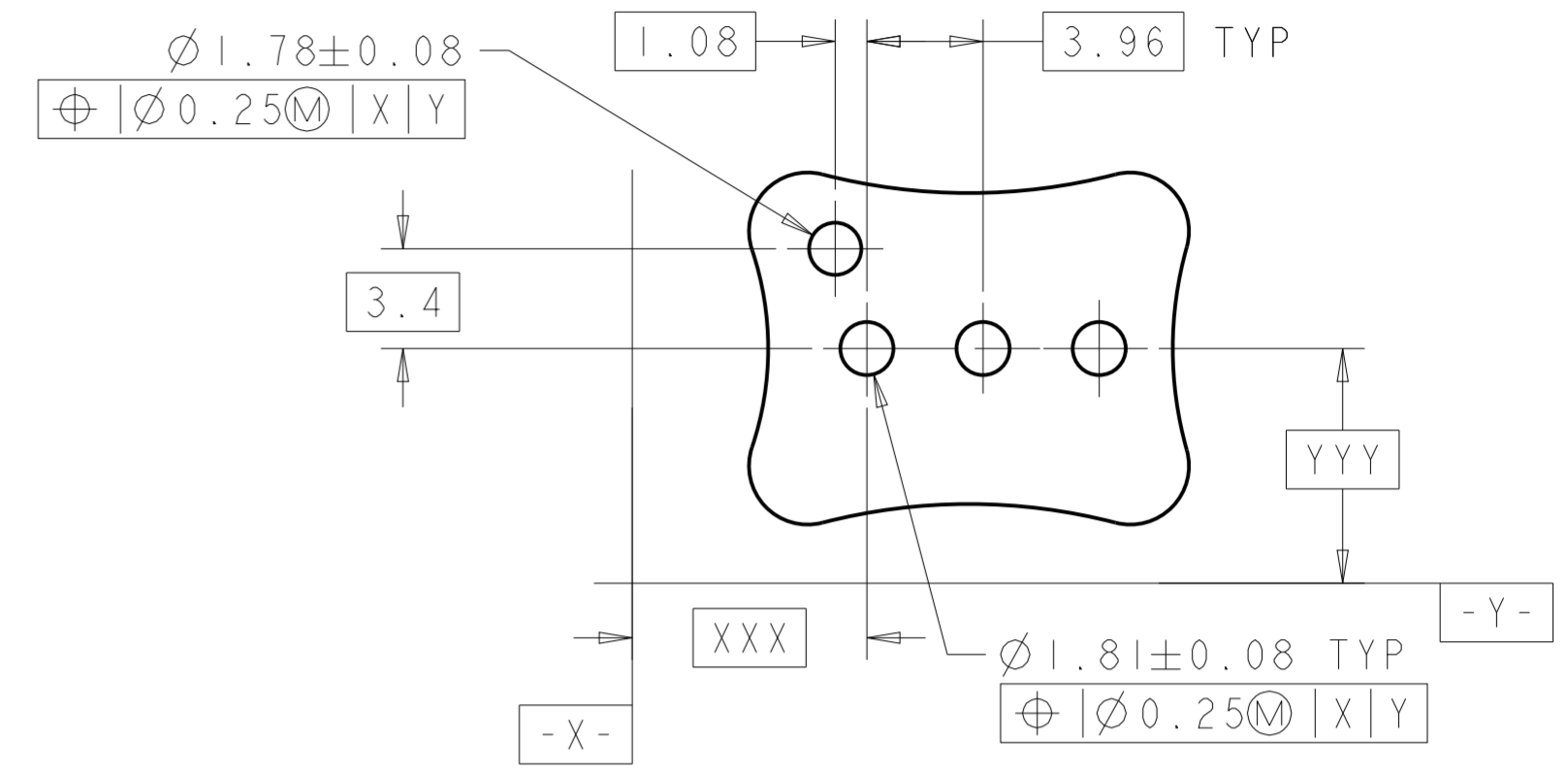
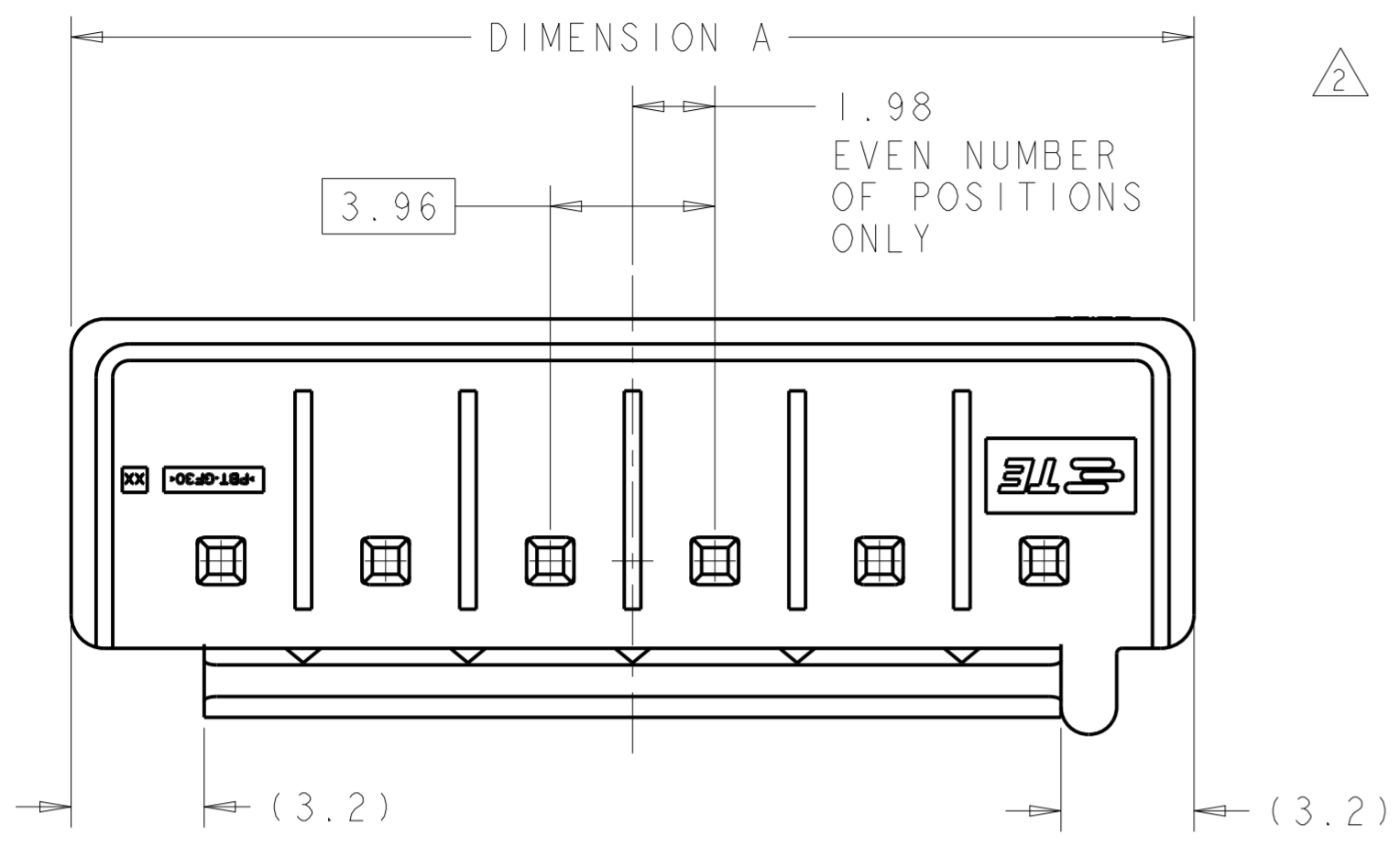


THIS DRAWING IS UNPUBLISHED. RELEASED FOR PUBLICATION 20  
 © COPYRIGHT 20 BY - ALL RIGHTS RESERVED.

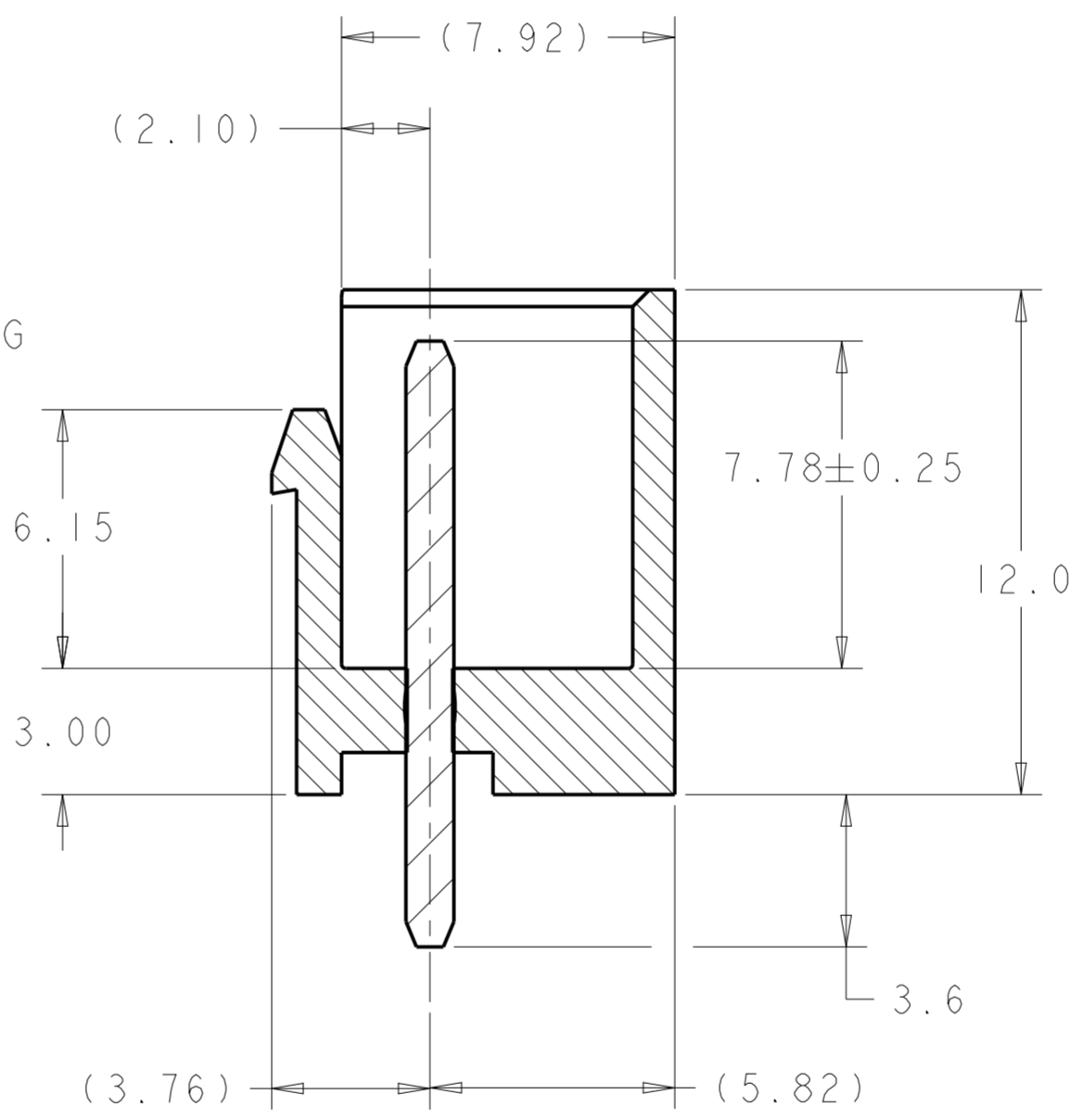
LOC	DIST	REVISIONS					
GP	00	P	LTR	DESCRIPTION	DATE	DWN	APVD
		D		REVISED PER ECR-14-002687	07MAR2014	NK	TM

1 MATERIAL: HOUSING; PBT GLASS FILLED UL94V-0  
 PIN; BRASS  
 2 FINISH: PIN, 1.0µm MIN TIN OVER 0.8µm MIN NICKEL.

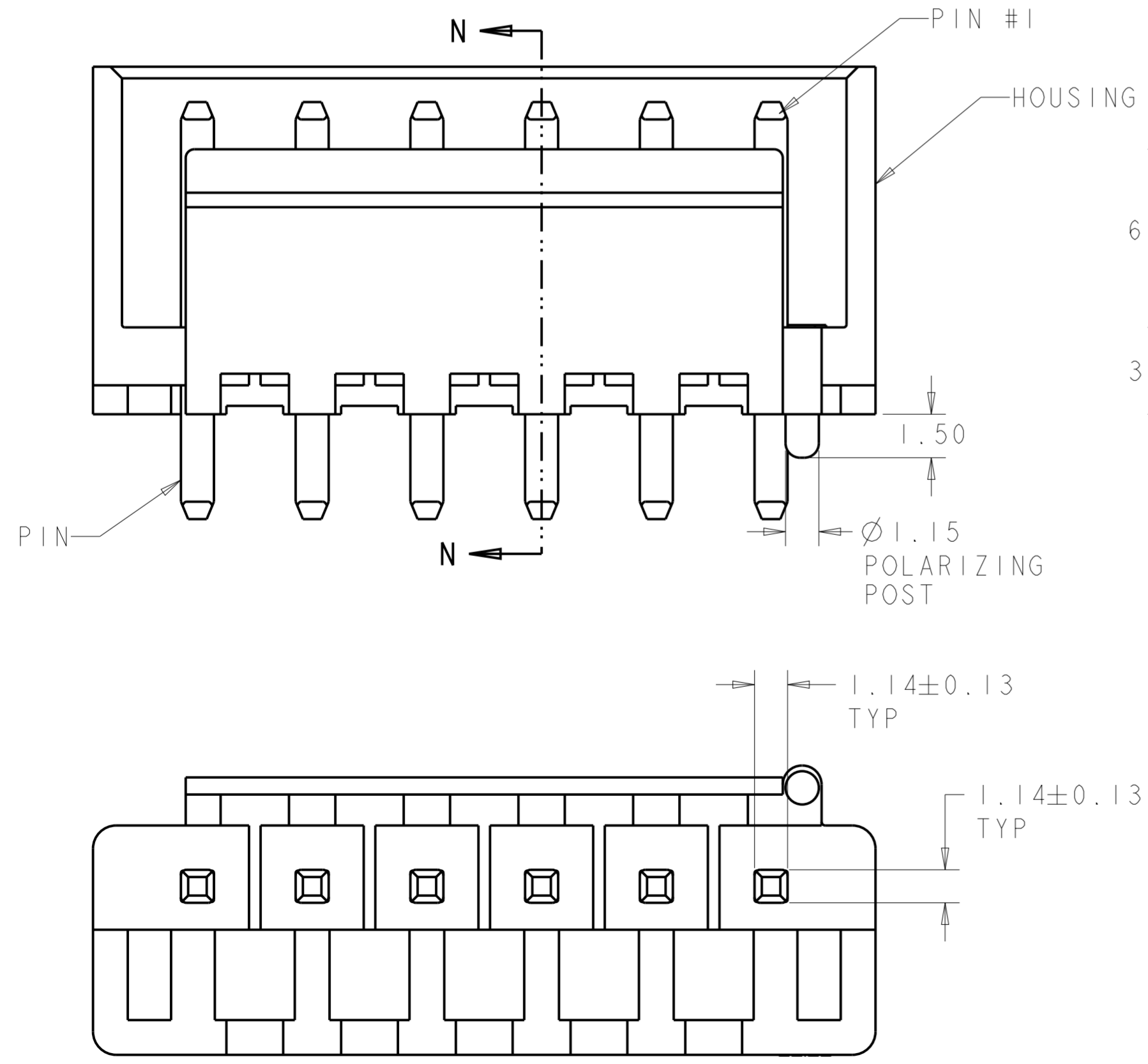


RECOMMENDED PCB LAYOUT  
 SCALE 4:1

BLACK	50.77	12	3-1877285-2
BLACK	46.81	11	3-1877285-1
BLACK	42.85	10	3-1877285-0
BLACK	38.89	9	2-1877285-9
BLACK	34.93	8	2-1877285-8
BLACK	30.97	7	2-1877285-7
BLACK	27.01	6	2-1877285-6
BLACK	23.05	5	2-1877285-5
BLACK	19.09	4	2-1877285-4
BLACK	15.13	3	2-1877285-3
BLACK	11.17	2	2-1877285-2
WHITE	50.77	12	1-1877285-2
WHITE	46.81	11	1-1877285-1
WHITE	42.85	10	1-1877285-0
WHITE	38.89	9	1877285-9
WHITE	34.93	8	1877285-8
WHITE	30.97	7	1877285-7
WHITE	27.01	6	1877285-6
WHITE	23.05	5	1877285-5
WHITE	19.09	4	1877285-4
WHITE	15.13	3	1877285-3
WHITE	11.17	2	1877285-2
COLOR	DIM A	CKT	ASSEMBLY PART NO.



SECTION N-N



THIS DRAWING IS A CONTROLLED DOCUMENT.

DIMENSIONS:	TOLERANCES UNLESS OTHERWISE SPECIFIED:	DWN	03OCT2005
mm	0 PLC ±	W.G. LENKER	03OCT2005
	1 PLC ±0.50	CHK	R. WALKER
	2 PLC ±0.30	APVD	10SEP2008
	3 PLC ±	PRODUCT SPEC	S. RIDGILL
	4 PLC ±	APPLICATION SPEC	108-5609
	ANGLES ±	WEIGHT	-
MATERIAL	FINISH	Customer Drawing	SCALE 6:1
1	2		SHEET 1 OF 1

STE TE Connectivity

NAME SHROUDED HEADER ASSEMBLY, 2 THRU 12 POSITION, SINGLE LATCH, 3.96mm PITCH, ECONOMY POWER (EP)

SIZE A2 CAGE CODE G-1877285

RESTRICTED TO