

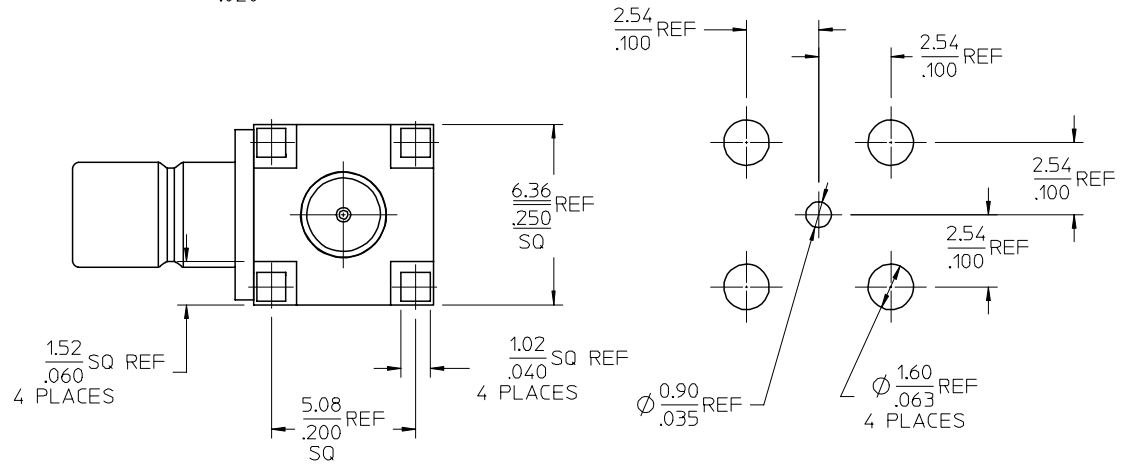
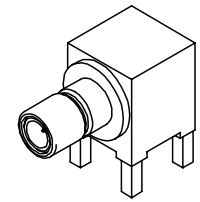
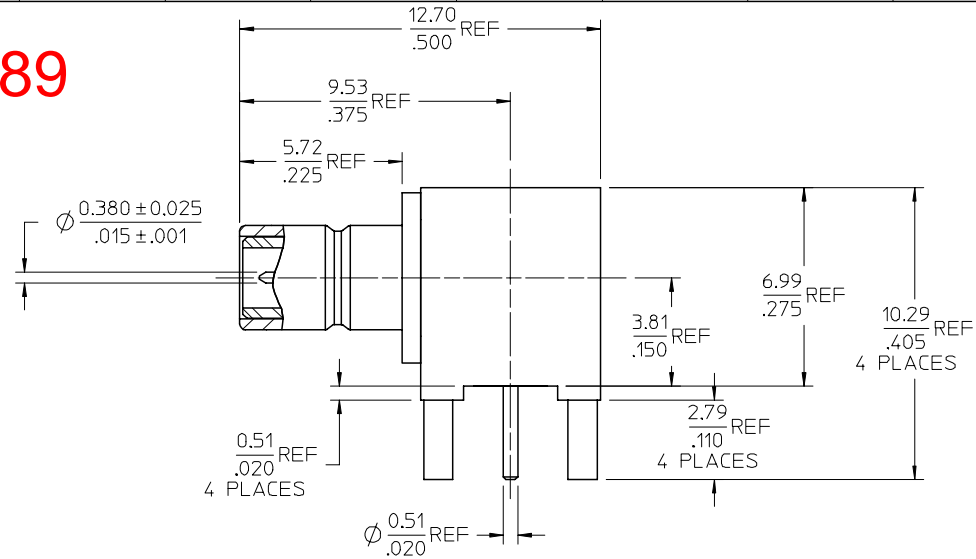
MATERIALS AND FINISHES

BODY BRASS
PLATED GOLD

CENTER CONTACT BRASS
PLATED GOLD

INSULATOR TEFLON

25-06789



PS-73598-0104	ELECTRO/MECH. PERFORM.
SPECIFICATION	DESCRIPTION

73404-2330	73100-0259, ONE PER BAG
73100-0259	TRAY
PART NO.	PACKAGING

CHG: REDREW IN SD	QUALITY SYMBOLS ▽=0 ▽=0
ADDED P/N	
73404-2330	
B1	

GENERAL TOLERANCES (UNLESS SPECIFIED)	
mm	INCH
4 PLACES ± .---	± .---
3 PLACES ± .---	± .---
2 PLACES ± .---	± .---
1 PLACE ± .---	± .---
ANGULAR ± 2 °	
DRAFT WHERE APPLICABLE MUST REMAIN WITHIN DIMENSIONS	

DIMENSION STYLE	
MM/IN	
DRAWN BY	DATE
SEAN	1995/10/11
CHECKED BY	DATE
APPROVED BY	DATE
MATERIAL NO.	
SEE TABLE	

SCALE	DESIGN UNITS	THIRD ANGLE PROJECTION
	METRIC	
SMB JACK, R/A, PCB SPECIAL RECEPTACLE SMB-J/RA/PCB		
MOLEX INCORPORATED		
DOCUMENT NO.	SHEET NO.	
SD-73100-0259	1 OF 1	
THIS DRAWING CONTAINS INFORMATION THAT IS PROPRIETARY TO MOLEX INCORPORATED AND SHOULD NOT BE USED WITHOUT WRITTEN PERMISSION		