

25-06772

M7566-05

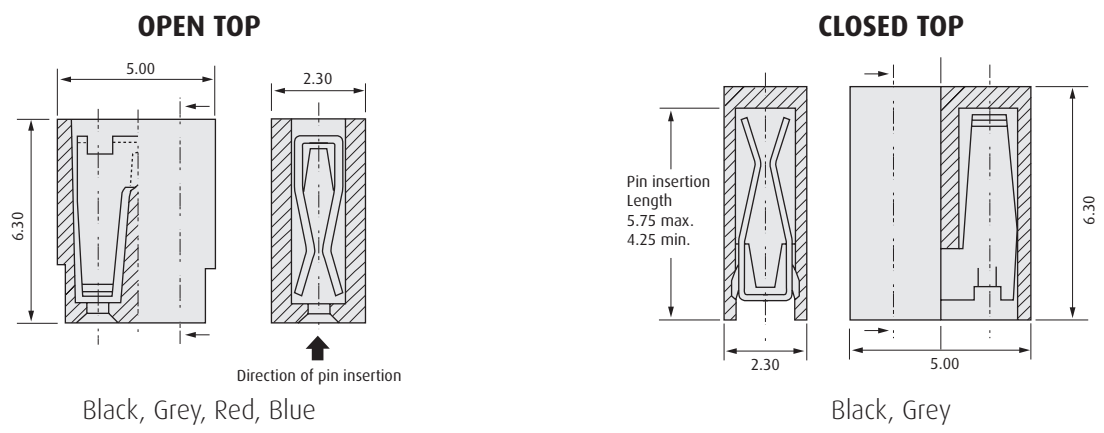


M20 Connectors Jumper Sockets

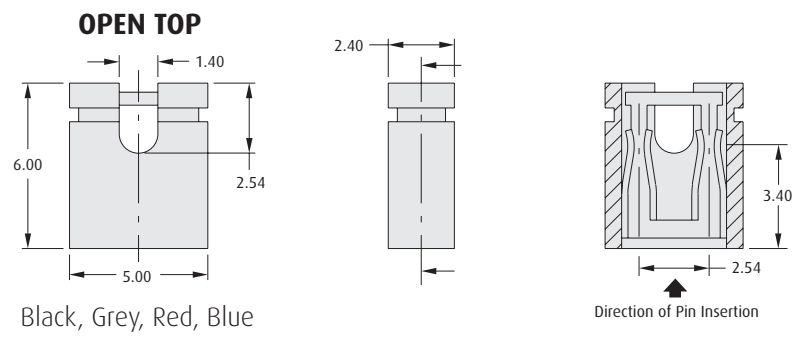
- ❖ Suitable for use with pin headers shown on pages 127 to 134.
- ❖ Can be fitted by hand, giving an alternative on-board programming method to DIP switches.
- ❖ Open top for use with test probes.
- ❖ End and side stackable.
- ❖ Choice of colours available.
- ❖ Multi-usage socket provides up to 300 operations (Gold).
- ❖ Twin beam contact for cost-effective reliability.

2.54mm (.100") PITCH

HIGH REL, MULTI-USAGE



HIGH FORCE, SINGLE OPERATION



HOW TO ORDER

M7 X XX - XX

SERIES CODE		M7	X	XX	-	XX	FINISH	
							05	Gold
							46	Tin

TYPE		HIGH REL	SINGLE OPERATION
5	Open Top	65	Grey
7	Closed Top	66	Red
		67	Black
		71	Blue
		80	Grey
		81	Red
		82	Black
		83	Blue

www.harwin.com

All dimensions in mm.

