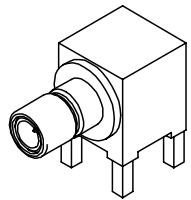


25-06770

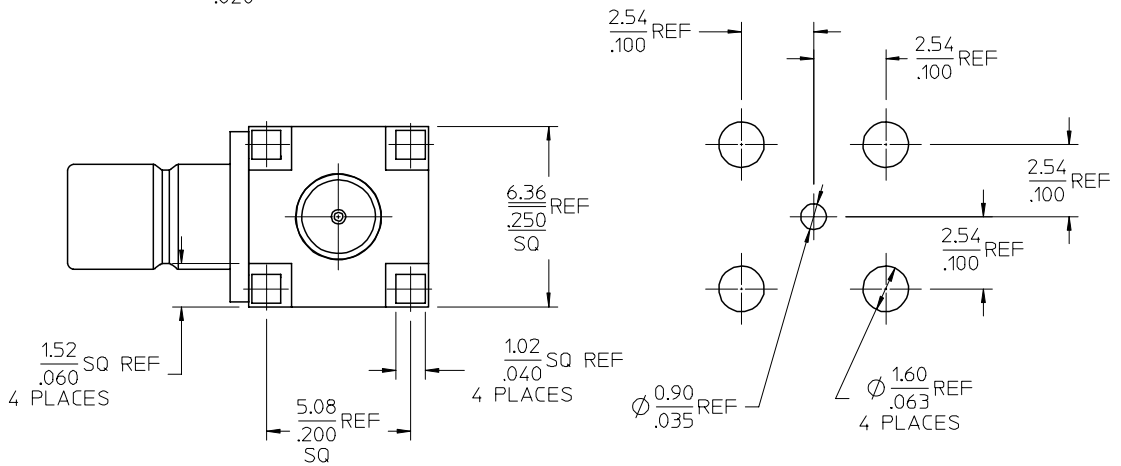
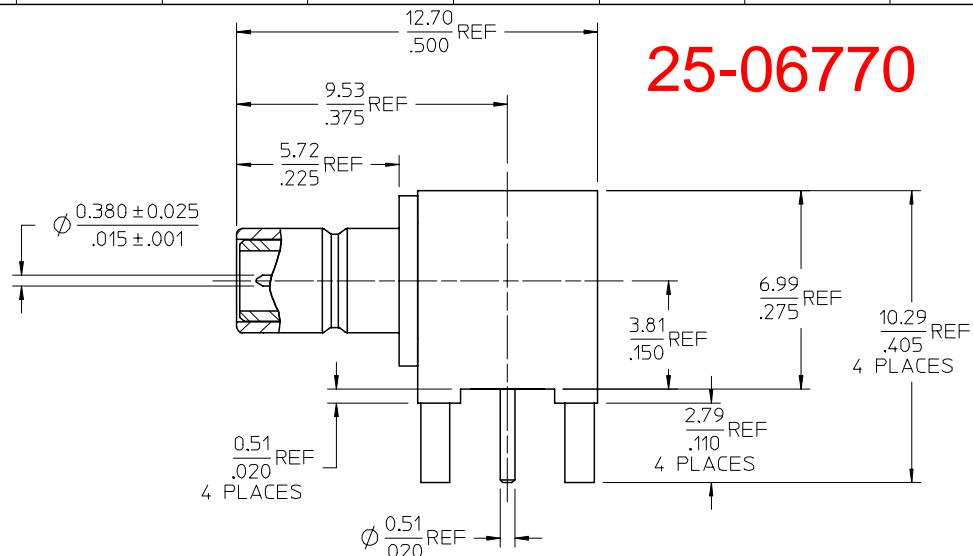


MATERIALS AND FINISHES

BODY BRASS
PLATED GOLD

CENTER CONTACT BRASS
PLATED GOLD

INSULATOR TEFLON



| | |
|---------------|------------------------|
| PS-73598-0104 | ELECTRO/MECH. PERFORM. |
| SPECIFICATION | DESCRIPTION |

| | |
|------------|-------------------------|
| 73404-2330 | 73100-0259, ONE PER BAG |
| 73100-0259 | TRAY |
| PART NO. | PACKAGING |

CHG: REDREW IN SD
ADDED P/N
73404-2330
FC NO: URF2007-0396
DRAWN: FLAHERTY 2007/05/01
CHKD: SHAH 2007/05/01
APPR: JIMENER 2007/05/01
B1

| GENERAL TOLERANCES (UNLESS SPECIFIED) | |
|---------------------------------------|-------|
| 4 PLACES ± --- | ± --- |
| 3 PLACES ± --- | ± --- |
| 2 PLACES ± --- | ± --- |
| 1 PLACE ± --- | ± --- |
| ANGULAR ± 2 ° | |

| DIMENSION STYLE | |
|-----------------|------------|
| MM/IN | |
| DRAWN BY | DATE |
| SEAN | 1995/10/11 |
| CHECKED BY | DATE |
| APPROVED BY | DATE |

SCALE DESIGN UNITS THIRD ANGLE PROJECTION

SMB JACK, R/A, PCB
SPECIAL RECEPTACLE
SMB-J/RA/PCB

molex MOLEX INCORPORATED

| | | | |
|---|----------------|---|------------------|
| DRAFT WHERE APPLICABLE MUST REMAIN WITHIN DIMENSIONS | SIZE SEE TABLE | MATERIAL NO. DOCUMENT NO. SD-73100-0259 | SHEET NO. 1 OF 1 |
| THIS DRAWING CONTAINS INFORMATION THAT IS PROPRIETARY TO MOLEX INCORPORATED AND SHOULD NOT BE USED WITHOUT WRITTEN PERMISSION | | | |