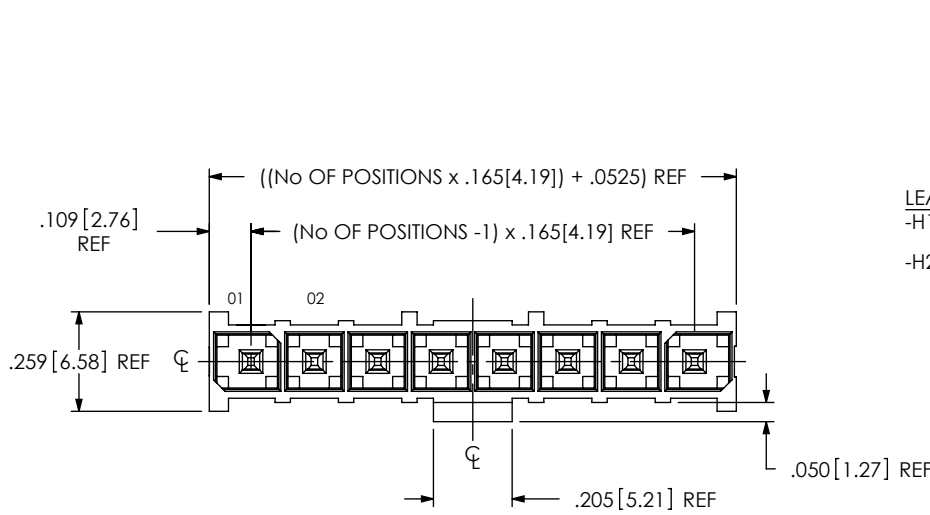


DO NOT SCALE FROM THIS PRINT



**IPBT-1XX-XX-XX-S-XX**

**No OF POSITIONS**  
-02 THRU -10

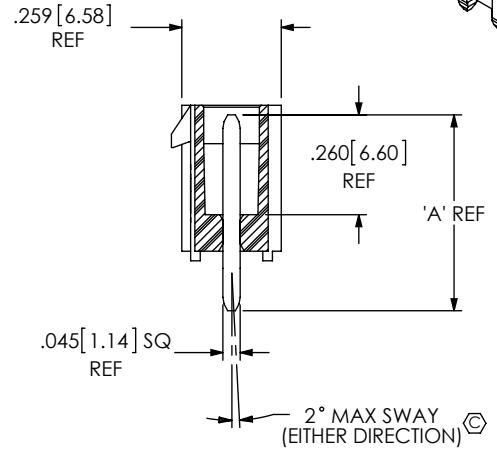
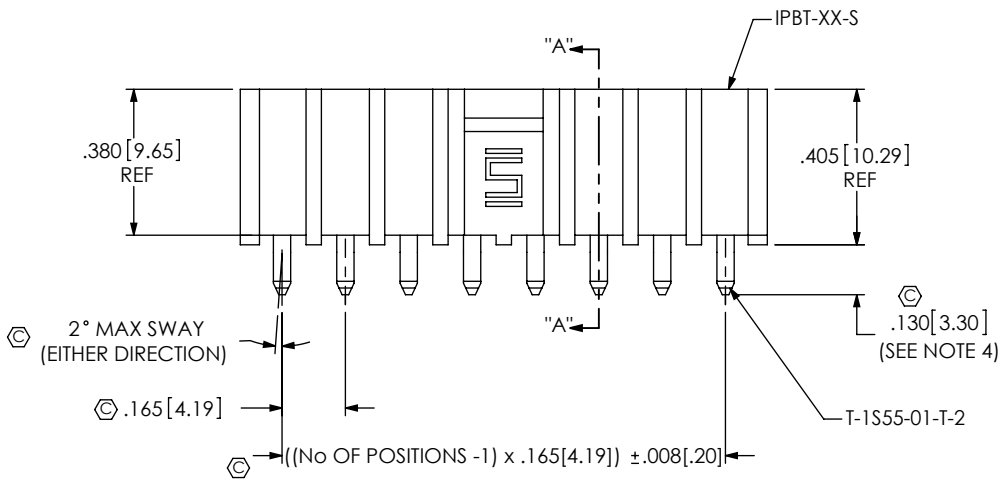
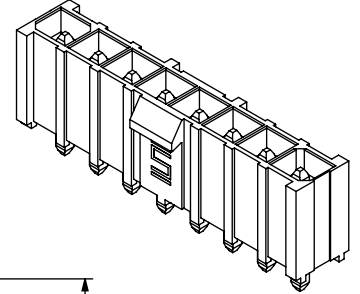
**LEAD STYLE**  
-H1: HIGH POWER, THRU HOLE (USE T-1S55-XX-XX-2)  
-H2: HIGH POWER, SURFACE MOUNT (USE T-1S55-XX-XX-2)

**PLATING SPECIFICATION**  
-T: MATTE TIN CONTACT AND TAIL (USE T-1S55-XX-T-2)  
-TM: MATTE TIN CONTACT AND TAIL (USE T-1S55-XX-T-2)

**OPTION**  
-RA: RIGHT ANGLE (SEE FIG 2, SHT 2) [STYLE -H2 NOT AVAILABLE]  
-GP: GUIDE POSTS (USE IPBT-XX-S-GP, SEE FIG 4, SHT 3)  
\*-K: KEYED POLARIZATION (USE IPBT-XX-S-K) (SEE FIG T, SHT 2) (NOT AVAILABE W/-GP OPTION)

\*(LEAVE BLANK FOR NO KEYED OPTION. SAMTEC WILL ONLY SUPPORT EXISTING BUSINESS AS OF REV F.)

**ROW SPECIFICATION**  
-S: SINGLE (USE IPBT-XX-S)



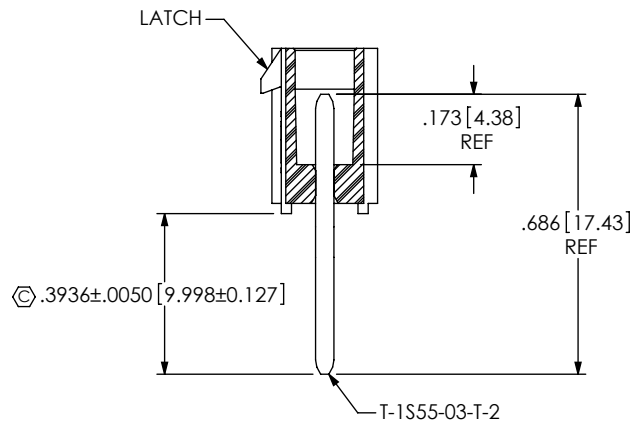
- NOTES:
1.  $\text{⊕}$  REPRESENTS A CRITICAL DIMENSION.
  2. PARTS TO BE MOLDED TO POSITION.
  3. MINIMUM TERMINAL RETENTION: 1 LB[4.45 N].
  4. POST MUST BE WITHIN .005[.13] OF EACH OTHER.

FIG 1  
IPBT-108-H1-XX-S SHOWN

TABLE 1			
PART NUMBER	BODY	TERMINAL	"A" REF
IPBT-1XX-H1-XX-S	IPBT-XX-S	T-1S55-01-T-2	.5100
IPBT-1XX-H2-XX-S	IPBT-XX-S	T-1S55-02-T-2	.6071
IPBT-1XX-H1-XX-S-RA	IPBT-XX-S	T-1S55-03-T-2	.6861
IPBT-1XX-H1-XX-S-RA-GP	IPBT-XX-S-GP	T-1S55-03-T-2	.6861
IPBT-1XX-H1-XX-S-GP	IPBT-XX-S-GP	T-1S55-01-T-2	.5100
IPBT-1XX-H2-XX-S-GP	IPBT-XX-S-GP	T-1S55-02-T-2	.6071

<p>UNLESS OTHERWISE SPECIFIED, DIMENSIONS ARE IN INCHES. TOLERANCES ARE: DECIMALS ANGLES .XX: <math>\pm .01 [0.3]</math> .XXX: <math>\pm .005 [0.13]</math> .XXXX: <math>\pm .0020 [0.051]</math></p>	<p>PROPRIETARY NOTE THIS DOCUMENT CONTAINS INFORMATION CONFIDENTIAL AND PROPRIETARY TO SAMTEC, INC. AND SHALL NOT BE REPRODUCED OR TRANSFERRED TO OTHER DOCUMENTS OR DISCLOSED TO OTHERS OR USED FOR ANY PURPOSE OTHER THAN THAT WHICH IT WAS OBTAINED WITHOUT THE EXPRESSED WRITTEN CONSENT OF SAMTEC, INC.</p>		
		<p>520 PARK EAST BLVD, NEW ALBANY, IN 47150 PHONE: 812-944-6733 FAX: 812-948-5047 e-Mail info@SAMTEC.com code 55322</p>	
<p>MATERIAL: DO NOT SCALE DRAWING SHEET SCALE: 2:1</p>		<p>DESCRIPTION: .165 SINGLE ROW TERMINAL ASSEMBLY</p>	
<p>INSULATOR: LCP, UL 94 VO COLOR: BLACK TERMINAL: HIGH COPPER ALLOY</p>		<p>DWG. NO. <b>IPBT-1XX-XX-XX-S-XX</b></p>	
<p>F:\DWG\MISC\MKTG\IPBT-1XX-XX-XX-XX-MKT.SLDDRW</p>		<p>BY: KEVIN B 05/06/03 SHEET 1 OF 3</p>	

IN-PROCESS 1



IN-PROCESS 2

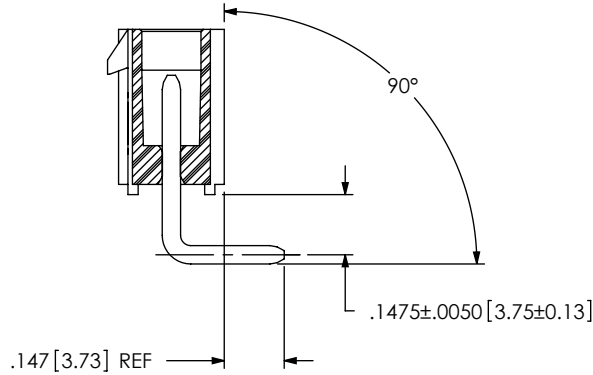


FIG 5

-K: POLARIZATION  
(IPBT-105-H1-XX-S-K SHOWN)  
(SAME AS FIG 1 UNLESS OTHERWISE STATED)

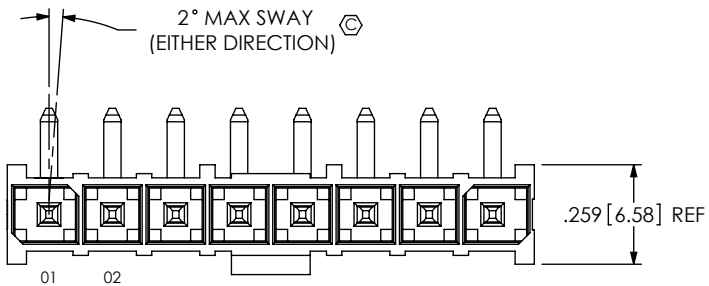
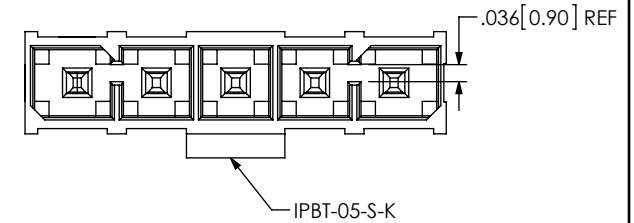
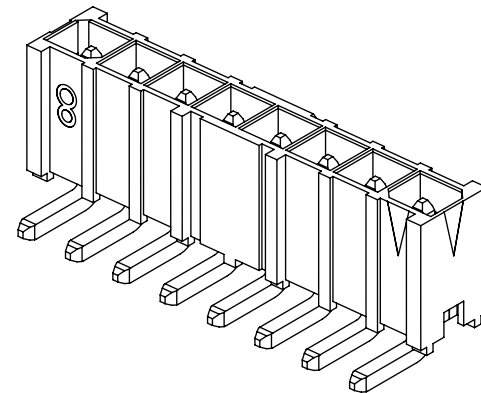
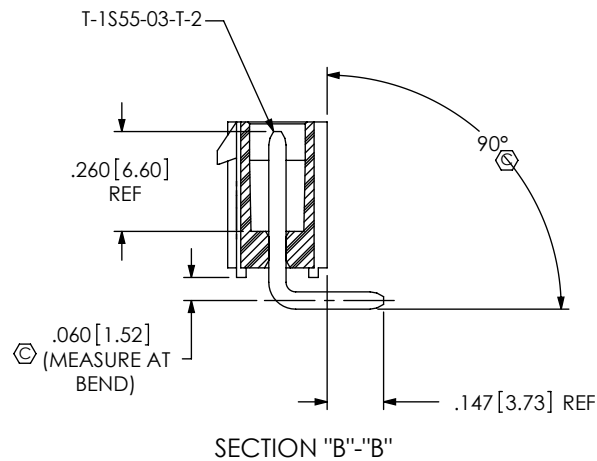
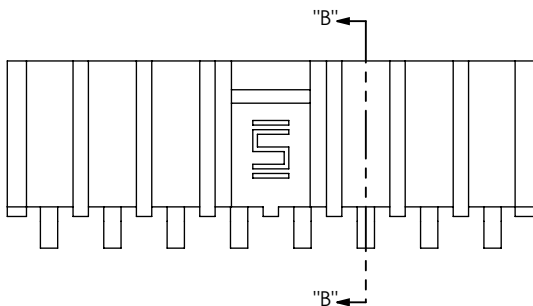


FIG 2

-RA: RIGHT ANGLE  
(IPBT-108-H1-XX-S-RA SHOWN)  
(DIFFERENT AS SHOWN, OTHERWISE SAME AS FIG 1)  
(STYLE -H2 NOT AVAILABLE)



F:\DWG\MISC\MKTG\IPBT-1XX-XX-XX-S-XX-MKT.SLDDRW

PROPRIETARY NOTE

THIS DOCUMENT CONTAINS INFORMATION CONFIDENTIAL AND PROPRIETARY TO SAMTEC, INC. AND SHALL NOT BE REPRODUCED OR TRANSFERRED TO OTHER DOCUMENTS OR DISCLOSED TO OTHERS OR USED FOR ANY PURPOSE OTHER THAN THAT WHICH IT WAS OBTAINED WITHOUT THE EXPRESSED WRITTEN CONSENT OF SAMTEC, INC.

DO NOT SCALE DRAWING

SHEET SCALE: 2:1



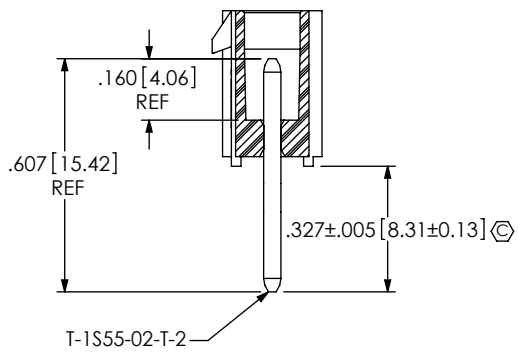
520 PARK EAST BLVD, NEW ALBANY, IN 47150  
PHONE: 812-944-6733 FAX: 812-948-5047  
e-Mail: info@SAMTEC.com code 55322

DESCRIPTION:  
.165 SINGLE ROW TERMINAL ASSEMBLY

DWG. NO.  
IPBT-1XX-XX-XX-S-XX

BY: KEVIN B 05/06/03 SHEET 2 OF 3

IN-PROCESS 1



IN-PROCESS 2

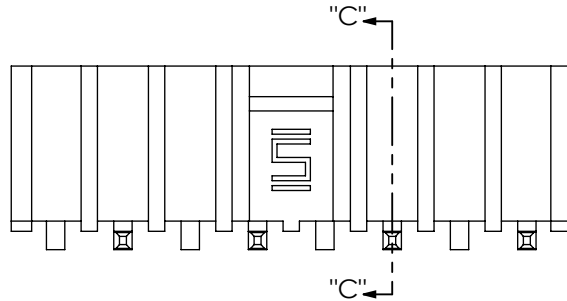
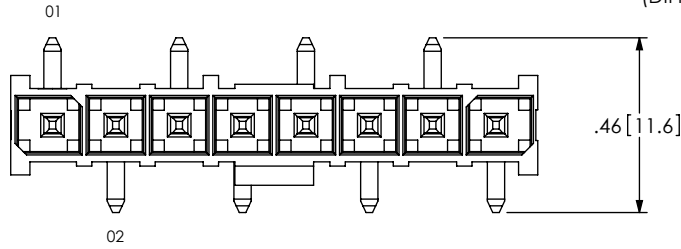
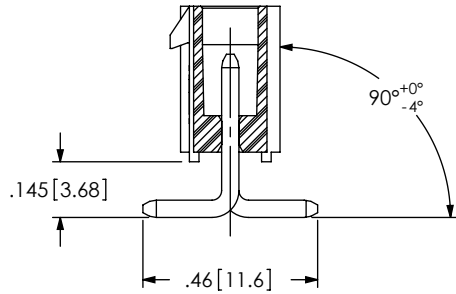
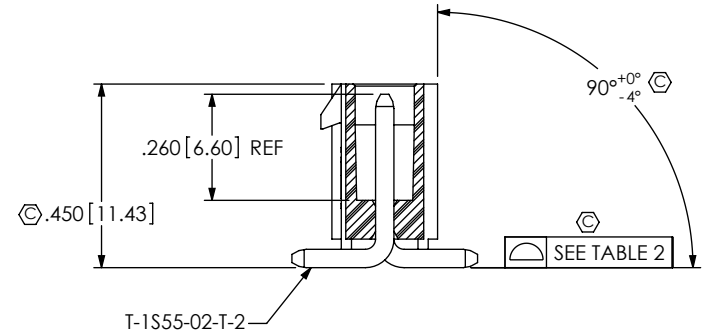
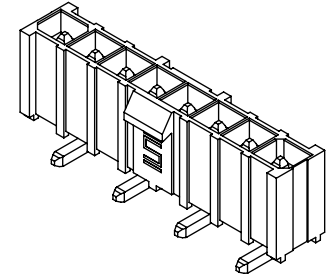


TABLE 2	
No OF POSITIONS	COPLANARITY
-02 THRU -08	.004[.10]
-09 & -10	.006[.15]

FIG 3

STYLE -H2: SURFACE MOUNT  
(IPBT-108-H2-XX-S SHOWN)  
(DIFFERENT AS SHOWN, OTHERWISE SAME AS FIG 1)

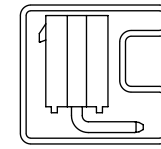


SECTION "C"-"C"

PACKAGING VIEW

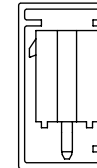
[PARTS TO HAVE POSITION #1 LOADED IN SAME DIRECTION AS ARROW ON TUBE]

RIGHT ANGLE



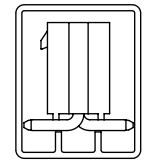
TUBE: PT-1-24-01-40  
PLUG: TP-13

THROUGH HOLE



TUBE: PT-1-24-06-51  
PLUG: TP-07

SURFACE MOUNT

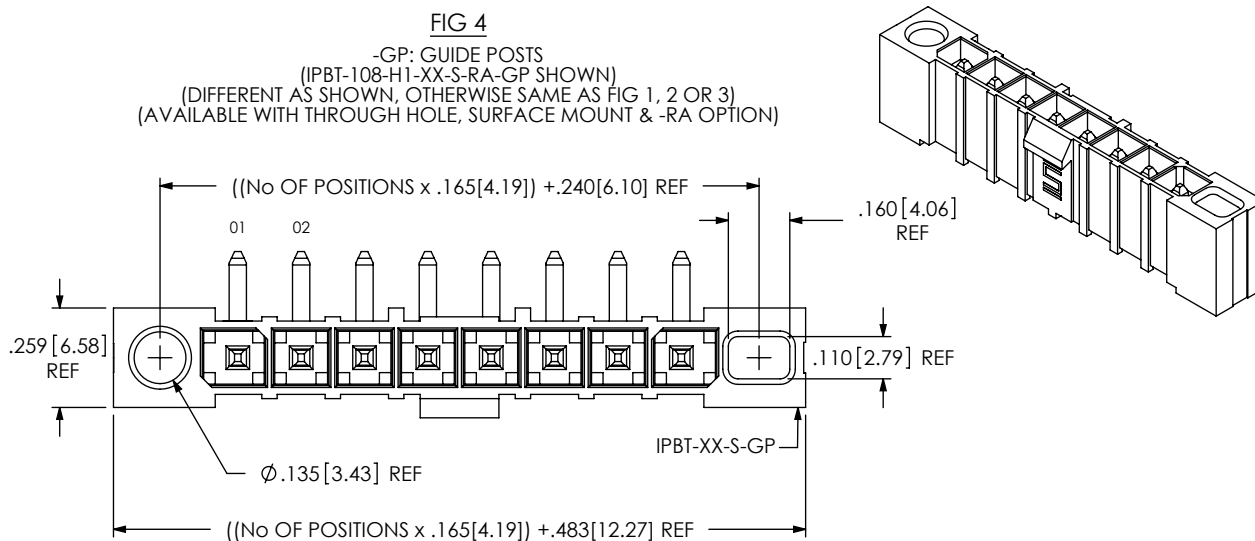


TUBE: PT-1-24-01-58  
PLUG: TP-13

F:\DWG\MISC\MKTG\IPBT-1XX-XX-XX-S-XX-MKT.SLDDRW

FIG 4

-GP: GUIDE POSTS  
(IPBT-108-H1-XX-S-RA-GP SHOWN)  
(DIFFERENT AS SHOWN, OTHERWISE SAME AS FIG 1, 2 OR 3)  
(AVAILABLE WITH THROUGH HOLE, SURFACE MOUNT & -RA OPTION)



PROPRIETARY NOTE

THIS DOCUMENT CONTAINS INFORMATION CONFIDENTIAL AND PROPRIETARY TO SAMTEC, INC. AND SHALL NOT BE REPRODUCED OR TRANSFERRED TO OTHER DOCUMENTS OR DISCLOSED TO OTHERS OR USED FOR ANY PURPOSE OTHER THAN THAT WHICH IT WAS OBTAINED WITHOUT THE EXPRESSED WRITTEN CONSENT OF SAMTEC, INC.

DO NOT SCALE DRAWING

SHEET SCALE: 2:1



520 PARK EAST BLVD, NEW ALBANY, IN 47150  
PHONE: 812-944-6733 FAX: 812-948-5047  
e-Mail: info@SAMTEC.com code 55322

DESCRIPTION: .165 SINGLE ROW TERMINAL ASSEMBLY

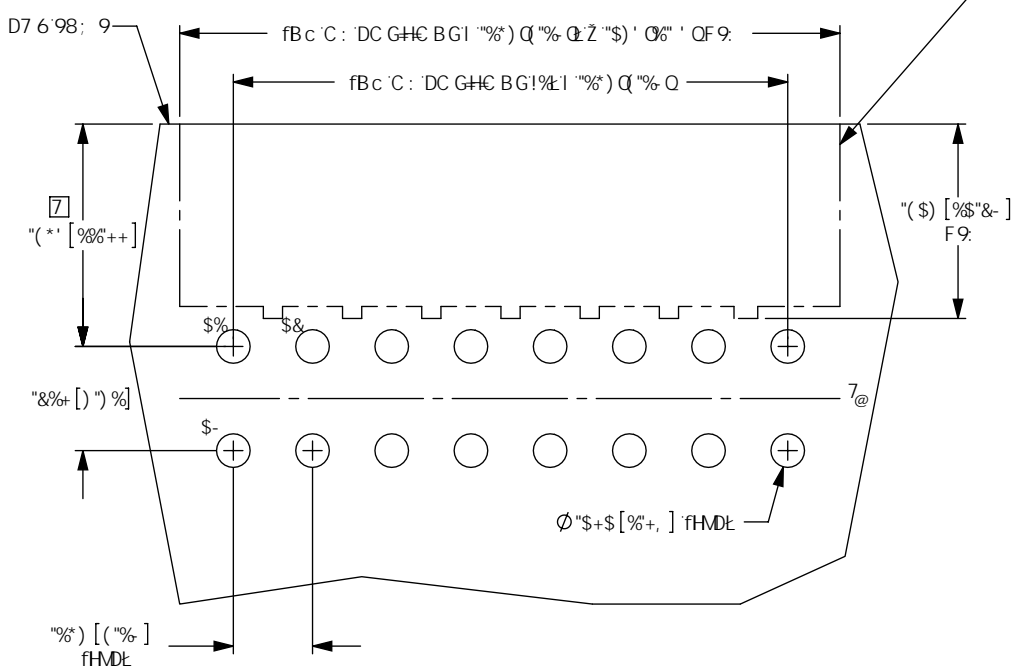
DWG. NO. IPBT-1XX-XX-XX-S-XX

BY: KEVIN B 05/06/03 SHEET 3 OF 3

8CI 6@FCK

@5MCI HG<CK B : CF D6H\$, !<%L!8!F5

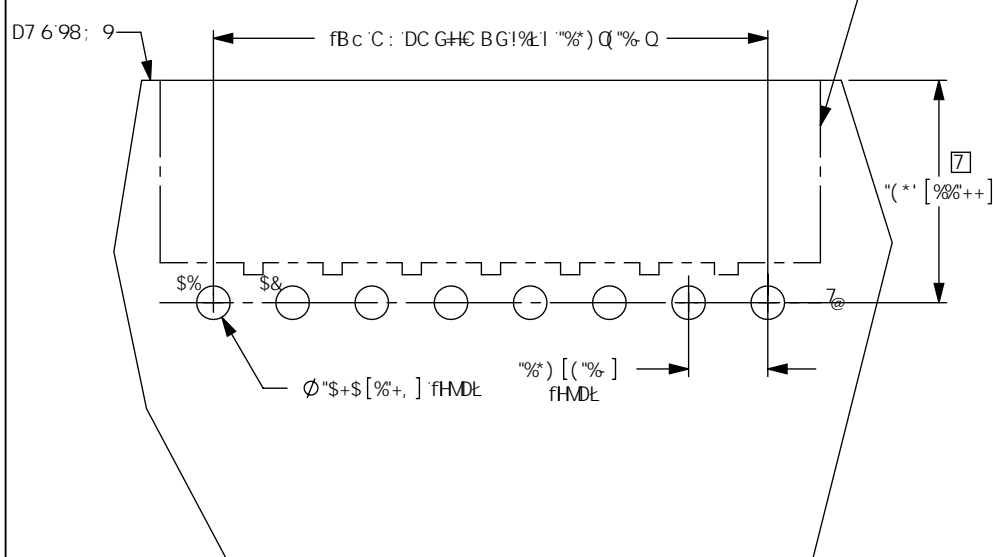
7CBB97 HCF CI H@B9



G-B: @FCK

f' B CHF 9@5G98 : CF DFC 8I 7 HCB  
f@5MCI HG<CK B : CF D6H\$, !<%L!QF5L

7CBB97 HCF CI H@B9



DFC DF 9-5 FMBC H9  
 H: 68C 71A 9B H7 C B5 8B 8: C FA 5HC B  
 7CB: 89B5 @5B8 DFC DF 95FMC  
 GSA H7 Z B7 5B8 G: 5 @B C H69 F9DC 81 7 98  
 CF H5B G 9F 98 HC C H: 9F BC 71A 9B HCF  
 B 67 @C 98 HC C H: 9F GCF I 98: CF 5BM  
 DI DFC 99C H: 9F H: 5B H: 5HK < 7 - HK 5G  
 C 65-B 98 K H: C1 H H: 9 9L DF 9098 K F H@B  
 7CB 98HC: GSA H7 Z B7



) & \$ D5F? 95 GH6 @ 8z B9K 5 @5B Mz-B (( +) \$  
 D< CB9. %&l- ((! \* + ' ..... 5L.; %&l- (.) \$ (+  
 YIA UJ] bZc 4 GSA H7 "Wc a ..... Wc XY '))' &&