

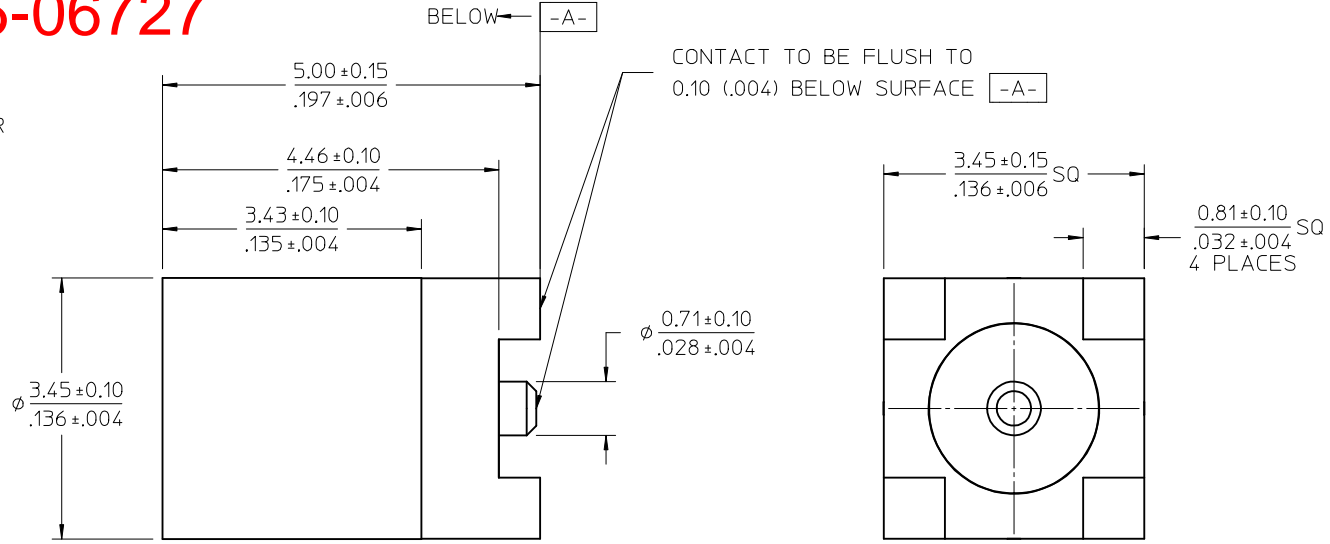
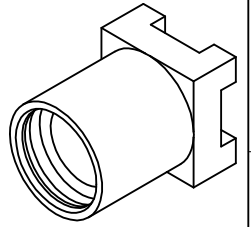
MATERIALS AND FINISHES

BODY BRASS
PLATED GOLD

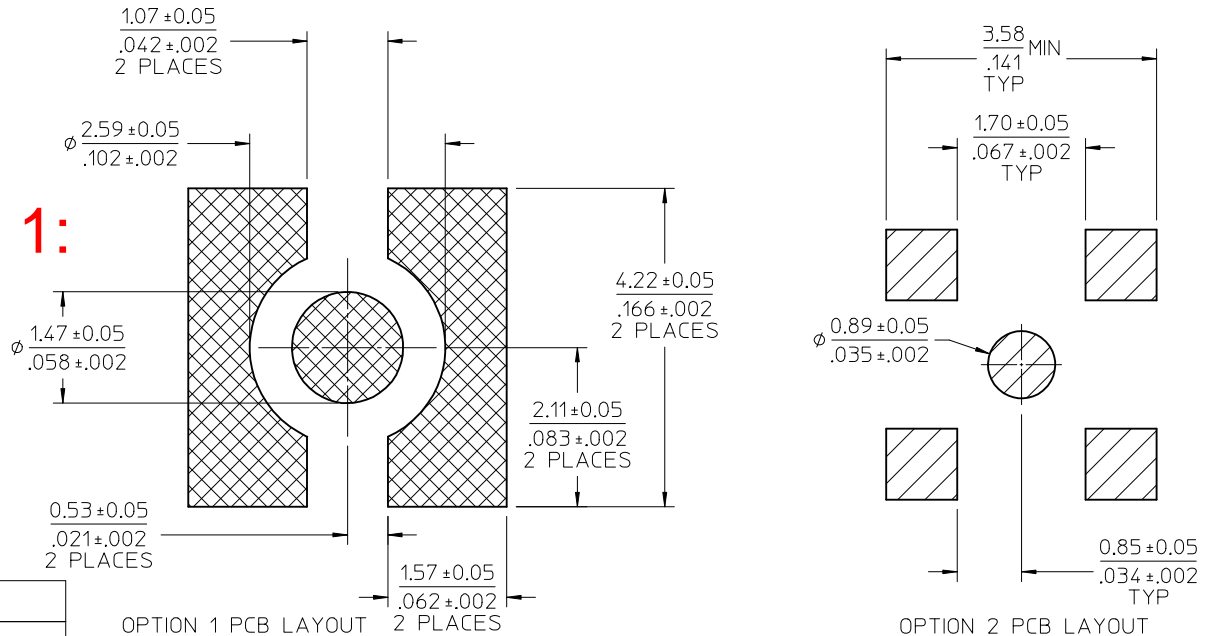
CENTER CONTACT BERYLLIUM COPPER
PLATED GOLD

INSULATOR TEFLON

25-06727



Use Option 1:



PS-89675-1920	ELECTRO/MECH PERFORM.
SPECIFICATION	DESCRIPTION

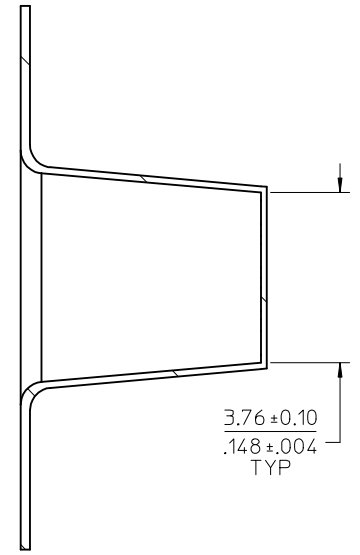
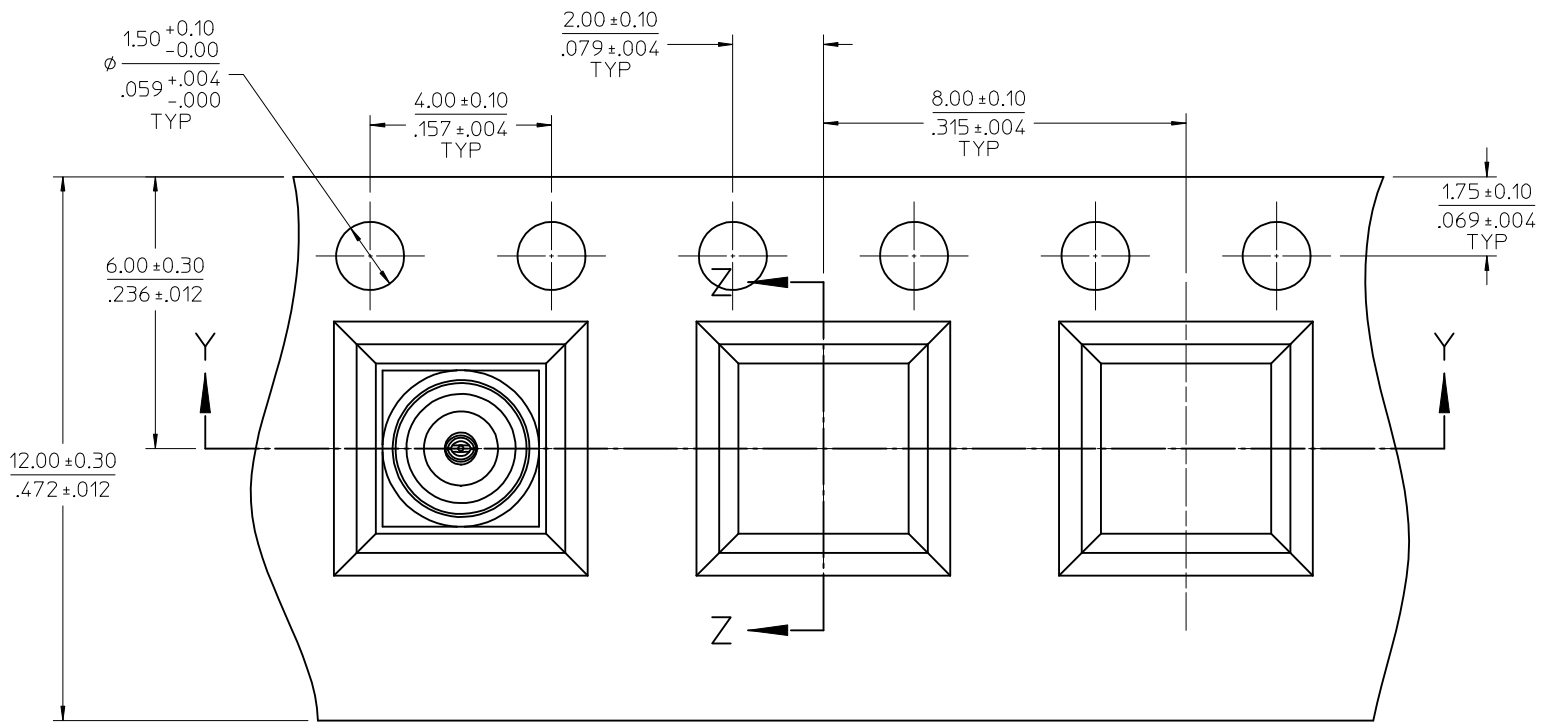
73415-2065	73415-2061 WITH TAPE & REEL, NO KAPTON
73415-2064	73415-2061. ONE PER BAG
73415-2063	73415-2061 WITH TAPE & REEL WITH KAPTON
73415-2062	73415-2060 WITH TAPE & REEL WITH KAPTON
73415-2061	PER COMMERCIAL REQUIREMENTS
73415-2060	PER MILITARY REQUIREMENTS
PART NO.	PLATING

CHG-ADDED PART NO. 73415-2065 SP-201312619	EC NO: URF2014-0381	QUALITY SYMBOLS ▽=0 ▽=0 ▽=0
	DRWN: YCHENG 2013/12/24	
	CHKD: APPR: HUANG 2013/12/31	
	REV: A10	

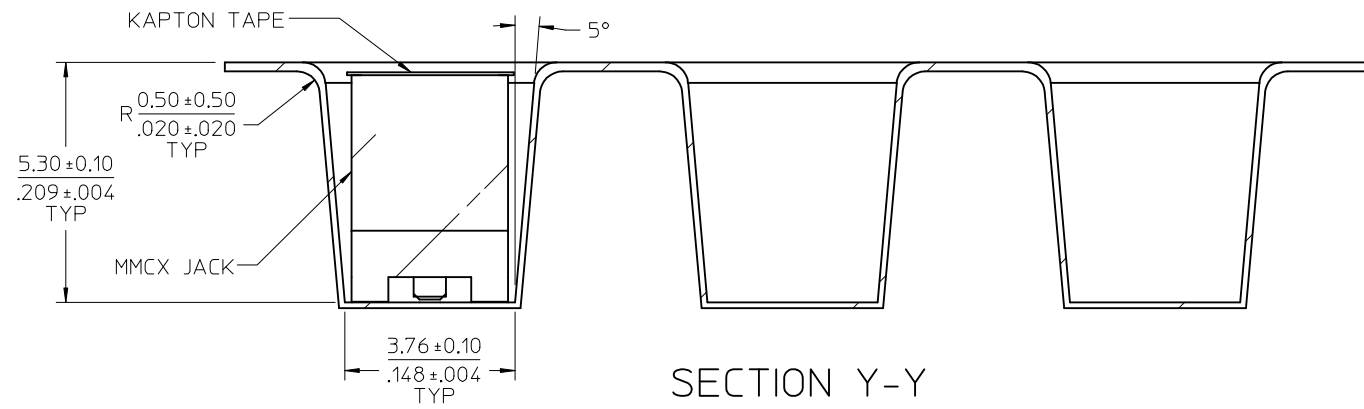
GENERAL TOLERANCES (UNLESS SPECIFIED)	
mm	INCH
4 PLACES ± .005	± .0005
3 PLACES ± .004	± .0004
2 PLACES ± .003	± .0003
1 PLACE ± .002	± .0002
0 PLACE ± .001	± .0001
ANGULAR ± 2 °	
DRAFT WHERE APPLICABLE MUST REMAIN WITHIN DIMENSIONS	

DIMENSION STYLE MM/IN	
DRAWN BY	DATE
TEF	2000/04/18
CHECKED BY	DATE
SSS	2000/04/18
APPROVED BY	DATE
GMH	2000/04/18
MATERIAL NO. SEE TABLE	
SIZE C	

SCALE	DESIGN UNITS METRIC	THIRD ANGLE PROJECTION
TITLE MMCX JACK, VERTICAL PCB/SMT 50 OHMS MMCX-J/PCB		
molex		
DOCUMENT NO. SD-73415-206	SHEET NO. 1 OF 4	



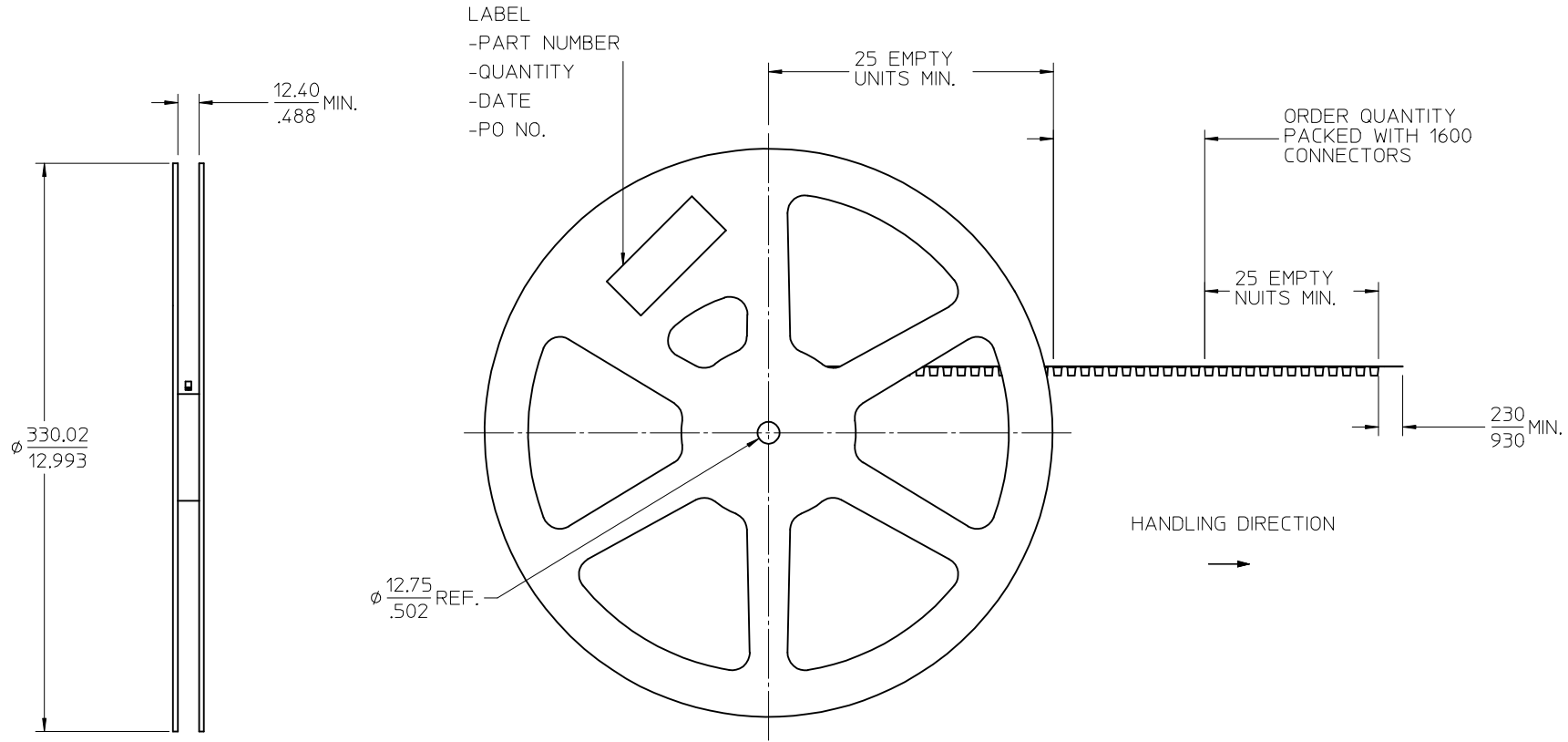
SECTION Z-Z



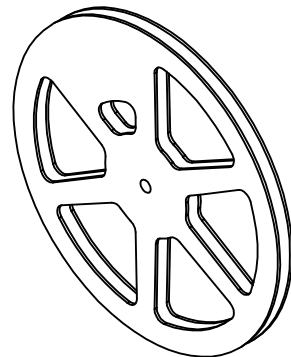
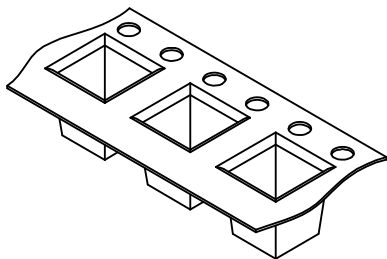
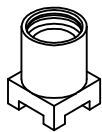
SECTION Y-Y

SEE SHEET 1 EC NO: URF2014-0381 DRWN: YCHENG 2013/12/24 CHKD: APPR: M HUANG 2013/12/31	QUALITY SYMBOLS ▽=0 ▽=0 ▽=0	GENERAL TOLERANCES (UNLESS SPECIFIED)		DIMENSION STYLE MM/IN		SCALE	DESIGN UNITS METRIC	THIRD ANGLE PROJECTION	
		mm	INCH	DRAWN BY TEF	DATE 2000/04/18	TITLE MMCX JACK, VERTICAL PCB/SMT 50 OHMS MMCX-J/PCB	molex		SHEET NO. 2 OF 4
A10	DESCRIPTION REV	4 PLACES ± --- ± ---		CHECKED BY SSS		DATE 2000/04/18		DOCUMENT NO. SD-73415-206	
		3 PLACES ± --- ± ---		APPROVED BY GMH		DATE 2000/04/18		THIS DRAWING CONTAINS INFORMATION THAT IS PROPRIETARY TO MOLEX INCORPORATED AND SHOULD NOT BE USED WITHOUT WRITTEN PERMISSION	
		2 PLACES ± --- ± ---		MATERIAL NO.		SEE SHEET 1			
		1 PLACE ± --- ± ---		ANGULAR ± 2 °					
		0 PLACE ± ±		DRAFT WHERE APPLICABLE MUST REMAIN WITHIN DIMENSIONS					

NOTE:
13" REEL SIZE FOR 1600 PIECES

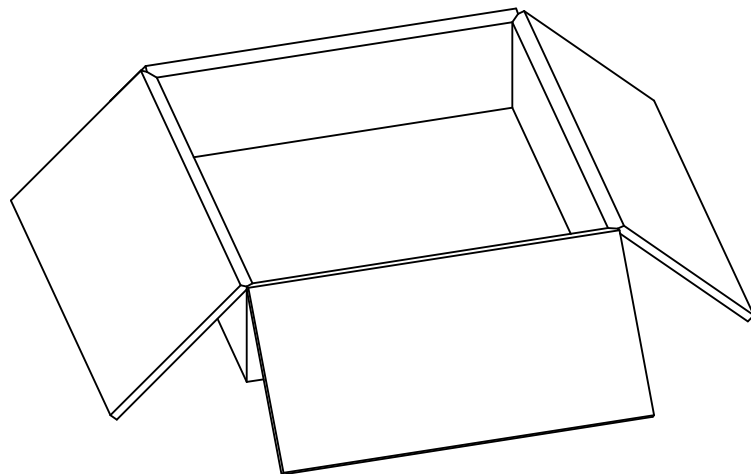


SEE SHEET 1 EC NO: URF2014-0381 DRAWN: CHENG CHKD: APPR: MHIANG 2013/12/24 2013/12/31	QUALITY SYMBOLS = 0 = 0 = 0	GENERAL TOLERANCES (UNLESS SPECIFIED) <table border="1"> <tr> <th></th> <th>mm</th> <th>INCH</th> </tr> <tr> <td>4 PLACES</td> <td>± .15</td> <td>± .006</td> </tr> <tr> <td>3 PLACES</td> <td>± .20</td> <td>± .008</td> </tr> <tr> <td>2 PLACES</td> <td>± .30</td> <td>± .012</td> </tr> <tr> <td>1 PLACE</td> <td>± .50</td> <td>± .020</td> </tr> <tr> <td>0 PLACE</td> <td>± .75</td> <td>± .030</td> </tr> </table>		mm	INCH	4 PLACES	± .15	± .006	3 PLACES	± .20	± .008	2 PLACES	± .30	± .012	1 PLACE	± .50	± .020	0 PLACE	± .75	± .030	DIMENSION STYLE MM/IN DRAWN BY: TEF DATE: 2000/04/18 CHECKED BY: SSS DATE: 2000/04/18 APPROVED BY: GMH DATE: 2000/04/18	SCALE DESIGN UNITS METRIC THIRD ANGLE PROJECTION	TITLE MMCX JACK, VERTICAL PCB/SMT 50 OHMS MMCX-J/PCB molex
		mm	INCH																				
	4 PLACES	± .15	± .006																				
	3 PLACES	± .20	± .008																				
2 PLACES	± .30	± .012																					
1 PLACE	± .50	± .020																					
0 PLACE	± .75	± .030																					
MATERIAL NO. SEE SHEET 1	DOCUMENT NO. SD-73415-206	SHEET NO. 3 OF 4																					
DRAFT WHERE APPLICABLE MUST REMAIN WITHIN DIMENSIONS			THIS DRAWING CONTAINS INFORMATION THAT IS PROPRIETARY TO MOLEX INCORPORATED AND SHOULD NOT BE USED WITHOUT WRITTEN PERMISSION																				
REV: A10			SIZE: C																				



PART NO.
73415-2062/73415-2063/73415-2065

1600 SET PER 13" REEL



8000 CONNECTORS PER
OUTER CARTON BOX
339 X 339 X 100 REF.

SEE SHEET 1
EC NO: URF2014-0381
DRAWN: CHENG 2013/12/24
CHKD:
APPR: MHIANG 2013/12/31

REV	DESCRIPTION

QUALITY SYMBOLS	
	=0
	=0
	=0
	=0
	=0

GENERAL TOLERANCES (UNLESS SPECIFIED)	
	mm
4 PLACES	± .005
3 PLACES	± .004
2 PLACES	± .003
1 PLACE	± .002
0 PLACE	± .001

DIMENSION STYLE	
MM/IN	
DRAWN BY	TEF
DATE	2000/04/18
CHECKED BY	SSS
DATE	2000/04/18
APPROVED BY	GMH
DATE	2000/04/18

SCALE	DESIGN UNITS	THIRD ANGLE PROJECTION
METRIC	METRIC	
TITLE		SHEET NO.
MMCX JACK, VERTICAL PCB/SMT 50 OHMS MMCX-J/PCB		4 OF 4
MATERIAL NO.		DOCUMENT NO.
SEE SHEET 1		SD-73415-206

THIS DRAWING CONTAINS INFORMATION THAT IS PROPRIETARY TO MOLEX INCORPORATED AND SHOULD NOT BE USED WITHOUT WRITTEN PERMISSION