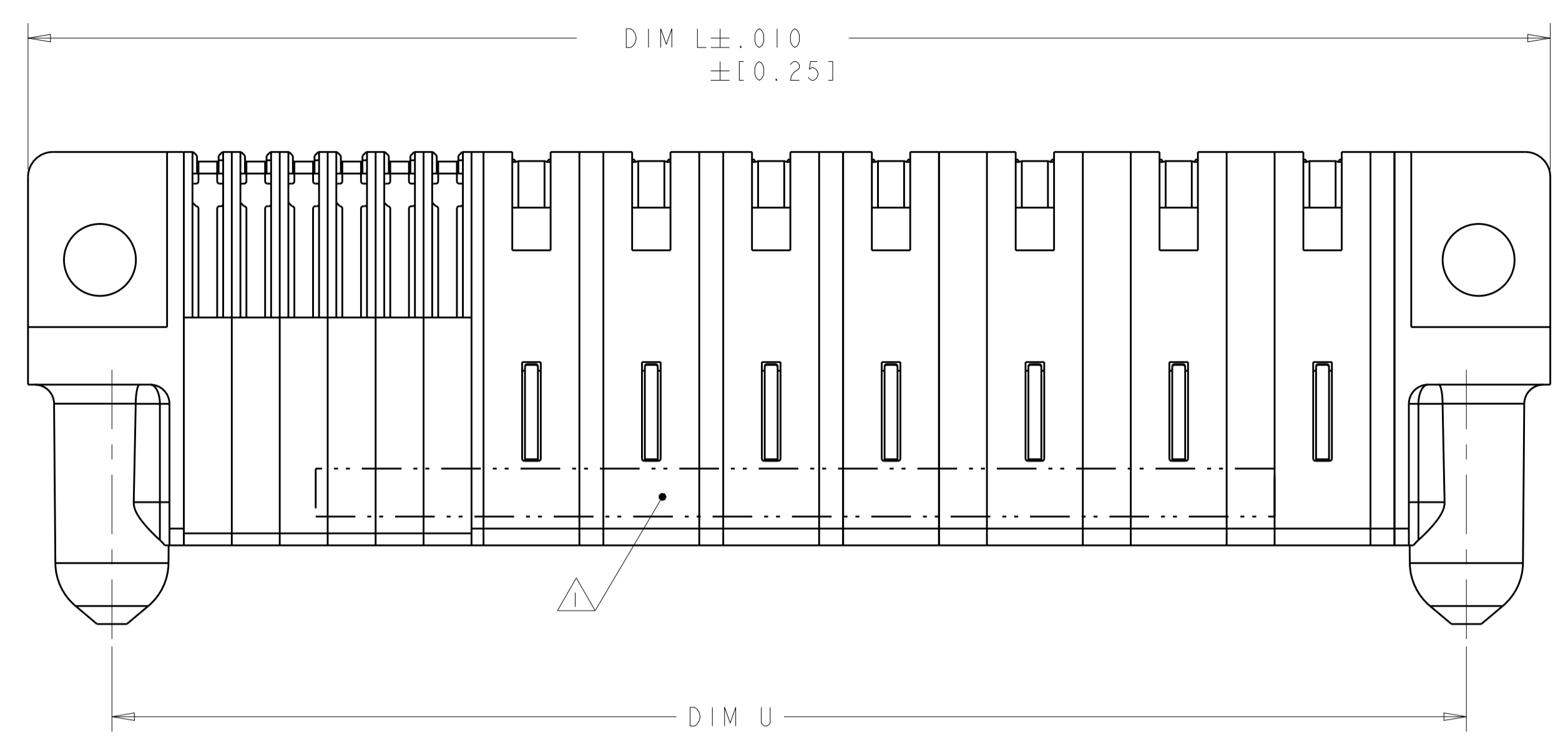
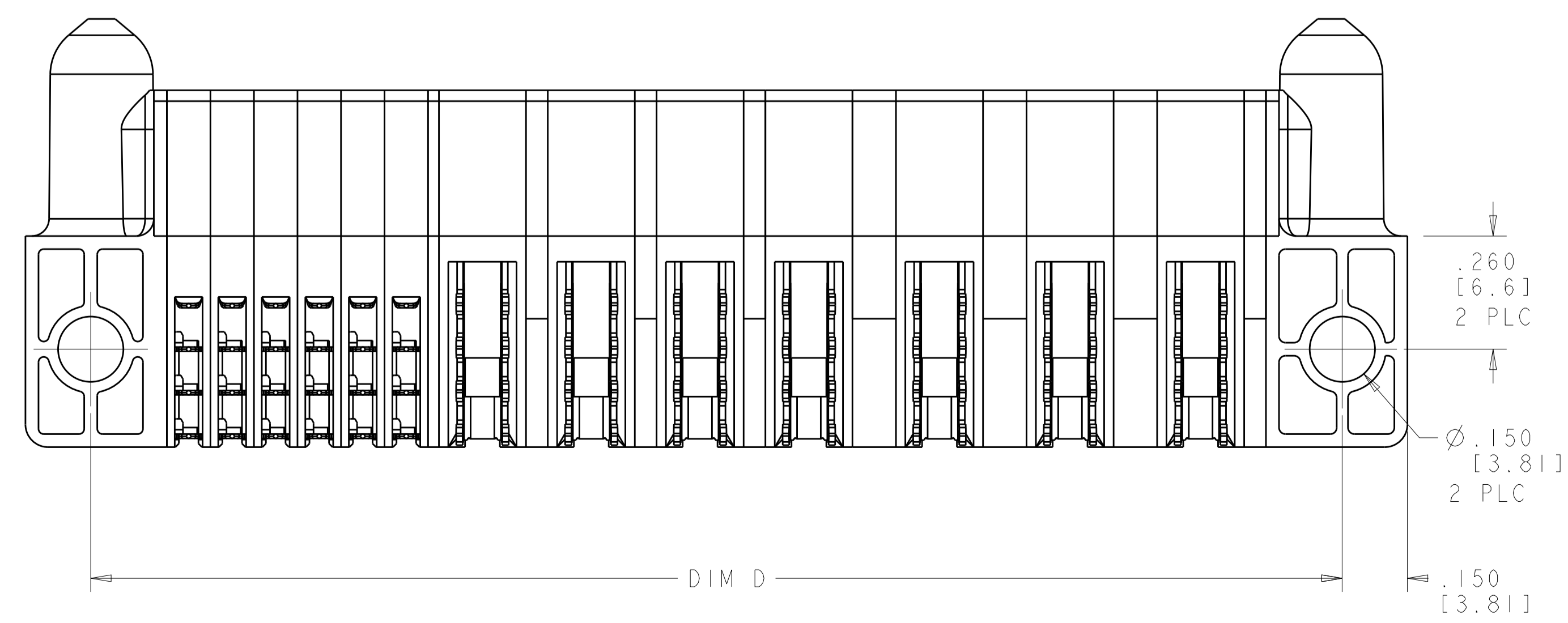
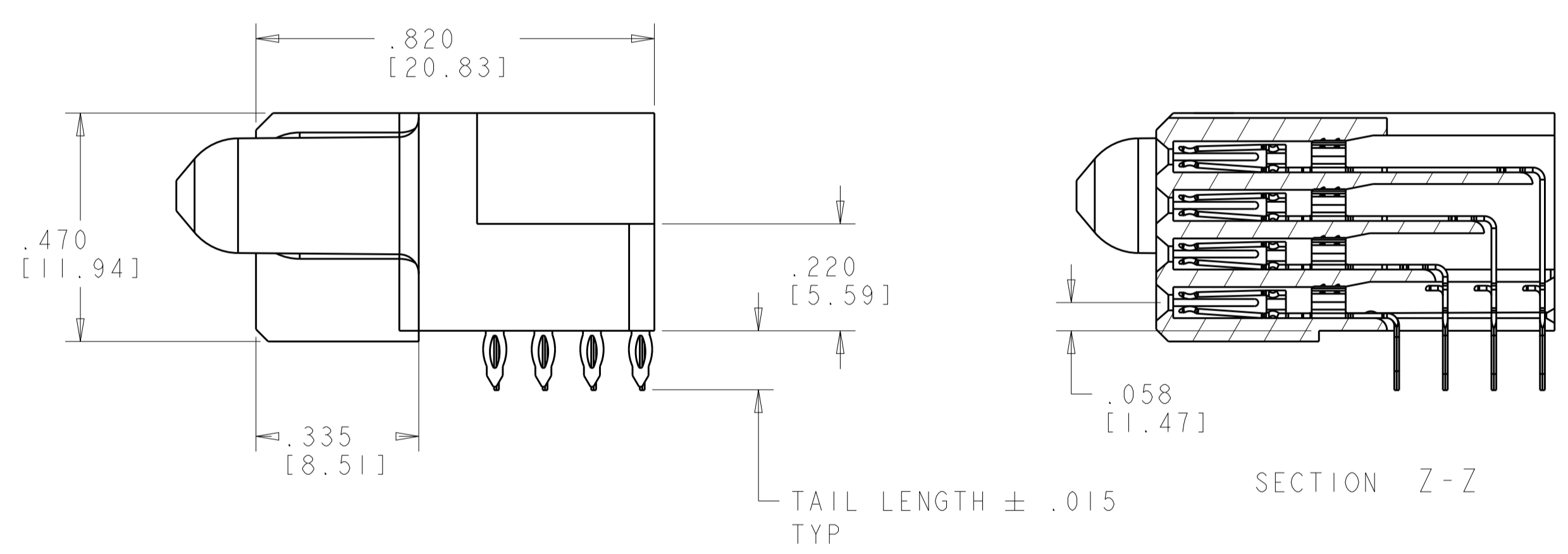
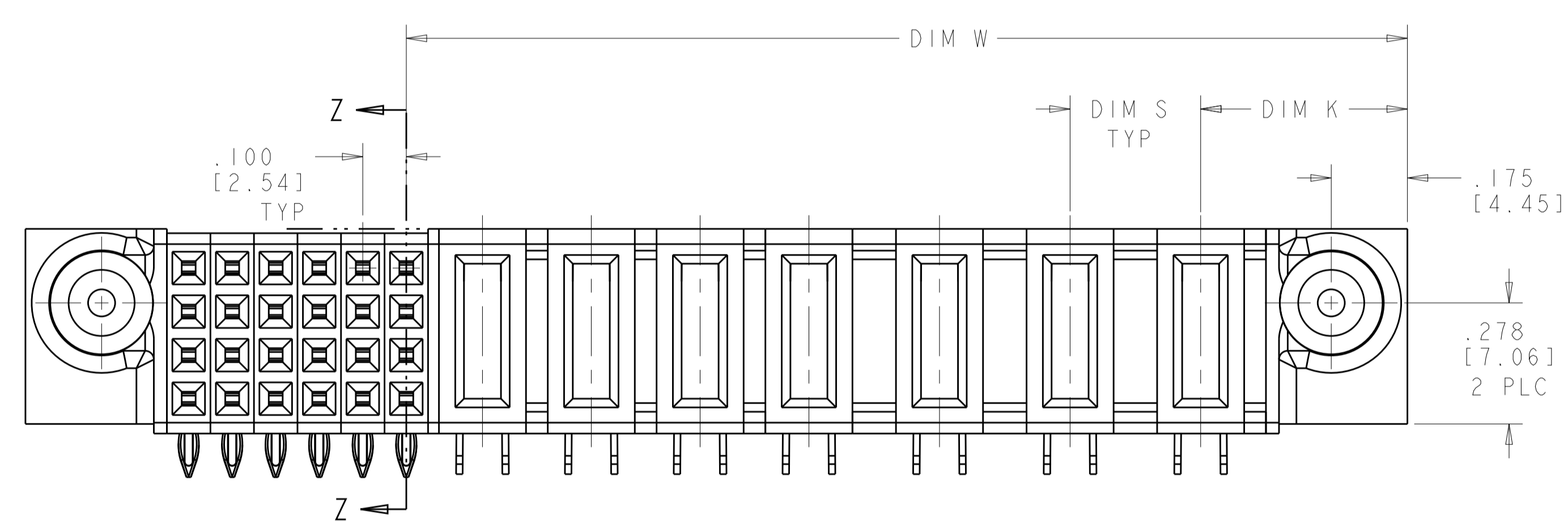


LOC		DIST		REVISIONS			
ES	00	P	LTH	DESCRIPTION	DATE	DWN	APVD
		C5		REV PER ECR-13-004638	20MAR2013	ML	SZ



- 1 "AMP", PART NUMBER AND DATE CODE TO BE MARKED IN AREA SHOWN. PARTS UNDER 2.00 LONG MAY BE MARKED ON BOTH SIDES.
- 2 MATERIAL: HOUSING - GLASS FILLED HIGH TEMP THERMO PLASTIC, UL94 V-0.
SIGNAL CONTACT - HIGH CONDUCTIVITY COPPER ALLOY
POWER CONTACT - HIGH CONDUCTIVITY COPPER ALLOY
- 3 CONTACT PLATING: NOBLE METAL PLATING ON CONTACT FUNCTIONAL AREA OF POWER AND SIGNAL CONTACTS
- 4 MECHANICAL CONNECTOR KEEP OUT ZONE.
- 5 DATUM AND BASIC DIMENSIONS ESTABLISHED BY CUSTOMER.
- 6 PCB - ALL HOLE DIAMETERS ARE FINISHED HOLE SIZES
- 7 PCB - .0453±.0010[1.151±0.025] DRILLED HOLES PLATED WITH .0003[0.008] MIN Sn OVER .001[0.03] TO .003[0.08] Cu PLATING TO ACHIEVE A .040[1.02] DIAMETER HOLE
- 8 VARIABLE DIMENSION SHOW ON TABLE.



3.325[84.46]	△8	2.800[71.12]	3.375[85.73]	3.675[93.35]	.425[11.80]	3ACP + 6P + 24S	6450572-5
2.150[54.61]	.200[5.08]	1.625[41.28]	2.200[55.88]	2.500[63.50]	.450[11.43]	6P + 24S	6450572-4
3.900[99.06]	.250[6.35]	3.375[85.73]	3.950[100.33]	4.250[107.95]	.450[11.43]	12P + 24S	6450572-3
3.875[98.43]	△8	3.550[90.17]	3.925[99.70]	4.225[107.32]	.475[12.07]	3ACP + 9P + 16S	6450572-2
2.825[71.76]	△8	2.300[58.42]	2.875[73.03]	3.175[80.65]	.475[12.07]	3ACP + 4P + 24S	6450572-1
U	S	W	D	L	K	DESCRIPTION	PART NUMBER

THE DRAWING IS UNPUBLISHED. RELEASED FOR PUBLICATION BY TYCO ELECTRONICS CORPORATION. ALL RIGHTS RESERVED.

DIMENSIONS: INCHES/[MM]

TOLERANCES UNLESS OTHERWISE SPECIFIED:

0 PLC	±.010
1 PLC	±.015
2 PLC	±.020
3 PLC	±.030
4 PLC	±.050
ANGLES	±.0020

MATERIAL: △2

FINISH: △3

DWN: R. GRZYBOWSKI 11JAN05

CHK: M. PERCHERKE 11JAN05

APVD: M. PERCHERKE

NAME: Tyco Electronics Corporation

PRODUCT SPEC: 108-1973

APPLICATION SPEC: 114-13038

WEIGHT: -

CUSTOMER DRAWING

SCALE: 4:1

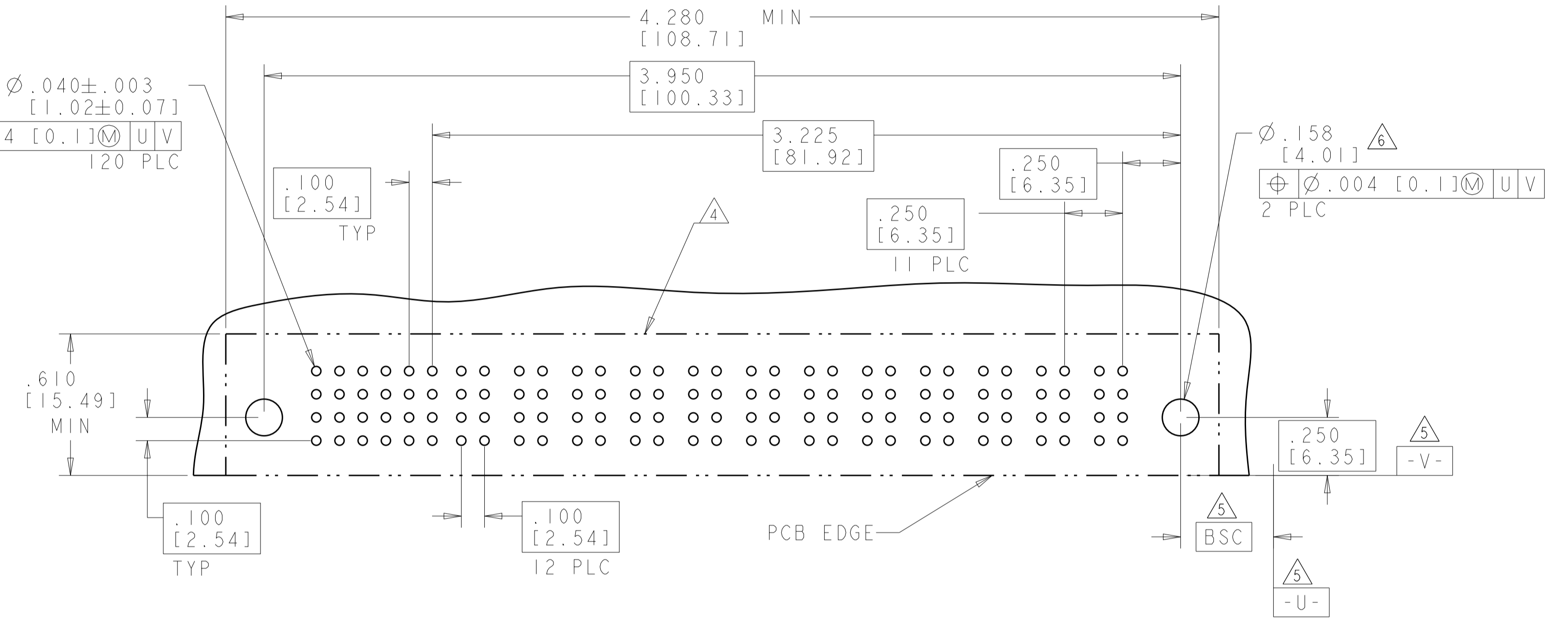
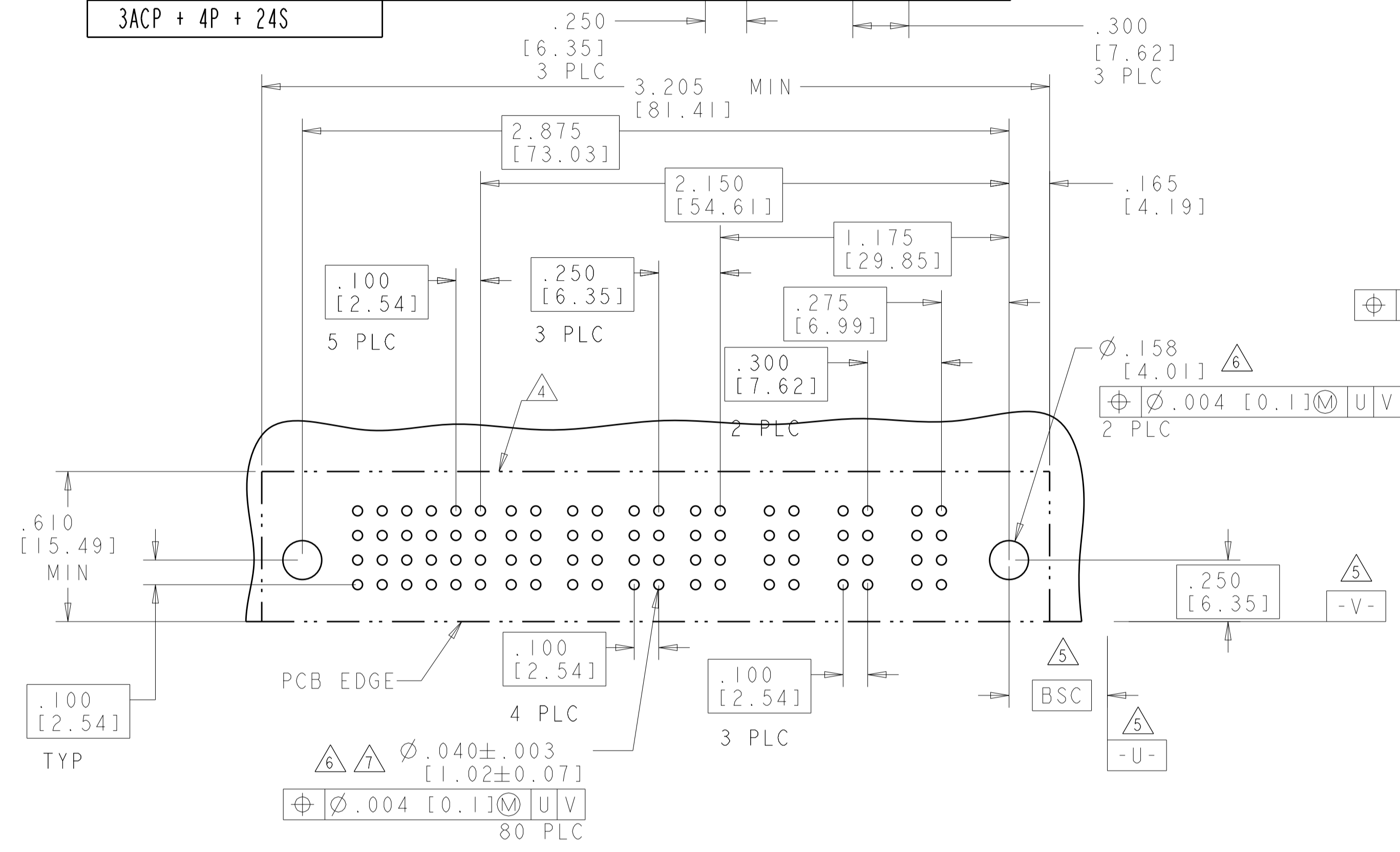
SHEET 1 OF 3

REV: C5

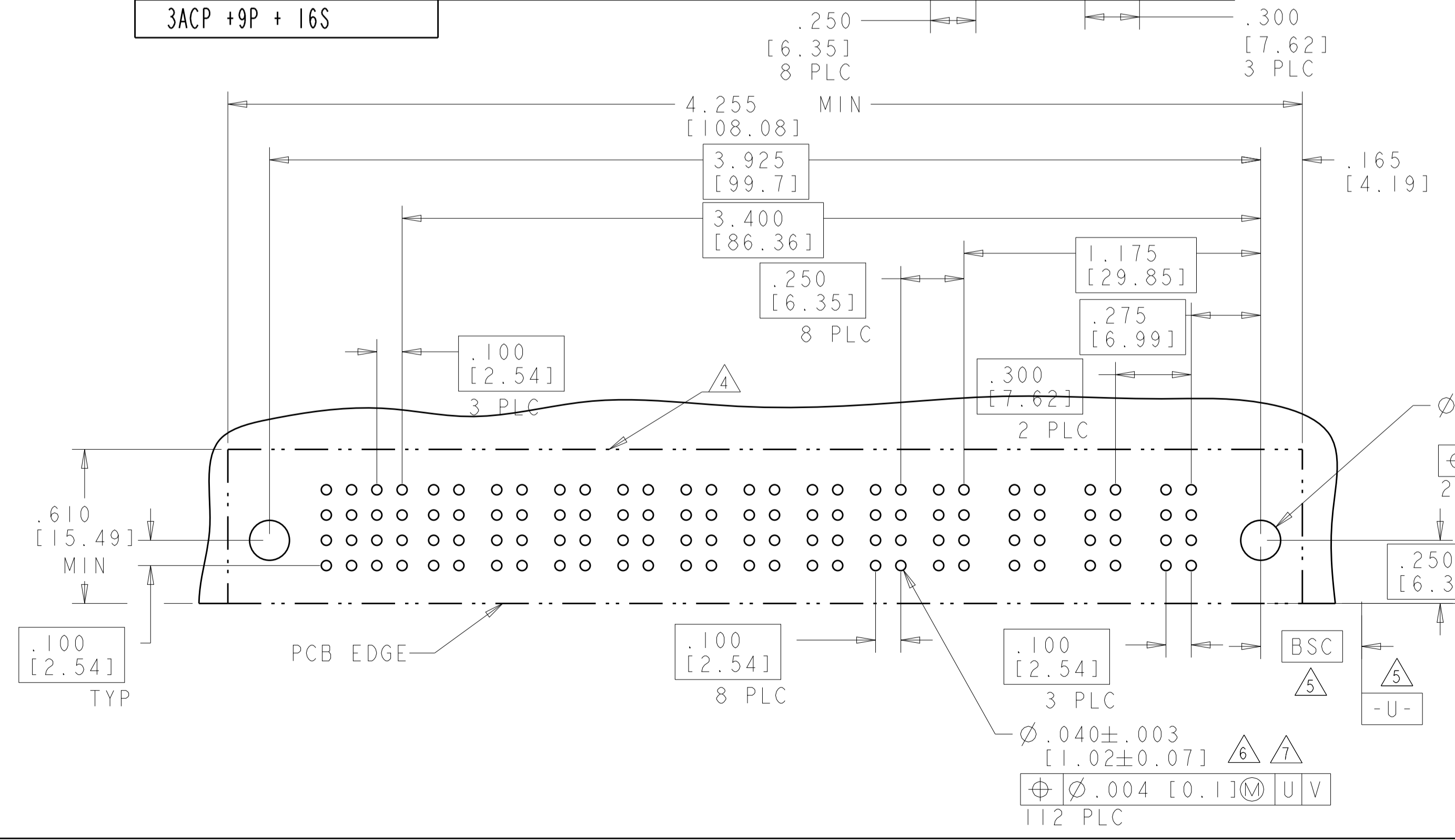
LOC	DIST	REV	DATE	APPD
ES	00			

PART NUMBER	ROWS	SIGNAL						POWER						
		6	5	4	3	2	1	P7	P6	P5	P4	P3	P2	P1
6450572-1	D	D	D	D	D	D	D	RS	RS	RS	RS	RP	RS	RS
	C	C	C	C	C	C	C	RS	RS	RS	RS	RP	RS	RS
	B	B	B	B	B	B	B	RS	RS	RS	RS	RP	RS	RS
	A	A	A	A	A	A	A	RS	RS	RS	RS	RP	RS	RS

PART NUMBER	ROWS	SIGNAL						POWER											
		6	5	4	3	2	1	P12	P11	P10	P9	P8	P7	P6	P5	P4	P3	P2	P1
6450572-3	D	D	D	D	D	D	D	RP	RP	RP	RS	RS	RS	RS	RS	RS	RP	RP	RP
	C	C	C	C	C	C	C	RP	RP	RP	RS	RS	RS	RS	RS	RS	RP	RP	RP
	B	B	B	B	B	B	B	RP	RP	RP	RS	RS	RS	RS	RS	RS	RP	RP	RP
	A	A	A	A	A	A	A	RP	RP	RP	RS	RS	RS	RS	RS	RS	RP	RP	RP



PART NUMBER	ROWS	SIGNAL				POWER											
		4	3	2	1	P12	P11	P10	P9	P8	P7	P6	P5	P4	P3	P2	P1
6450572-2	D	D	D	D	D	RS	RS	RP	RP	RP	RP	RS	RS	RS	RP	RS	RS
	C	C	C	C	C	RS	RS	RP	RP	RP	RP	RS	RS	RS	RP	RS	RS
	B	B	B	B	B	RS	RS	RP	RP	RP	RP	RS	RS	RS	RP	RS	RS
	A	A	A	A	A	RS	RS	RP	RP	RP	RP	RS	RS	RS	RP	RS	RS



CODE	DESCRIPTION	ROW
DD	SIGNAL CONTACT, PRESS-FIT, 165 TAIL LENGTH,	D
CC	SIGNAL CONTACT, PRESS-FIT, 165 TAIL LENGTH,	C
BB	SIGNAL CONTACT, PRESS-FIT, 165 TAIL LENGTH,	B
AA	SIGNAL CONTACT, PRESS-FIT, 165 TAIL LENGTH,	A
D	SIGNAL CONTACT, PRESS-FIT, 119 TAIL LENGTH,	D
C	SIGNAL CONTACT, PRESS-FIT, 119 TAIL LENGTH,	C
B	SIGNAL CONTACT, PRESS-FIT, 119 TAIL LENGTH,	B
A	SIGNAL CONTACT, PRESS-FIT, 119 TAIL LENGTH,	A
RK	POWER CONTACT, MFBL, PRESS FIT, .165 TAIL LENGTH,	-
RL	POWER CONTACT, STD, PRESS-FIT, .165 TAIL LENGTH,	-
RP	POWER CONTACT, MFBL, PRESS FIT, .119 TAIL LENGTH,	-
RS	POWER CONTACT, STD, PRESS-FIT, .119 TAIL LENGTH,	-

<small>THIS DRAWING IS UNPUBLISHED. RELEASED FOR PUBLICATION. COPYRIGHT 20 BY TYCO ELECTRONICS CORPORATION. ALL RIGHTS RESERVED.</small>		DWN: R. GRZYBOWSKI CHK: M. PERCHERKE APVD: M. PERCHERKE	T1JAN05 T1JAN05 NAME: M. PERCHERKE PRODUCT SPEC: 108-1973 APPLICATION SPEC: 114-13038 WEIGHT: .114-13038	Tyco Electronics Corporation Shanghai, P.R. China. 200233
DIMENSIONS: INCHES/[MM]	TOLERANCES UNLESS OTHERWISE SPECIFIED: 0 PLC ±.03 1 PLC ±.01 (0.13) 2 PLC ±.005 (0.051) 3 PLC ±.002 4 PLC ±.002 ANGLES #2	RIGHT ANGLE RECEPTACLE ASSEMBLY PRESS FIT W/GUIDES MULTI-BEAM XL	SIZE: A1 CAGE CODE: 00779 DRAWING NO: 6450572	RESTRICTED TO: C5
MATERIAL:		CUSTOMER DRAWING		SCALE: 4:1 SHEET: 2 OF 3 REV: C5

