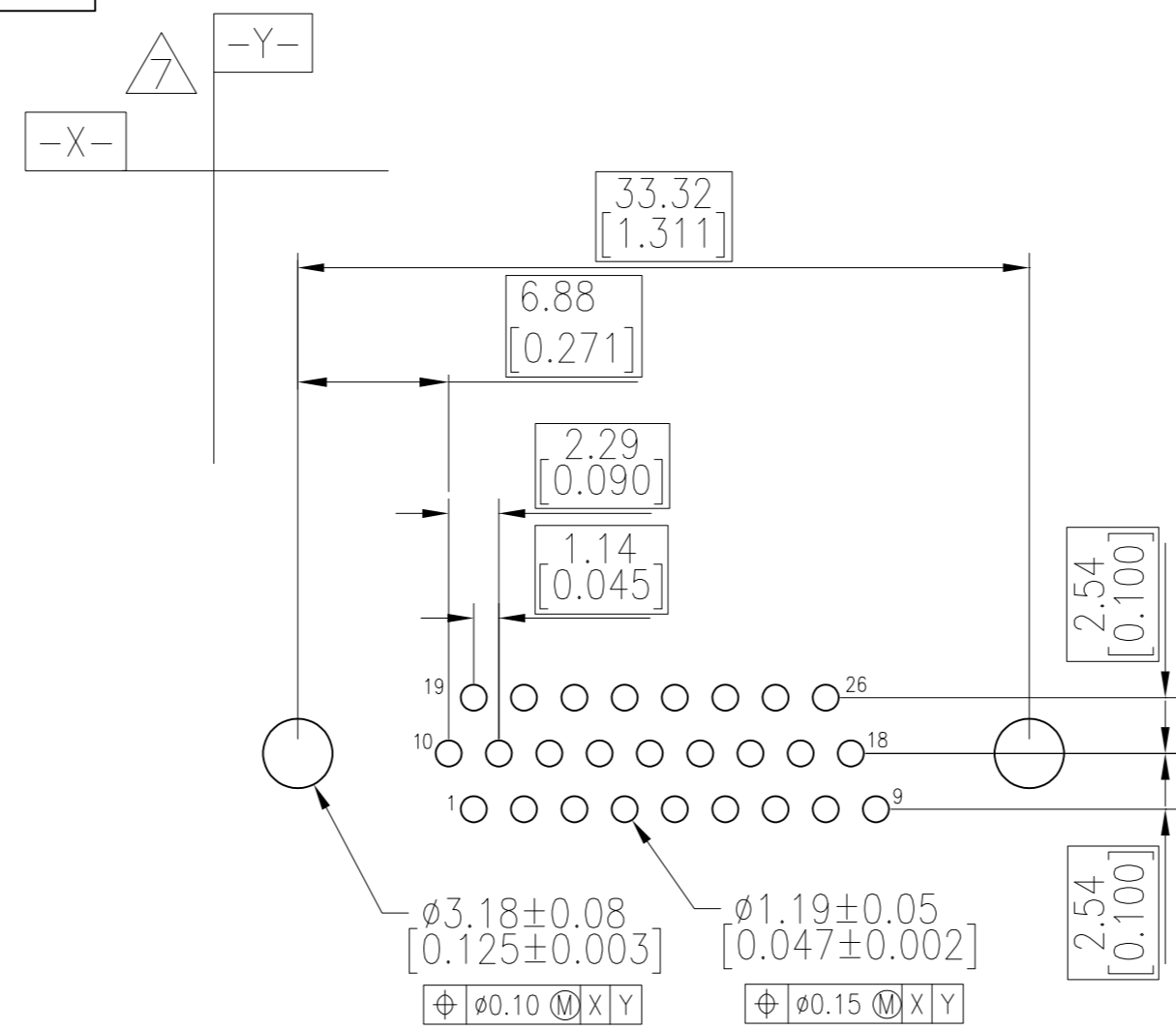
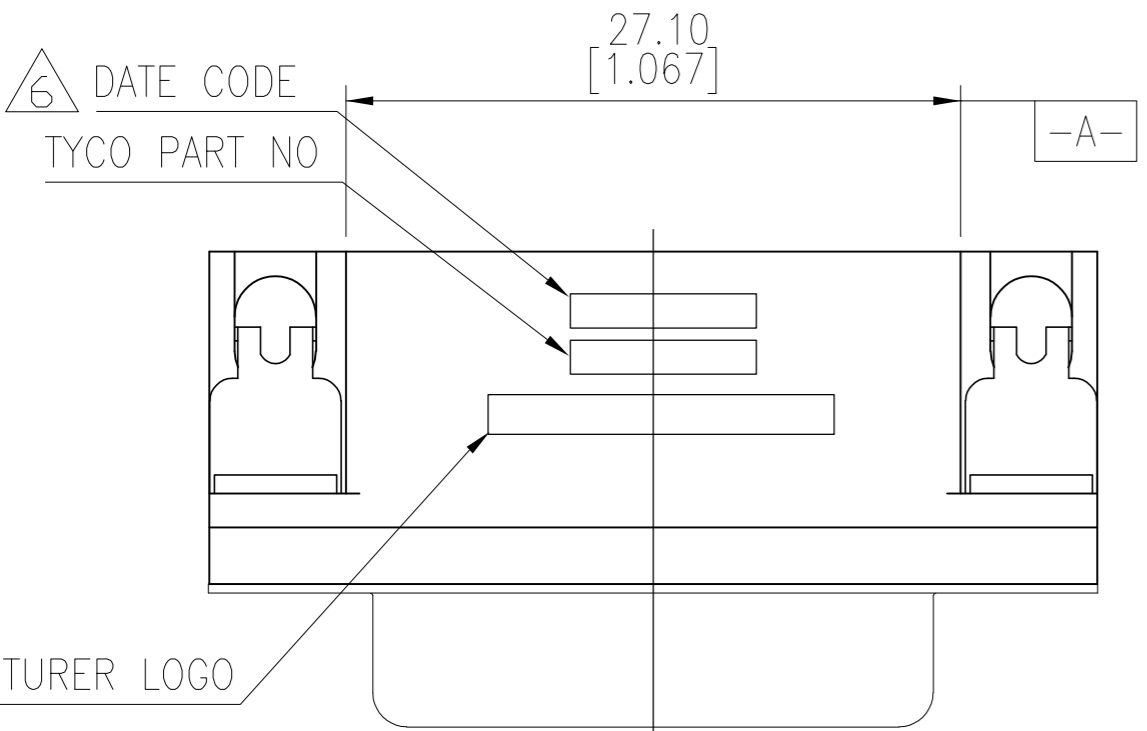


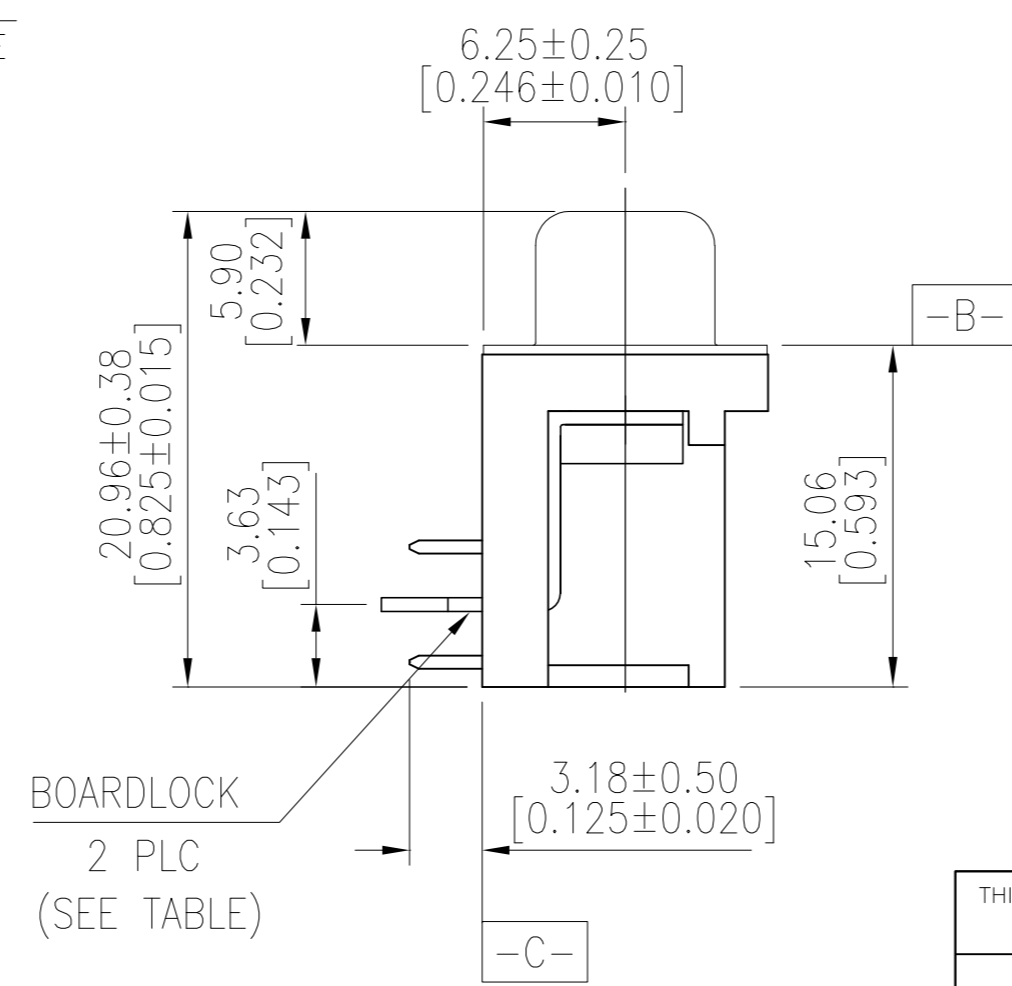
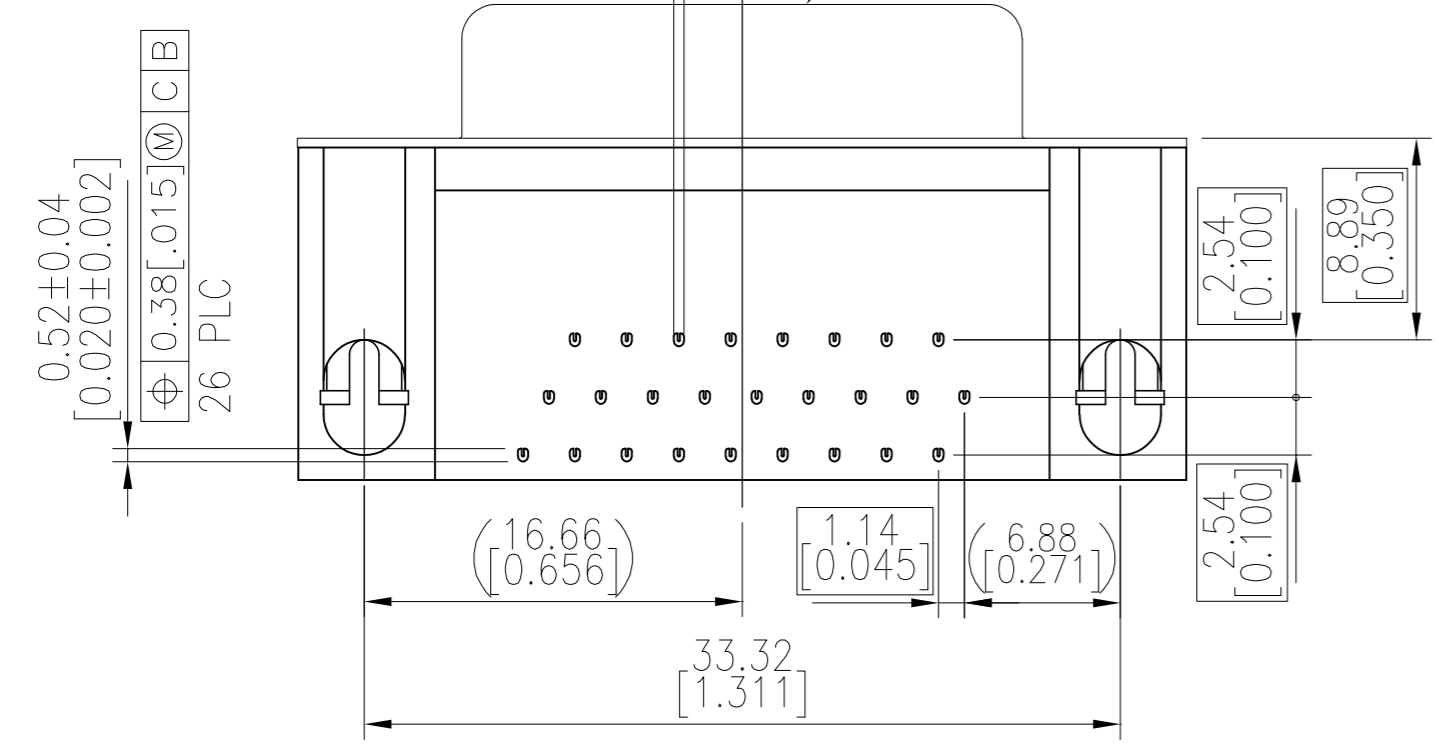
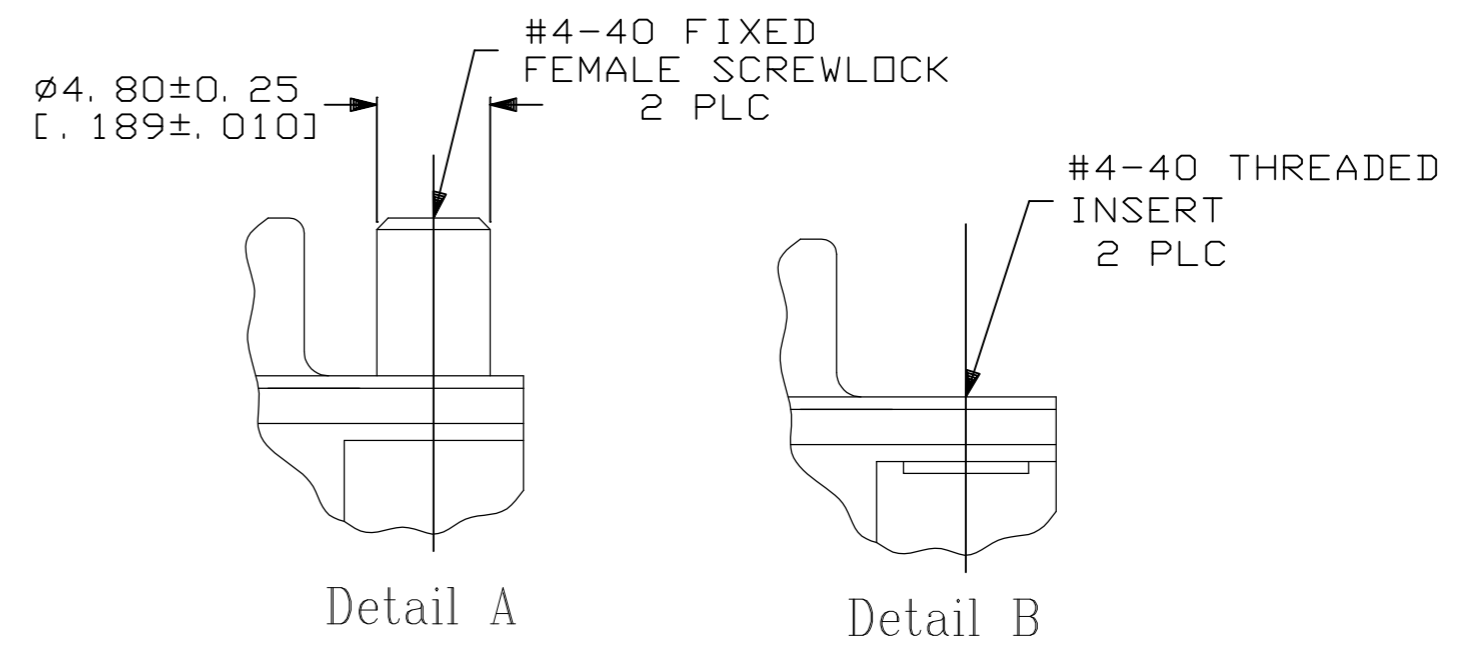
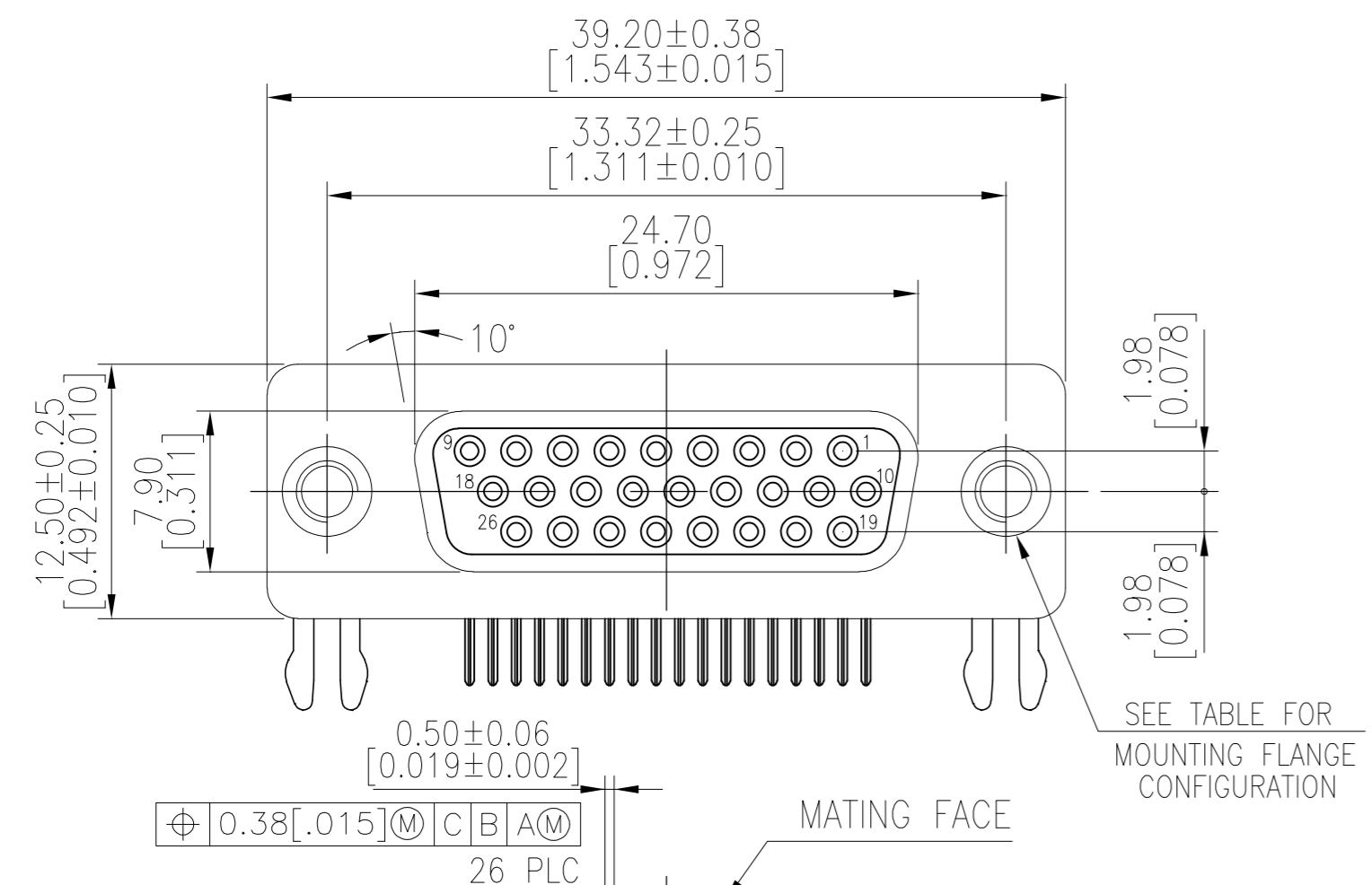
THIS DRAWING IS UNPUBLISHED. RELEASED FOR PUBLICATION
 © COPYRIGHT - By - ALL RIGHTS RESERVED.

LOC		DIST		REVISIONS			
P	LTR	DESCRIPTION		DATE	DWN	APVD	
GP	00	D1	REVISED PER ECO-11-004835		11MAR11	RK	HMR



RECOMMENDED PCB LAYOUT

- HOUSING: PBT, 30% GF POLYESTER, UL 94V-0 RATED, COLOR BLACK.
- CONTACTS: PHOSPHOR BRONZE, GOLD PLATE IN MATING AREA (SEE TABLE), 120 μ MIN TIN PLATE ON SOLDER TAIL, BOTH OVER 50 μ MIN NICKEL UNDERPLATE.
- SHELL: STEEL, NICKEL PLATE.
- BOARDLOCK: BRASS, TIN PLATE 100 μ MIN.
- FEMALE SCREWLOCK: BRASS, NICKEL PLATE 30 μ MIN.
- FOUR DIGIT DATE CODE IN THIS FORMAT.
 01 45
 YEAR MANUFACTURING WEEK
- DATUMS -X- & -Y- TO BE ESTABLISHED BY CUSTOMER.



OBSOLETE	NO	Tray	Detail B	Gold flash	2-5748481-7
OBSOLETE	NO	Tray	Detail B	15 μ MIN GOLD	2-5748481-6
OBSOLETE	YES	Tray	Detail A	Gold flash	2-5748481-5
OBSOLETE	YES	Tray	Detail A	15 μ MIN GOLD	2-5748481-4
OBSOLETE	YES	Tray	Detail B	Gold flash	2-5748481-3
OBSOLETE	YES	Tray	Detail B	15 μ MIN GOLD	2-5748481-2
	NO	Tray	Detail B	30 μ MIN GOLD	1-5748481-9
	YES	Tray	Detail A	30 μ MIN GOLD	5748481-6
	YES	Tray	Detail B	30 μ MIN GOLD	5748481-5
BOARDLOCK	Packaging	Mounting Flange	Contact Mating Area Finish	Part No	

5748481-5, 2--2, & 2--3 SHOWN

THIS DRAWING IS A CONTROLLED DOCUMENT.

DWN	R.RICHARDSON	31MAY05	 TE Connectivity	AMPLIMITE HD-22 26 POS RECEPTACLE, RIGHT ANGLE
CHK	S.BOLASH	31MAY05		
APVD	M.WALMSLEY	31MAY05		
PRODUCT SPEC				
DIMENSIONS:	TOLERANCES UNLESS OTHERWISE SPECIFIED:		NAME	
mm [INCHES]	0 PLC ± -		SIZE	CAGE CODE
	1 PLC ± 0.30		A2	00779
	2 PLC ± 0.20		DRAWING NO	RESTRICTED TO
	3 PLC ± 0.10		C=5748481	
	4 PLC ± -		SCALE	SHEET
	ANGLES ± 2°		1:1	1 of 1
MATERIAL	FINISH	WEIGHT	CUSTOMER DRAWING	REV
-	-	-		D1