

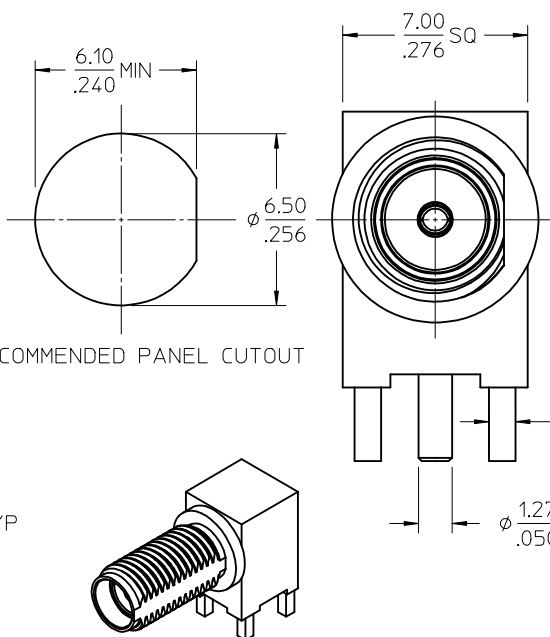
MATERIALS AND FINISHES:

BODY, JAM NUT: BRASS
FINISH: SEE TABLE

CENTER CONTACT: BERYLLIUM COPPER
PLATED GOLD

INSULATOR: TEFLON

LOCKWASHER: PHOSPHOR BRONZE
FINISH: SEE TABLE



SMA JACK
INTERFACE

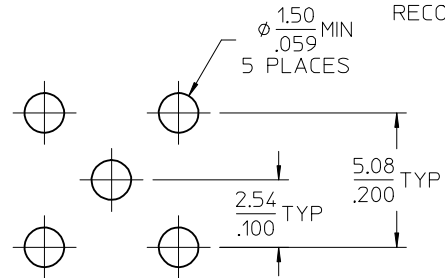
1/4-36 UNS-2A

1.00
.039 SQ
4 PLACES

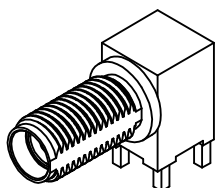
1.27
.050 REF

0.50
.020

DIM A
DIM A



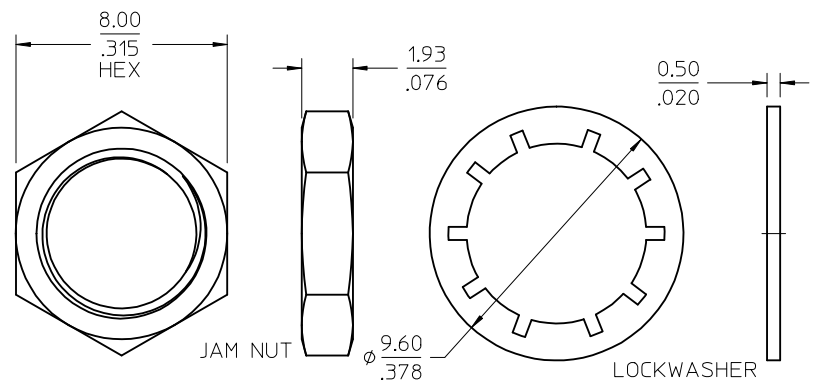
RECOMMENDED PANEL CUTOUT



RECOMMENDED PCB LAYOUT

SEE SD-73251-496 FOR PART NO. CONTINUATION

| | | | |
|------------|---|------|------|
| 73251-2209 | GOLD FLASH / STANDARD TRAY | 3.94 | .155 |
| 73251-2208 | GOLD FLASH/STANDARD TRAY W/O WASHER AND NUT | 3.94 | .155 |
| 73251-2207 | 73251-2201 PACKAGED ONE PER BAG | 2.79 | .110 |
| 73251-2206 | SAME AS 73251-2201 EXCEPT COMMERCIAL CONTACT | 2.79 | .110 |
| 73251-2205 | SAME AS 73251-2200 EXCEPT COMMERCIAL CONTACT | 2.79 | .110 |
| 73251-2204 | GOLD FLASH/STANDARD TRAY W/O WASHER AND NUT | 2.79 | .110 |
| 73251-2203 | GOLD FLASH / STANDARD TRAY (54 CAVITY) | 2.79 | .110 |
| 73251-2202 | 73251-2201 PACKAGED IN SMALL TRAY (20 CAVITY) | 2.79 | .110 |
| 73251-2201 | GOLD / STANDARD TRAY | 2.79 | .110 |
| 73251-2200 | NICKEL / STANDARD TRAY | 2.79 | .110 |
| PART NO. | PLATING (BODY, NUT, LOCKWASHER) AND PACKAGING | mm | IN |



JAM NUT

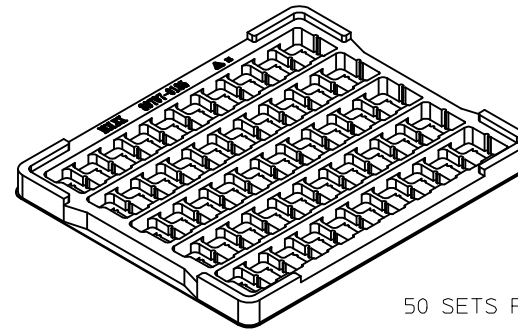
LOCKWASHER

| | |
|---------------|-----------------------|
| PS-89675-3460 | ELECTRO/MECH PERFORM. |
| SPECIFICATION | DESCRIPTION |

| CHG: ADDED NOTE FOR PART NO. CONTINUATION. EC NO: URF2013-0294 DRW: ARROBERTSON 2012/11/21 CHK: DSSS 2012/11/21 APPR: WIENER 2012/11/27 REV: D11 | QUALITY SYMBOLS ▽=0 ▽=0 | GENERAL TOLERANCES (UNLESS SPECIFIED) <table border="1"> <tr> <th></th> <th>mm</th> <th>INCH</th> </tr> <tr> <td>4 PLACES</td> <td>± .005</td> <td>± .0002</td> </tr> <tr> <td>3 PLACES</td> <td>± .005</td> <td>± .0002</td> </tr> <tr> <td>2 PLACES</td> <td>± .005</td> <td>± .0002</td> </tr> <tr> <td>1 PLACE</td> <td>± .005</td> <td>± .0002</td> </tr> </table> ANGULAR ± 2° | | mm | INCH | 4 PLACES | ± .005 | ± .0002 | 3 PLACES | ± .005 | ± .0002 | 2 PLACES | ± .005 | ± .0002 | 1 PLACE | ± .005 | ± .0002 | DIMENSION STYLE MM/IN | SCALE DESIGN UNITS METRIC | THIRD ANGLE PROJECTION |
|---|-------------------------------|---|---|--------------------|---------------------|----------|--------|---------|----------|--------|---------|----------|--------|---------|---------|--------|---------|--------------------------|---------------------------------|------------------------|
| | | mm | INCH | | | | | | | | | | | | | | | | | |
| | 4 PLACES | ± .005 | ± .0002 | | | | | | | | | | | | | | | | | |
| | 3 PLACES | ± .005 | ± .0002 | | | | | | | | | | | | | | | | | |
| 2 PLACES | ± .005 | ± .0002 | | | | | | | | | | | | | | | | | | |
| 1 PLACE | ± .005 | ± .0002 | | | | | | | | | | | | | | | | | | |
| DRAFT WHERE APPLICABLE MUST REMAIN WITHIN DIMENSIONS | DRAWN BY CLAUDE LEE | DATE 2003/08/29 | TITLE SMA JACK, R/A PCB 50 OHM SMA-J/RA/PCB EWR-2144 | MOLEX INCORPORATED | SHEET NO. 1 OF 1 | | | | | | | | | | | | | | | |
| MATERIAL NO. SEE TABLE | DOCUMENT NO. SD-73251-220 | THIS DRAWING CONTAINS INFORMATION THAT IS PROPRIETARY TO MOLEX INCORPORATED AND SHOULD NOT BE USED WITHOUT WRITTEN PERMISSION | | | | | | | | | | | | | | | | | | |

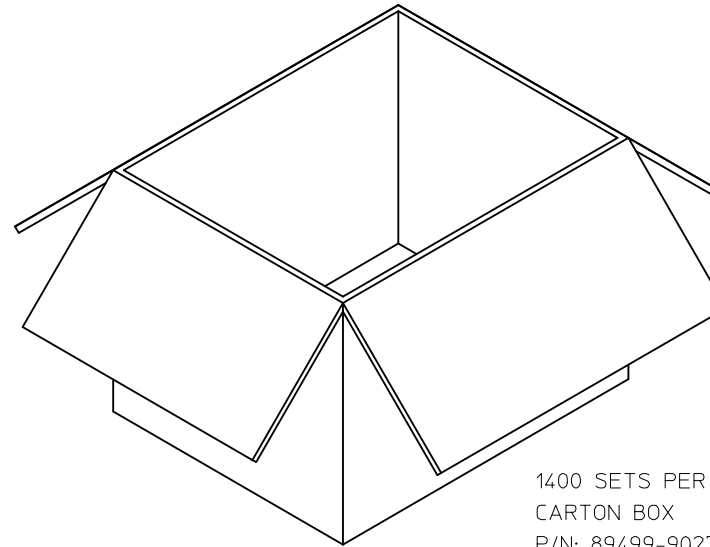


P/N: 73251-2200 / 73251-2201
 73251-2205 / 73251-2206
 73251-2208 / 73251-2209



50 SETS PER TRAY
 TRAY P/N: 89707-0185

FOR 73251-2200, 73251-2201,
 73251-2205, 73251-2206,
 73251-2208, AND 73251-2209

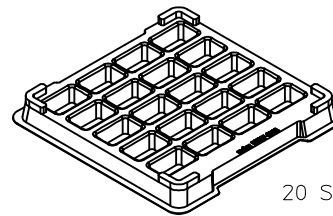


1400 SETS PER OUTER
 CARTON BOX
 P/N: 89499-9027

| | | | | | | | | | | | | | | | | | | | | | | | | | | |
|--|--------------------------------------|---|---------|--|------|----------|--------|---------|----------|--------|---------|----------|--------|---------|---------|--------|---------|---------|--------|---------|---|---|--|----------------------------------|---|----------------------------|
| CHG NEW RELEASE PER RF13-E131 EC NO: URF2013-0734 DRAWN BY: RYEH 2013/06/28 CHKD: KERRIE APPR: MHUANG 2013/07/26 REV: A | QUALITY SYMBOLS = 0 = 0 = 0 | GENERAL TOLERANCES (UNLESS SPECIFIED) <table border="1"> <tr> <td></td> <td>mm</td> <td>INCH</td> </tr> <tr> <td>4 PLACES</td> <td>± .005</td> <td>± .0004</td> </tr> <tr> <td>3 PLACES</td> <td>± .005</td> <td>± .0004</td> </tr> <tr> <td>2 PLACES</td> <td>± .005</td> <td>± .0004</td> </tr> <tr> <td>1 PLACE</td> <td>± .005</td> <td>± .0004</td> </tr> <tr> <td>0 PLACE</td> <td>± .005</td> <td>± .0004</td> </tr> </table> | | mm | INCH | 4 PLACES | ± .005 | ± .0004 | 3 PLACES | ± .005 | ± .0004 | 2 PLACES | ± .005 | ± .0004 | 1 PLACE | ± .005 | ± .0004 | 0 PLACE | ± .005 | ± .0004 | DIMENSION STYLE MM/IN DRAWN BY: RYEH DATE: 2013/06/28 CHECKED BY: KERRIE DATE: 2013/06/28 APPROVED BY: MHUANG DATE: 2013/07/26 | SCALE: 2.5:1 DESIGN UNITS: METRIC THIRD ANGLE PROJECTION | SMA JACK R/A PCB TH 50 OHMS SMA-J/PCB molex | MATERIAL NO. SEE TABLE | DOCUMENT NO. SD-73251-220-PKG | SHEET NO. 1 OF 4 |
| | | mm | INCH | | | | | | | | | | | | | | | | | | | | | | | |
| | 4 PLACES | ± .005 | ± .0004 | | | | | | | | | | | | | | | | | | | | | | | |
| | 3 PLACES | ± .005 | ± .0004 | | | | | | | | | | | | | | | | | | | | | | | |
| 2 PLACES | ± .005 | ± .0004 | | | | | | | | | | | | | | | | | | | | | | | | |
| 1 PLACE | ± .005 | ± .0004 | | | | | | | | | | | | | | | | | | | | | | | | |
| 0 PLACE | ± .005 | ± .0004 | | | | | | | | | | | | | | | | | | | | | | | | |
| ANGULAR ± 2° | | DRAFT WHERE APPLICABLE MUST REMAIN WITHIN DIMENSIONS | | THIS DRAWING CONTAINS INFORMATION THAT IS PROPRIETARY TO MOLEX INCORPORATED AND SHOULD NOT BE USED WITHOUT WRITTEN PERMISSION | | | | | | | | | | | | | | | | | | | | | | |
| | | | | | | | | | | | | | | | | | | | | | | | | | | |
| | | | | | | | | | | | | | | | | | | | | | | | | | | |

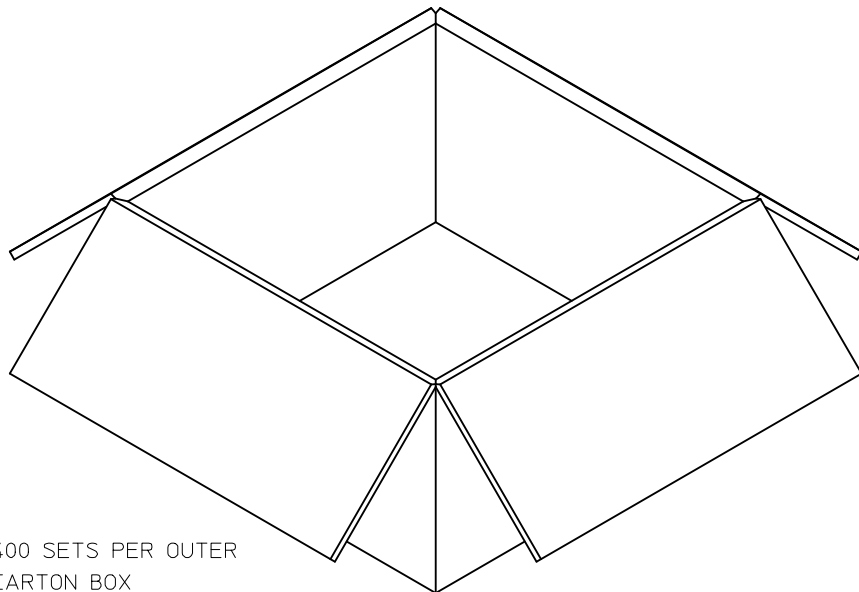


P/N: 73251-2202

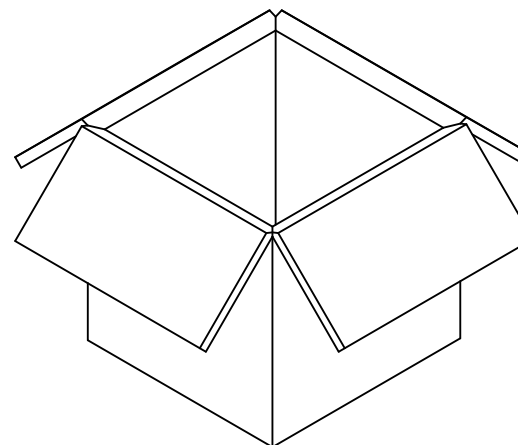


20 SETS PER TRAY
TRAY P/N: 89707-0308

FOR 73251-2202 ONLY



400 SETS PER OUTER
CARTON BOX
P/N: 96707-0002



200 SETS PER INNER
CARTON BOX
P/N: 96707-0005

CHG:SEE SHEET 1
EC NO: URF2013-0734
DRAWN:RYEH
CHKD:
APPR:MHUANG

2013/06/28
2013/07/26

DESCRIPTION

| REV | DESCRIPTION | QUALITY SYMBOLS |
|-----|-------------|-----------------|
| A | | ▽=0 |
| | | ▽=0 |
| | | ▽=0 |

GENERAL TOLERANCES (UNLESS SPECIFIED)

| | mm | INCH |
|----------|--------|---------|
| 4 PLACES | ± .005 | ± .0008 |
| 3 PLACES | ± .005 | ± .0008 |
| 2 PLACES | ± .005 | ± .0008 |
| 1 PLACE | ± .005 | ± .0008 |
| 0 PLACE | ± .005 | ± .0008 |

ANGULAR ± 2 °

DRAFT WHERE APPLICABLE MUST REMAIN WITHIN DIMENSIONS

| DIMENSION STYLE | | SCALE | DESIGN UNITS | THIRD ANGLE PROJECTION |
|-----------------|------------|---|--------------|------------------------|
| MM/IN | | 2:1 | METRIC | |
| DRAWN BY | DATE | TITLE | | |
| RYEH | 2013/06/28 | SMA JACK R/A PCB TH | | |
| CHECKED BY | DATE | 50 OHMS | | |
| KERRIE | 2013/06/28 | SMA-J/PCB | | |
| APPROVED BY | DATE | molex | | |
| MHUANG | 2013/07/26 | DOCUMENT NO. SD-73251-220-PKG | | |
| MATERIAL NO. | SEE TABLE | SHEET NO. 2 OF 4 | | |
| SIZE | C | THIS DRAWING CONTAINS INFORMATION THAT IS PROPRIETARY TO MOLEX INCORPORATED AND SHOULD NOT BE USED WITHOUT WRITTEN PERMISSION | | |

SCALE 2:1

DESIGN UNITS METRIC

THIRD ANGLE PROJECTION

TITLE SMA JACK R/A PCB TH
50 OHMS
SMA-J/PCB

molex

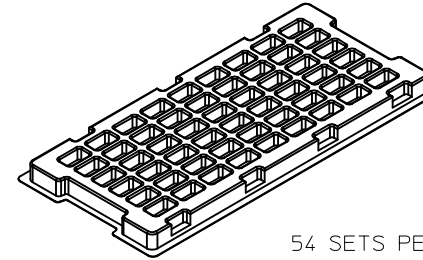
DOCUMENT NO. SD-73251-220-PKG

SHEET NO. 2 OF 4

THIS DRAWING CONTAINS INFORMATION THAT IS PROPRIETARY TO MOLEX INCORPORATED AND SHOULD NOT BE USED WITHOUT WRITTEN PERMISSION

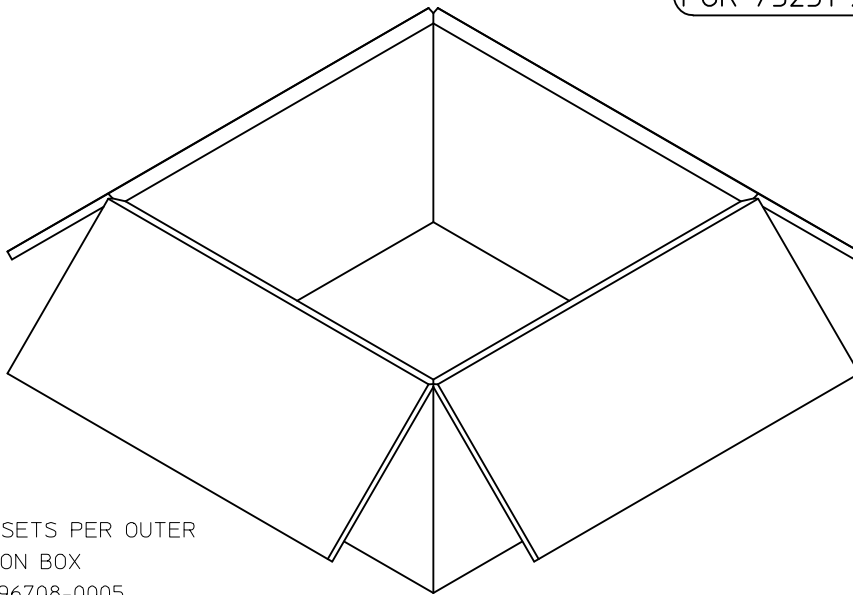


P/N: 73251-2203 / 73251-2204

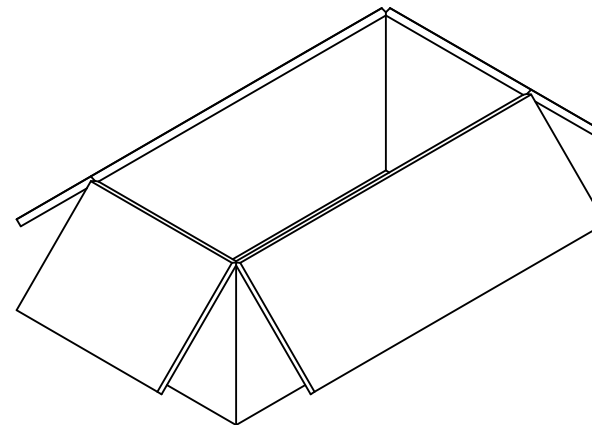


54 SETS PER TRAY
TRAY P/N: 89707-0220

FOR 73251-2203 AND 73251-2204



1080 SETS PER OUTER
CARTON BOX
P/N: 96708-0005

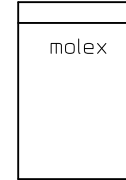


540 SETS PER INNER
CARTON BOX
P/N: 96707-0001

| | | | | | | | |
|---|---|---------------------------------------|-------------|-----------------|------------------|---------------------|------------------------|
| CHG:SEE SHEET 1 EC NO: URF2013-0734 DRAWN:RYEH 2013/06/28 CHKD: APPR:MHUANG 2013/07/26 REV: | QUALITY SYMBOLS | GENERAL TOLERANCES (UNLESS SPECIFIED) | | DIMENSION STYLE | SCALE | DESIGN UNITS | THIRD ANGLE PROJECTION |
| | ▽=0 | mm | INCH | MM/IN | 2:1 | METRIC | |
| | ▽=0 | 4 PLACES ± --- ± --- | | DRAWN BY | DATE | TITLE | |
| | ▽=0 | 3 PLACES ± --- ± --- | | RYEH | 2013/06/28 | SMA JACK R/A PCB TH | |
| | 2 PLACES ± --- ± --- | | CHECKED BY | DATE | 50 OHMS | | |
| | 1 PLACE ± --- ± --- | | KERRIE | 2013/06/28 | SMA-J/PCB | | |
| | 0 PLACE ± --- ± --- | | APPROVED BY | DATE | molex | | |
| | ANGULAR ± 2 ° | | MHUANG | 2013/07/26 | MATERIAL NO. | DOCUMENT NO. | SHEET NO. |
| | DRAFT WHERE APPLICABLE MUST REMAIN WITHIN DIMENSIONS | | SEE TABLE | | SD-73251-220-PKG | | 3 OF 4 |
| | THIS DRAWING CONTAINS INFORMATION THAT IS PROPRIETARY TO MOLEX INCORPORATED AND SHOULD NOT BE USED WITHOUT WRITTEN PERMISSION | | | | | | |

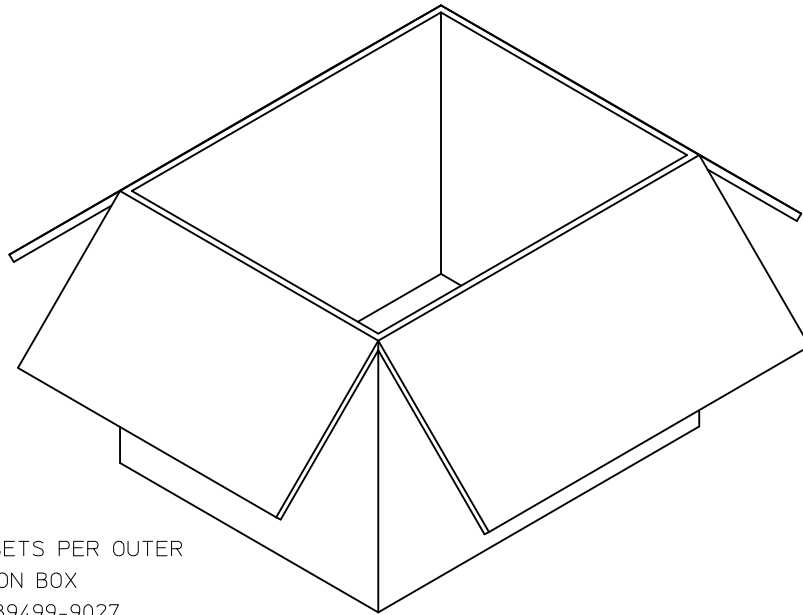


P/N: 73251-2207



1 SET PER POLYBAG
P/N: 89707-0317

FOR 73251-2207 ONLY



500 SETS PER OUTER
CARTON BOX
P/N: 89499-9027



50 SETS PER POLYBAG
P/N: 89707-0174

| | |
|---------------------|-------------|
| CHG:SEE SHEET 1 | 2013/06/28 |
| EC NO: URF2013-0734 | |
| DRW:RYEH | |
| CHKD: | |
| APPR:MHUANG | 2013/07/26 |
| REV | DESCRIPTION |
| A | |

| QUALITY SYMBOLS |
|-----------------|
| = 0 |
| = 0 |
| = 0 |

| | |
|--|-------------|
| GENERAL TOLERANCES (UNLESS SPECIFIED) | |
| | mm INCH |
| 4 PLACES | ± --- ± --- |
| 3 PLACES | ± --- ± --- |
| 2 PLACES | ± --- ± --- |
| 1 PLACE | ± --- ± --- |
| 0 PLACE | ± --- ± --- |
| ANGULAR ± 2 ° | |
| DRAFT WHERE APPLICABLE MUST REMAIN WITHIN DIMENSIONS | |

| DIMENSION STYLE | |
|-----------------|------------|
| MM/IN | |
| DRAWN BY | DATE |
| RYEH | 2013/06/28 |
| CHECKED BY | DATE |
| KERRIE | 2013/06/28 |
| APPROVED BY | DATE |
| MHUANG | 2013/07/26 |
| MATERIAL NO. | |
| SEE TABLE | |

| | | |
|---|--------------|------------------------|
| SCALE | DESIGN UNITS | THIRD ANGLE PROJECTION |
| 1:1 | METRIC | |
| TITLE | | |
| SMA JACK R/A PCB TH | | |
| 50 OHMS | | |
| SMA-J/PCB | | |
| molex | | |
| MATERIAL NO. | DOCUMENT NO. | SHEET NO. |
| SD-73251-220-PKG | | 4 OF 4 |
| THIS DRAWING CONTAINS INFORMATION THAT IS PROPRIETARY TO MOLEX INCORPORATED AND SHOULD NOT BE USED WITHOUT WRITTEN PERMISSION | | |

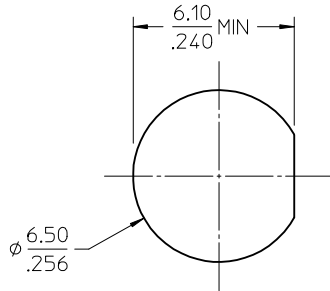
MATERIALS AND FINISHES:

BODY, JAM NUT: BRASS
FINISH: GOLD

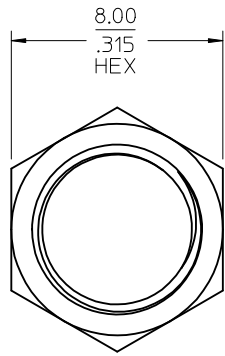
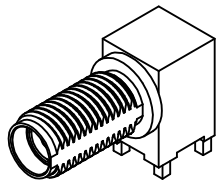
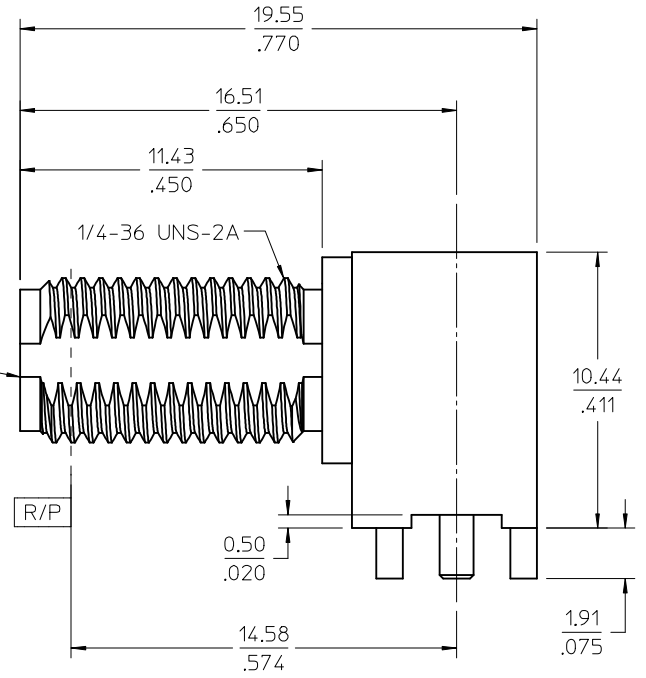
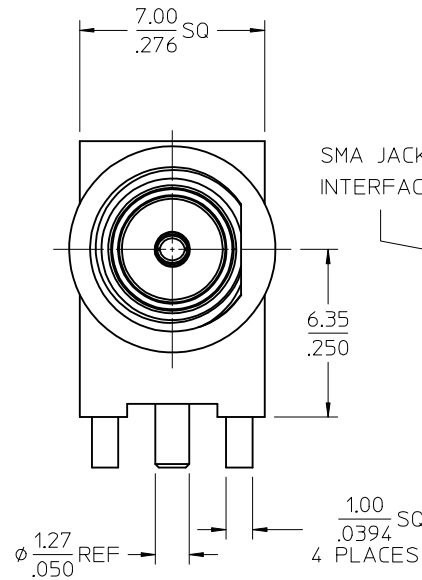
CENTER CONTACT: BERYLLIUM COPPER
PLATED GOLD

INSULATOR: TEFLON

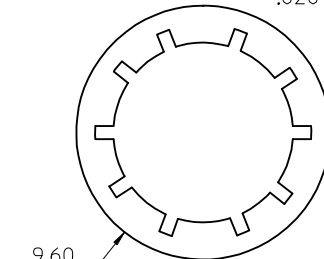
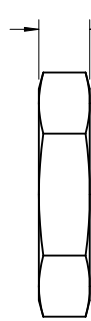
LOCKWASHER: PHOSPHOR BRONZE
FINISH: GOLD



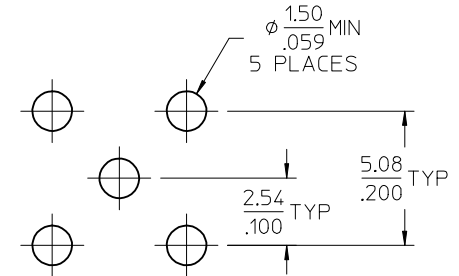
PANEL CUTOUT
3.42 / .135 MAX
THICKNESS



JAM NUT



LOCKWASHER



RECOMMENDED PCB LAYOUT

| |
|------------|
| 73251-4960 |
| PART NO. |

| | |
|--------------------------|-----------------------|
| PS-89675-3460 | PRODUCT SPECIFICATION |
| MIL-STD-348A, FIG. 310.2 | INTERFACE |
| SPECIFICATION | DESCRIPTION |

SD-73251-496 IS CONTINUATION FOR SD-73251-220

| | | | | | | | |
|----------------------------|---------------------|-----------------|---------------------------------------|--------------|------------------|------------------|------------------|
| CHG: LEG/CONTACT WERE .040 | EC NO: URF2013-0344 | DRWN: WIENER | CHKD: SSS | APPR: WIENER | DATE: 2012/12/14 | DATE: 2012/12/14 | DATE: 2012/12/14 |
| DESCRIPTION | REV | QUALITY SYMBOLS | GENERAL TOLERANCES (UNLESS SPECIFIED) | | | | |

| | | | | |
|--|---|-----|---|-----|
| 4 PLACES | ± | --- | ± | --- |
| 3 PLACES | ± | --- | ± | --- |
| 2 PLACES | ± | --- | ± | --- |
| 1 PLACE | ± | --- | ± | --- |
| 0 PLACE | ± | --- | ± | --- |
| ANGULAR ± 2 ° | | | | |
| DRAFT WHERE APPLICABLE MUST REMAIN WITHIN DIMENSIONS | | | | |

| | | | |
|--------------|--|------|--|
| DRAWN BY | | DATE | |
| CHECKED BY | | DATE | |
| APPROVED BY | | DATE | |
| MATERIAL NO. | | | |

| | | | | | |
|---|--|--------------|--|------------------------|--|
| SCALE | | DESIGN UNITS | | THIRD ANGLE PROJECTION | |
| MM/IN | | INCH | | ☉ | |
| TITLE | | | | | |
| SMA JACK RA BLKHD RM PCB TH SMA-J/RA/PCB, EWR-2144 | | | | | |
| molex | | | | DOCUMENT NO. | |
| SEE TABLE | | | | SD-73251-496 | |
| SIZE | | | | SHEET NO. | |
| C THIS DRAWING CONTAINS INFORMATION THAT IS PROPRIETARY TO MOLEX INCORPORATED AND SHOULD NOT BE USED WITHOUT WRITTEN PERMISSION | | | | 1 OF 1 | |