

THIS DRAWING IS UNPUBLISHED.

RELEASED FOR PUBLICATION APR ,2003.

LOC GP DIST 00

REVISIONS

© COPYRIGHT 2003 By -

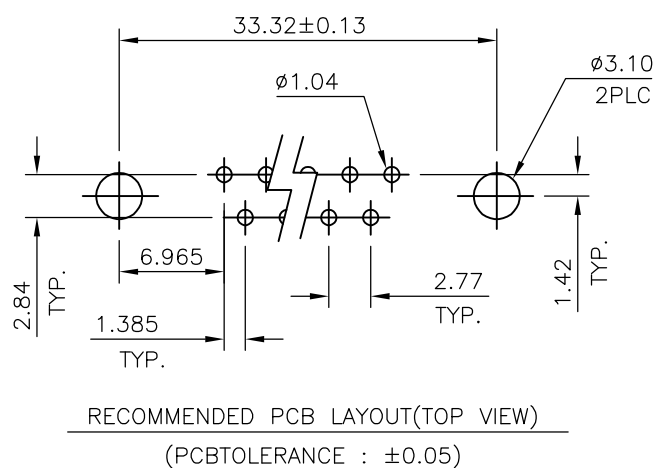
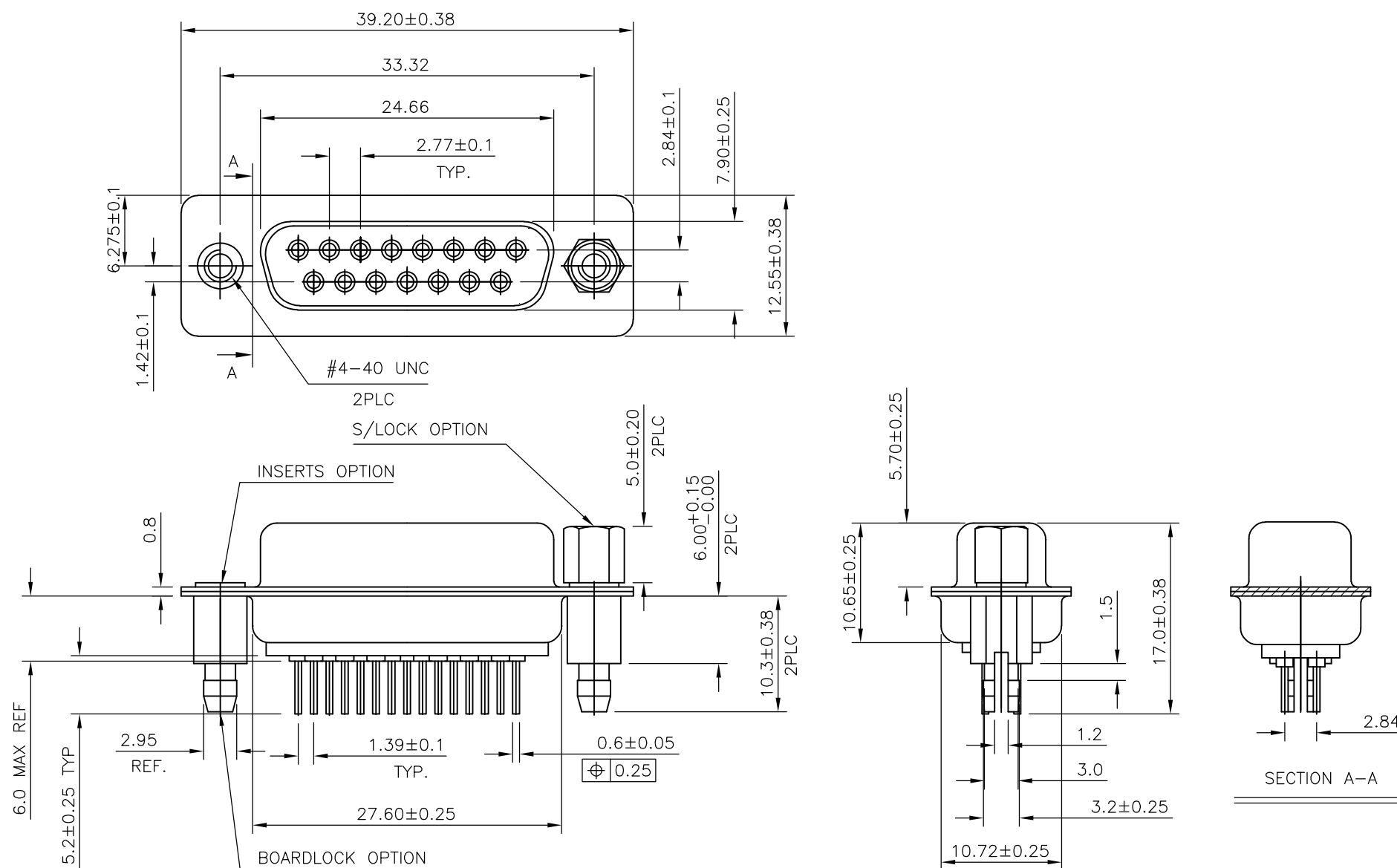
ALL RIGHTS RESERVED.

P	LTR	DESCRIPTION	DATE	DWN	APVD
	H	REVISED PER ECO-13-000728	21FEB2013	BMM	SLB

NOTES:

- MATERIAL**  
HOUSING : THERMOPLASTIC, UL94V-0, BLACK  
CONTACTS : PHOSPHOR BRONZE.  
SHELL : STEEL.  
SCREW : BRASS.  
BOARD LOCK : BRASS  
SCREW OF TORQUE : 5 Kg-cm MAX.
- FINISH**  
CONTACT : 15µ" MIN. GOLD PLATING ON CONTACT AREA  
100µ" MIN. TIN PLATING ON SOLDER TAILS  
50µ" MIN. NICKEL UNDERPLATED OVERALL  
SHELL : 60µ" MIN. TIN PLATING  
SCREW : 50µ" MIN. NICKEL PLATING.  
BOARD LOCK : 50µ" MIN. NICKEL PLATING.
- CHARACTERISTICS**  
CURRENT RATING : 3A  
INSULATION RESISTANCE : 1000MOHMS MIN, 500VDC FOR 2MINS.  
TEMPERATURE RATING : -55DEGC ~ +105DEGC  
VOLTAGE RATING : 250VDC

⚠ OBSOLETE PARTS: OBSOLETE CIS STREAMLINING PER D.RENAUD/D.SINISI



OBSELETE	15W D SKT WITH B/L & M3 S/LOCK 15µ" GOLD	4-1634223-2
	15W D SKT WITH B/L & 4-40 S/LOCK 15µ" GOLD	3-1634223-2
⚠ OBSELETE	15W D SKT WITH B/L & M3 INSERTS 15µ" GOLD	2-1634223-2
	15W D SKT WITH B/L & 4-40 INSERTS 15µ" GOLD	1-1634223-2
	DESCRIPTION	TE PART No.

THIS DRAWING IS A CONTROLLED DOCUMENT. DIMENSIONING AND TOLERANCING PER ASME Y14.5M-2009		DWN J.SANDWELL 10APR03	TE Connectivity	
DIMENSIONS: MM		CHK R.DYER 10APR03		
TOLERANCES UNLESS OTHERWISE SPECIFIED:		APVD F.WHEELER-KING 10APR03	NAME	
0 PLC ± -	1 PLC ± 0.25	PRODUCT SPEC	D-SUB HD20, VERTICAL, 15P SKT CONNECTOR	
2 PLC ± 0.15	3 PLC ± -	APPLICATION SPEC	SIZE	CAGE CODE
4 PLC ± -	ANGLES ± -	WEIGHT	A3	00779
MATERIAL	FINISH	CUSTOMER DRAWING	DRAWING NO	RESTRICTED TO
-	-	SCALE 2:1	G-1634223	-
		SHEET 1 OF 2	REV H	

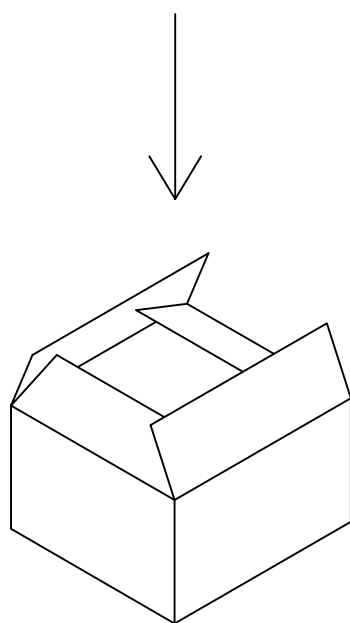
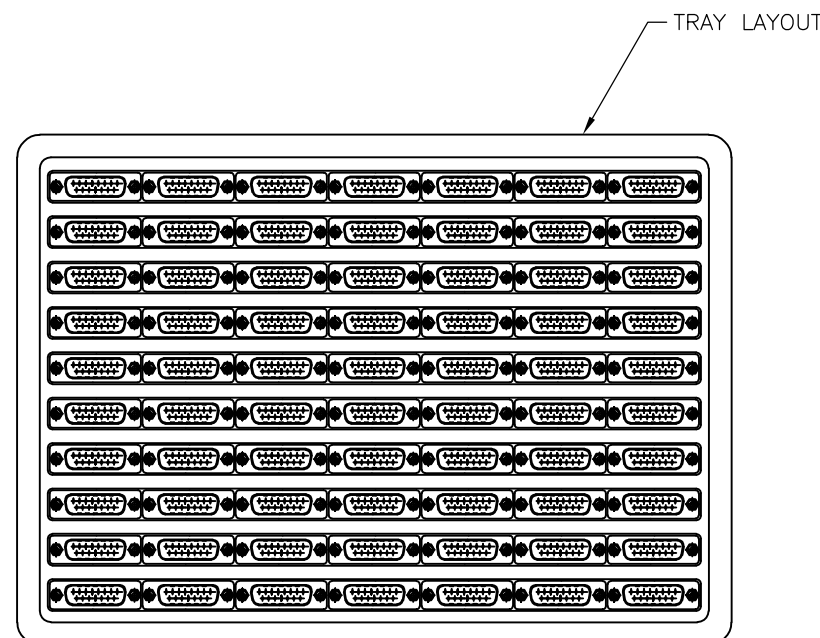
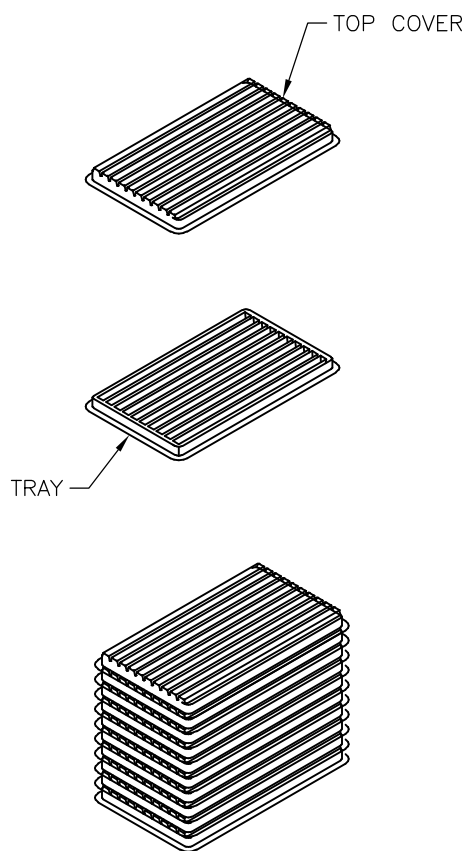
THIS DRAWING IS UNPUBLISHED.

RELEASED FOR PUBLICATION APR , 2003.

© COPYRIGHT 2003 By -

ALL RIGHTS RESERVED.

LOC	DIST	REVISIONS					
GP	00	P	LTR	DESCRIPTION	DATE	DWN	APVD
		-		SEE SHEET 1	-	-	-



NOTES:

MATERIAL


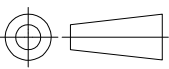
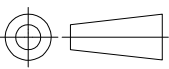
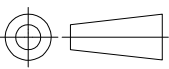
- 1. TRAY: PVC
- 2. SHIPPING CARTON: CORRUGATED FIBERBOARD

DIMENSIONS

- 1. TRAY: L=310, W=230, H=21
- 2. SHIPPING CARTON: L=330, W=245, H=160

QUANTITY

- 70 PCS/TRAY
- 10 TRAY/SHIPPING CARTON

THIS DRAWING IS A CONTROLLED DOCUMENT. DIMENSIONING AND TOLERANCING PER ASME Y14.5M-2009		DWN J.SANDWELL 10APR03	 <b>TE Connectivity</b>																		
<table border="1"> <tr> <td>DIMENSIONS:</td> <td>TOLERANCES UNLESS OTHERWISE SPECIFIED:</td> </tr> <tr> <td>MM</td> <td></td> </tr> <tr> <td></td> <td>0 PLC ± -</td> </tr> <tr> <td></td> <td>1 PLC ± 0.25</td> </tr> <tr> <td></td> <td>2 PLC ± 0.15</td> </tr> <tr> <td></td> <td>3 PLC ± -</td> </tr> <tr> <td></td> <td>4 PLC ± -</td> </tr> <tr> <td></td> <td>ANGLES ± -</td> </tr> </table>		DIMENSIONS:				TOLERANCES UNLESS OTHERWISE SPECIFIED:	MM			0 PLC ± -		1 PLC ± 0.25		2 PLC ± 0.15		3 PLC ± -		4 PLC ± -		ANGLES ± -	CHK R.DYER 10APR03
DIMENSIONS:	TOLERANCES UNLESS OTHERWISE SPECIFIED:																				
MM																					
	0 PLC ± -																				
	1 PLC ± 0.25																				
	2 PLC ± 0.15																				
	3 PLC ± -																				
	4 PLC ± -																				
	ANGLES ± -																				
MATERIAL -		APVD F.WHEELER-KING 10APR03	SIZE A3	CAGE CODE 00779	DRAWING NO C-1634223	RESTRICTED TO -															
FINISH -		PRODUCT SPEC -	CUSTOMER DRAWING			SCALE 2:1	SHEET 2 OF 2	REV H													