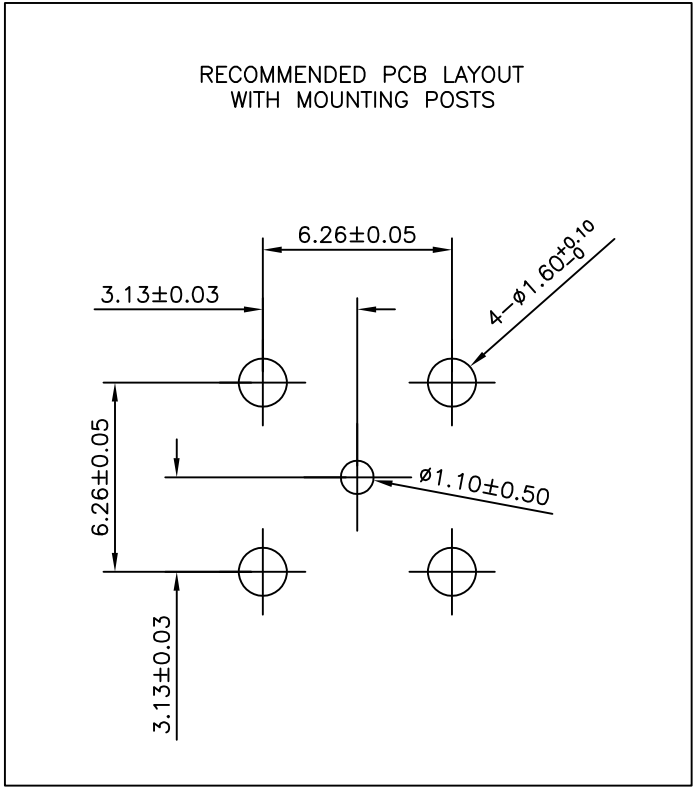
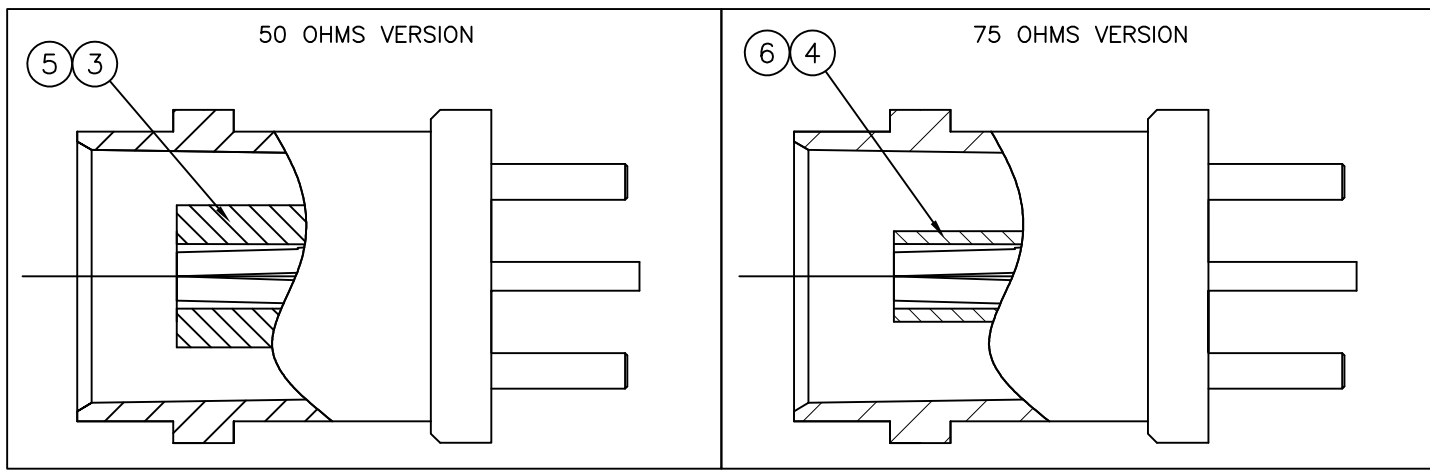
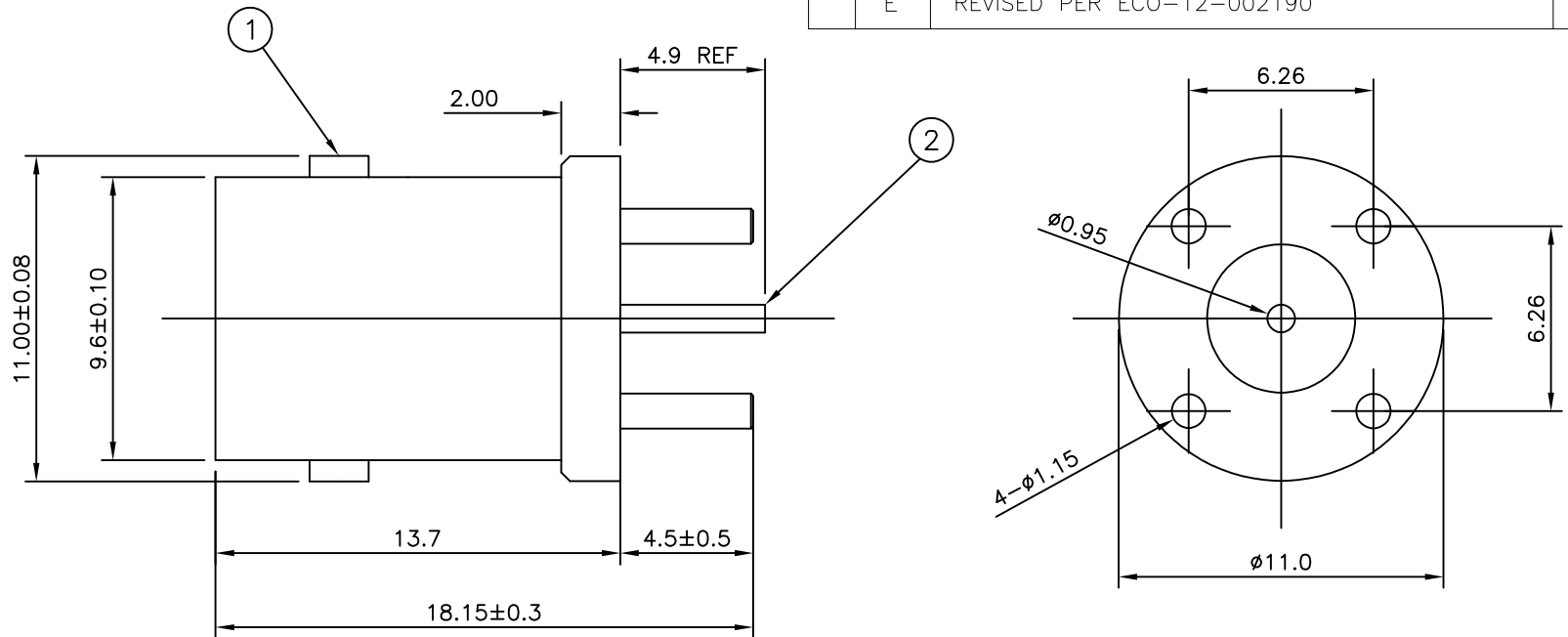


THIS DRAWING IS UNPUBLISHED. RELEASED FOR PUBLICATION SEP , 2004.
 © COPYRIGHT 2004 By - ALL RIGHTS RESERVED.

LOC	DIST	REVISIONS			
P	LTR	DESCRIPTION	DATE	DWN	APVD
E	B	D1	REVISED PER ECO-11-005033	31MAR11	RK HMR
E		E	REVISED PER ECO-12-002190	03FEB12	TITAN MARTIN

- NOTES**
- 1 100 TRAY PACK IN ACCORDANCE WITH AMP SPEC 107-3275
 - 2 SINGLE PACK IN ACCORDANCE WITH AMP SPEC 107-3275
 - 3 Au PLATING
 - 4 Ni PLATING
 - 5 FOR TECHNICAL DATA REFER TO YOUR LOCAL TE CONNECTIVITY SALES OFFICE
 - 6 ALL DIMENSIONS ARE NOMINAL FOR REFERENCE ONLY UNLESS OTHERWISE STATED



QUANTITY PER ASSY								PARTS LIST		
1	1	-	-	-	-	-	-	PTFE	INSULATOR	6
-	-	1	1	-	-	-	-	PTFE	INSULATOR	5
-	-	-	-	1	1	-	-	POLYMETHYLPENTENE	INSULATOR	4
-	-	-	-	-	-	1	1	POLYMETHYLPENTENE	INSULATOR	3
1	1	1	1	1	1	1	1	PHOS BRONZE	CONTACT	2
1	1	1	1	1	1	1	1	ZINC ALLOY	BODY	1
5--7	5--6	5--5	5--4	5--3	5--2	5--1	5--0			
△	△	△	△	△	△	△	△			

OBSOLETE

THIS DRAWING IS A CONTROLLED DOCUMENT.		DWN	RITA ZUO		11 Mar 09	TE Connectivity	
DIMENSIONS: mm		CHK	ANSON MA		11 Mar 09		
TOLERANCES UNLESS OTHERWISE SPECIFIED:		APVD	BOB ZHAO		11 Mar 09	NAME	
0 PLC ± -		PRODUCT SPEC		108-112000		BNC STRAIGHT LOW PROFILE PCB SOCKET	
1 PLC ± -		APPLICATION SPEC		-		SIZE	
2 PLC ± -		MATERIAL		-		CAGE CODE	
3 PLC ± -		FINISH		-		DRAWING NO	
4 PLC ± -		WEIGHT		-		RESTRICTED TO	
ANGLES ± -		CUSTOMER DRAWING		SCALE		SHEET	
				A3 00779		1 OF 1	
				C-1634503		REV	
				NTS		E	