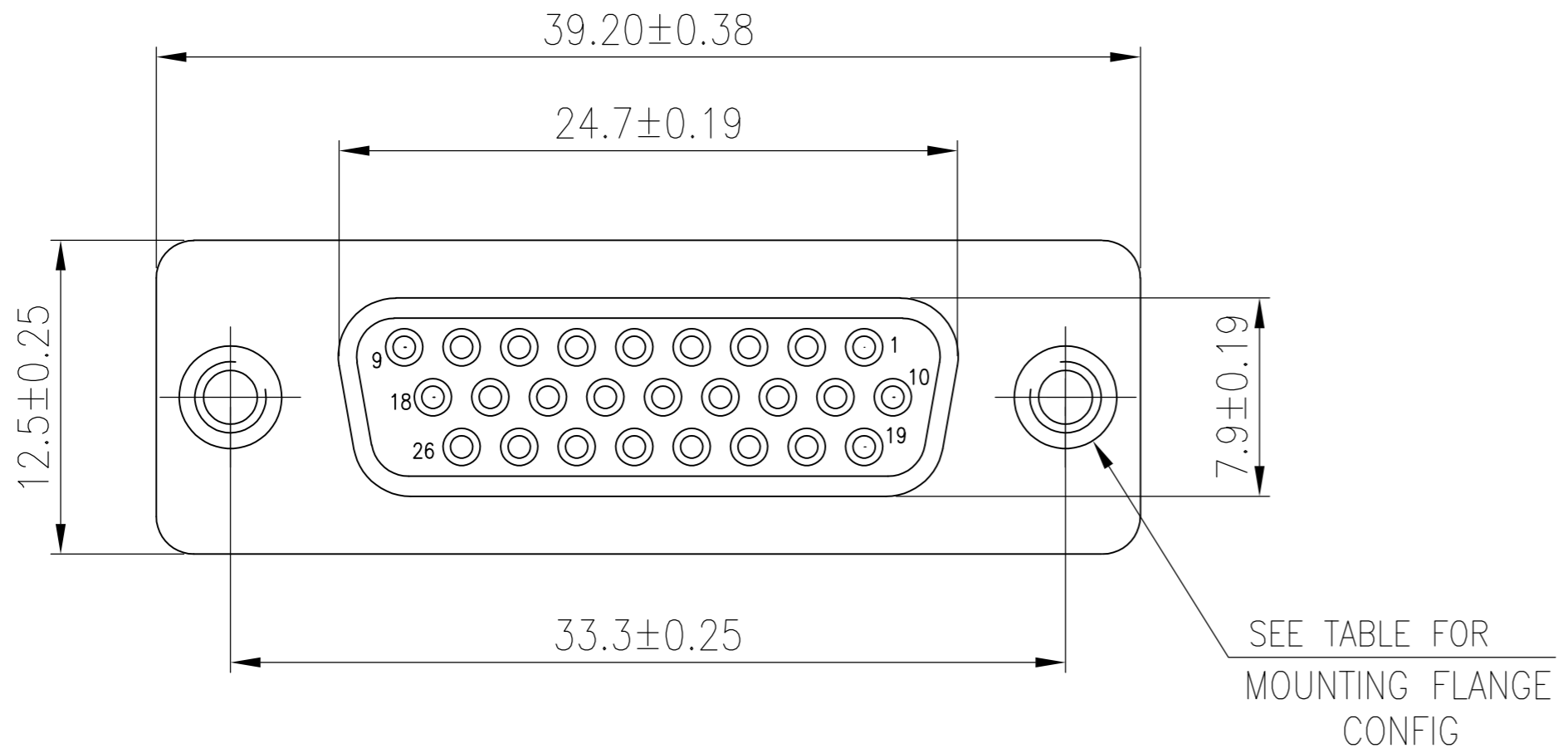


THIS DRAWING IS UNPUBLISHED. RELEASED FOR PUBLICATION
 © COPYRIGHT BY TYCO ELECTRONICS CORPORATION. ALL RIGHTS RESERVED.

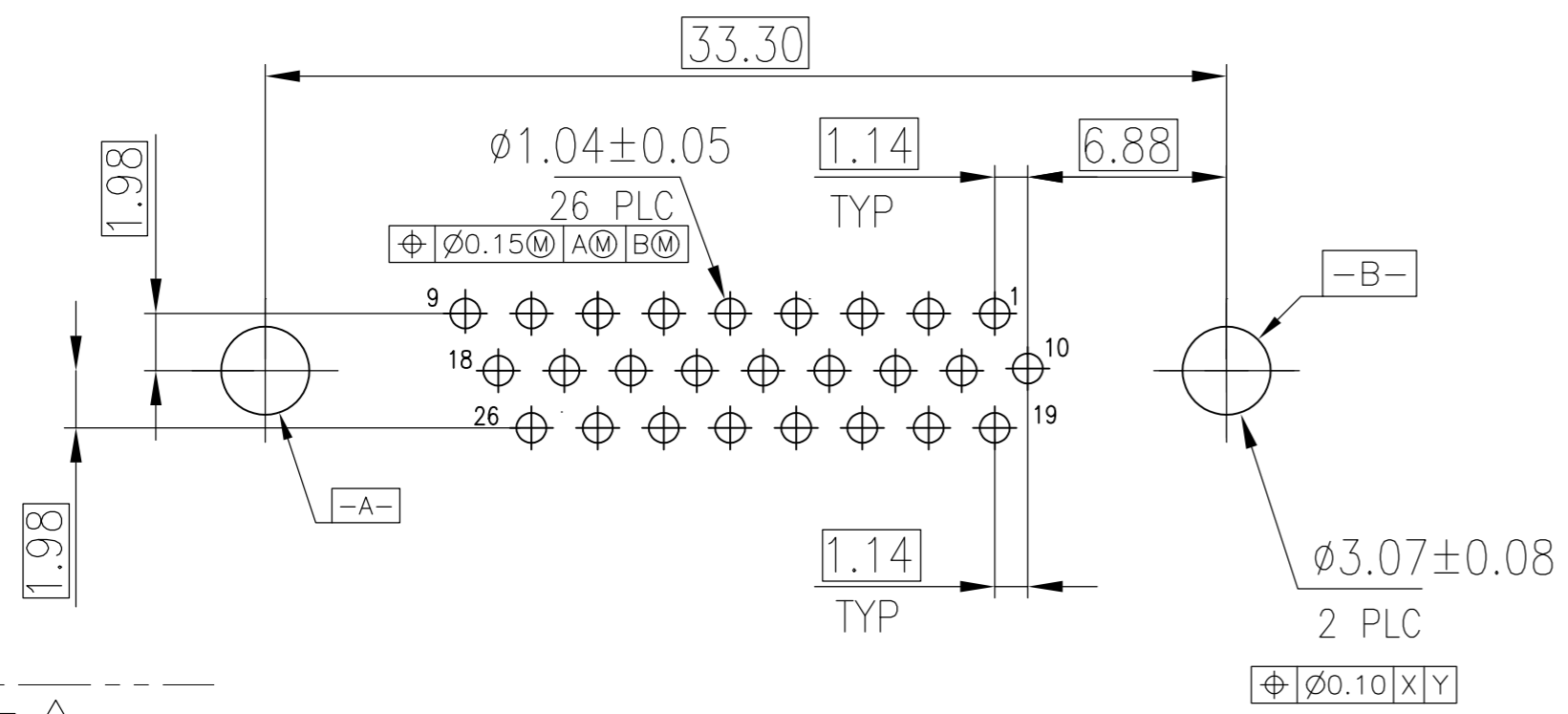
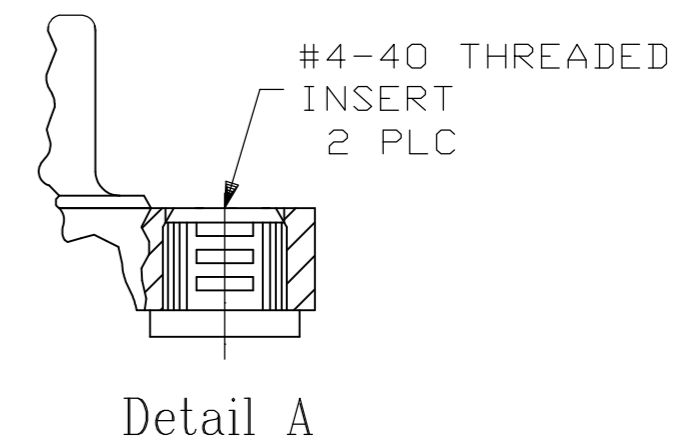
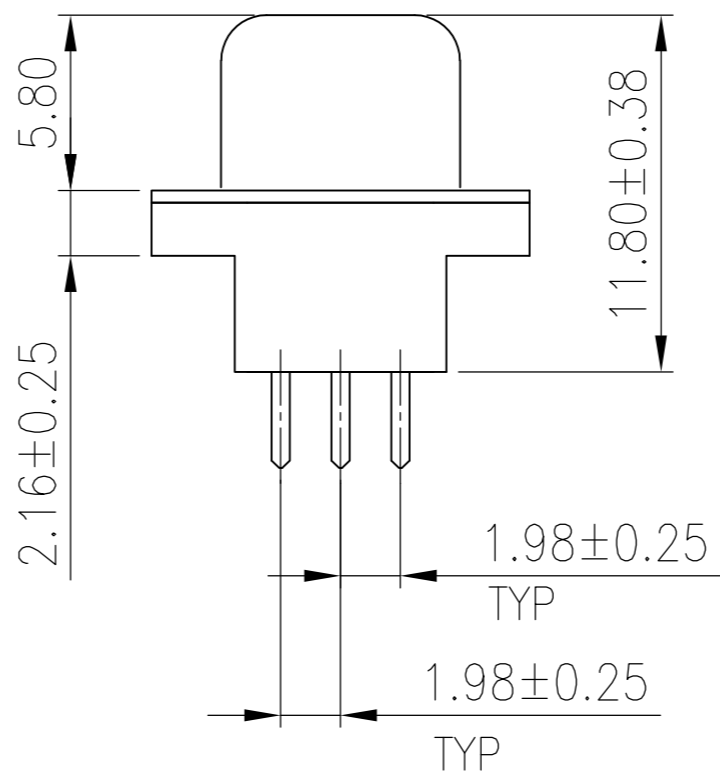
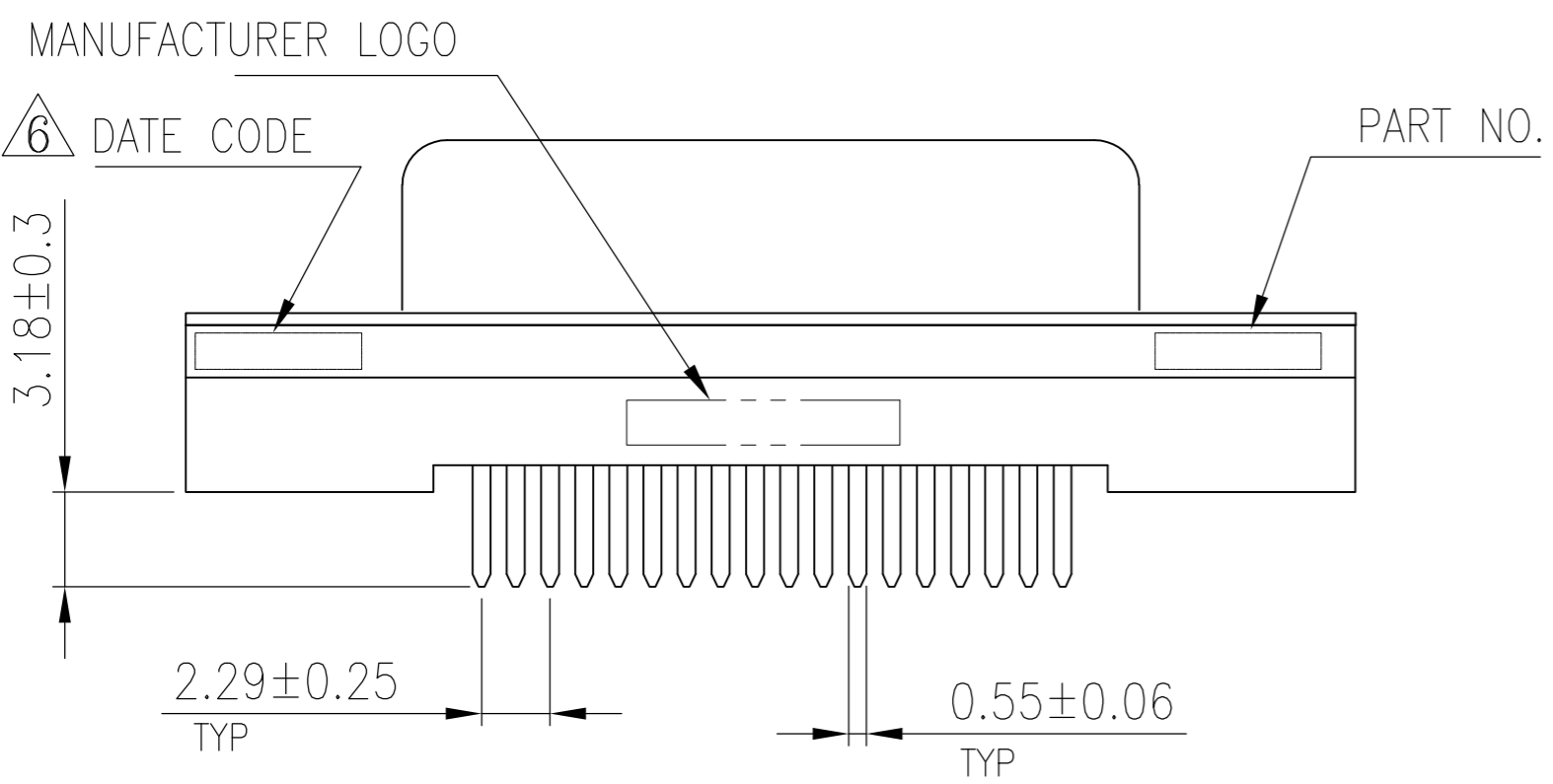
LOC		DIST		REVISIONS			
GP	00	P	LTR	DESCRIPTION	DATE	DWN	APVD
		B		REVISED PER ECO-09-005756	15APR2009	ZMR	SLB



- Housing material: PBT , Glass Filled, black, UL 94V-0 Rated.
 - CONTACT MATERIAL: PHOSPHOR BRONZE.
 - CONTACT FINISH: GOLD PLATE IN MATING AREA (SEE TABLE), 120µ" MIN TIN PLATE ON SOLDER TAIL, BOTH OVER 50µ" MIN NICKEL UNDERPLATE.
 - SHELL: STEEL, NICKEL PLATE.
 - THREADED INSERTS: BRASS, NICKEL PLATE.
- △ 6 FOUR DIGIT DATE CODE IN THIS FORMAT.

Year 01 45 Manufacturing Week

△ 7 DATUMS -X- & -Y- TO BE ESTABLISHED BY CUSTOMER.



OBSOLETE	Tray	Detail A	Gold flash	5749030-4
OBSOLETE	Tray	Detail A	15µ" MIN	5749030-3
	Tray	Detail A	30µ" MIN	5749030-1
Packaging		Mounting Flange Configuration	CONTACT MATING AREA FINISH	PART NUMBER

THIS DRAWING IS A CONTROLLED DOCUMENT.		DWN B. MCMASTER 21SEP05	Tyco Electronics Corporation Harrisburg, PA 17105-3608	
DIMENSIONS: mm		CHK S. BOLASH 21SEP05	NAME M. WALMSLEY 21SEP05	
TOLERANCES UNLESS OTHERWISE SPECIFIED:		PRODUCT SPEC 108-1092	APPLICATION SPEC 114-13199	
MATERIAL		FINISH	WEIGHT	SCALE
-		-	-	1:1
		CUSTOMER DRAWING	SIZE A2	CAGE CODE 00779
			DRAWING NO 5749030	RESTRICTED TO -
			SHEET 1 of 1	REV B