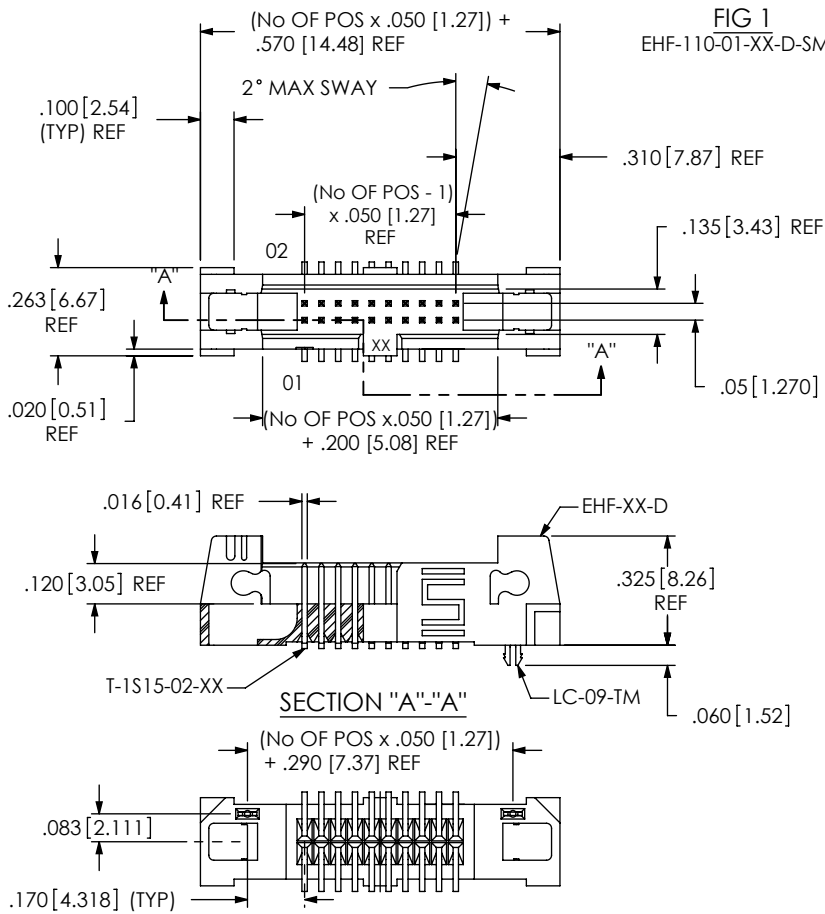


DO NOT SCALE FROM THIS PRINT



**FIG 1**  
EHF-110-01-XX-D-SM-LC

**EHF-1XX-01-XX-D-XX-XX-XX**

**No OF POSITIONS**  
-03, -04, -05, -08, -10, -13, -17, -20, -25

**LEAD STYLE**  
-01

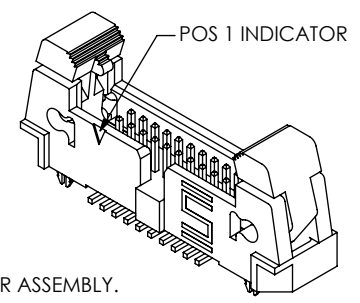
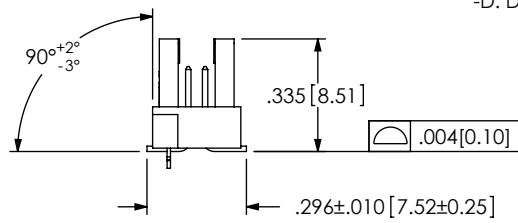
**PLATING SPECIFICATION**  
-L: LIGHT GOLD (USE T-1SXX-XX-L)  
-F: FLASH SELECTIVE GOLD (USE T-1SXX-XX-F)  
-S: SELECTIVE (USE T-1SXX-XX-S)  
-H: HEAVY GOLD, GOLD FLASH ON TAIL (USE T-1SXX-XX-H)  
-LM: LIGHT SELECTIVE GOLD, MATTE TIN ON TAIL (USE T-1SXX-XX-L)  
-SM: HEAVY SELECTIVE GOLD, MATTE TIN ON TAIL (USE T-1SXX-XX-S)  
-FM: FLASH SELECTIVE GOLD, MATTE TIN ON TAIL (USE T-1SXX-XX-F)

**OPTION**  
-LC: LOCKING CLIP (FOR -D-SM ONLY) (SEE NOTE 7)  
-P: PICK & PLACE PAD (FOR -D-SM ONLY) (FOR -03 & -04, USE PPP-25, SEE FIG 7, SHT 3) (FOR -05 THRU -25, USE PPP-48, SEE FIG 2)  
-K: POLYIMIDE FILM (USE K-500-300, SEE FIG 3)  
-TR: TAPE & REEL PACKAGING (FOR -D-SM, -D-SM-P, & -D-SM-K ONLY) (NOT AVAILABLE ON -D-SM-LC)

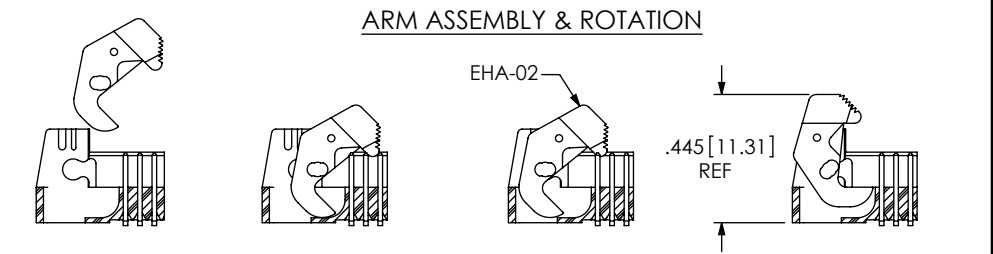
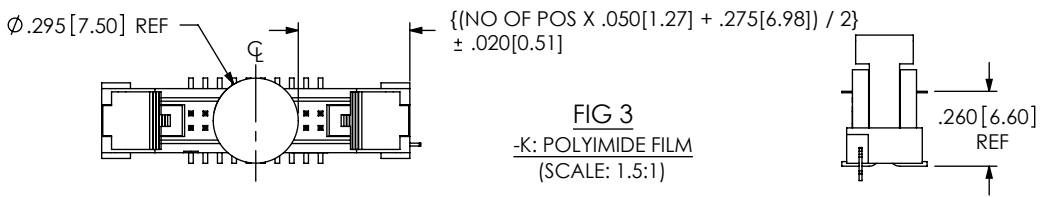
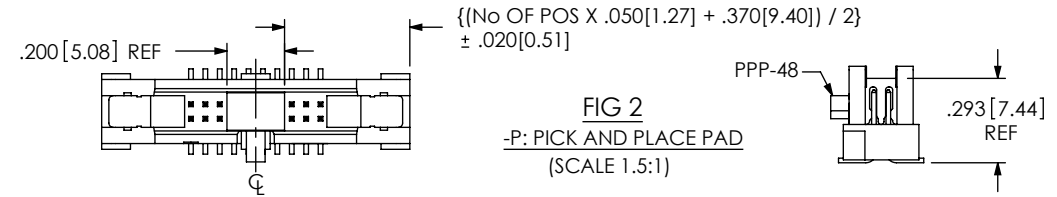
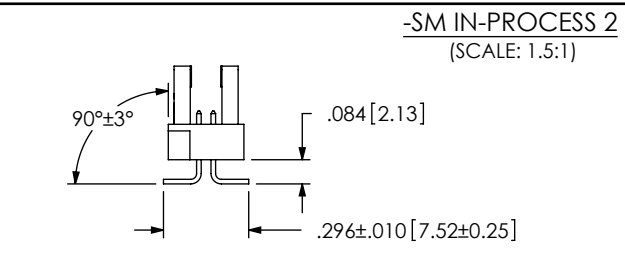
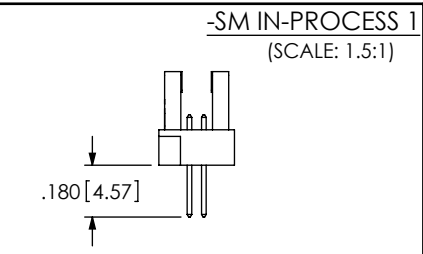
**POLARIZED OPTION**  
-XX = PIN OMITTED (N/A ON -RA OPTION)

**TAIL OPTION**  
(LEAVE BLANK FOR THROUGH HOLE, SEE FIG 4, SHEET 2) (USE T-1S63-01-XX)  
-SM: SURFACE MOUNT (USE T-1S15-02-XX)  
-RA: RIGHT ANGLE (USE T-1S63-02-XX AND T-1S63-03-XX) (SEE FIG 5, SHEET 2)

**ROW SPECIFICATION**  
-D: DOUBLE



- NOTES:**
1. Ⓢ REPRESENTS A CRITICAL DIMENSION.
  2. COPLANARITY TO BE WITHIN .004 [0.10].
  3. BURR ALLOWANCE: .0015 [0.038] MAX.
  4. MINIMUM PUSHOUT FORCE: 1 LB MIN.
  5. MAXIMUM ALLOWABLE BOW: .002 [0.05] INCH/INCH AFTER ASSEMBLY.
  6. NOTE DELETED.
  7. DUE TO THE HIGH AMOUNT OF INSERTION FORCE NEEDED, THE -LC OPTION IS NOT COMPATIBLE WITH AUTO PLACEMENT. SAMTEC RECOMMENDS MANUAL PLACEMENT FOR ALL ASSEMBLIES WITH THE -LC OPTION.



UNLESS OTHERWISE SPECIFIED, DIMENSIONS ARE IN INCHES.  
TOLERANCES ARE:  
DECIMALS ANGLES  
.XX: ±.01 [.3] 2°  
.XXX: ±.005 [.13]  
.XXXX: ±.0020 [.051]

**PROPRIETARY NOTE**  
THIS DOCUMENT CONTAINS INFORMATION CONFIDENTIAL AND PROPRIETARY TO SAMTEC, INC. AND SHALL NOT BE REPRODUCED OR TRANSFERRED TO OTHER DOCUMENTS OR DISCLOSED TO OTHERS OR USED FOR ANY PURPOSE OTHER THAN THAT WHICH IT WAS OBTAINED WITHOUT THE EXPRESSED WRITTEN CONSENT OF SAMTEC, INC.

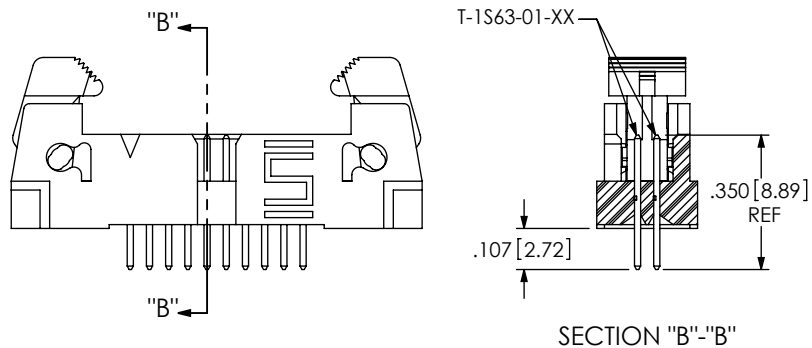
**samtec**  
520 PARK EAST BLVD, NEW ALBANY, IN 47150  
PHONE: 812-944-6733 FAX: 812-948-5047  
e-Mail: info@SAMTEC.com code: 55322

**MATERIAL:** DO NOT SCALE DRAWING  
INSULATOR: VECTRA E130i, COLOR BLACK 50% REGRIND  
TERMINAL: PHOS BRONZE 510 SPRING

**DESCRIPTION:** .050 EJECTOR HEADER ASSEMBLY  
**DWG. NO.** EHF-1XX-01-XX-D-XX-XX-XX

FIG 4

STANDARD THROUGH HOLE  
(SHOWN: EHF-110-01-XX-D)  
(SAME AS FIG 1, UNLESS OTHERWISE STATED)



SECTION "B"- "B"

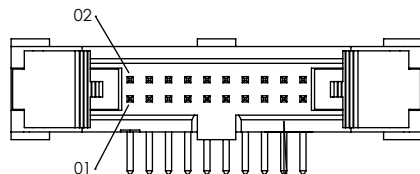
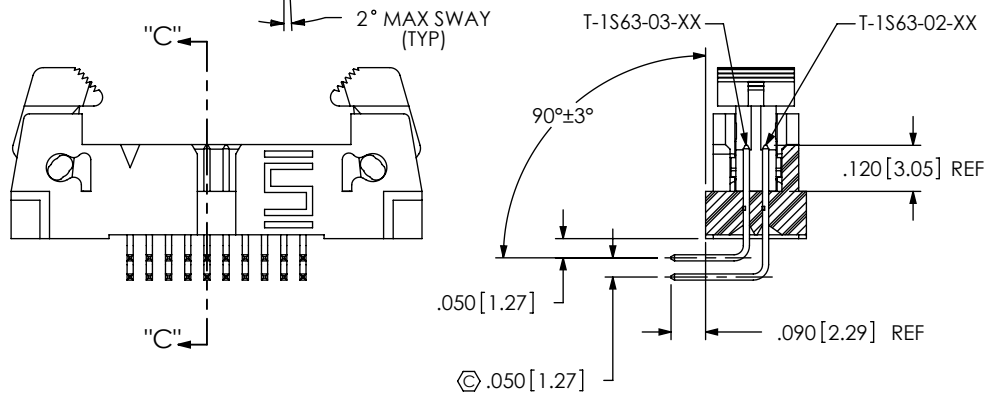


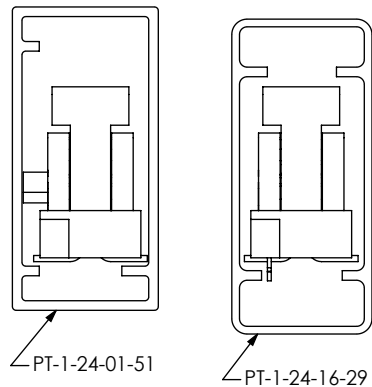
FIG 5

-RA: RIGHT ANGLE OPTION  
(SHOWN: EHF-110-01-XX-D-RA)  
(SAME AS FIG 1, UNLESS OTHERWISE STATED)

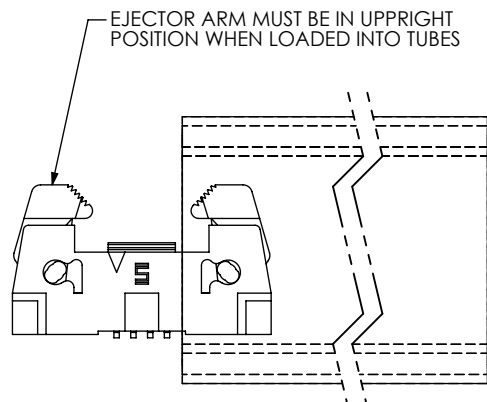
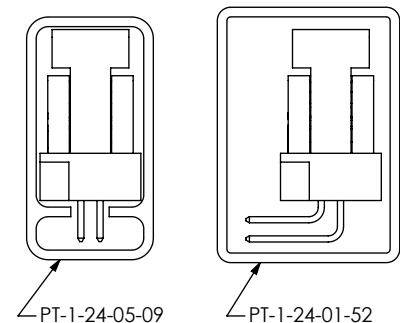


SECTION "C"- "C"

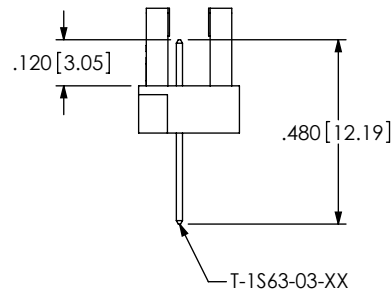
PACKAGING VIEWS  
(LOAD PARTS WITH POSITION #1 INDICATOR  
IN SAME DIRECTION AS ARROW ON TUBE)



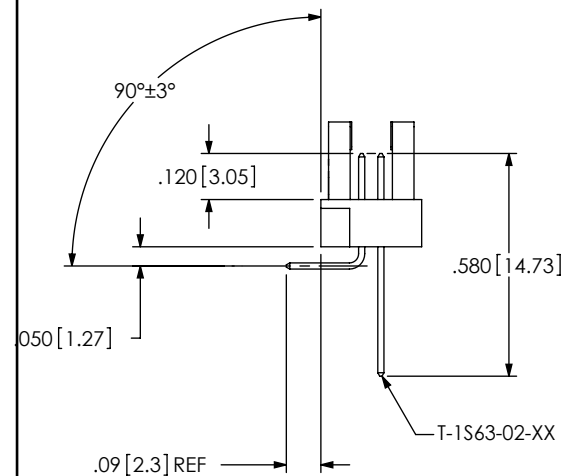
TAIL OPTION	OPTION	PACKAGING TUBE	PLUG
THROUGH HOLE	N/A	PT-1-24-05-09	TP-07
-SM	NONE, -LC, -K, -LC-K	PT-1-24-16-29	
-SM	-P, -LC-P	PT-1-24-01-51	TP-13
-RA	N/A	PT-1-24-01-52	



-RA IN-PROCESS 1



-RA IN-PROCESS 2



F:\DWG\MISC\MKTG\EHF-1XX-01-XX-D-XX-XX-XX-MKT.SLDDRW

PROPRIETARY NOTE

THIS DOCUMENT CONTAINS INFORMATION CONFIDENTIAL AND PROPRIETARY TO SAMTEC, INC. AND SHALL NOT BE REPRODUCED OR TRANSFERRED TO OTHER DOCUMENTS OR DISCLOSED TO OTHERS OR USED FOR ANY PURPOSE OTHER THAN THAT WHICH IT WAS OBTAINED WITHOUT THE EXPRESSED WRITTEN CONSENT OF SAMTEC, INC.

DO NOT SCALE DRAWING

SHEET SCALE: 2:1



520 PARK EAST BLVD, NEW ALBANY, IN 47150  
PHONE: 812-944-6733 FAX: 812-948-5047  
e-Mail: info@SAMTEC.com code: 55322

DESCRIPTION: .050 EJECTOR HEADER ASSEMBLY

DWG. NO. EHF-1XX-01-XX-D-XX-XX-XX

BY: ERIC M. 08/17/01 SHEET 2 OF 3

FIG 6

-SM: SURFACE MOUNT OPTION  
(SHOWN: EHF-110-01-XX-D-SM-LC)  
(SHOWN WITH LATCHES OPEN)

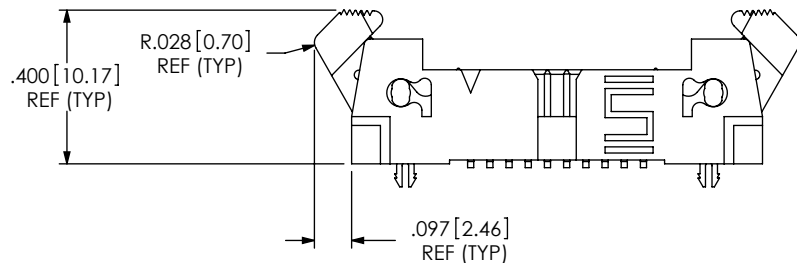
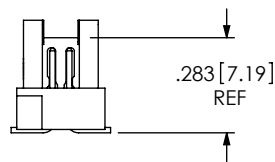
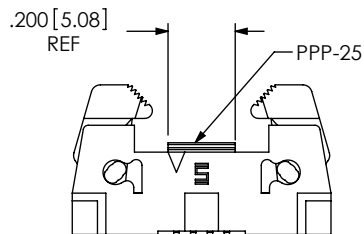


FIG 7

-03 & -04 PICK AND PLACE PAD  
(SHOWN: EHF-104-01-XX-D-SM-XX-P)



LATCHES OMITTED FOR CLARITY

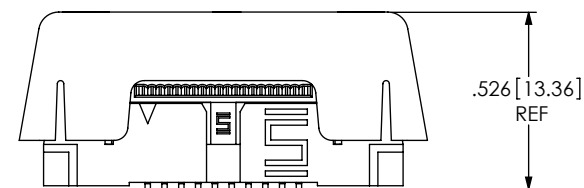
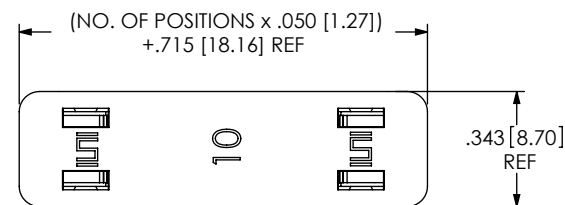


FIG 8  
APPLICATION VIEW  
EHF MATED WITH FFSD AND ECF

**PROPRIETARY NOTE**  
THIS DOCUMENT CONTAINS INFORMATION CONFIDENTIAL AND PROPRIETARY TO SAMTEC, INC. AND SHALL NOT BE REPRODUCED OR TRANSFERRED TO OTHER DOCUMENTS OR DISCLOSED TO OTHERS OR USED FOR ANY PURPOSE OTHER THAN THAT WHICH IT WAS OBTAINED WITHOUT THE EXPRESSED WRITTEN CONSENT OF SAMTEC, INC.

DO NOT SCALE DRAWING

SHEET SCALE: 2:1



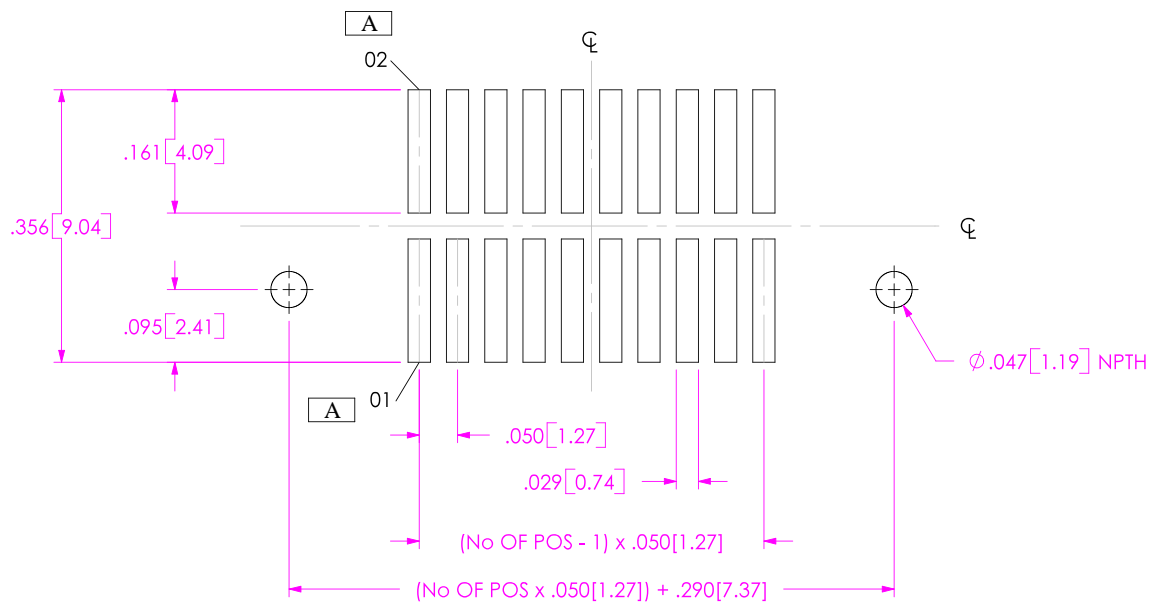
520 PARK EAST BLVD, NEW ALBANY, IN 47150  
PHONE: 812-944-6733 FAX: 812-948-5047  
e-Mail: info@SAMTEC.com code: 55322

DESCRIPTION:  
.050 EJECTOR HEADER ASSEMBLY

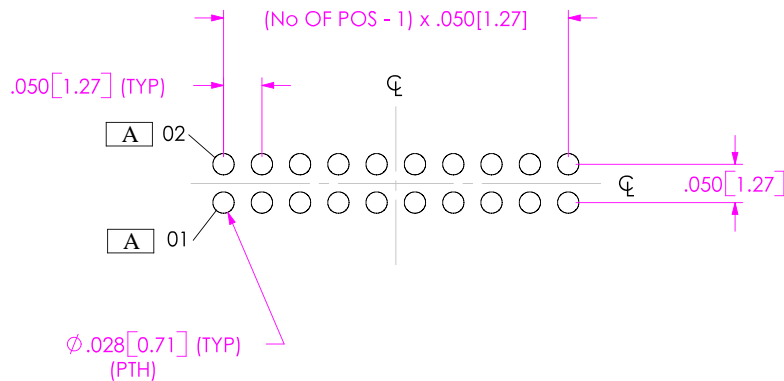
DWG. NO.  
**EHF-1XX-01-XX-D-XX-XX-XX**

BY: ERIC M. 08/17/01 SHEET 3 OF 3

-SM TAIL OPTION



THROUGH HOLE & -RA TAIL OPTION



ALL DIMENSIONS ARE SYMMETRIC ABOUT THE CENTERLINE.



**PROPRIETARY NOTE**

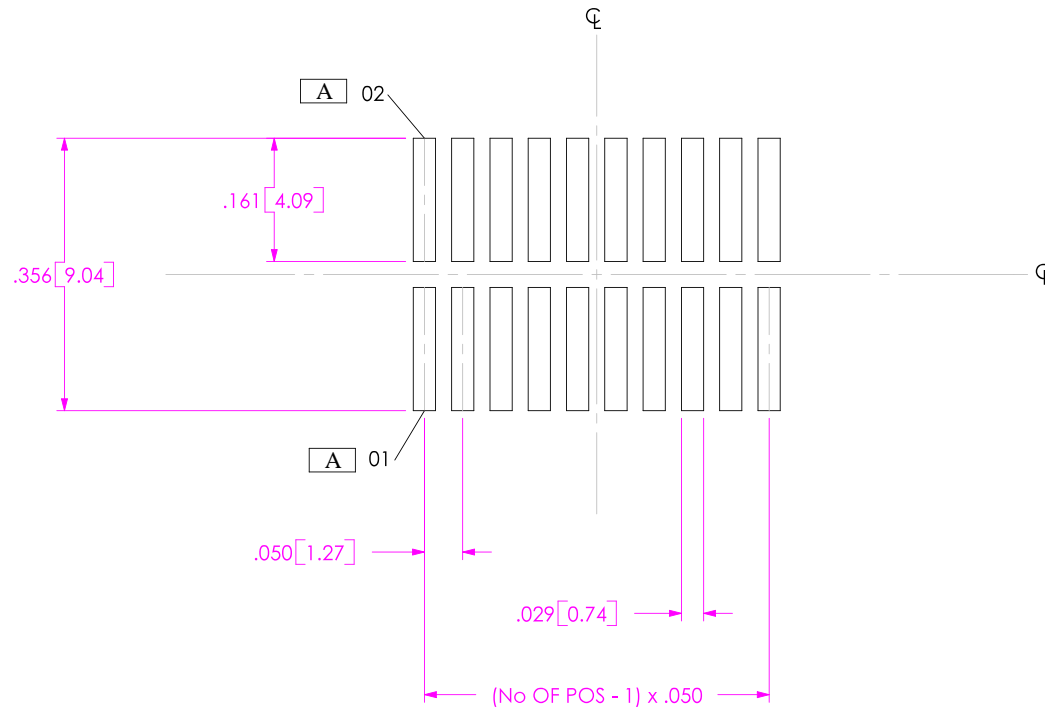
THIS DOCUMENT CONTAINS INFORMATION CONFIDENTIAL AND PROPRIETARY TO SAMTEC, INC. AND SHALL NOT BE REPRODUCED OR TRANSFERRED TO OTHER DOCUMENTS OR DISCLOSED TO OTHERS OR USED FOR ANY PURPOSE OTHER THAN THAT WHICH IT WAS OBTAINED WITHOUT THE EXPRESSED WRITTEN CONSENT OF SAMTEC, INC.

**SAMTEC**

520 PARK EAST BLVD, NEW ALBANY, IN 47150  
 PHONE: 812.944.6733 FAX: 812.948.5047  
 e-Mail: [INFO@SAMTEC.COM](mailto:INFO@SAMTEC.COM) CODE: 55322

NOTE:  
STENCIL TO BE .0060[.152] THICK.

-SM TAIL OPTION



ALL DIMENSIONS ARE SYMMETRIC ABOUT THE CENTERLINE.



**PROPRIETARY NOTE**

THIS DOCUMENT CONTAINS INFORMATION CONFIDENTIAL AND PROPRIETARY TO SAMTEC, INC. AND SHALL NOT BE REPRODUCED OR TRANSFERRED TO OTHER DOCUMENTS OR DISCLOSED TO OTHERS OR USED FOR ANY PURPOSE OTHER THAN THAT WHICH IT WAS OBTAINED WITHOUT THE EXPRESSED WRITTEN CONSENT OF SAMTEC, INC.

**SAMTEC**

520 PARK EAST BLVD, NEW ALBANY, IN 47150  
PHONE: 812.944.6733 FAX: 812.948.5047  
e-Mail: [INFO@SAMTEC.COM](mailto:INFO@SAMTEC.COM) CODE: 55322