



FCIconnect.com

Copyright FCI.

25-06269

List of "SFV__R-1/2STE1HLF" customer document

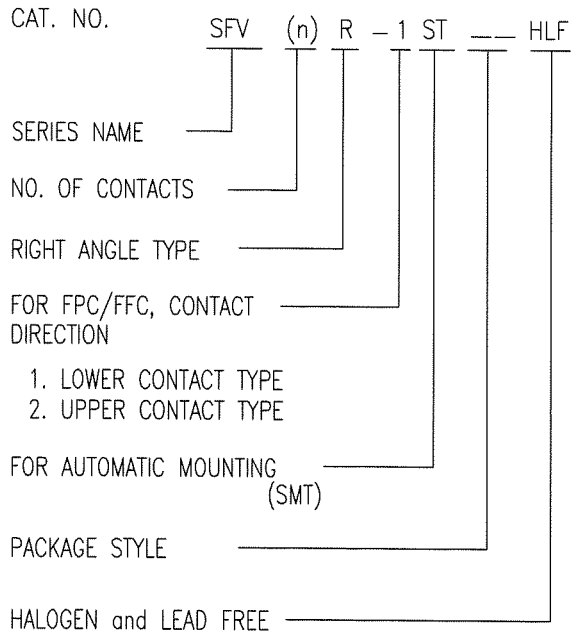
DOCUMENT NO.	LIST
10112793(Sheet1)	DOCUMENT LIST
10112793(Sheet2)	CAT.NO.TABLE FOR 0.5mm CONTACT SPACING CONNECTOR (SFV__R-1/2ST_HLF)
10112793(Sheet3)	CONNECTOR USED FOR FPC/FPC WITH 0.5mm CONTACT SPACING (SFV__R-1ST_HLF)
10112793(Sheet4)	CONNECTOR USED FOR FPC/FPC WITH 0.5mm CONTACT SPACING (SFV__R-2ST_HLF)
10112793(Sheet5)	CAT.NO.TABLE FOR PLASTIC TAPE PACKAGED 0.5mm CONTACT SPACING CONNECTOR (SFV__R-1/2STE1HLF)
10112793(Sheet6)	PLASTIC TAPE PACKAGED 0.5mm CONTACT SPACING CONNECTOR (SFV__R-1STE1HLF)
10112793(Sheet7)	PLASTIC TAPE PACKAGED 0.5mm CONTACT SPACING CONNECTOR (SFV__R-2STE1HLF)
10112793(Sheet8)	RECOMMENDED CABLE (FPC) (SFV__R-1/2ST__LF)
10112793(Sheet9)	RECOMMENDED CABLE (FPC) (SFV__R-1/2ST__)
GS-12-645	SPEC.
BJM-SFV101	HANDLING PROCEDURES

mat'l. code				surface ISO 1302 <input checked="" type="checkbox"/>		tolerance ISO 406 ISO 1101		projection 		product family 58EF		CODE JP	
ltr	ecn no	dr	date	tolerances unless otherwise specified				mm 		title 0.5mm SPACING FPC CONNECTOR DOCUMENT LIST (Cat. No. : SFV__R-1/2STE1HLF)			
A	J10-0028	S.W	2010-2-8	angles	linear			scale \times		dwg no 10112793		sheet 1 of 9	size A4
B	J10-0245	S.W	2010-9-14	dr		2010-9-14				type Product Customer Drawing			
sheet index		revision sheet	B 1	B 2	B 3	B 4	B 5	B 6	B 7	B 8	B 9	Rev B	

form: A4

CAT. NO. & DIMENSIONS

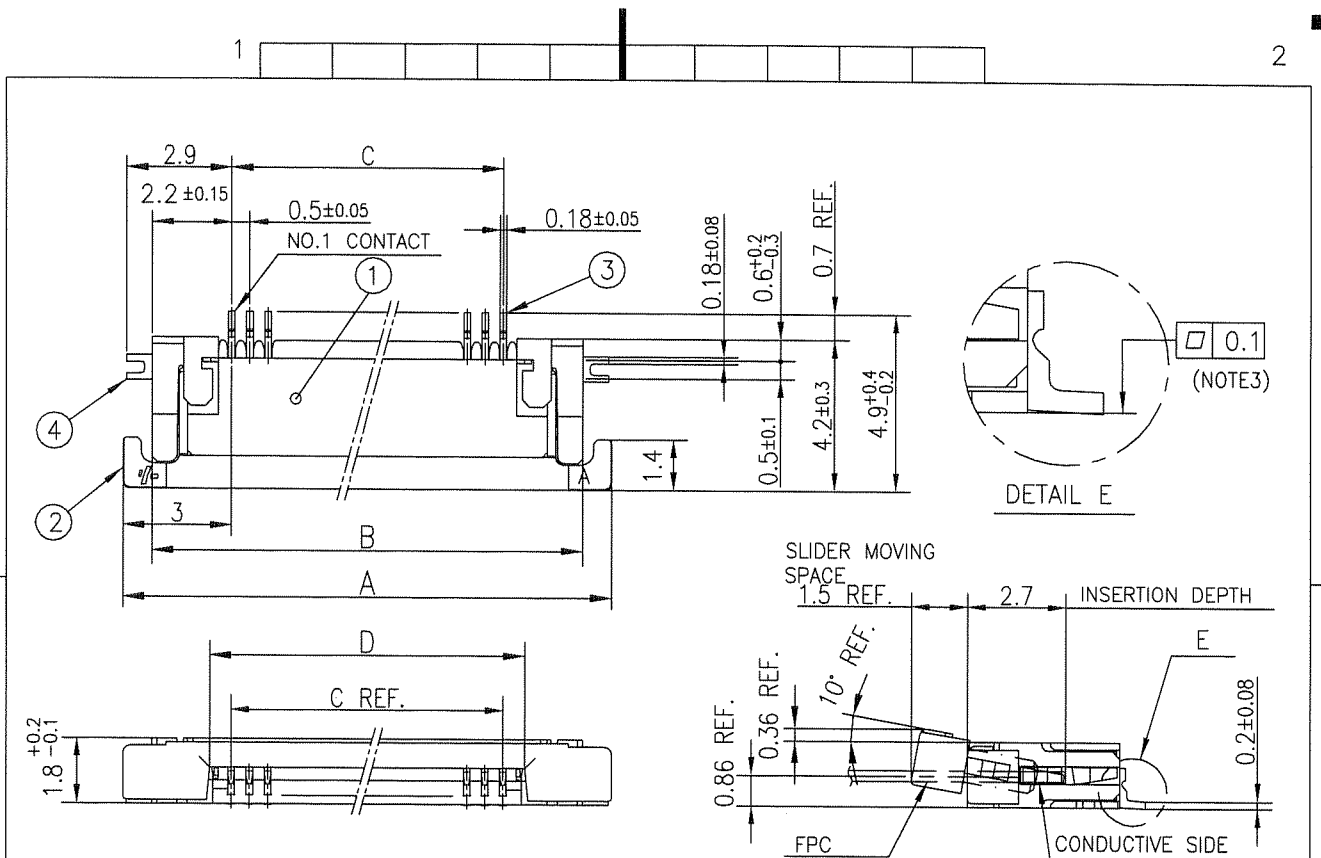
NO. OF CONTACTS (n)	CAT. NO.	DIMENSIONS (NOTE2)			
		A ± 0.2	B ± 0.2	C ± 0.1	D ± 0.1
4	SFV4R-1/2ST__HLF	7.5	5.9	1.5	2.7
5	SFV5R-1/2ST__HLF	8.0	6.4	2.0	3.2
6	SFV6R-1/2ST__HLF	8.5	6.9	2.5	3.7
7	SFV7R-1/2ST__HLF	9.0	7.4	3.0	4.2
8	SFV8R-1/2ST__HLF	9.5	7.9	3.5	4.7
9	SFV9R-1/2ST__HLF	10.0	8.4	4.0	5.2
10	SFV10R-1/2ST__HLF	10.5	8.9	4.5	5.7
11	SFV11R-1/2ST__HLF	11.0	9.4	5.0	6.2
12	SFV12R-1/2ST__HLF	11.5	9.9	5.5	6.7
13	SFV13R-1/2ST__HLF	12.0	10.4	6.0	7.2
14	SFV14R-1/2ST__HLF	12.5	10.9	6.5	7.7
15	SFV15R-1/2ST__HLF	13.0	11.4	7.0	8.2
16	SFV16R-1/2ST__HLF	13.5	11.9	7.5	8.7
17	SFV17R-1/2ST__HLF	14.0	12.4	8.0	9.2
18	SFV18R-1/2ST__HLF	14.5	12.9	8.5	9.7
19	SFV19R-1/2ST__HLF	15.0	13.4	9.0	10.2
20	SFV20R-1/2ST__HLF	15.5	13.9	9.5	10.7
21	SFV21R-1/2ST__HLF	16.0	14.4	10.0	11.2
22	SFV22R-1/2ST__HLF	16.5	14.9	10.5	11.7
23	SFV23R-1/2ST__HLF	17.0	15.4	11.0	12.2
24	SFV24R-1/2ST__HLF	17.5	15.9	11.5	12.7
25	SFV25R-1/2ST__HLF	18.0	16.4	12.0	13.2
26	SFV26R-1/2ST__HLF	18.5	16.9	12.5	13.7
27	SFV27R-1/2ST__HLF	19.0	17.4	13.0	14.2
28	SFV28R-1/2ST__HLF	19.5	17.9	13.5	14.7
29	SFV29R-1/2ST__HLF	20.0	18.4	14.0	15.2
30	SFV30R-1/2ST__HLF	20.5	18.9	14.5	15.7
31	SFV31R-1/2ST__HLF	21.0	19.4	15.0	16.2
32	SFV32R-1/2ST__HLF	21.5	19.9	15.5	16.7
33	SFV33R-1/2ST__HLF	22.0	20.4	16.0	17.2
34	SFV34R-1/2ST__HLF	22.5	20.9	16.5	17.7
35	SFV35R-1/2ST__HLF	23.0	21.4	17.0	18.2



NOTES

1. THIS PRODUCT IS THE CONNECTOR USED FOR FPC AND COPES WITH AUTOMATIC MOUNTING (SMT).
2. SEE PART DRAWINGS FOR DIMENSIONS A~D.

mat'l. code		surface ISO 1302 <input checked="" type="checkbox"/>		tolerance ISO 406 ISO 1101		projection 		product family 58EF		CODE JP	
ltr		ecn no		dr		date		tolerances unless otherwise specified		title CAT. NO. TABLE FOR 0.5 mm CONTACT SPACING CONNECTOR (Cat. No. : SFV__R-1/2ST__HLF)	
B								angles linear		mm	
										scale X	
				dr		2010-9-14		FCJ		dwg no sheet 2 of 9 size	
				enr		2010-9-14				10112793 A4	
				chr		2010-9-14				type Product Customer Drawing	
				appd		Sep 16/10				Rev B	
sheet index		revision sheet									

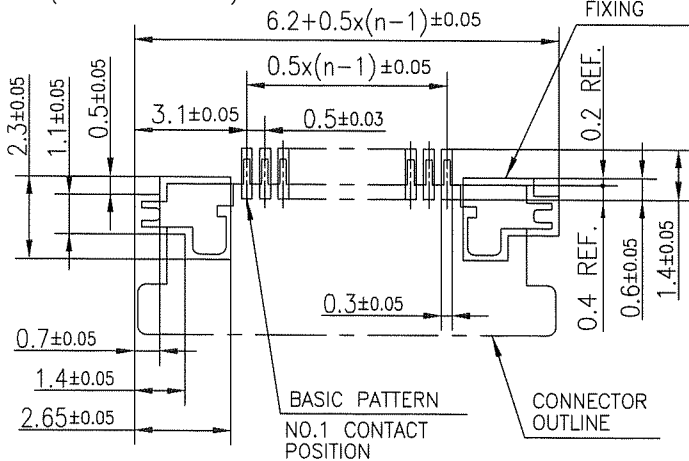


PT. NO.	PARTS NAME	MATERIAL	Q'TY	NOTE
1	HOUSING	13~35pin : LCP RESIN GLASS REINFORCED (UL94V-0)	1	COLOR : BLACK (HALOGEN FREE)
		4~12pin : POLYAMIDE RESIN GLASS REINFORCED (UL94V-0)		
2	SLIDER	PPS RESIN GLASS REINFORCED (UL94V-0)	1	COLOR : BLACK (HALOGEN FREE)
3	CONTACT	PHOSPHOR BRONZE	n	PLATING : THIN TIN
4	MOUNTING PLATE		2	PLATING : LEAD FREE

RECOMMENDED PC BOARD LAYOUT
(COMPONENT SIDE)

PATTERN FOR MOUNTING PLATE FIXING

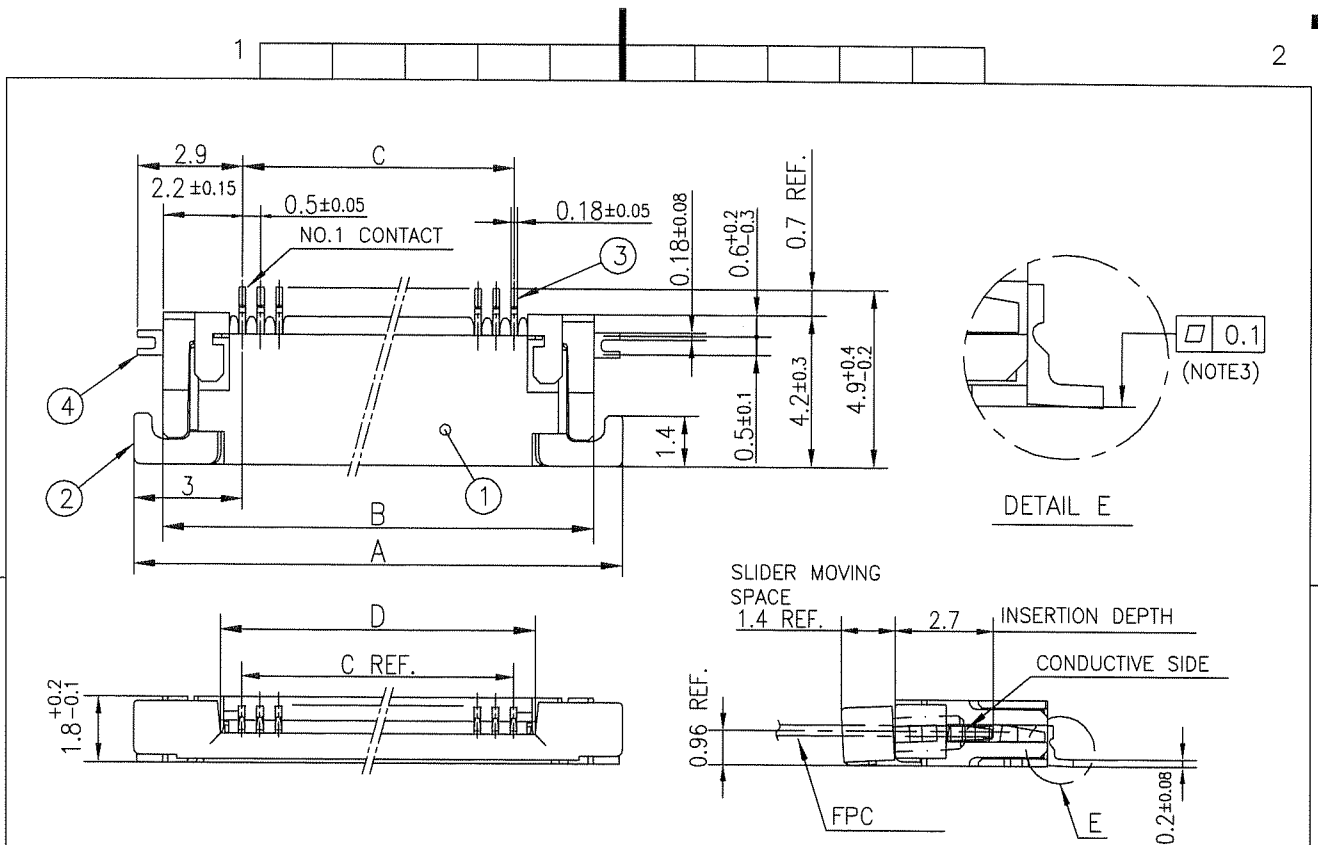
n : NO. OF CONTACTS



NOTES

1. THIS PRODUCT IS THE CONNECTOR USED FOR FPC AND COPS WITH AUTOMATIC MOUNTING (SMT).
2. THIS PRODUCT IS LOWER CONTACT TYPE CONNECTOR.
3. FLATNESS OF CONTACT TERMINAL AND MOUNTING PLATE MUST BE WITHIN TOLERANCE IN E PORTION DETAILED DRAWING.
4. THIS PRODUCT MEETS EUROPEAN UNION DIRECTIVES AND OTHER COUNTRY REGULATIONS AS DESCRIBED IN GS-22-008.
5. THE HOUSING WILL WITHSTAND EXPOSURE TO 260°C PEAK TEMPERATURE FOR 10 SECONDS IN A REFLOW SOLDERING OVEN.

mat'l. code		surface ISO 1302 ✓ ISO 406 ISO 1101		tolerance ISO 406 ISO 1101	projection 	product family 58EF	CODE JP
ltr	ecn no	dr	date	tolerances unless otherwise specified	mm 	title CONNECTOR USED FOR FPC WITH 0.5 mm CONTACT SPACING (Cat No. : SFV__R-1ST__HLF)	
B				angles linear	scale X	dwg no sheet 3 of 9 size	
				dr S. Mithala 2010-9-14		10112793 A4	
				enr P. Mithala 2010-9-14		type Product Customer Drawing	
				chr M. SAMASTI 2010-9-14			
				app M. Mithala Sep16/10			
sheet index	revision sheet						Rev. B

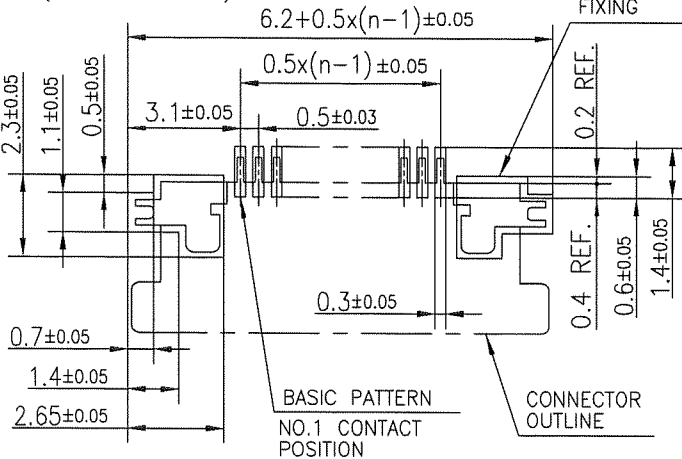


PT. NO.	PARTS NAME	MATERIAL	Q'TY	NOTE
1	HOUSING	13~35pin : LCP RESIN GLASS REINFORCED (UL94V-0)	1	COLOR : BLACK (HALOGEN FREE)
		4~12pin : POLYAMIDE RESIN GLASS REINFORCED (UL94V-0)		
2	SLIDER	PPS RESIN GLASS REINFORCED (UL94V-0)	1	COLOR : BLACK (HALOGEN FREE)
3	CONTACT	PHOSPHOR BRONZE	n	PLATING : THIN TIN
4	MOUNTING PLATE		2	PLATING : LEAD FREE

n : NO. OF CONTACTS

RECOMMENDED PC BOARD LAYOUT
(COMPONENT SIDE)

PATTERN FOR MOUNTING PLATE FIXING



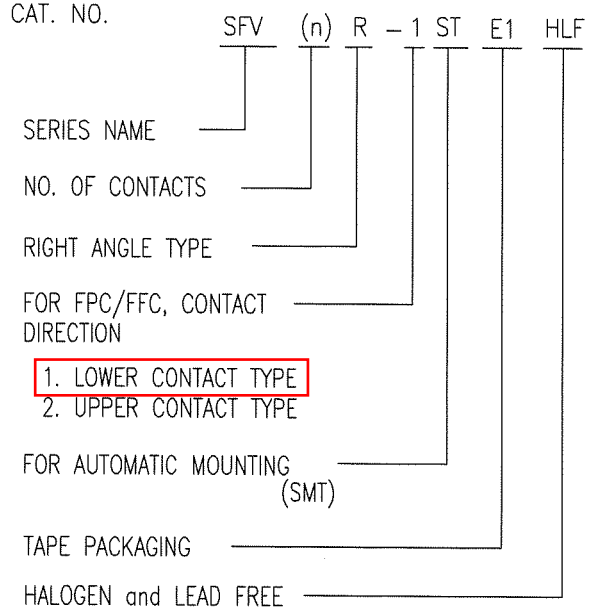
NOTES

- THIS PRODUCT IS THE CONNECTOR USED FOR FPC AND COPE WITH AUTOMATIC MOUNTING (SMT).
- THIS PRODUCT IS UPPER CONTACT TYPE CONNECTOR.
- FLATNESS OF CONTACT TERMINAL AND MOUNTING PLATE MUST BE WITHIN TOLERANCE IN E PORTION DETAILED DRAWING.
- THIS PRODUCT MEETS EUROPEAN UNION DIRECTIVES AND OTHER COUNTRY REGULATIONS AS DESCRIBED IN GS-22-008.
- THE HOUSING WILL WITHSTAND EXPOSURE TO 260°C PEAK TEMPERATURE FOR 10 SECONDS IN A REFLOW SOLDERING OVEN.

mat'l. code		surface ISO 1302 ✓ tolerances unless otherwise specified		tolerance ISO 406 ISO 1101		projection mm		product family 58EF		CODE JP	
ltr		ecn no		dr		date		title CONNECTOR USED FOR FPC WITH 0.5 mm CONTACT SPACING (Cat. No. : SFV__R-2ST__HLF)		sheet 4 of 9	
B				angles		linear		scale X		size A4	
				dr		2010-9-14		FCJ		dwg no 10112793	
				enr		2010-9-14				type Product Customer Drawing	
				chr		2010-9-14				Rev. B	
				app		Sep 16/10				D	
sheet index		revision sheet									

CAT. NO. & DIMENSIONS

NO. OF CONTACTS (n)	CAT. NO.	DIMENSIONS (NOTE3)		
		F ± 5	G ± 0.3	H ± 0.1
4	SFV4R-1/2STE1HLF	20.4	16	—
5	SFV5R-1/2STE1HLF	20.4	16	—
6	SFV6R-1/2STE1HLF	20.4	16	—
7	SFV7R-1/2STE1HLF	28.4	24	—
8	SFV8R-1/2STE1HLF	28.4	24	—
9	SFV9R-1/2STE1HLF	28.4	24	—
10	SFV10R-1/2STE1HLF	28.4	24	—
11	SFV11R-1/2STE1HLF	28.4	24	—
12	SFV12R-1/2STE1HLF	28.4	24	—
13	SFV13R-1/2STE1HLF	28.4	24	—
14	SFV14R-1/2STE1HLF	28.4	24	—
15	SFV15R-1/2STE1HLF	28.4	24	—
16	SFV16R-1/2STE1HLF	28.4	24	—
17	SFV17R-1/2STE1HLF	28.4	24	—
18	SFV18R-1/2STE1HLF	28.4	24	—
19	SFV19R-1/2STE1HLF	28.4	24	—
20	SFV20R-1/2STE1HLF	28.4	24	—
21	SFV21R-1/2STE1HLF	28.4	24	—
22	SFV22R-1/2STE1HLF	28.4	24	—
23	SFV23R-1/2STE1HLF	36.4	32	28.4
24	SFV24R-1/2STE1HLF	36.4	32	28.4
25	SFV25R-1/2STE1HLF	36.4	32	28.4
26	SFV26R-1/2STE1HLF	36.4	32	28.4
27	SFV27R-1/2STE1HLF	36.4	32	28.4
28	SFV28R-1/2STE1HLF	36.4	32	28.4
29	SFV29R-1/2STE1HLF	36.4	32	28.4
30	SFV30R-1/2STE1HLF	36.4	32	28.4
31	SFV31R-1/2STE1HLF	48.4	44	40.4
32	SFV32R-1/2STE1HLF	48.4	44	40.4
33	SFV33R-1/2STE1HLF	48.4	44	40.4
34	SFV34R-1/2STE1HLF	48.4	44	40.4
35	SFV35R-1/2STE1HLF	48.4	44	40.4



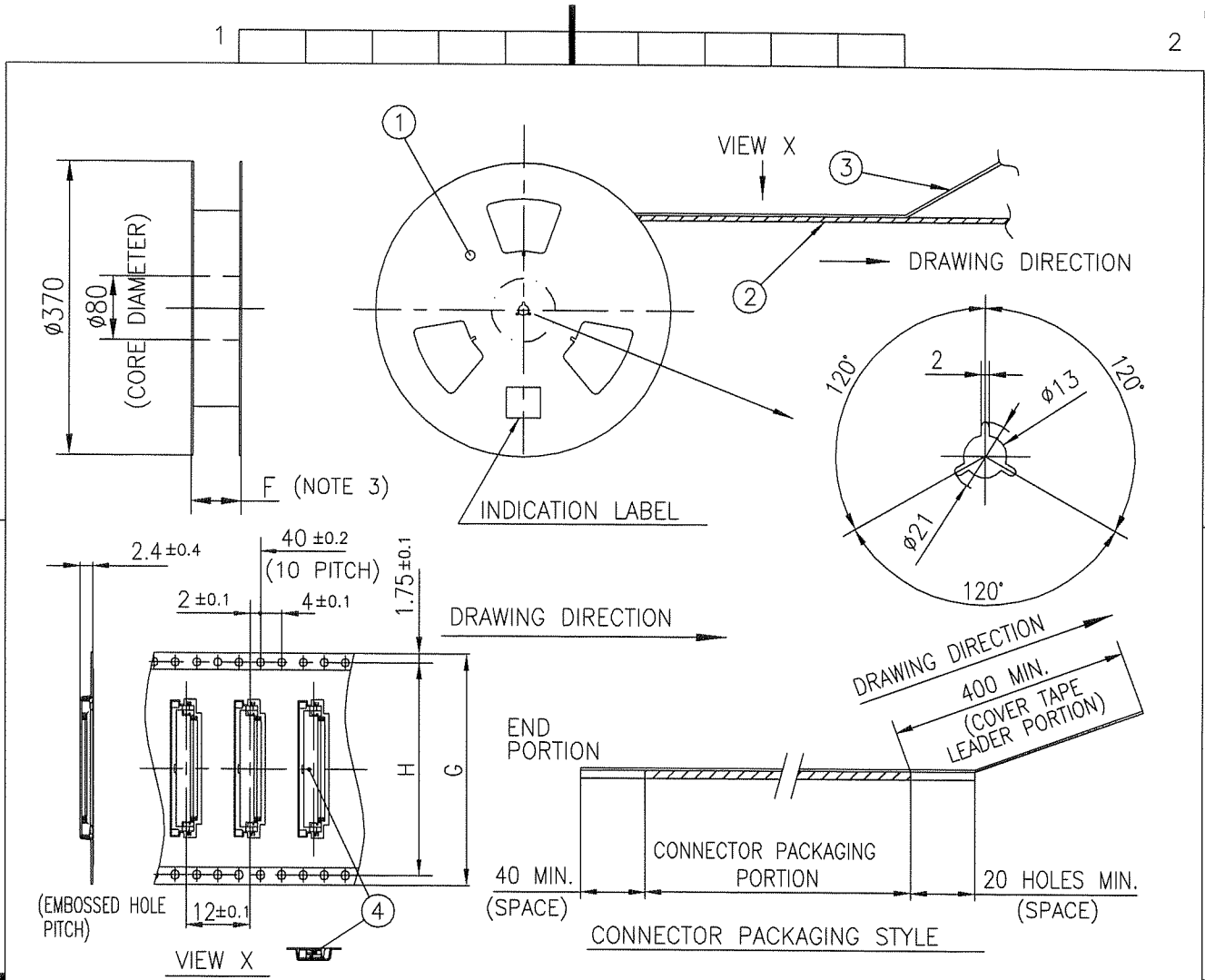
NOTES

1. THIS PRODUCT IS THE CONNECTOR USED FOR FPC AND COPEs WITH AUTOMATIC MOUNTING (SMT).
2. THIS CATALOG NO. INDICATES PLASTIC TAPE PACKAGED CONNECTOR.
3. SEE PART DRAWINGS FOR DIMENSIONS F~H.



Copyright FCI.

mat'l. code				surface ISO 1302 ✓	tolerance ISO 406 ISO 1101	projection 	product family 58EF	CODE JP
ltr	ecn no	dr	date	tolerances unless otherwise specified		mm →	title CAT. NO. TABLE FOR PLASTIC TAPE PACKAGED 0.5 mm CONTACT SPACING CONNECTOR (Cat. No. : SFV__R-1/2STE1HLF)	
B				angles	linear		scale X	
		dr	<i>S. Kishida</i> 2010-9-14				dwg no	
		enrg	<i>E. Kishida</i> 2010-9-14				sheet 5 of 9	
		chr	<i>M. Y. Hsu</i> 2010-9-14				10112793	
		appd	<i>M. Kato</i> Sept 10				size A4	
sheet index		revision sheet				type Product Customer Drawing		Rev. B



PT. NO.	PARTS NAME	CAT. NO.	MATERIAL	Q'TY	NOTE
1	REEL	_____	CARDBOARD	1	COLOR : WHITE
2	PLASTIC (EMBOSS) TAPE	_____	A-PET	_____	COLOR : TRANSPARENCY
3	COVER	_____	POLYESTER	_____	COLOR : TRANSPARENCY
4	CONNECTOR	SFV__R-1ST_HLF	SEE ATTACHED DWG.	3000	LOWER CONTACT TYPE

NOTES

1. THIS IS PLASTIC TAPE PACKAGED CONNECTOR USED FOR FPC AND COPES WITH AUTOMATIC MOUNTING (SMT).
2. SEE JIS C 0806 (PACKING OF ELECTRONIC COMPONENTS ON CONTINUOUS TAPES (SURFACE MOUNTING DEVICES)) FOR SHAPE AND DIMENSIONS OF PLASTIC (EMBOSS) TAPE AND REEL.
3. F DIMENSION IS PORTION OF THE CORE.

mat'l. code		surface 58 ✓ ISO 1302		tolerance ISO 406 ISO 1101		projection		product family 58EF		CODE JP	
ltr	ecn	no	dr	date		tolerances unless otherwise specified		title		PLASTIC TAPE PACKAGED 0.5 mm CONTACT SPACING CONNECTOR (Cat. No. : SFV__R-1STE1HLF)	
B						angles ±5		mm		dwg no 10112793	
						linear ±5'		scale X		sheet 6 of 9 size A4	
				dr S. Mitani 2010-9-14				FCJ		type Product Customer Drawing	
				enr S. Mitani 2010-9-14							
				chr H. YAMASHITA 2010-9-14							
				app MCM Sep 16/10							
sheet index	revision sheet										Rev B

form: A4



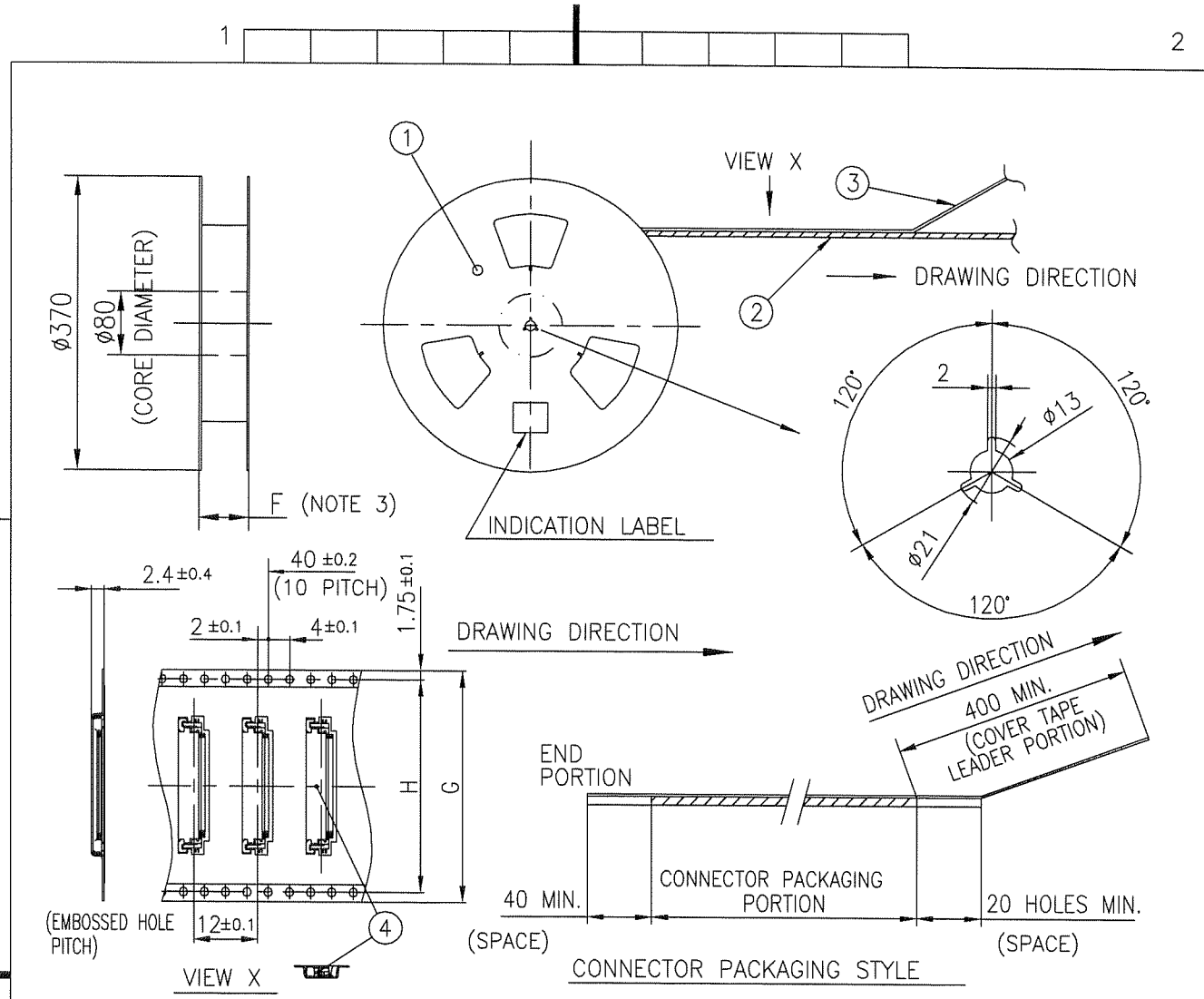
FCIconnect.com

Copyright FCI.



FCJconnect.com

Copyright FCJ.



PT. NO.	PARTS NAME	CAT. NO.	MATERIAL	Q'TY	NOTE
1	REEL	_____	CARDBOARD	1	COLOR : WHITE
2	PLASTIC (EMBOSS) TAPE	_____	A-PET	_____	COLOR : TRANSPARENCY
3	COVER	_____	POLYESTER	_____	COLOR : TRANSPARENCY
4	CONNECTOR	SFV__R-2ST_HLF	SEE ATTACHED DWG.	3000	UPPER CONTACT TYPE

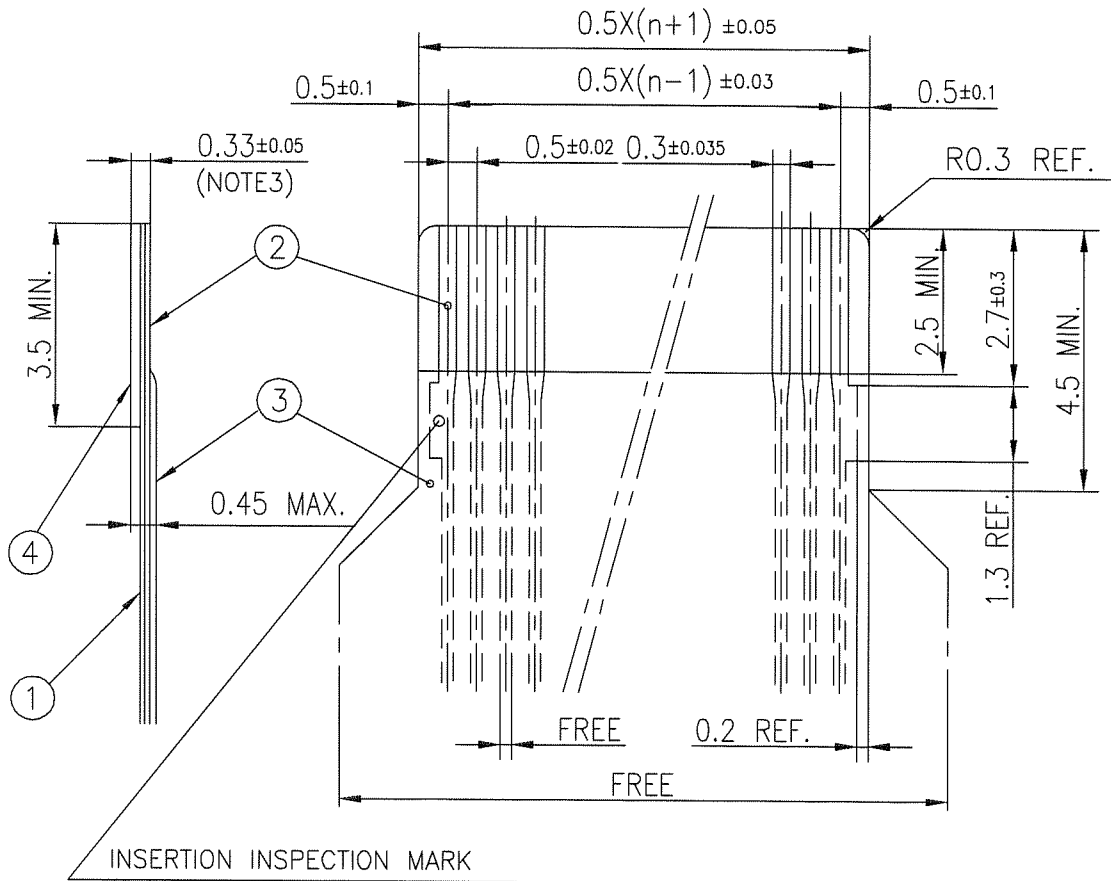
NOTES

1. THIS IS PLASTIC TAPE PACKAGED CONNECTOR USED FOR FPC AND COPES WITH AUTOMATIC MOUNTING (SMT).
2. SEE JIS C 0806 (PACKING OF ELECTRONIC COMPONENTS ON CONTINUOUS TAPES (SURFACE MOUNTING DEVICES)) FOR SHAPE AND DIMENSIONS OF PLASTIC (EMBOSS) TAPE AND REEL.
3. F DIMENSION IS PORTION OF THE CORE.

mat'l. code		surface ISO 1302 <input checked="" type="checkbox"/>		tolerance ISO 406 ISO 1101		projection 		product family 58EF		CODE JP	
ltr	ecn no	dr	date	tolerances unless otherwise specified		mm		title PLASTIC TAPE PACKAGED 0.5 mm CONTACT SPACING CONNECTOR (Cat. No. : SFV__R-2STE1HLF)			
B				angles	linear	mm		dwg no		sheet 7 of 9	
				±5'		scale \times		10112793		size A4	
				dr	engr	chr	appa	FCJ		type Product Customer Drawing	
				S. M. M. S.	S. M. M. S.	M. YAMAGUCHI	M. M. S.			Rev. B	
				2010-9-14	2010-9-14	2010-9-14	Sep 16/10			D	
sheet index	revision sheet										

RECOMMENDED CABLE (FPC)

n : NO. OF CONTACTS



PT. NO.	PARTS NAME	MATERIAL	THICKNESS (μm)
1	BASE FILM	POLYIMIDE OR POLYESTER OR EQUAL	25
2	CONDUCTOR	COPPER FOIL(PLATING : SOLDER 1μm MIN.)	35
3	OVERLAY	POLYIMIDE OR POLYESTER OR EQUAL	—
4	SUPPORTING TAPE	POLYESTER OR POLYIMIDE OR EQUAL	188

NOTES

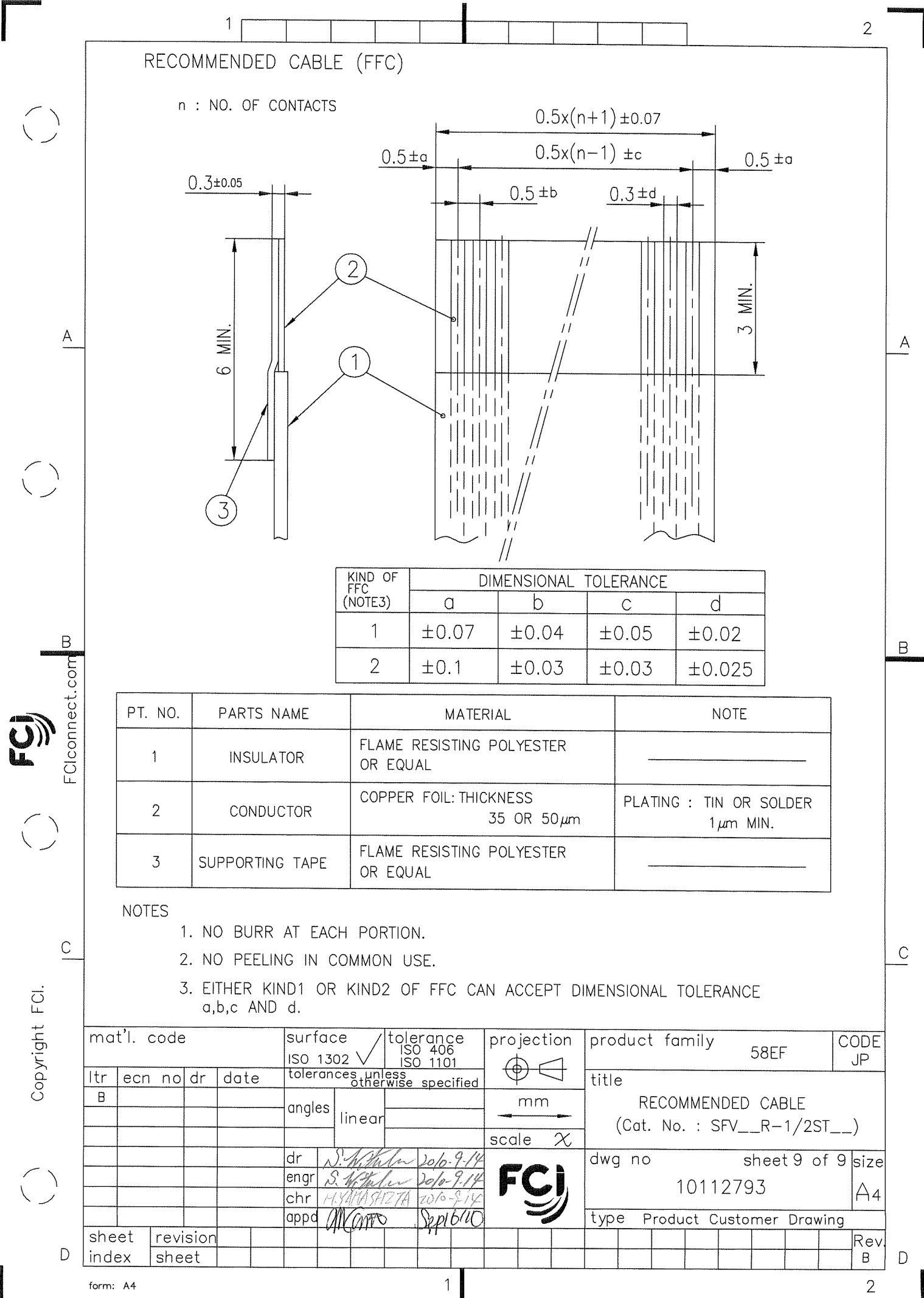
1. NO BURR AT EACH PORTION.
2. NO PEELING IN COMMON USE.
3. TOTAL THICKNESS LIMIT OF EACH MATERIAL (INCLUDING ADHESIVE AGENT) IS SPECIFIED.

mat'l. code				surface ISO 1302 ✓ tolerances unless otherwise specified		tolerance ISO 406 ISO 1101		projection mm		product family 58EF		CODE JP
ltr	ecn no	dr	date	angles	linear	mm		scale X		title RECOMMENDED CABLE (Cat. No. : SFV__R-1/2ST__)		
B										dwg no 10112793		sheet 8 of 9
				dr	enr	chr	app	FCJ		size A4		
										type Product Customer Drawing		
sheet index	revision sheet											Rev B

form: A4

1

2



RECOMMENDED CABLE (FFC)

n : NO. OF CONTACTS

KIND OF FFC (NOTE3)	DIMENSIONAL TOLERANCE			
	a	b	c	d
1	±0.07	±0.04	±0.05	±0.02
2	±0.1	±0.03	±0.03	±0.025

PT. NO.	PARTS NAME	MATERIAL	NOTE
1	INSULATOR	FLAME RESISTING POLYESTER OR EQUAL	_____
2	CONDUCTOR	COPPER FOIL: THICKNESS 35 OR 50µm	PLATING : TIN OR SOLDER 1µm MIN.
3	SUPPORTING TAPE	FLAME RESISTING POLYESTER OR EQUAL	_____

NOTES

1. NO BURR AT EACH PORTION.
2. NO PEELING IN COMMON USE.
3. EITHER KIND1 OR KIND2 OF FFC CAN ACCEPT DIMENSIONAL TOLERANCE a,b,c AND d.

mat'l. code				surface ISO 1302 ✓	tolerance ISO 406 ISO 1101	projection ⊕	product family 58EF	CODE JP
ltr	ecn no	dr	date	tolerances unless otherwise specified		mm ↔	title RECOMMENDED CABLE (Cat. No. : SFV__R-1/2ST__)	
B				angles	linear		scale	∞
		dr	S. H. Takeda 2010-9-14			FCJ	dwg no 10112793	
		enrg	S. H. Takeda 2010-9-14				sheet 9 of 9 size A4	
		chr	HYUNASHIZTA 2010-9-14				type Product Customer Drawing	
		appd	M. K. O. S. Sept 16/10					
sheet index	revision sheet							Rev. B