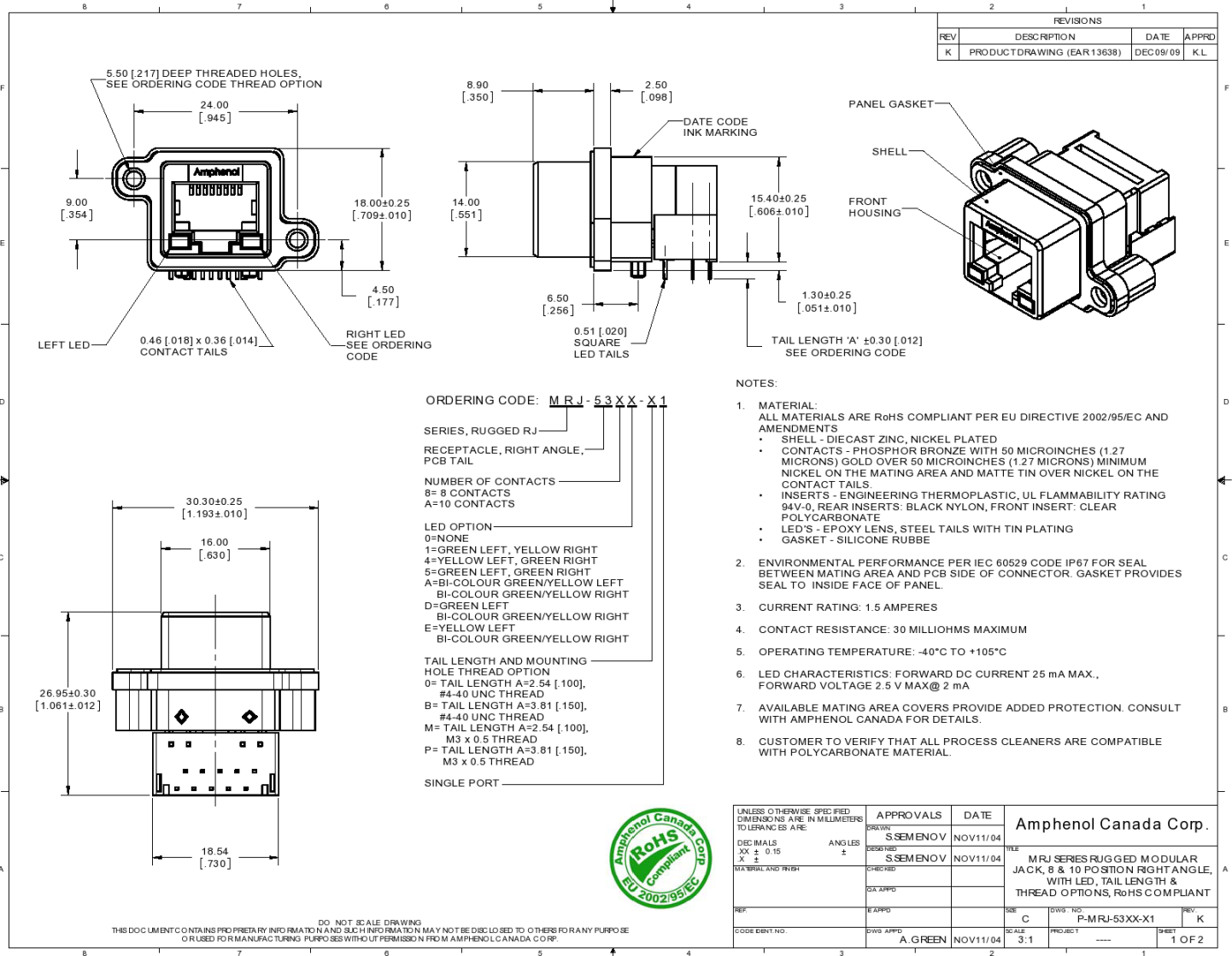


25-06264



REVISIONS			
REV	DESCRIPTION	DATE	APPRD
K	PRODUCT DRAWING (EAR13638)	DEC 09/09	K.L

ORDERING CODE: **M.R.J - 5.3 X X - X 1**

SERIES, RUGGED RJ
RECEPTACLE, RIGHT ANGLE,
PCB TAIL

NUMBER OF CONTACTS
8= 8 CONTACTS
A=10 CONTACTS

LED OPTION
0=NONE
1=GREEN LEFT, YELLOW RIGHT
4=YELLOW LEFT, GREEN RIGHT
5=GREEN LEFT, GREEN RIGHT
A=BI-COLOUR GREEN/YELLOW LEFT
BI-COLOUR GREEN/YELLOW RIGHT
D=GREEN LEFT
BI-COLOUR GREEN/YELLOW RIGHT
E=YELLOW LEFT
BI-COLOUR GREEN/YELLOW RIGHT

TAIL LENGTH AND MOUNTING
HOLE THREAD OPTION
0= TAIL LENGTH A=2.54 [100],
#4-40 UNC THREAD
B= TAIL LENGTH A=3.81 [150],
#4-40 UNC THREAD
M= TAIL LENGTH A=2.54 [100],
M3 x 0.5 THREAD
P= TAIL LENGTH A=3.81 [150],
M3 x 0.5 THREAD

SINGLE PORT

NOTES:

- MATERIAL:
ALL MATERIALS ARE RoHS COMPLIANT PER EU DIRECTIVE 2002/95/EC AND AMENDMENTS
• SHELL - DIECAST ZINC, NICKEL PLATED
• CONTACTS - PHOSPHOR BRONZE WITH 50 MICROINCHES (1.27 MICRONS) GOLD OVER 50 MICROINCHES (1.27 MICRONS) MINIMUM NICKEL ON THE MATING AREA AND MATTE TIN OVER NICKEL ON THE CONTACT TAILS
• INSERTS - ENGINEERING THERMOPLASTIC, UL FLAMMABILITY RATING 94V-0, REAR INSERTS: BLACK NYLON, FRONT INSERT: CLEAR POLYCARBONATE
• LED'S - EPOXY LENS, STEEL TAILS WITH TIN PLATING
• GASKET - SILICONE RUBBE
- ENVIRONMENTAL PERFORMANCE PER IEC 60529 CODE IP67 FOR SEAL BETWEEN MATING AREA AND PCB SIDE OF CONNECTOR. GASKET PROVIDES SEAL TO INSIDE FACE OF PANEL.
- CURRENT RATING: 1.5 AMPERES
- CONTACT RESISTANCE: 30 MILLIOHMS MAXIMUM
- OPERATING TEMPERATURE: -40°C TO +105°C
- LED CHARACTERISTICS: FORWARD DC CURRENT 25 mA MAX., FORWARD VOLTAGE 2.5 V MAX@ 2 mA
- AVAILABLE MATING AREA COVERS PROVIDE ADDED PROTECTION. CONSULT WITH AMPHENOL CANADA FOR DETAILS.
- CUSTOMER TO VERIFY THAT ALL PROCESS CLEANERS ARE COMPATIBLE WITH POLYCARBONATE MATERIAL.

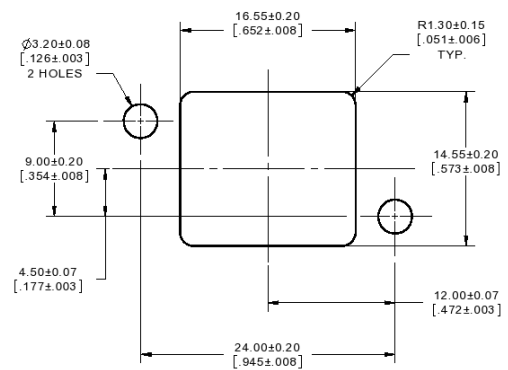
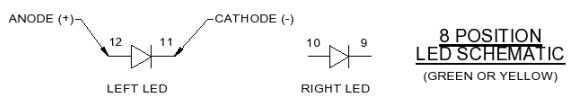
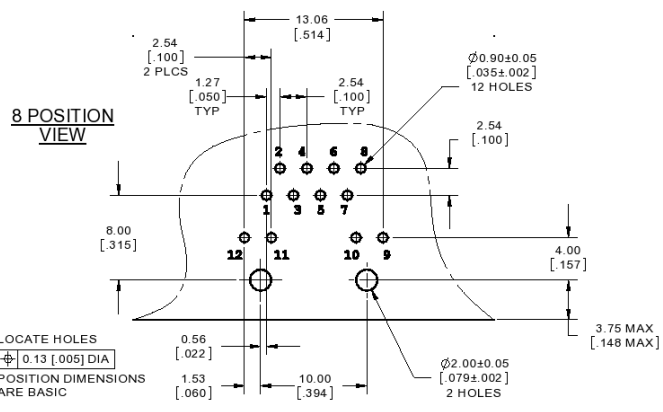


UNLESS OTHERWISE SPECIFIED DIMENSIONS ARE IN MILLIMETERS TO LEFVANC ES ARE:		APPROVALS	DATE	Amphenol Canada Corp.
DESIGNED BY	ANGLES	S. SEMENOV	NOV11/04	
DRAWN BY	±	S. SEMENOV	NOV11/04	MRJ SERIES RUGGED MODULAR JACK, 8 & 10 POSITION RIGHT ANGLE, WITH LED, TAIL LENGTH & THREAD OPTIONS, RoHS COMPLIANT
CHECKED BY	±			
MATERIAL AND FINISH				
QA APPR				
REF	EAPPR			
CODE ENTY NO.	DWG APPR	A. GREEN	NOV11/04	SIZE: C SCALE: 3:1 PROJECT: ---- SHEET: 1 OF 2

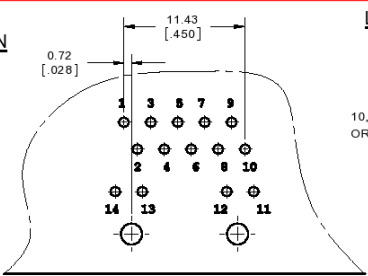
DO NOT SCALE DRAWING
THIS DOCUMENT CONTAINS PROPRIETARY INFORMATION AND SUCH INFORMATION MAY NOT BE DISCLOSED TO OTHERS FOR ANY PURPOSE OR USED FOR MANUFACTURING PURPOSES WITHOUT PERMISSION FROM AMPHENOL CANADA CORP.

REVISIONS			
REV	DESCRIPTION	DATE	APPRD
K	PRODUCT DRAWING (EAR13638)	DEC 09/09	K.L

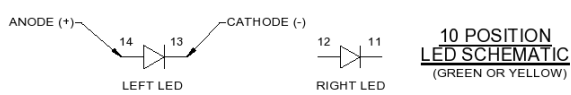
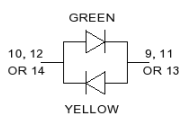
RECOMMENDED P.C.B. LAYOUT
(COMPONENT SIDE OF BOARD)



10 POSITION VIEW



BI-COLOUR LED SCHEMATIC
(LEFT OR RIGHT SIDE, 8 OR 10 POSITION)



DO NOT SCALE DRAWING
 THIS DOCUMENT CONTAINS PROPRIETARY INFORMATION AND SUCH INFORMATION MAY NOT BE DISCLOSED TO OTHERS FOR ANY PURPOSE OR USED FOR MANUFACTURING PURPOSES WITHOUT PERMISSION FROM AMPHENOL CANADA CORP.

UNLESS OTHERWISE SPECIFIED DIMENSIONS ARE IN MILLIMETERS TO LEADING DIGITS ARE:	APPROVALS	DATE	Amphenol Canada Corp.
	DESIGNED: S.SEMENOV	NOV11/04	
DECIMALS: XX ± 0.15	CHECKED: S.SEMENOV	NOV11/04	MRJ SERIES RUGGED MODULAR JACK, 8 & 10 POSITION RIGHT ANGLE, WITH LED, TAIL LENGTH & THREAD OPTIONS, RoHS COMPLIANT
ANGLES: X ±	DATE APPROVED: S.SEMENOV	NOV11/04	
MATERIAL AND FINISH	DATE APPROVED: A.GREEN	NOV11/04	SIZE: C
REF:	DWG APPR: A.GREEN	NOV11/04	DWG NO: P-MRJ-53XX-X1
CODE ENT NO:	SCALE: 3:1	PROJECT: ----	REV: K
			SHEET: 2 OF 2