



## Wideband, Voltage-Feedback OPERATIONAL AMPLIFIER with Disable

 Check for Samples: [OPA690](#)

### FEATURES

- **FLEXIBLE SUPPLY RANGE:**  
+5V to +12V Single Supply  
±2.5V to ±5V Dual Supply
- **UNITY-GAIN STABLE: 500MHz (G = 1)**
- **HIGH OUTPUT CURRENT: 190mA**
- **OUTPUT VOLTAGE SWING: ±4.0V**
- **HIGH SLEW RATE: 1800V/μs**
- **LOW SUPPLY CURRENT: 5.5mA**
- **LOW DISABLE CURRENT: 100μA**
- **WIDEBAND +5V OPERATION: 220MHz (G = 2)**

### APPLICATIONS

- VIDEO LINE DRIVING
- xDSL LINE DRIVER/RECEIVER
- HIGH-SPEED IMAGING CHANNELS
- ADC BUFFERS
- PORTABLE INSTRUMENTS
- TRANSIMPEDANCE AMPLIFIERS
- ACTIVE FILTERS

### DESCRIPTION

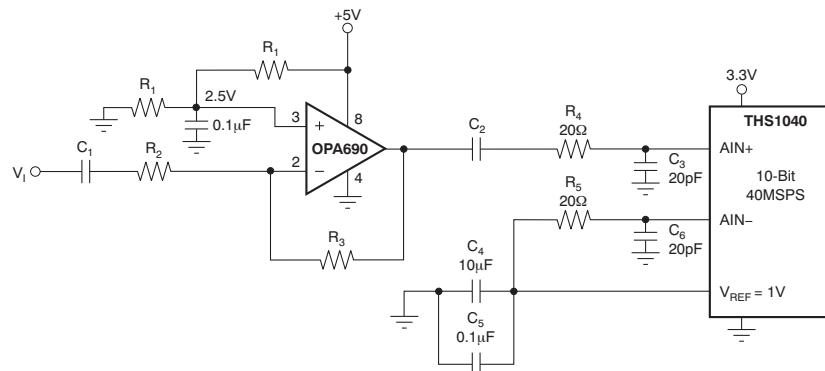
The OPA690 represents a major step forward in unity-gain stable, voltage-feedback op amps. A new internal architecture provides slew rate and full-power bandwidth previously found only in wideband, current-feedback op amps. A new output stage architecture delivers high currents with a minimal headroom requirement. These combine to give exceptional single-supply operation. Using a single +5V supply, the OPA690 can deliver a 1V to 4V output swing with over 150mA drive current and 150MHz bandwidth. This combination of features makes the OPA690 an ideal RGB line driver or single-supply Analog-to-Digital Converter (ADC) input driver.

The low 5.5mA supply current of the OPA690 is precisely trimmed at +25°C. This trim, along with low temperature drift, gives lower maximum supply current than competing products. System power may be reduced further using the optional disable control pin. Leaving this disable pin open, or holding it HIGH, will operate the OPA690 normally. If pulled LOW, the OPA690 supply current drops to less than 100μA while the output goes to a high-impedance state. This feature may be used for power savings.

### OPA690 RELATED PRODUCTS

	SINGLES	DUALS	TRIPLES
Voltage-Feedback	—	<a href="#">OPA2690</a>	<a href="#">OPA3690</a>
Current-Feedback	<a href="#">OPA691</a>	<a href="#">OPA2691</a>	<a href="#">OPA3691</a>
Fixed Gain	<a href="#">OPA692</a>	—	<a href="#">OPA3692</a>

### Single-Supply ADC Driver



Please be aware that an important notice concerning availability, standard warranty, and use in critical applications of Texas Instruments semiconductor products and disclaimers thereto appears at the end of this data sheet.

All trademarks are the property of their respective owners.



This integrated circuit can be damaged by ESD. Texas Instruments recommends that all integrated circuits be handled with appropriate precautions. Failure to observe proper handling and installation procedures can cause damage.

ESD damage can range from subtle performance degradation to complete device failure. Precision integrated circuits may be more susceptible to damage because very small parametric changes could cause the device not to meet its published specifications.

**ORDERING INFORMATION<sup>(1)</sup>**

PRODUCT	PACKAGE-LEAD	PACKAGE DESIGNATOR	SPECIFIED TEMPERATURE RANGE	PACKAGE MARKING	ORDERING NUMBER	TRANSPORT MEDIA, QUANTITY
OPA690	SO-8	D	-40°C to +85°C	OPA690	OPA690ID	Rails, 100
					OPA690IDR	Tape and Reel, 2500
OPA690	SOT23-6	DBV	-40°C to +85°C	OAEI	OPA690IDBVT	Tape and Reel, 250
					OPA690IDBVR	Tape and Reel, 3000

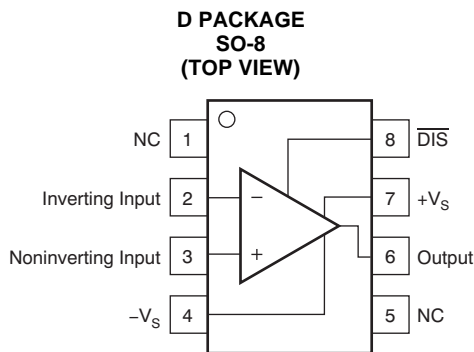
(1) For the most current package and ordering information, see the Package Option Addendum located at the end of this data sheet, or see the TI web site at [www.ti.com](http://www.ti.com).

**ABSOLUTE MAXIMUM RATINGS<sup>(1)</sup>**

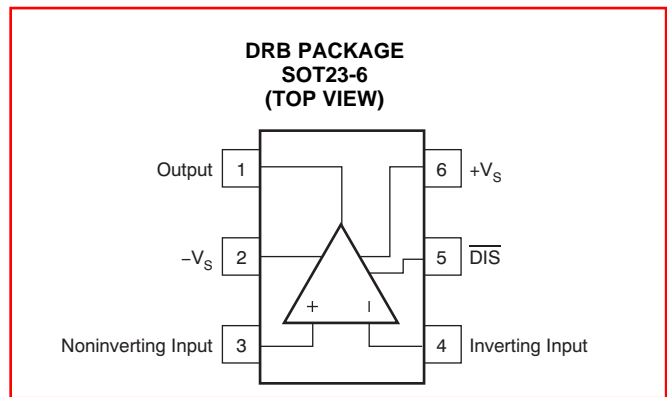
Over operating free-air temperature range, unless otherwise noted.

	OPA690	UNIT
Power Supply	±6.5	V <sub>DC</sub>
Internal Power Dissipation	See <a href="#">Thermal Analysis</a> section	
Differential Input Voltage	±1.2	V
Input Voltage Range	±V <sub>S</sub>	V
Storage Temperature Range: D, DBV	-65 to +125	°C
Junction Temperature (T <sub>J</sub> )	+175	°C
ESD Ratings	Human Body Model (HBM)	2000
	Charge Device Model (CDM)	1500
	Machine Model (MM)	200

(1) Stresses above these ratings may cause permanent damage. Exposure to absolute maximum conditions for extended periods may degrade device reliability. These are stress ratings only, and functional operation of the device at these or any other conditions beyond those specified is not supported.



NOTE: NC = not connected.



Pin Orientation/Package Marking

**ELECTRICAL CHARACTERISTICS:  $V_S = \pm 5V$** 
**Boldface** limits are tested at **+25°C**.

At  $R_F = 402\Omega$ ,  $R_L = 100\Omega$ , and  $G = +2$  (see [Figure 36](#) for ac performance only), unless otherwise noted.

PARAMETER	TEST CONDITIONS	OPA690ID, IDBV						TEST LEVELS <sup>(1)</sup>	
		TYP	MIN/MAX OVER TEMPERATURE				UNIT		MIN/MAX
			+25°C	+25°C <sup>(2)</sup>	0°C to +70°C <sup>(3)</sup>	-40°C to +85°C <sup>(3)</sup>			
<b>AC PERFORMANCE (see <a href="#">Figure 36</a>)</b>									
Small-Signal Bandwidth	$G = +1, V_O = 0.5V_{PP}, R_F = 25\Omega$	500					MHz	typ	C
	$G = +2, V_O = 0.5V_{PP}$	220	165	160	150		MHz	min	B
	$G = +10, V_O = 0.5V_{PP}$	30	20	19	18		MHz	min	B
Gain Bandwidth Product	$G \geq 10$	300	200	190	180		MHz	min	B
Bandwidth for 0.1dB Gain Flatness	$G = +2, V_O < 0.5V_{PP}$	30					MHz	typ	C
Peaking at a Gain of +1	$V_O < 0.5V_{PP}$	4					dB	typ	C
Large-Signal Bandwidth	$G = +2, V_O < 0.5V_{PP}$	200					MHz	typ	C
Slew Rate	$G = +2, 4V$ Step	1800	1400	1200	900		V/ $\mu$ s	min	B
Rise-and-Fall Time	$G = +2, V_O = 0.5V$ Step	1.4					ns	typ	C
	$G = +2, V_O = 5V$ Step	2.8					ns	typ	C
Settling Time to 0.02%	$G = +2, V_O = 2V$ Step	12					ns	typ	C
Settling Time to 0.1%	$G = +2, V_O = 2V$ Step	8					ns	typ	C
Harmonic Distortion	$G = +2, f = 5MHz, V_O = 2V_{PP}$								
2nd-Harmonic	$R_L = 100\Omega$	-68	-64	-62	-60		dBc	max	B
	$R_L \geq 500\Omega$	-77	-70	-68	-66		dBc	max	B
3rd-Harmonic	$R_L = 100\Omega$	-70	-68	-66	-64		dBc	max	B
	$R_L \geq 500\Omega$	-81	-78	-76	-75		dBc	max	B
Input Voltage Noise	$f > 1MHz$	5.5					nV/ $\sqrt{Hz}$	typ	C
Input Current Noise	$f > 1MHz$	3.1					pA/ $\sqrt{Hz}$	typ	C
Differential Gain	$G = +2, NTSC, V_O = 1.4V_P, R_L = 150\Omega$	0.06					%	typ	C
Differential Phase	$G = +2, NTSC, V_O = 1.4V_P, R_L = 150\Omega$	0.03					deg	typ	C
<b>DC PERFORMANCE<sup>(4)</sup></b>									
Open-Loop Voltage Gain ( $A_{OL}$ )	$V_O = 0V, R_L = 100\Omega$	69	<b>58</b>	56	54		dB	min	A
Input Offset Voltage	$V_{CM} = 0V$	$\pm 1.0$	<b><math>\pm 4</math></b>	$\pm 4.5$	$\pm 4.7$		mV	max	A
Average Offset Voltage Drift	$V_{CM} = 0V$			$\pm 10$	$\pm 10$		$\mu V/^\circ C$	max	B
Input Bias Current	$V_{CM} = 0V$	$\pm 3$	<b><math>\pm 10</math></b>	$\pm 11$	$\pm 12$		$\mu A$	max	A
Average Bias Current Drift (magnitude)	$V_{CM} = 0V$			$\pm 20$	$\pm 40$		nA/ $^\circ C$	max	B
Input Offset Current	$V_{CM} = 0V$	$\pm 0.1$	<b><math>\pm 1.0</math></b>	$\pm 1.4$	$\pm 1.6$		$\mu A$	max	A
Average Offset Current Drift	$V_{CM} = 0V$			$\pm 7$	$\pm 9$		nA/ $^\circ C$	max	B
<b>INPUT</b>									
Common-mode Input Voltage (CMIR) <sup>(5)</sup>		$\pm 3.5$	<b><math>\pm 3.4</math></b>	$\pm 3.3$	$\pm 3.2$		V	min	A
Common-Mode Rejection Ratio (CMRR)	$V_{CM} = \pm 1V$	65	<b>60</b>	57	56		dB	min	A
Input Impedance									
Differential Mode	$V_{CM} = 0V$	190    0.6					k $\Omega$    pF	typ	C
Common-Mode	$V_{CM} = 0V$	3.2    0.9					M $\Omega$    pF	typ	C

(1) Test levels: **(A)** 100% tested at +25°C. Over temperature limits by characterization and simulation. **(B)** Limits set by characterization and simulation. **(C)** Typical value only for information.

(2) Junction temperature = ambient for +25°C specifications.

(3) Junction temperature = ambient at low temperature limits; junction temperature = ambient +10°C at high temperature limit for over temperature specifications.

(4) Current is considered positive out of node.

(5) Tested < 3dB below minimum specified CMRR at  $\pm$ CMIR limits.

**ELECTRICAL CHARACTERISTICS:  $V_S = \pm 5V$  (continued)****Boldface** limits are tested at **+25°C**.At  $R_F = 402\Omega$ ,  $R_L = 100\Omega$ , and  $G = +2$  (see [Figure 36](#) for ac performance only), unless otherwise noted.

PARAMETER	TEST CONDITIONS	OPA690ID, IDBV						TEST LEVELS <sup>(1)</sup>	
		TYP	MIN/MAX OVER TEMPERATURE				UNIT		MIN/MAX
			+25°C	+25°C <sup>(2)</sup>	0°C to +70°C <sup>(3)</sup>	-40°C to +85°C <sup>(3)</sup>			
<b>OUTPUT</b>									
Voltage Output Swing	No Load	$\pm 4.0$	<b><math>\pm 3.8</math></b>	$\pm 3.7$	$\pm 3.6$	V	min	A	
	$R_L = 100\Omega$	$\pm 3.9$	<b><math>\pm 3.7</math></b>	$\pm 3.6$	$\pm 3.3$	V	min	A	
Current Output, Sourcing	$V_O = 0V$	+190	<b>+160</b>	+140	+100	mA	min	A	
Current Output, Sinking	$V_O = 0V$	-190	<b>-160</b>	-140	-100	mA	min	A	
Short-Circuit Current Limit	$V_O = 0V$	$\pm 250$				mA	typ	C	
Closed-Loop Output Impedance	$G = +2$ , $f = 100\text{kHz}$	0.04				$\Omega$	typ	C	
<b>DISABLE (Disabled LOW)</b>									
Power-Down Supply Current ( $+V_S$ )	$V_{DIS} = 0V$	-100	<b>-200</b>	-240	-260	$\mu\text{A}$	max	A	
Disable Time	$V_{IN} = 1V_{DC}$	200				ns	typ	C	
Enable Time	$V_{IN} = 1V_{DC}$	25				ns	typ	C	
Off Isolation	$G = +2$ , $R_L = 150\Omega$ , $V_{IN} = 0V$	70				dB	typ	C	
Output Capacitance in Disable	$G = +2$ , $R_L = 150\Omega$ , $V_{IN} = 0V$	4				pF	typ	C	
Turn-On Glitch		$\pm 50$				mV	typ	C	
Turn-Off Glitch		$\pm 20$				mV	typ	C	
Enable Voltage		3.3	<b>3.5</b>	3.6	3.7	V	min	A	
Disable Voltage		1.8	<b>1.7</b>	1.6	1.5	V	max	A	
Control Pin Input Bias Current ( $V_{DIS}$ )	$V_{DIS} = 0V$	75	<b>130</b>	150	160	$\mu\text{A}$	max	A	
<b>POWER SUPPLY</b>									
Specified Operating Voltage		$\pm 5$				V	typ	C	
Maximum Operating Voltage Range			<b><math>\pm 6.0</math></b>	$\pm 6$	$\pm 6$	V	max	A	
Maximum Quiescent Current	$V_S = \pm 5V$	5.5	<b>5.8</b>	6.2	6.6	mA	max	A	
Minimum Quiescent Current	$V_S = \pm 5V$	5.5	<b>5.3</b>	4.6	4.3	mA	min	A	
Power-Supply Rejection Ratio (+PSRR)	Input-Referred	75	<b>68</b>	66	64	dB	min	A	
<b>THERMAL CHARACTERISTICS</b>									
Specified Operating Range: D, DBV		-40 to +85				$^{\circ}\text{C}$	typ	C	
Thermal Resistance, $\theta_{JA}$	Junction-to-Ambient								
D SO-8		125				$^{\circ}\text{C/W}$	typ	C	
DBV SOT23-6		150				$^{\circ}\text{C/W}$	typ	C	

**ELECTRICAL CHARACTERISTICS:  $V_S = +5V$** 
**Boldface** limits are tested at **+25°C**.

 At  $R_F = 402\Omega$ ,  $R_L = 100\Omega$ , and  $G = +2$  (see [Figure 37](#) for ac performance only), unless otherwise noted.

PARAMETER	TEST CONDITIONS	OPA690ID, IDBV						TEST LEVELS <sup>(1)</sup>	
		TYP	MIN/MAX OVER TEMPERATURE				UNIT		MIN/MAX
			+25°C	+25°C <sup>(2)</sup>	0°C to +70°C <sup>(3)</sup>	-40°C to +85°C <sup>(3)</sup>			
<b>AC PERFORMANCE (see <a href="#">Figure 37</a>)</b>									
Small-Signal Bandwidth	$G = +1, V_O = 0.5V_{PP}, R_F = \pm 25\Omega$	400				MHz	typ	C	
	$G = +2, V_O < 0.5V_{PP}$	190	150	145	140	MHz	min	B	
	$G = +10, V_O < 0.5V_{PP}$	25	18	17	16	MHz	min	B	
Gain Bandwidth Product	$G \geq 10$	250	180	170	160	MHz	min	B	
Bandwidth for 0.1dB Gain Flatness	$G = +2, V_O < 0.5V_{PP}$	20				MHz	typ	C	
Peaking at a Gain of +1	$V_O < 0.5V_{PP}$	5				dB	typ	C	
Large-Signal Bandwidth	$G = +2, V_O = 2V_{PP}$	220				MHz	typ	C	
Slew Rate	$G = +2, 2V$ Step	1000	700	670	550	V/ $\mu$ s	min	B	
Rise-and-Fall Time	$G = +2, V_O = 0.5V$ Step	1.6				ns	typ	C	
	$G = +2, V_O = 2V$ Step	2.0				ns	typ	C	
Settling Time to 0.02%	$G = +2, V_O = 2V$ Step	12				ns	typ	C	
Settling Time to 0.1%	$G = +2, V_O = 2V$ Step	8				ns	typ	C	
Harmonic Distortion	$G = +2, f = 5\text{MHz}, V_O = 2V_{PP}$								
2nd-Harmonic	$R_L = 100\Omega$ to $V_{G/2}$	-65	-60	-59	-56	dBc	max	B	
	$R_L \geq 500\Omega$ to $V_{G/2}$	-75	-70	-68	-66	dBc	max	B	
3rd-Harmonic	$R_L = 100\Omega$ to $V_{G/2}$	-68	-64	-62	-60	dBc	max	B	
	$R_L \geq 500\Omega$ to $V_{G/2}$	-77	-73	-71	-70	dBc	max	B	
Input Voltage Noise	$f > 1\text{MHz}$	5.6				nV/ $\sqrt{\text{Hz}}$	typ	C	
Input Current Noise	$f > 1\text{MHz}$	3.2				pA/ $\sqrt{\text{Hz}}$	typ	C	
Differential Gain	$G = +2, \text{NTSC}, V_O = 1.4V_P, R_L = 150\Omega$ to $V_{G/2}$	0.06				%	typ	C	
Differential Phase	$G = +2, \text{NTSC}, V_O = 1.4V_P, R_L = 150\Omega$ to $V_{G/2}$	0.02				deg	typ	C	
<b>DC PERFORMANCE<sup>(4)</sup></b>									
Open-Loop Voltage Gain ( $A_{OL}$ )	$V_O = 2.5V, R_L = 100\Omega$ to $V_{G/2}$	63	<b>56</b>	54	52	dB	min	A	
Input Offset Voltage	$V_{CM} = 2.5V$	$\pm 1.0$	<b><math>\pm 4</math></b>	$\pm 4.3$	$\pm 4.7$	mV	max	A	
Average Offset Voltage Drift	$V_{CM} = 2.5V$			$\pm 10$	$\pm 10$	$\mu\text{V}/^\circ\text{C}$	max	B	
Input Bias Current	$V_{CM} = 2.5V$	$\pm 3$	<b><math>\pm 10</math></b>	$\pm 11$	$\pm 12$	$\mu\text{A}$	max	A	
Average Bias Current Drift (magnitude)	$V_{CM} = 2.5V$			$\pm 20$	$\pm 40$	nA/ $^\circ\text{C}$	max	B	
Input Offset Current	$V_{CM} = 2.5V$	$\pm 0.3$	<b><math>\pm 1</math></b>	$\pm 1.4$	$\pm 1.6$	$\mu\text{A}$	max	A	
Average Offset Current Drift	$V_{CM} = 2.5V$			$\pm 7$	$\pm 9$	nA/ $^\circ\text{C}$	max	B	
<b>INPUT</b>									
Least Positive Input Voltage <sup>(5)</sup>		1.5	<b>1.6</b>	1.7	1.8	V	min	A	
Most Positive Input Voltage <sup>(5)</sup>		3.5	<b>3.4</b>	3.3	3.2	V	min	A	
Common-Mode Rejection Ratio (CMRR)	$V_{CM} = 2.5V \pm 0.5V$	63	<b>58</b>	56	54	dB	min	A	
Input Impedance									
Differential Mode	$V_{CM} = 2.5V$	92    1.4				k $\Omega$    pF	typ	C	
Common-Mode	$V_{CM} = 2.5V$	2.2    1.5				M $\Omega$    pF	typ	C	

- (1) Test levels: **(A)** 100% tested at +25°C. Over temperature limits by characterization and simulation. **(B)** Limits set by characterization and simulation. **(C)** Typical value only for information.
- (2) Junction temperature = ambient for +25°C specifications.
- (3) Junction temperature = ambient at low temperature limits; junction temperature = ambient +10°C at high temperature limit for over temperature specifications.
- (4) Current is considered positive out of node.
- (5) Tested < 3dB below minimum specified CMRR at  $\pm\text{CMIR}$  limits.

**ELECTRICAL CHARACTERISTICS:  $V_S = +5V$  (continued)****Boldface** limits are tested at **+25°C**.At  $R_F = 402\Omega$ ,  $R_L = 100\Omega$ , and  $G = +2$  (see [Figure 37](#) for ac performance only), unless otherwise noted.

PARAMETER	TEST CONDITIONS	OPA690ID, IDBV						TEST LEVELS <sup>(1)</sup>	
		TYP	MIN/MAX OVER TEMPERATURE				UNIT		MIN/MAX
			+25°C	+25°C <sup>(2)</sup>	0°C to +70°C <sup>(3)</sup>	-40°C to +85°C <sup>(3)</sup>			
<b>OUTPUT</b>									
Most Positive Output Voltage	No Load	4	<b>3.8</b>	3.6	3.5	V	min	A	
	$R_L = 100\Omega$ to 2.5V	3.9	<b>3.7</b>	3.5	3.4	V	min	A	
Least Positive Output Voltage	No Load	1	<b>1.2</b>	1.4	1.5	V	min	A	
	$R_L = 100\Omega$ to 2.5V	1.1	<b>1.3</b>	1.5	1.7	V	max	A	
Current Output, Sourcing		+160	<b>+120</b>	+100	+80	mA	max	A	
Current Output, Sinking		-160	<b>-120</b>	-100	-80	mA	min	A	
Short-Circuit Current		$\pm 250$				mA	typ	C	
Closed-Loop Output Impedance	$G = +2$ , $f = 100\text{kHz}$	0.04				$\Omega$	typ	C	
<b>DISABLE (Disabled LOW)</b>									
Power-Down Supply Current (+ $V_S$ )	$V_{DIS} = 0V$	-100	<b>-200</b>	-240	-260	$\mu A$	max	A	
Off Isolation	$G = +2$ , 5MHz	65				dB	typ	C	
Output Capacitance in Disable		4				pF	typ	C	
Turn-On Glitch	$G = +2$ , $R_L = 150\Omega$ , $V_{IN} = V_S/2$	$\pm 50$				mV	typ	C	
Turn-Off Glitch	$G = +2$ , $R_L = 150\Omega$ , $V_{IN} = V_S/2$	$\pm 20$				mV	typ	C	
Enable Voltage		3.3	<b>3.5</b>	3.6	3.7	V	min	A	
Disable Voltage		1.8	<b>1.7</b>	1.6	1.5	V	max	A	
Control Pin Input Bias Current ( $V_{DIS}$ )	$V_{DIS} = 0V$	75	130	150	160	$\mu A$	typ	C	
<b>POWER SUPPLY</b>									
Specified Single-Supply Operating Voltage		5				V	typ	C	
Maximum Single-Supply Operating Voltage			12	12	12	V	max	B	
Maximum Quiescent Current	$V_S = \pm 5V$	4.9	<b>5.44</b>	5.72	6.02	mA	max	A	
Minimum Quiescent Current	$V_S = \pm 5V$	4.9	<b>4.48</b>	4.0	3.86	mA	min	A	
Power-Supply Rejection Ratio (+PSRR)	Input-Referred	72				dB	typ	C	
<b>THERMAL CHARACTERISTICS</b>									
Specification: D, DBV		-40 to +85				°C	typ	C	
Thermal Resistance, $\theta_{JA}$	Junction-to-Ambient								
D SO-8		125				°C/W	typ	C	
DBV SOT23-6		150				°C/W	typ	C	

**TYPICAL CHARACTERISTICS:  $V_S = \pm 5V$**

At  $T_A = +25^\circ C$ ,  $G = +2$ ,  $R_F = 402\Omega$ , and  $R_L = 100\Omega$  (see Figure 36 for ac performance only), unless otherwise noted.

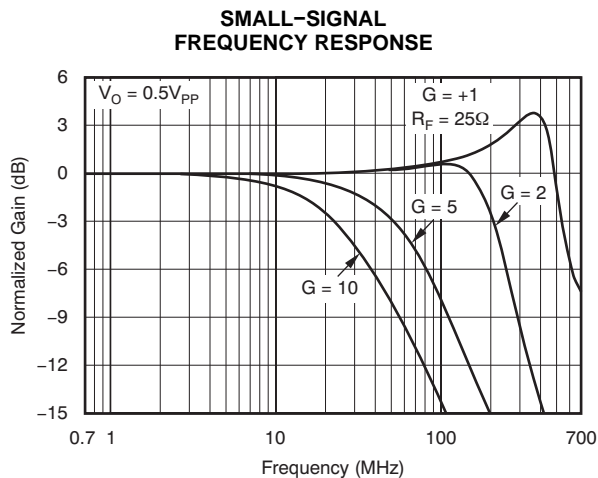


Figure 1.

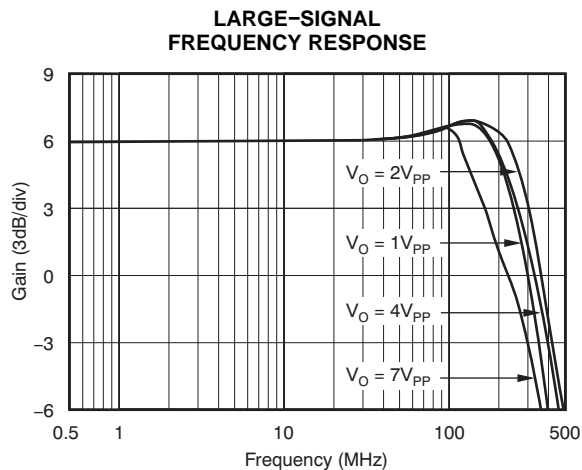


Figure 2.

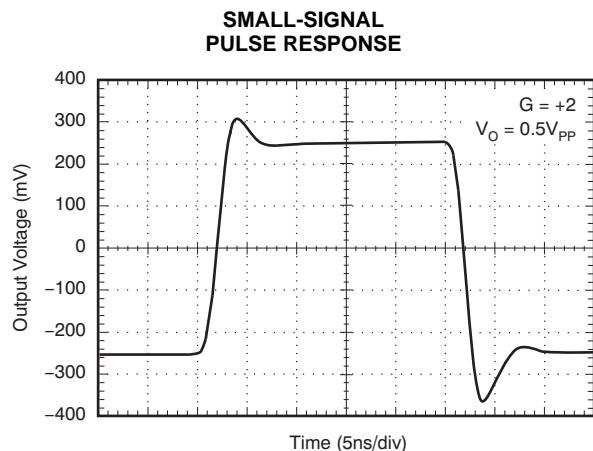


Figure 3.

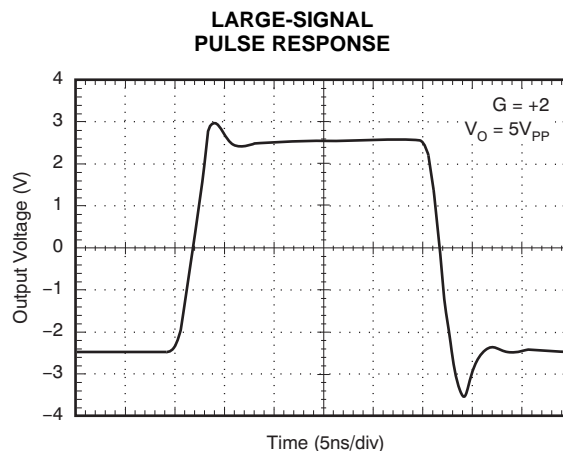


Figure 4.

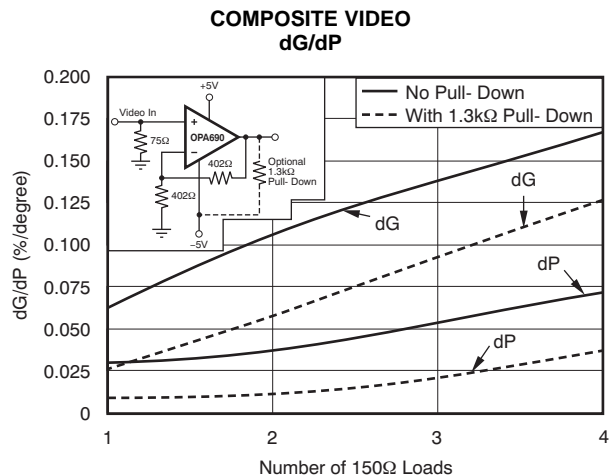


Figure 5.

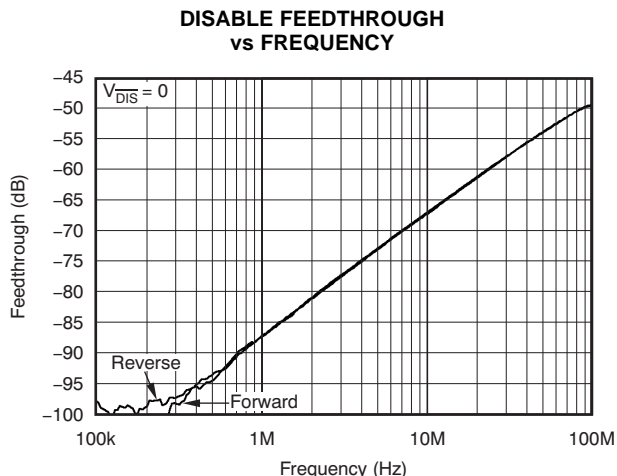
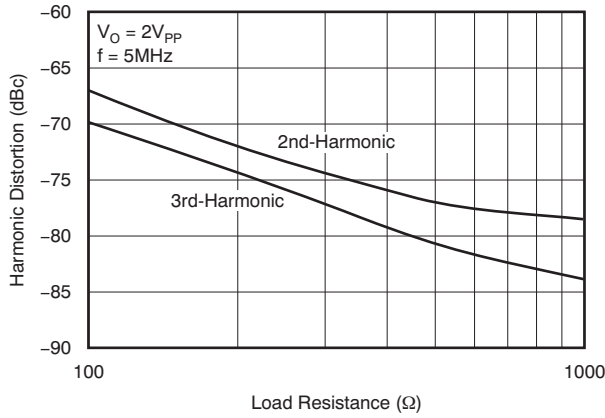


Figure 6.

**TYPICAL CHARACTERISTICS:  $V_S = \pm 5V$  (continued)**

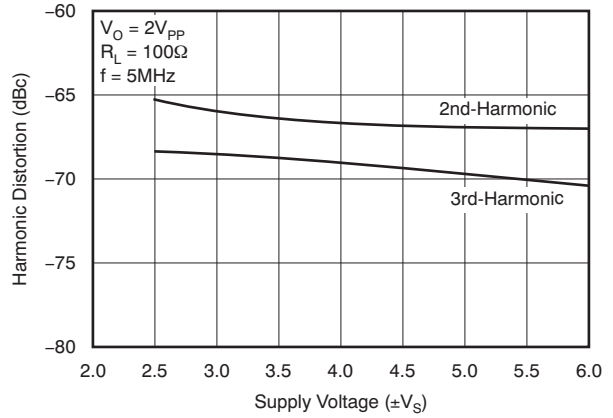
At  $T_A = +25^\circ C$ ,  $G = +2$ ,  $R_F = 402\Omega$ , and  $R_L = 100\Omega$  (see Figure 36 for ac performance only), unless otherwise noted.

**HARMONIC DISTORTION vs LOAD RESISTANCE**



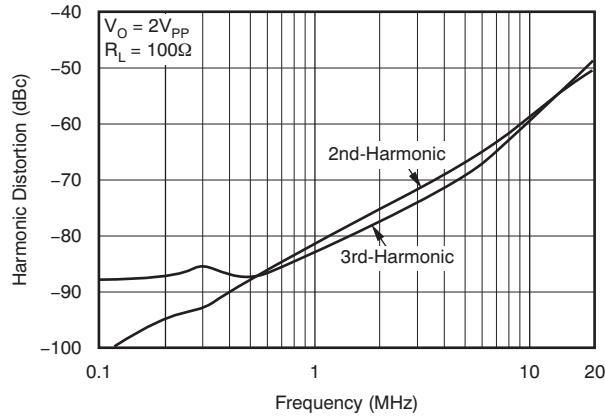
**Figure 7.**

**5MHz HARMONIC DISTORTION vs SUPPLY VOLTAGE**



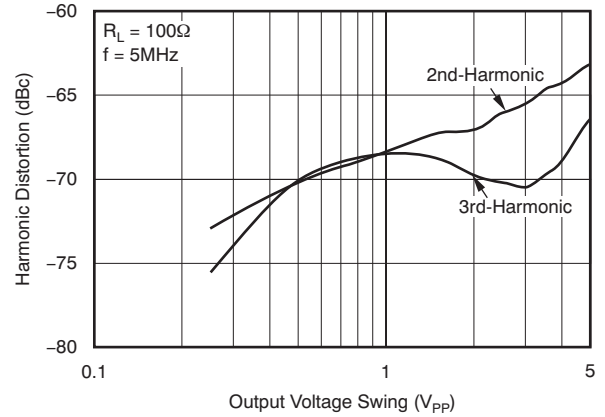
**Figure 8.**

**HARMONIC DISTORTION vs FREQUENCY**



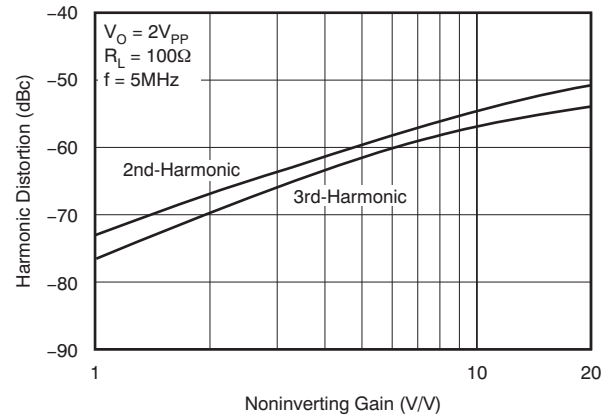
**Figure 9.**

**HARMONIC DISTORTION vs OUTPUT VOLTAGE**



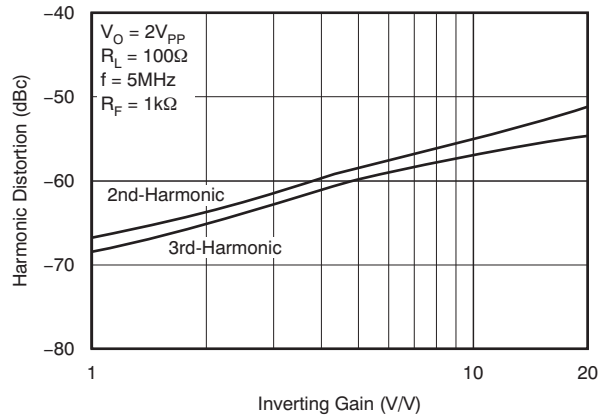
**Figure 10.**

**HARMONIC DISTORTION vs NONINVERTING GAIN**



**Figure 11.**

**HARMONIC DISTORTION vs INVERTING GAIN**



**Figure 12.**



**TYPICAL CHARACTERISTICS:  $V_S = \pm 5V$  (continued)**

At  $T_A = +25^\circ C$ ,  $G = +2$ ,  $R_F = 402\Omega$ , and  $R_L = 100\Omega$  (see Figure 36 for ac performance only), unless otherwise noted.

**INPUT VOLTAGE AND CURRENT NOISE DENSITY**

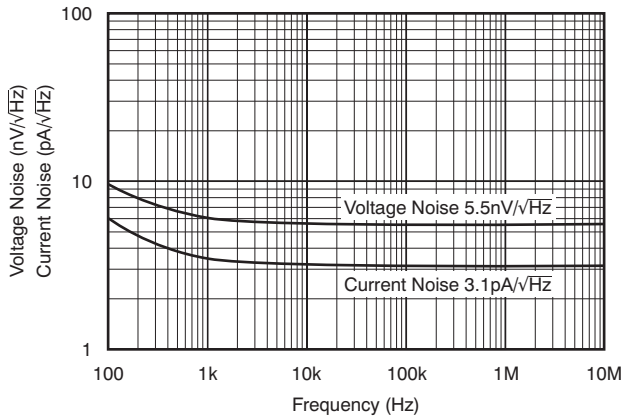


Figure 13.

**TWO-TONE, 3RD-ORDER INTERMODULATION SPURIOUS**

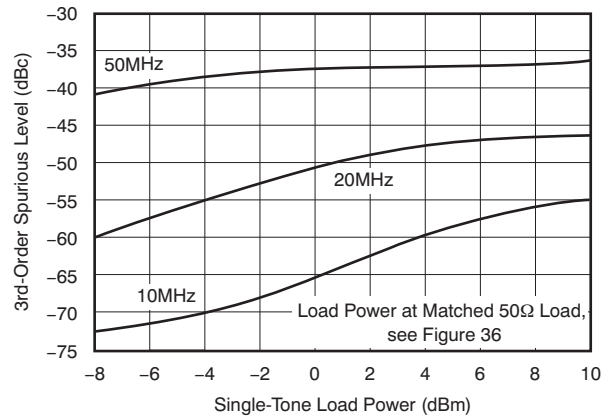


Figure 14.

**RECOMMENDED  $R_S$  vs CAPACITIVE LOAD**

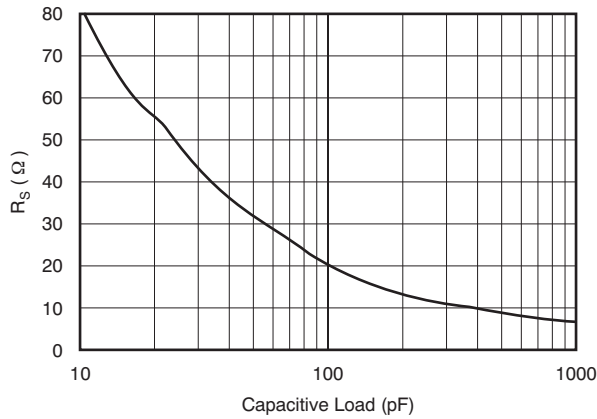


Figure 15.

**FREQUENCY RESPONSE vs CAPACITIVE LOAD**

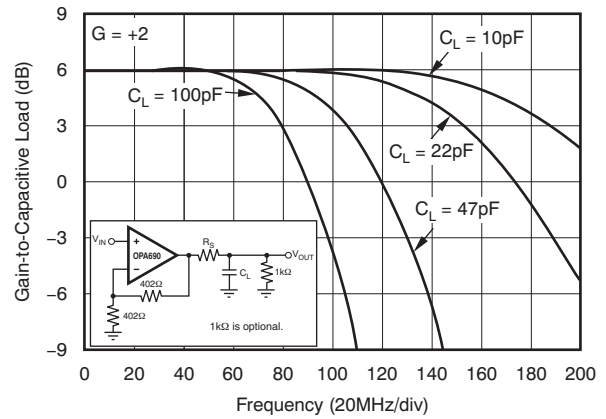


Figure 16.

**LARGE-SIGNAL ENABLE/DISABLE RESPONSE**

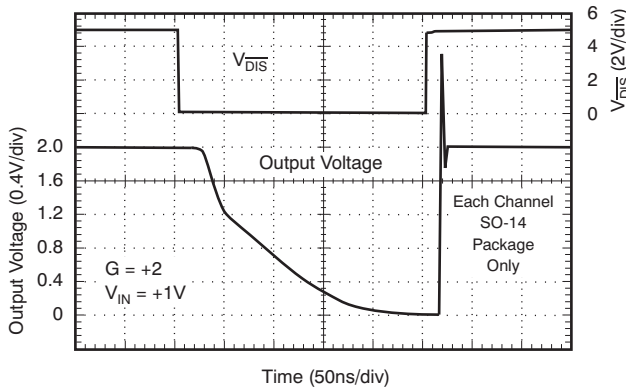


Figure 17.

**ENABLE/DISABLE GLITCH**

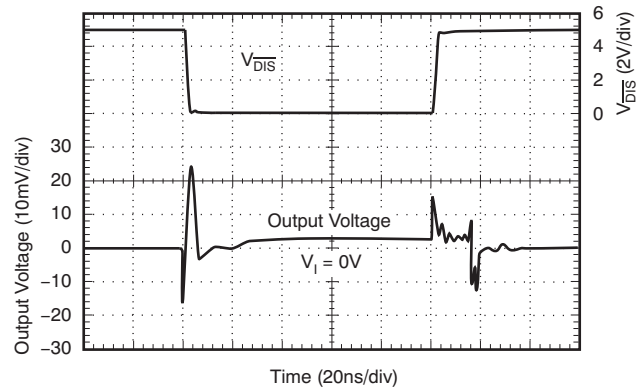


Figure 18.

**TYPICAL CHARACTERISTICS:  $V_S = \pm 5V$  (continued)**

At  $T_A = +25^\circ C$ ,  $G = +2$ ,  $R_F = 402\Omega$ , and  $R_L = 100\Omega$  (see Figure 36 for ac performance only), unless otherwise noted.

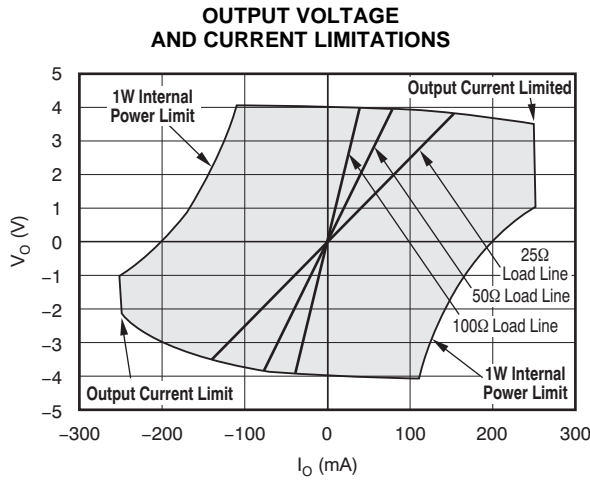


Figure 19.

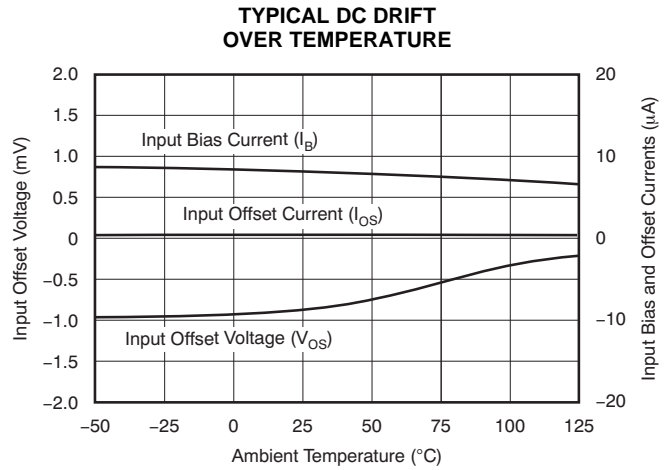


Figure 20.

**COMMON-MODE REJECTION RATIO AND POWER-SUPPLY REJECTION RATIO vs FREQUENCY**

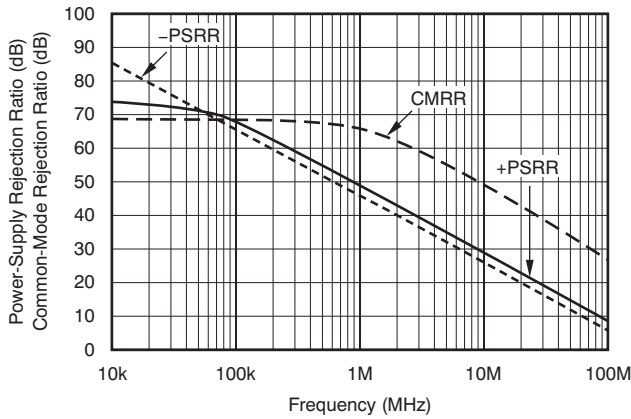


Figure 21.

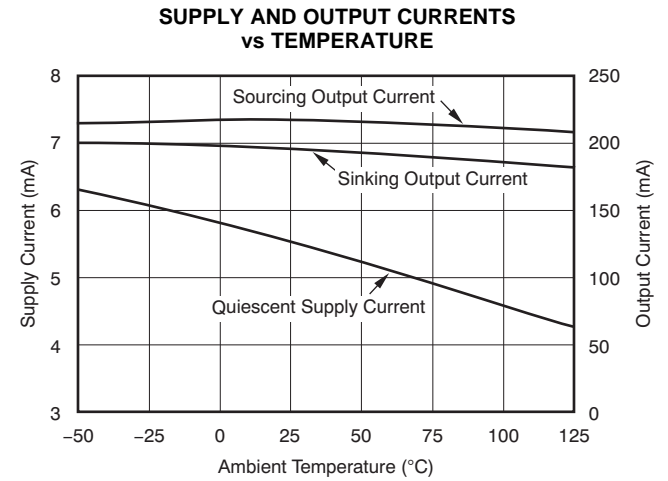


Figure 22.

**CLOSED-LOOP OUTPUT IMPEDANCE vs FREQUENCY**

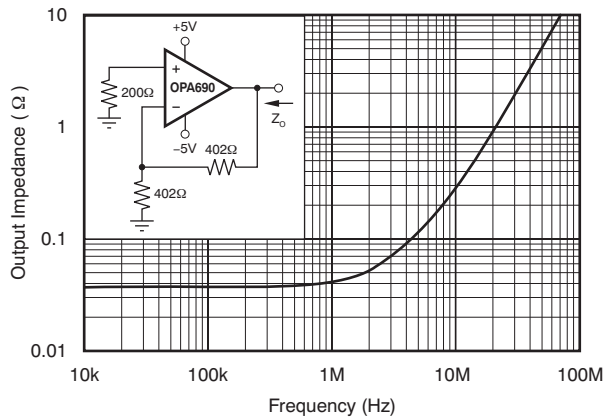


Figure 23.

**OPEN-LOOP GAIN AND PHASE**

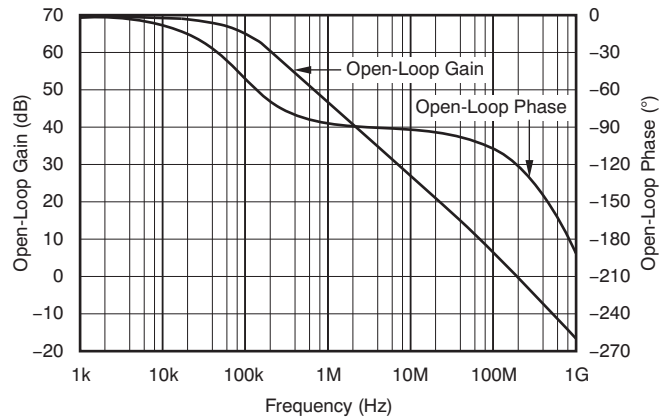
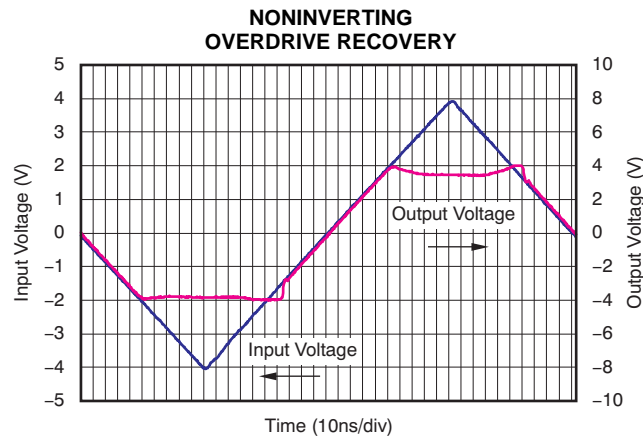


Figure 24.

**TYPICAL CHARACTERISTICS:  $V_S = \pm 5V$  (continued)**

At  $T_A = +25^\circ C$ ,  $G = +2$ ,  $R_F = 402\Omega$ , and  $R_L = 100\Omega$  (see Figure 36 for ac performance only), unless otherwise noted.



**Figure 25.**

**TYPICAL CHARACTERISTICS: +5V**

At  $T_A = +25^\circ\text{C}$ ,  $G = +2$ ,  $R_F = 402\Omega$ , and  $R_L = 100\Omega$  (see Figure 37 for ac performance only), unless otherwise noted.

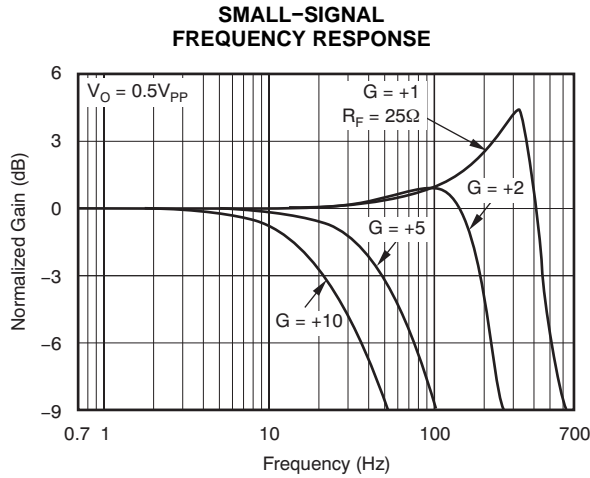


Figure 26.

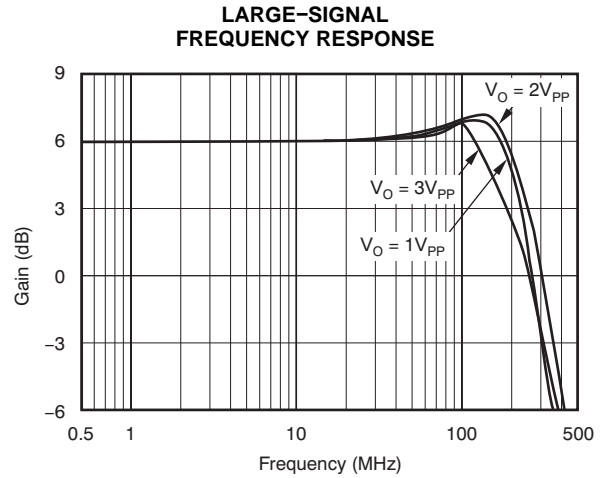


Figure 27.

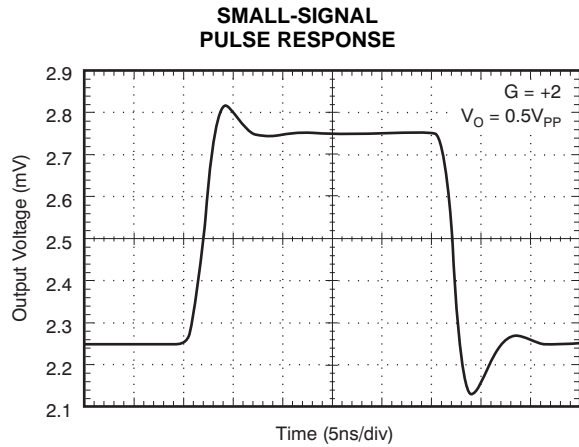


Figure 28.

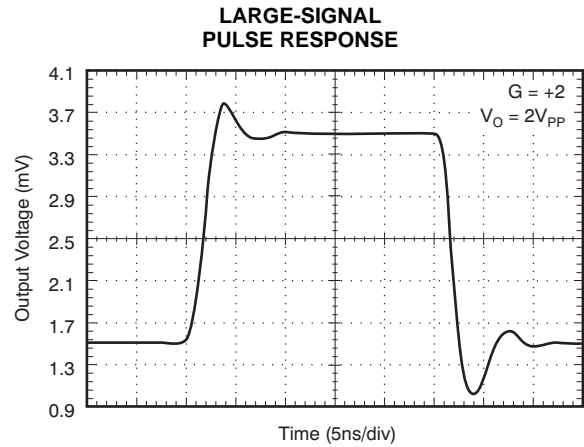


Figure 29.

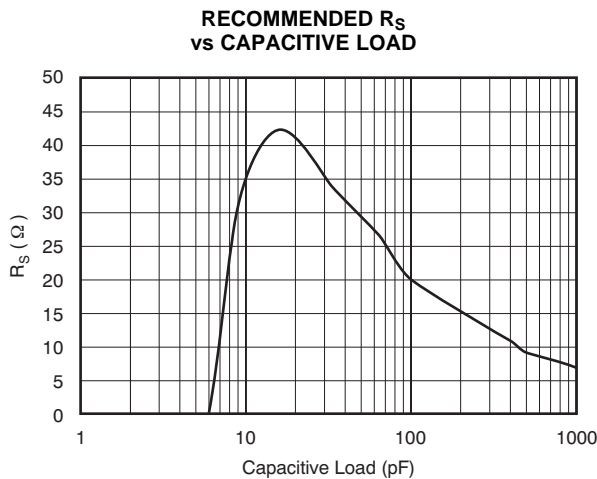


Figure 30.

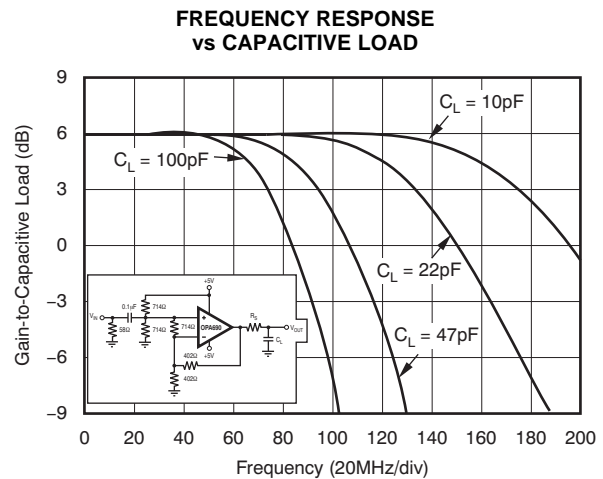
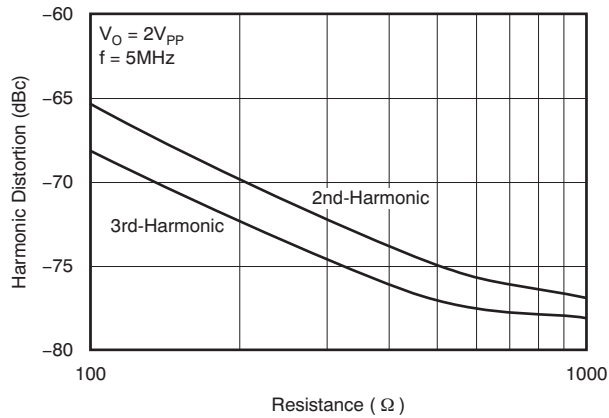


Figure 31.

**TYPICAL CHARACTERISTICS: +5V (continued)**

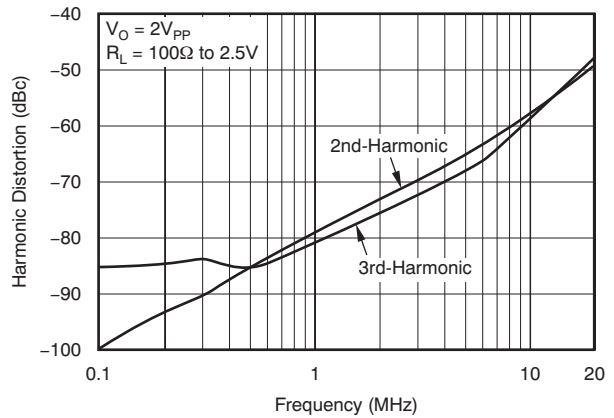
At  $T_A = +25^\circ\text{C}$ ,  $G = +2$ ,  $R_F = 402\Omega$ , and  $R_L = 100\Omega$  (see Figure 37 for ac performance only), unless otherwise noted.

**HARMONIC DISTORTION vs LOAD RESISTANCE**



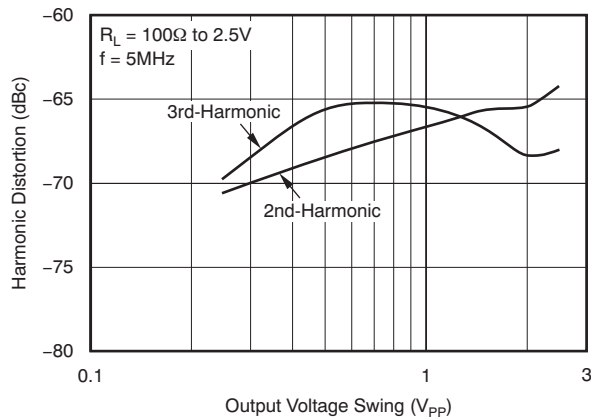
**Figure 32.**

**HARMONIC DISTORTION vs FREQUENCY**



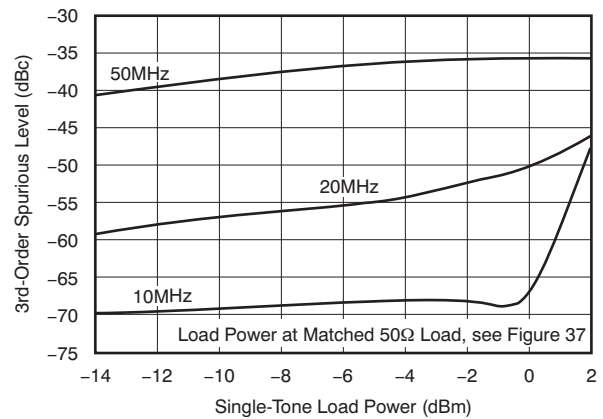
**Figure 33.**

**HARMONIC DISTORTION vs OUTPUT VOLTAGE**



**Figure 34.**

**TWO-TONE, 3RD-ORDER INTERMODULATION SPURIOUS**



**Figure 35.**

## APPLICATION INFORMATION

### WIDEBAND VOLTAGE-FEEDBACK OPERATION

The OPA690 provides an exceptional combination of high output power capability with a wideband, unity-gain stable voltage-feedback op amp using a new high slew rate input stage. Typical differential input stages used for voltage feedback op amps are designed to steer a fixed-bias current to the compensation capacitor, setting a limit to the achievable slew rate. The OPA690 uses a new input stage which places the transconductance element between two input buffers, using their output currents as the forward signal. As the error voltage increases across the two inputs, an increasing current is delivered to the compensation capacitor. This provides very high slew rate (1800V/ $\mu$ s) while consuming relatively low quiescent current (5.5mA). This exceptional full-power performance comes at the price of a slightly higher input noise voltage than alternative architectures. The 5.5nV/ $\sqrt{\text{Hz}}$  input voltage noise for the OPA690 is exceptionally low for this type of input stage.

Figure 36 shows the dc-coupled, gain of +2, dual power supply circuit configuration used as the basis of the  $\pm 5\text{V}$  *Electrical Characteristics* and *Typical Characteristics*. For test purposes, the input impedance is set to 50 $\Omega$  with a resistor to ground and the output impedance is set to 50 $\Omega$  with a series output resistor. Voltage swings reported in the specifications are taken directly at the input and output pins, while output powers (dBm) are at the matched 50 $\Omega$  load. For the circuit of Figure 36, the total effective load will be 100 $\Omega$  || 804 $\Omega$ . The disable control line is typically left open to ensure normal amplifier operation. Two optional components are included in Figure 36. An additional resistor (175 $\Omega$ ) is included in series with the noninverting input. Combined with the 25 $\Omega$  dc source resistance looking back towards the signal generator, this gives an input bias current cancelling resistance that matches the 200 $\Omega$  source resistance seen at the inverting input (see the *DC Accuracy and Offset Control* section). In addition to the usual power-supply decoupling capacitors to ground, a 0.1 $\mu\text{F}$  capacitor is included between the two power-supply pins. In practical printed circuit board (PCB) layouts, this optional-added capacitor will typically improve the 2nd-harmonic distortion performance by 3dB to 6dB.

Figure 37 shows the ac-coupled, gain of +2, single-supply circuit configuration which is the basis of the +5V *Electrical Characteristics* and *Typical Characteristics*. Though not a rail-to-rail design, the OPA690 requires minimal input and output voltage headroom compared to other very wideband voltage-feedback op amps. It will deliver a 3V<sub>PP</sub> output swing on a single +5V supply with > 150MHz

bandwidth. The key requirement of broadband single-supply operation is to maintain input and output signal swings within the useable voltage ranges at both the input and the output. The circuit of Figure 37 establishes an input midpoint bias using a simple resistive divider from the +5V supply (two 698 $\Omega$  resistors). The input signal is then ac-coupled into the midpoint voltage bias. The input voltage can swing to within 1.5V of either supply pin, giving a 2V<sub>PP</sub> input signal range centered between the supply pins. The input impedance matching resistor (59 $\Omega$ ) used for testing is adjusted to give a 50 $\Omega$  input load when the parallel combination of the biasing divider network is included.

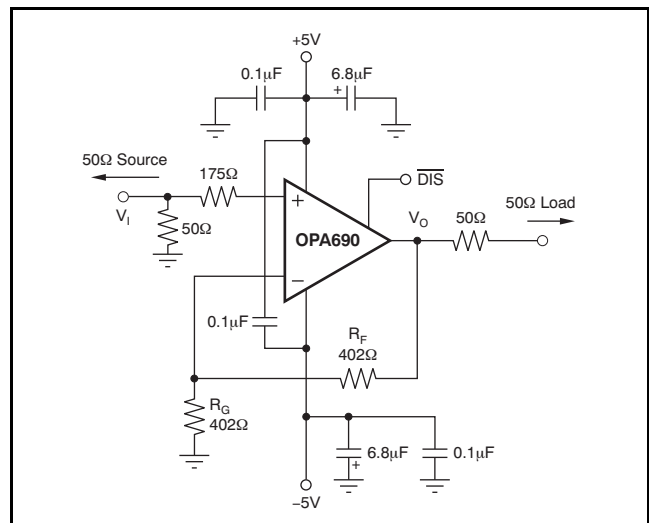


Figure 36. DC-Coupled, G = +2, Bipolar-Supply Specification and Test Circuit

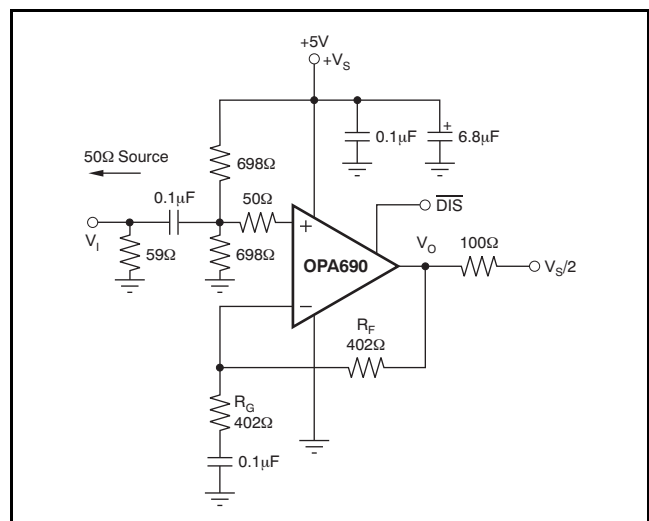


Figure 37. AC-Coupled, G = +2, Single-Supply Specification and Test Circuit

Again, an additional resistor (50Ω in this case) is included directly in series with the noninverting input. This minimum recommended value provides part of the dc source resistance matching for the noninverting input bias current. It is also used to form a simple parasitic pole to roll off the frequency response at very high frequencies (> 500MHz) using the input parasitic capacitance to form a bandlimiting pole. The gain resistor ( $R_G$ ) is ac-coupled, giving the circuit a dc gain of +1, which puts the input dc bias voltage (2.5V) at the output as well. The output voltage can swing to within 1V of either supply pin while delivering > 100mA output current. A demanding 100Ω load to a midpoint bias is used in this characterization circuit. The new output stage circuit used in the OPA690 can deliver large bipolar output currents into this midpoint load with minimal crossover distortion, as shown in the +5V supply, 3rd-harmonic distortion plots.

### SINGLE-SUPPLY ADC INTERFACE

Most modern, high performance ADCs (such as the TI ADS8xx and ADS9xx series) operate on a single +5V (or lower) power supply. It has been a considerable challenge for single-supply op amps to deliver a low distortion input signal at the ADC input for signal frequencies exceeding 5MHz. The high slew rate, exceptional output swing, and high linearity of the OPA690 make it an ideal single-supply ADC driver. The circuit on the front page shows one possible (inverting) interface. Figure 39 shows the test circuit of Figure 37 modified for a capacitive (ADC) load and with an optional output pull-down resistor ( $R_B$ ).

The OPA690 in the circuit of Figure 39 provides > 200MHz bandwidth for a  $2V_{PP}$  output swing. Minimal 3rd-harmonic distortion or two-tone, 3rd-order intermodulation distortion will be observed due to the very low crossover distortion in the OPA690 output stage. The limit of output Spurious-Free Dynamic Range (SFDR) will be set by the 2nd-harmonic distortion. Without  $R_B$ , the circuit of Figure 39 measured at 10MHz shows an SFDR of 57dBc. This may be improved by pulling additional dc bias current ( $I_B$ ) out of the output stage through the optional  $R_B$  resistor to ground (the output midpoint is at 2.5V for Figure 39). Adjusting  $I_B$  gives the improvement in SFDR shown in Figure 38. SFDR improvement is achieved for  $I_B$  values up to 5mA, with worse performance for higher values.

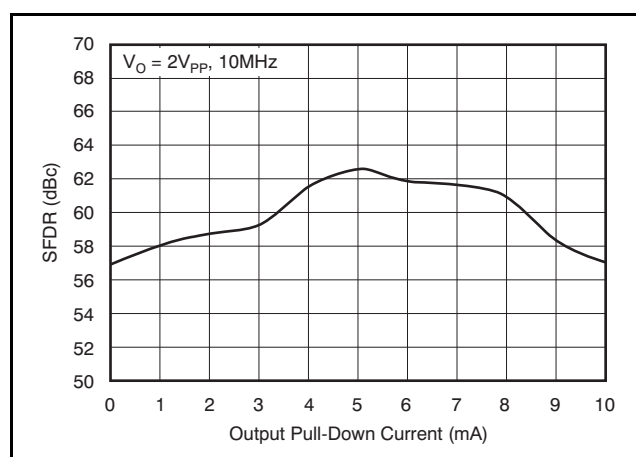


Figure 38. SFDR vs  $I_B$

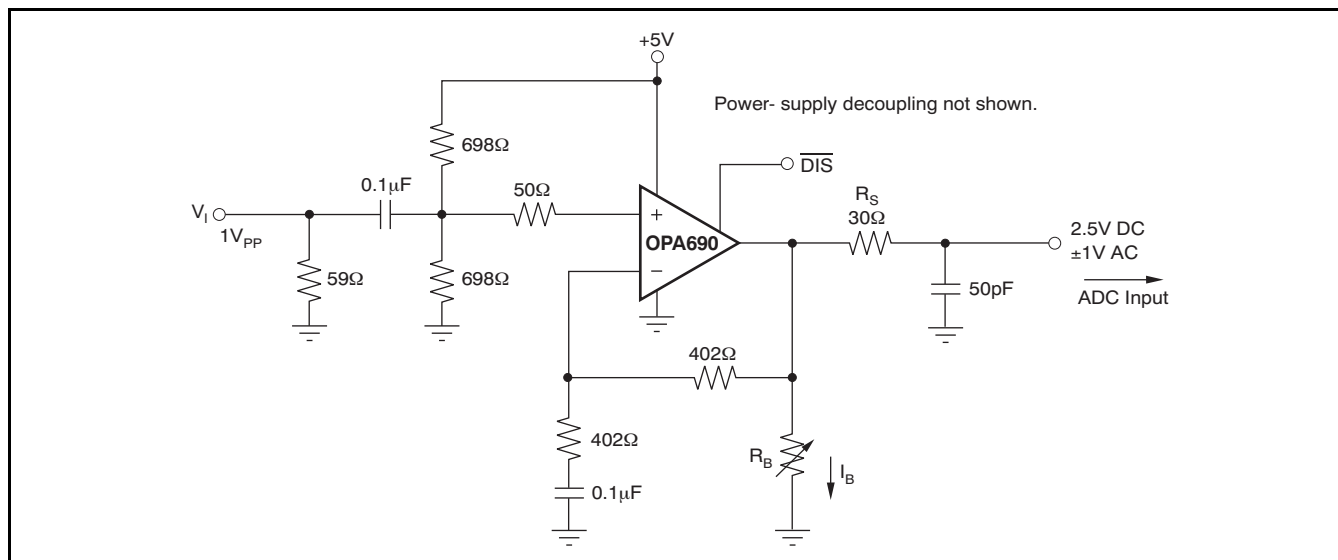


Figure 39. SFDR versus  $I_B$  Test Circuit

### HIGH-PERFORMANCE DAC TRANSIMPEDANCE AMPLIFIER

High-frequency, direct digital synthesis (DDS) Digital-to-Analog Converters (DACs) require a low distortion output amplifier to retain their SFDR performance into real-world loads. See Figure 40 for a single-ended output drive implementation. In this circuit, only one side of the complementary output drive signal is used. The diagram shows the signal output current connected into the virtual ground summing junction of the OPA690, which is set up as a transimpedance stage or *I-V converter*. The unused current output of the DAC is connected to ground. If the DAC requires that its outputs terminate to a compliance voltage other than ground for operation, the appropriate voltage level may be applied to the noninverting input of the OPA690. The dc gain for this circuit is equal to  $R_F$ . At high frequencies, the DAC output capacitance will produce a zero in the noise gain for the OPA690 that may cause peaking in the closed-loop frequency response.  $C_F$  is added across  $R_F$  to compensate for this noise gain peaking. To achieve a flat transimpedance frequency response, the pole in the feedback network should be set to:

$$\frac{1}{2\pi R_F C_F} = \sqrt{\frac{GBP}{4\pi R_F C_D}} \tag{1}$$

which will give a closed-loop transimpedance bandwidth,  $f_{-3dB}$ , of approximately:

$$f_{-3dB} = \sqrt{\frac{GBP}{2\pi R_F C_D}} \tag{2}$$

Where  $GBP$  = gain bandwidth product (Hz) for the OPA690.

### HIGH-POWER LINE DRIVER

The large output swing capability of the OPA690 and its high current capability allow it to drive a  $50\Omega$  line with a peak-to-peak signal up to  $4V_{PP}$  at the load, or  $8V_{PP}$  at the output of the amplifier using a single 12V supply. Figure 41 shows such a circuit set for a gain of 8 to the output or 4 to the load.

The 5pF capacitor in the feedback loop provides added bandwidth control for the signal path.

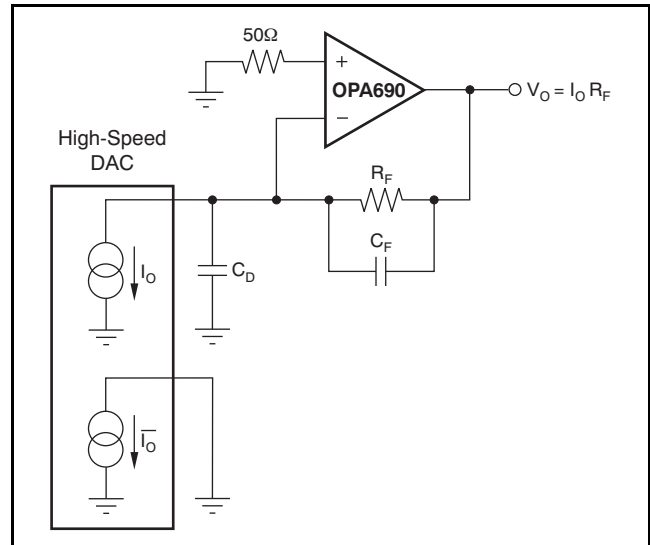


Figure 40. DAC Transimpedance Amplifier

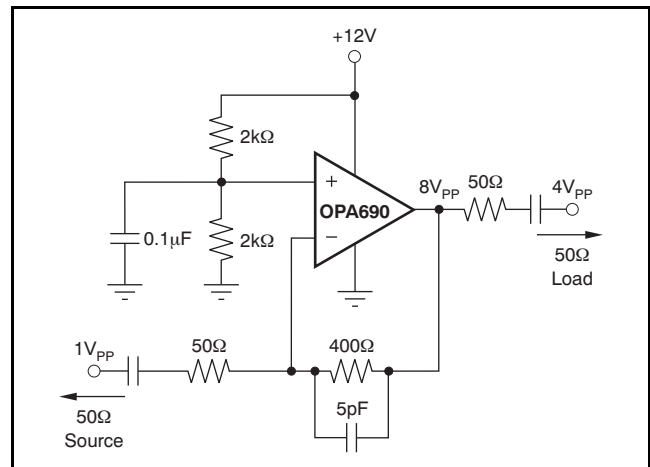


Figure 41. High-Power Coax Line Driver

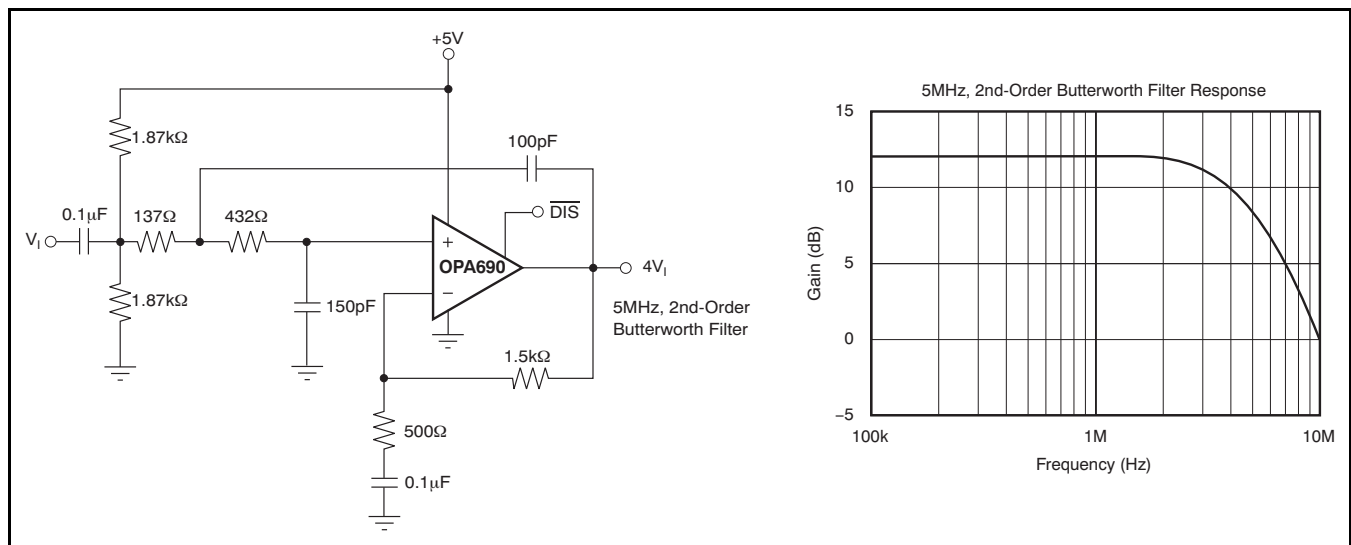


**SINGLE-SUPPLY ACTIVE FILTERS**

The high bandwidth provided by the OPA690, while operating on a single +5V supply, lends itself well to high-frequency active filter designs. Again, the key additional requirement is to establish the dc operating point of the signal near the supply midpoint for highest dynamic range. See Figure 42 for an example design of a 5MHz low-pass Butterworth filter using the Sallen-Key topology.

Both the input signal and the gain setting resistor are ac-coupled using 0.1µF blocking capacitors (actually giving bandpass response with the low-frequency pole set to 32kHz for the component values shown). As discussed for Figure 37, this allows the midpoint bias formed by the two 1.87kΩ resistors to appear at

both the input and output pins. The midband signal gain is set to +4 (12dB) in this case. The capacitor to ground on the noninverting input is intentionally set larger to dominate input parasitic terms. At a gain of +4, the OPA690 on a single supply will show ~80MHz small- and large-signal bandwidth. The resistor values have been slightly adjusted to account for this limited bandwidth in the amplifier stage. Tests of this circuit show a precise 5MHz, -3dB point with a maximally flat passband (above the 32kHz ac-coupling corner), and a maximum stop band attenuation of 36dB at the amplifier’s -3dB bandwidth of 80MHz.



**Figure 42. Single-Supply, High-Frequency Active Filter**

## DESIGN-IN TOOLS

### DEMONSTRATION FIXTURES

Two printed circuit boards (PCBs) are available to assist in the initial evaluation of circuit performance using the OPA690 in its two package options. Both of these are offered free of charge as unpopulated PCBs, delivered with a user's guide. The summary information for these fixtures is shown in [Table 1](#).

**Table 1. Demonstration Fixtures by Package**

PRODUCT	PACKAGE	ORDERING NUMBER	LITERATURE NUMBER
OPA690ID	SO-8	DEM-OPA-SO-1A	<a href="#">SBOU009</a>
OPA690IDBV	SOT23-6	DEM-OPA-SOT-1A	<a href="#">SBOU010</a>

The demonstration fixtures can be requested at the Texas Instruments web site ([www.ti.com](http://www.ti.com)) through the [OPA690 product folder](#).

### MACROMODELS AND APPLICATIONS SUPPORT

Computer simulation of circuit performance using SPICE is often useful when analyzing the performance of analog circuits and systems. This is particularly true for video and RF amplifier circuits where parasitic capacitance and inductance can have a major effect on circuit performance. A SPICE model for the OPA690 is available through the [OPA690 product folder](#) under *Simulation Models*. These models do a good job of predicting small-signal ac and transient performance under a wide variety of operating conditions. They do not do as well in predicting the harmonic distortion or dG/dP characteristics. These models do not attempt to distinguish between the package types in their small-signal ac performance.

## OPERATING SUGGESTIONS

### OPTIMIZING RESISTOR VALUES

Since the OPA690 is a unity-gain stable, voltage-feedback op amp, a wide range of resistor values may be used for the feedback and gain setting resistors. The primary limits on these values are set by dynamic range (noise and distortion) and parasitic capacitance considerations. For a noninverting unity-gain follower application, the feedback connection should be made with a 25Ω resistor, not a direct short. This will isolate the inverting input capacitance from the output pin and improve the frequency response flatness. Usually, for  $G > 1$  applications, the feedback resistor value should be between 200Ω and 1.5kΩ. Below 200Ω, the feedback network will present additional output loading which can degrade the harmonic distortion performance of the OPA690. Above 1.5kΩ, the typical parasitic capacitance (approximately 0.2pF) across the feedback resistor may cause unintentional band-limiting in the amplifier response.

A good rule of thumb is to target the parallel combination of  $R_F$  and  $R_G$  (see [Figure 36](#)) to be less than approximately 300Ω. The combined impedance  $R_F \parallel R_G$  interacts with the inverting input capacitance, placing an additional pole in the feedback network and thus, a zero in the forward response. Assuming a 2pF total parasitic on the inverting node, holding  $R_F \parallel R_G < 300\Omega$  will keep this pole above 250MHz. By itself, this constraint implies that the feedback resistor  $R_F$  can increase to several kΩ at high gains. This is acceptable as long as the pole formed by  $R_F$  and any parasitic capacitance appearing in parallel is kept out of the frequency range of interest.

### BANDWIDTH VERSUS GAIN: NONINVERTING OPERATION

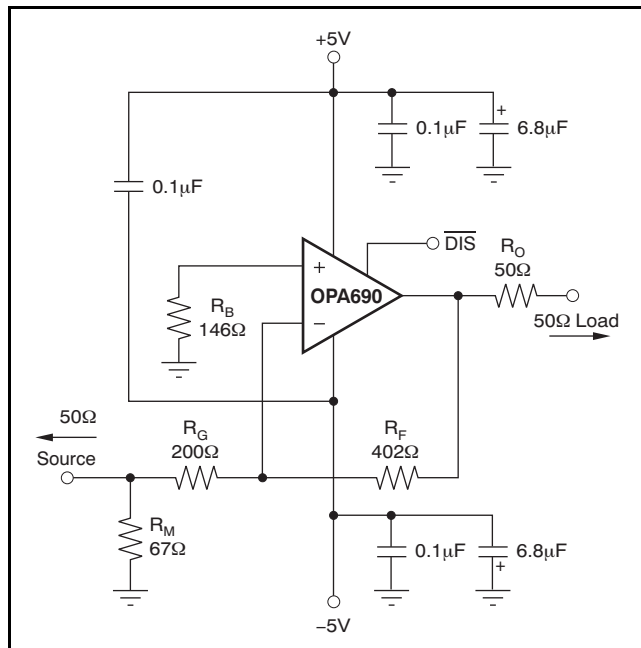
Voltage-feedback op amps exhibit decreasing closed-loop bandwidth as the signal gain is increased. In theory, this relationship is described by the Gain Bandwidth Product (GBP) shown in the Electrical Characteristics. Ideally, dividing GBP by the noninverting signal gain (also called the Noise Gain, or NG) will predict the closed-loop bandwidth. In practice, this only holds true when the phase margin approaches 90°, as it does in high gain configurations. At low gains (increased feedback factors), most amplifiers will exhibit a more complex response with lower phase margin. The OPA690 is compensated to give a slightly peaked response in a noninverting gain of 2 (see [Figure 36](#)). This results in a typical gain of +2 bandwidth of 220MHz, far exceeding that predicted by dividing the 300MHz GBP by 2. Increasing the gain will cause the phase margin to approach 90° and the bandwidth to more closely approach the predicted value of (GBP/NG). At a gain of +10, the 30MHz bandwidth shown in the Electrical Characteristics agrees with that predicted using the simple formula and the typical GBP of 300MHz.

The frequency response in a gain of +2 may be modified to achieve exceptional flatness simply by increasing the noise gain to 2.5. One way to do this, without affecting the +2 signal gain, is to add an 804Ω resistor across the two inputs in the circuit of [Figure 36](#). A similar technique may be used to reduce peaking in unity-gain (voltage follower) applications. For example, by using a 402Ω feedback resistor along with a 402Ω resistor across the two op amp inputs, the voltage follower response will be similar to the gain of +2 response of [Figure 37](#). Reducing the value of the resistor across the op amp inputs will further limit the frequency response due to increased noise gain.

The OPA690 exhibits minimal bandwidth reduction going to single-supply (+5V) operation as compared with ±5V. This is because the internal bias control circuitry retains nearly constant quiescent current as the total supply voltage between the supply pins is changed.

## INVERTING AMPLIFIER OPERATION

Since the OPA690 is a general-purpose, wideband voltage-feedback op amp, all of the familiar op amp application circuits are available to the designer. Inverting operation is one of the more common requirements and offers several performance benefits. Figure 43 shows a typical inverting configuration where the I/O impedances and signal gain from Figure 36 are retained in an inverting circuit configuration.



**Figure 43. Gain of -2 Example Circuit**

In the inverting configuration, three key design considerations must be noted. The first is that the gain resistor ( $R_G$ ) becomes part of the signal channel input impedance. If input impedance matching is desired (which is beneficial whenever the signal is coupled through a cable, twisted-pair, long PCB trace, or other transmission line conductor),  $R_G$  may be set equal to the required termination value and  $R_F$  adjusted to give the desired gain. This is the simplest approach and results in optimum bandwidth and noise performance. However, at low inverting gains, the resultant feedback resistor value can present a significant load to the amplifier output. For an inverting gain of 2, setting  $R_G$  to 50Ω for input matching eliminates the need for  $R_M$  but requires a

100Ω feedback resistor. This has the interesting advantage that the noise gain becomes equal to 2 for a 50Ω source impedance—the same as the noninverting circuits considered in the previous section. The amplifier output, however, will now see the 100Ω feedback resistor in parallel with the external load. In general, the feedback resistor should be limited to the 200Ω to 1.5kΩ range. In this case, it is preferable to increase both the  $R_F$  and  $R_G$  values, as shown in Figure 43, and then achieve the input matching impedance with a third resistor ( $R_M$ ) to ground. The total input impedance becomes the parallel combination of  $R_G$  and  $R_M$ .

The second major consideration, touched on in the previous paragraph, is that the signal source impedance becomes part of the noise gain equation and influences the bandwidth. For the example in Figure 43, the  $R_M$  value combines in parallel with the external 50Ω source impedance, yielding an effective driving impedance of  $50\Omega \parallel 67\Omega = 28.6\Omega$ . This impedance is added in series with  $R_G$  for calculating the noise gain (NG). The resultant NG is 2.8 for Figure 43, as opposed to only 2 if  $R_M$  could be eliminated as discussed above. The bandwidth will therefore be slightly lower for the gain of  $\pm 2$  circuit of Figure 43 than for the gain of +2 circuit of Figure 36.

The third important consideration in inverting amplifier design is setting the bias current cancellation resistor on the noninverting input ( $R_B$ ). If this resistor is set equal to the total dc resistance looking out of the inverting node, the output dc error, due to the input bias currents, will be reduced to (Input Offset Current)  $\times R_F$ . If the 50Ω source impedance is dc-coupled in Figure 43, the total resistance to ground on the inverting input will be 228Ω. Combining this in parallel with the feedback resistor gives the  $R_B = 146\Omega$  used in this example. To reduce the additional high-frequency noise introduced by this resistor, it is sometimes bypassed with a capacitor. As long as  $R_B < 350\Omega$ , the capacitor is not required because the total noise contribution of all other terms will be less than that of the op amp input noise voltage. As a minimum, the OPA690 requires an  $R_B$  value of 50Ω to damp out parasitic-induced peaking—a direct short to ground on the noninverting input runs the risk of a very high-frequency instability in the input stage.

## OUTPUT CURRENT AND VOLTAGE

The OPA690 provides output voltage and current capabilities that are unsurpassed in a low-cost monolithic op amp. Under no-load conditions at +25°C, the output voltage typically swings closer than 1V to either supply rail; the specified swing limit is within 1.2V of either rail. Into a 15Ω load (the minimum tested load), it will deliver more than ±160mA.

The specifications described previously, though familiar in the industry, consider voltage and current limits separately. In many applications, it is the voltage × current, or V-I product, which is more relevant to circuit operation. Refer to [Figure 19](#), the Output Voltage and Current Limitations plot in the Typical Characteristics. The X- and Y-axes of this graph show the zero-voltage output current limit and the zero-current output voltage limit, respectively. The four quadrants give a more detailed view of the OPA690 output drive capabilities, noting that the graph is bounded by a Safe Operating Area of 1W maximum internal power dissipation. Superimposing resistor load lines onto the plot shows that the OPA690 can drive ±2.5V into 25Ω or ±3.5V into 50Ω without exceeding the output capabilities or the 1W dissipation limit. A 100Ω load line (the standard test circuit load) shows the full ±3.9V output swing capability, as shown in the typical specifications.

The minimum specified output voltage and current specifications over temperature are set by worst-case simulations at the cold temperature extreme. Only at cold startup will the output current and voltage decrease to the numbers shown in the Electrical Characteristic tables. As the output transistors deliver power, their junction temperatures increase, decreasing their  $V_{BEs}$  (increasing the available output voltage swing) and increasing their current gains (increasing the available output current). In steady-state operation, the available output voltage and current is always greater than that shown in the over-temperature specifications because the output stage junction temperatures will be higher than the minimum specified operating ambient.

To protect the output stage from accidental shorts to ground and the power supplies, output short-circuit protection is included in the OPA690. The circuit acts to limit the maximum source or sink current to approximately 250mA.

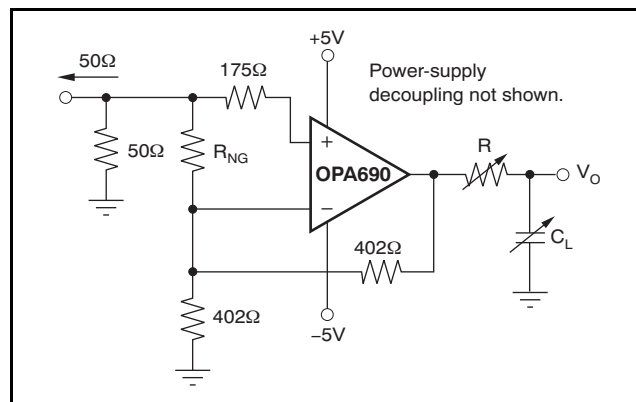
## DRIVING CAPACITIVE LOADS

One of the most demanding and yet very common load conditions for an op amp is capacitive loading. Often, the capacitive load is the input of an ADC—including additional external capacitance which may be recommended to improve ADC linearity. A high-speed, high open-loop gain amplifier like the

OPA690 can be very susceptible to decreased stability and closed-loop response peaking when a capacitive load is placed directly on the output pin. When the amplifier's open-loop output resistance is considered, this capacitive load introduces an additional pole in the signal path that can decrease the phase margin. Several external solutions to this problem have been suggested. When the primary considerations are frequency response flatness, pulse response fidelity, and/or distortion, the simplest and most effective solution is to isolate the capacitive load from the feedback loop by inserting a series-isolation resistor between the amplifier output and the capacitive load. This does not eliminate the pole from the loop response, but rather shifts it and adds a zero at a higher frequency. The additional zero acts to cancel the phase lag from the capacitive load pole, thus increasing the phase margin and improving stability.

The Typical Characteristics show the recommended  $R_S$  versus capacitive load ([Figure 15](#) for ±5V and [Figure 30](#) for +5V) and the resulting frequency response at the load. Parasitic capacitive loads greater than 2pF can begin to degrade the performance of the OPA690. Long PCB traces, unmatched cables, and connections to multiple devices can easily exceed this value. Always consider this effect carefully, and add the recommended series resistor as close as possible to the OPA690 output pin (see the [Board Layout Guidelines](#) section).

The criterion for setting this  $R_S$  resistor is a maximum bandwidth, flat frequency response at the load. For the OPA690 operating in a gain of +2, the frequency response at the output pin is already slightly peaked without the capacitive load requiring relatively high values of  $R_S$  to flatten the response at the load. Increasing the noise gain will reduce the peaking as described previously. The circuit of [Figure 44](#) demonstrates this technique, allowing lower values of  $R_S$  to be used for a given capacitive load.



**Figure 44. Capacitive Load Driving with Noise Gain Tuning**

This gain of +2 circuit includes a noise gain tuning resistor across the two inputs to increase the noise gain, increasing the unloaded phase margin for the op amp. Although this technique will reduce the required  $R_S$  resistor for a given capacitive load, it does increase the noise at the output. It also will decrease the loop gain, slightly decreasing the distortion performance. If, however, the dominant distortion mechanism arises from a high  $R_S$  value, significant dynamic range improvement can be achieved using this technique. Figure 45 shows the required  $R_S$  versus  $C_{LOAD}$  parametric on noise gain using this technique. This is the circuit of Figure 44 with  $R_{NG}$  adjusted to increase the noise gain (increasing the phase margin) then sweeping  $C_{LOAD}$  and finding the required  $R_S$  to get a flat frequency response. This plot also gives the required  $R_S$  versus  $C_{LOAD}$  for the OPA690 operated at higher signal gains.

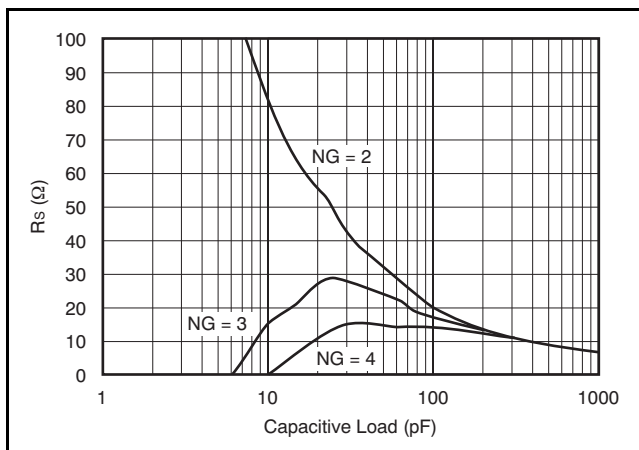


Figure 45. Required  $R_S$  vs Noise Gain

## DISTORTION PERFORMANCE

The OPA690 provides good distortion performance into a 100 $\Omega$  load on  $\pm 5V$  supplies. Relative to alternative solutions, it provides exceptional performance into lighter loads and/or operating on a single +5V supply. Generally, until the fundamental signal reaches very high frequency or power levels, the 2nd-harmonic dominates the distortion with a negligible 3rd-harmonic component. Focusing then on the 2nd-harmonic, increasing the load impedance improves distortion directly. Remember that the total load includes the feedback network; in the noninverting configuration (see Figure 36), this is sum of  $R_F + R_G$ , while in the inverting configuration it is just  $R_F$ . Also, providing an additional supply-decoupling capacitor (0.1 $\mu F$ ) between the supply pins (for bipolar operation) improves the 2nd-order distortion slightly (3dB to 6dB).

In most op amps, increasing the output voltage swing increases harmonic distortion directly. The new output stage used in the OPA690 actually holds the difference between fundamental power and the 2nd- and 3rd-harmonic powers relatively constant with increasing output power until very large output swings are required ( $> 4V_{PP}$ ). This also shows up in the 2-tone, 3rd-order intermodulation spurious (IM3) response curves. The 3rd-order spurious levels are moderately low at low output power levels. The output stage continues to hold them low even as the fundamental power reaches very high levels. As the Typical Characteristics show, the spurious intermodulation powers do not increase as predicted by a traditional intercept model. As the fundamental power level increases, the dynamic range does not decrease significantly. For two tones centered at 20MHz, with 10dBm/tone into a matched 50 $\Omega$  load (that is, 2V<sub>PP</sub> for each tone at the load, which requires 8V<sub>PP</sub> for the overall two-tone envelope at the output pin), the Typical Characteristics show 47dBc difference between the test tone powers and the 3rd-order intermodulation spurious powers. This performance improves further when operating at lower frequencies.

## NOISE PERFORMANCE

High slew rate, unity-gain stable, voltage-feedback op amps usually achieve their slew rate at the expense of a higher input noise voltage. The 5.5nV/ $\sqrt{Hz}$  input voltage noise for the OPA690 is, however, much lower than comparable amplifiers. The input-referred voltage noise, and the two input-referred current noise terms, combine to give low output noise under a wide variety of operating conditions. Figure 46 shows the op amp noise analysis model with all the noise terms included. In this model, all noise terms are taken to be noise voltage or current density terms in either nV/ $\sqrt{Hz}$  or pA/ $\sqrt{Hz}$ .

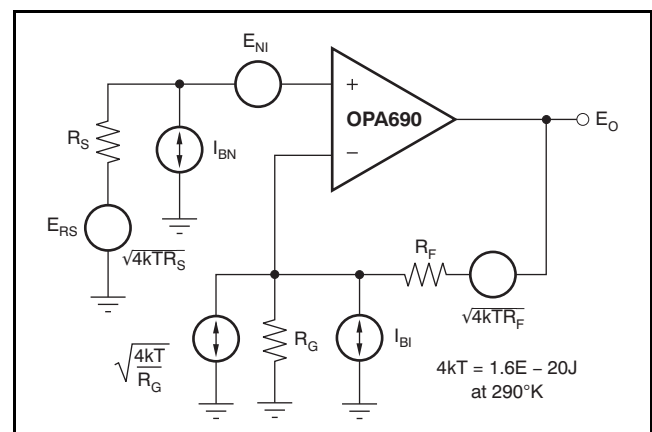


Figure 46. Op Amp Noise Analysis Model

The total output spot noise voltage can be computed as the square root of the sum of all squared output noise voltage contributors. Equation 3 shows the general form for the output noise voltage using the terms shown in Figure 46.

$$E_O = \sqrt{(E_{NI}^2 + (I_{BN}R_S)^2 + 4kTR_S) NG^2 + (I_{BI}R_F)^2 + 4kTR_F NG} \tag{3}$$

Dividing this expression by the noise gain [NG = (1 + R<sub>F</sub>/R<sub>G</sub>)] will give the equivalent input-referred spot noise voltage at the noninverting input, as shown in Equation 4.

$$E_N = \sqrt{E_{NI}^2 + (I_{BN}R_S)^2 + 4kTR_S + \left(\frac{I_{BI}R_F}{NG}\right)^2 + \frac{4kTR_F}{NG}} \tag{4}$$

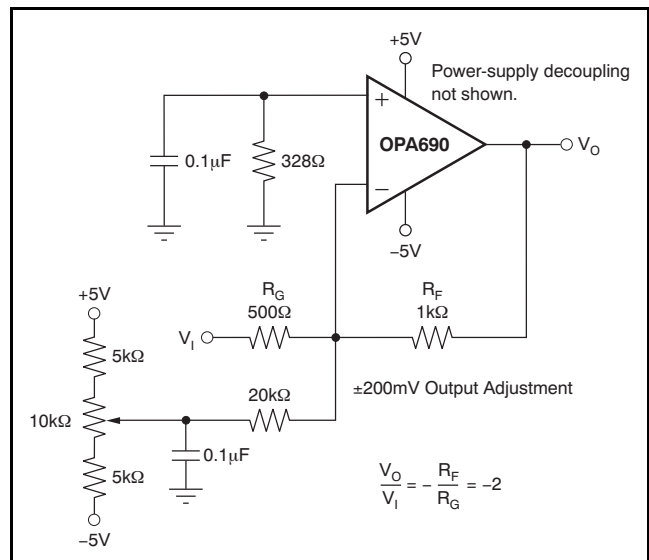
Evaluating these two equations for the OPA690 circuit and component values (see Figure 36) gives a total output spot noise voltage of 12.3nV/√Hz and a total equivalent input spot noise voltage of 6.1nV/√Hz. This is including the noise added by the bias current cancellation resistor (175Ω) on the noninverting input. This total input-referred spot noise voltage is only slightly higher than the 5.5nV/√Hz specification for the op amp voltage noise alone. This will be the case as long as the impedances appearing at each op amp input are limited to the previously recommend maximum value of 300Ω. Keeping both (R<sub>F</sub> || R<sub>G</sub>) and the noninverting input source impedance less than 300Ω will satisfy both noise and frequency response flatness considerations. Since the resistor-induced noise is relatively negligible, additional capacitive decoupling across the bias current cancellation resistor (R<sub>B</sub>) for the inverting op amp configuration of Figure 43 is not required.

**DC ACCURACY AND OFFSET CONTROL**

The balanced input stage of a wideband voltage-feedback op amp allows good output dc accuracy in a wide variety of applications. The power-supply current trim for the OPA690 gives even tighter control than comparable amplifiers. Although the high-speed input stage does require relatively high input bias current (typically ±8μA at each input terminal), the close matching between them may be used to reduce the output dc error caused by this current. The total output offset voltage may be considerably reduced by matching the dc source resistances appearing at the two inputs. This reduces the output dc error due to the input bias currents to the offset current times the feedback resistor. Evaluating the configuration of Figure 36, and using worst-case +25°C input offset voltage and current specifications, gives a worst-case output offset voltage equal to:

$$\begin{aligned} &-(NG = \text{noninverting signal gain}) \\ &\pm(NG \times V_{OS(MAX)}) \pm (R_F \times I_{OS(MAX)}) \\ &= \pm(2 \times 4\text{mV}) \pm (402\Omega \times 1\mu\text{A}) \\ &= \pm 8.4\text{mV} \end{aligned}$$

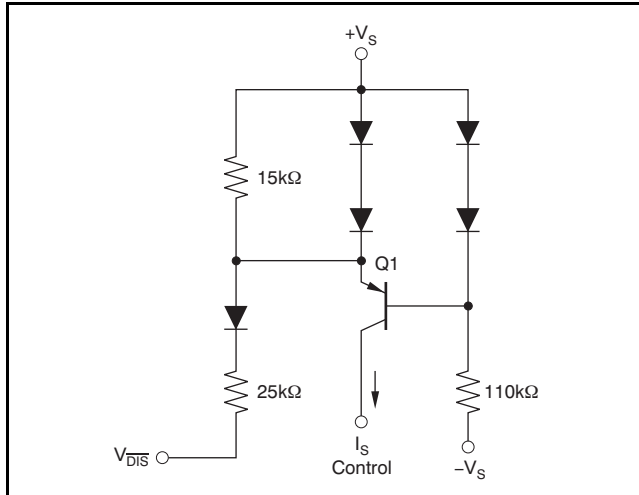
A fine-scale output offset null, or dc operating point adjustment, is often required. Numerous techniques are available for introducing dc offset control into an op amp circuit. Most of these techniques eventually reduce to adding a dc current through the feedback resistor. In selecting an offset trim method, one key consideration is the impact on the desired signal path frequency response. If the signal path is intended to be noninverting, the offset control is best applied as an inverting summing signal to avoid interaction with the signal source. If the signal path is intended to be inverting, applying the offset control to the noninverting input may be considered. However, the dc offset voltage on the summing junction will set up a dc current back into the source that must be considered. Applying an offset adjustment to the inverting op amp input can change the noise gain and frequency response flatness. For a dc-coupled inverting amplifier, see Figure 47 for one example of an offset adjustment technique that has minimal impact on the signal frequency response. In this case, the dc offsetting current is brought into the inverting input node through resistor values that are much larger than the signal path resistors. This ensures that the adjustment circuit has minimal effect on the loop gain and hence, the frequency response.



**Figure 47. DC-Coupled, Inverting Gain of -2, with Offset Adjustment**

## DISABLE OPERATION

The OPA690 provides an optional disable feature that may be used either to reduce system power or to implement a simple channel multiplexing operation. If the  $\overline{DIS}$  control pin is left unconnected, the OPA690 will operate normally. To disable, the control pin must be asserted LOW. Figure 48 shows a simplified internal circuit for the disable control feature.



**Figure 48. Simplified Disable Control Circuit**

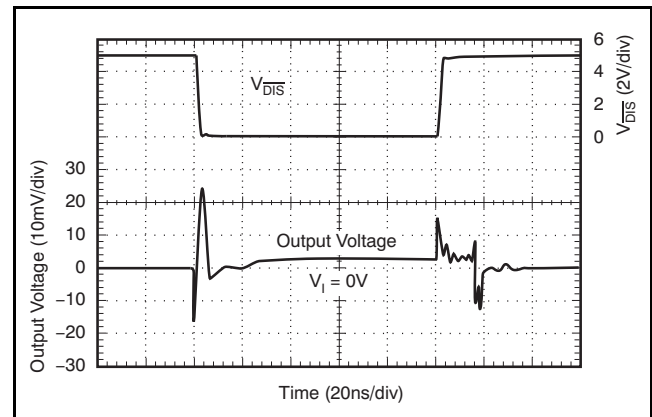
In normal operation, base current to Q1 is provided through the 110kΩ resistor, while the emitter current through the 15kΩ resistor sets up a voltage drop that is inadequate to turn on the two diodes in Q1's emitter. As  $\overline{DIS}$  is pulled LOW, additional current is pulled through the 15kΩ resistor, eventually turning on those two diodes ( $\approx 75\mu\text{A}$ ). At this point, any further current pulled out of  $\overline{DIS}$  goes through those diodes holding the emitter-base voltage of Q1 at approximately 0V. This shuts off the collector current out of Q1, turning the amplifier off. The supply current in the disable mode are only those required to operate the circuit of Figure 48. Additional circuitry ensures that turn-on time occurs faster than turn-off time (make-before-break).

When disabled, the output and input nodes go to a high-impedance state. If the OPA690 is operating at a

gain of +1, this will show a very high impedance at the output and exceptional signal isolation. If operating at a gain greater than +1, the total feedback network resistance ( $R_F + R_G$ ) will appear as the impedance looking back into the output, but the circuit will still show very high forward and reverse isolation. If configured as an inverting amplifier, the input and output will be connected through the feedback network resistance ( $R_F + R_G$ ) and the isolation will be very poor as a result.

One key parameter in disable operation is the output glitch when switching in and out of the disabled mode. Figure 49 shows these glitches for the circuit of Figure 36 with the input signal at 0V. The glitch waveform at the output pin is plotted along with the  $\overline{DIS}$  pin voltage.

The transition edge rate ( $dV/dt$ ) of the  $\overline{DIS}$  control line will influence this glitch. For the plot of Figure 49, the edge rate was reduced until no further reduction in glitch amplitude was observed. This approximately 1V/ns maximum slew rate may be achieved by adding a simple RC filter into the  $\overline{DIS}$  pin from a higher speed logic line. If extremely fast transition logic is used, a 1kΩ series resistor between the logic gate and the  $\overline{DIS}$  input pin provides adequate bandlimiting using just the parasitic input capacitance on the  $\overline{DIS}$  pin while still ensuring adequate logic level swing.



**Figure 49. Disable/Enable Glitch**



## THERMAL ANALYSIS

Due to the high output power capability of the OPA690, heatsinking or forced airflow may be required under extreme operating conditions. Maximum desired junction temperature will set the maximum allowed internal power dissipation as described below. In no case should the maximum junction temperature be allowed to exceed 175°C.

Operating junction temperature ( $T_J$ ) is given by  $T_A + P_D \times \theta_{JA}$ . The total internal power dissipation ( $P_D$ ) is the sum of quiescent power ( $P_{DQ}$ ) and additional power dissipated in the output stage ( $P_{DL}$ ) to deliver load power. Quiescent power is simply the specified no-load supply current times the total supply voltage across the part.  $P_{DL}$  depends on the required output signal and load but, for a grounded resistive load, be at a maximum when the output is fixed at a voltage equal to 1/2 of either supply voltage (for equal bipolar supplies). Under this condition,  $P_{DL} = V_{S2}^2 / (4 \times R_L)$  where  $R_L$  includes feedback network loading.

Note that it is the power in the output stage and not into the load that determines internal power dissipation.

As a worst-case example, compute the maximum  $T_J$  using an OPA690IDBV (SOT23-6 package) in the circuit of [Figure 36](#) operating at the maximum specified ambient temperature of +85°C and driving a grounded 20Ω load.

$$P_D = 10V \times 6.2mA + 5^2 / (4 \times (20\Omega \parallel 804\Omega)) = 382mW$$

$$\text{Maximum } T_J = +85^\circ\text{C} + (0.38W \times 150^\circ\text{C/W}) = 142^\circ\text{C}.$$

Although this is still well below the specified maximum junction temperature, system reliability considerations may require lower tested junction temperatures. The highest possible internal dissipation will occur if the load requires current to be forced into the output for positive output voltages or sourced from the output for negative output voltages. This puts a high current through a large internal voltage drop in the output transistors. [Figure 19](#), the output V-I plot shown in the ±5V Typical Characteristics, include a boundary for 1W maximum internal power dissipation under these conditions.

## BOARD LAYOUT GUIDELINES

Achieving optimum performance with a high-frequency amplifier like the OPA690 requires careful attention to board layout parasitics and external component types. Recommendations that will optimize performance include:

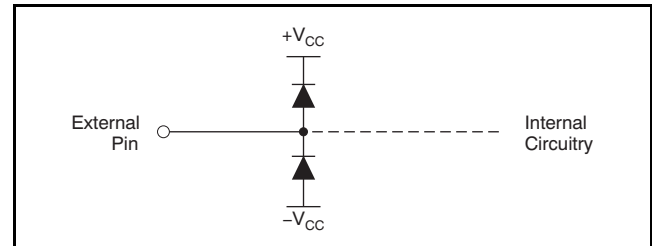
- a. **Minimize parasitic capacitance** to any ac ground for all of the signal I/O pins. Parasitic capacitance on the output and inverting input pins can cause instability: on the noninverting input, it can react with the source impedance to cause unintentional bandlimiting. To reduce unwanted capacitance, a window around the signal I/O pins should be opened in all of the ground and power planes around those pins. Otherwise, ground and power planes should be unbroken elsewhere on the board.
  - b. **Minimize the distance** ( $< 0.25"$ ) from the power-supply pins to high-frequency  $0.1\mu\text{F}$  decoupling capacitors. At the device pins, the ground and power-plane layout should not be in close proximity to the signal I/O pins. Avoid narrow power and ground traces to minimize inductance between the pins and the decoupling capacitors. The power-supply connections should always be decoupled with these capacitors. An optional supply decoupling capacitor ( $0.1\mu\text{F}$ ) across the two power supplies (for bipolar operation) will improve 2nd-harmonic distortion performance. Larger ( $2.2\mu\text{F}$  to  $6.8\mu\text{F}$ ) decoupling capacitors, effective at lower frequencies, should also be used on the main supply pins. These may be placed somewhat farther from the device and may be shared among several devices in the same area of the PCB.
  - c. **Careful selection and placement of external components will preserve the high-frequency performance of the OPA690.** Resistors should be a very low reactance type. Surface-mount resistors work best and allow a tighter overall layout. Metal film or carbon composition axially-leaded resistors can also provide good high-frequency performance. Again, keep their leads and PCB traces as short as possible. Never use wirewound type resistors in a high-frequency application. Since the output pin and inverting input pin are the most sensitive to parasitic capacitance, always position the feedback and series output resistor, if any, as close as possible to the output pin. Other network components, such as noninverting input termination resistors, should also be placed close to the package. Where double-side component mounting is allowed, place the feedback resistor directly under the package on the other side of the board between the output and inverting input pins. Even with a low parasitic capacitance shunting the
- external resistors, excessively high resistor values can create significant time constants that can degrade performance. Good axial metal film or surface-mount resistors have approximately  $0.2\text{pF}$  in shunt with the resistor. For resistor values  $> 1.5\text{k}\Omega$ , this parasitic capacitance can add a pole and/or zero below  $500\text{MHz}$  that can affect circuit operation. Keep resistor values as low as possible consistent with load driving considerations. The  $402\Omega$  feedback used in the Electrical Characteristics is a good starting point for design. Note that a  $25\Omega$  feedback resistor, rather than a direct short, is suggested for the unity-gain follower application. This effectively isolates the inverting input capacitance from the output pin that would otherwise cause an additional peaking in the gain of  $+1$  frequency response.
- d. **Connections to other wideband devices** on the board may be made with short, direct traces or through onboard transmission lines. For short connections, consider the trace and the input to the next device as a lumped capacitive load. Relatively wide traces ( $50\text{mils}$  or  $1.27\text{mm}$  to  $100\text{mils}$  or  $2.54\text{mm}$ ) should be used, preferably with ground and power planes opened up around them. Estimate the total capacitive load and set  $R_S$  from the plot of Recommended  $R_S$  vs Capacitive Load (Figure 15 for  $\pm 5\text{V}$  and Figure 30 for  $+5\text{V}$ ). Low parasitic capacitive loads ( $< 5\text{pF}$ ) may not need an  $R_S$  because the OPA690 is nominally compensated to operate with a  $2\text{pF}$  parasitic load. Higher parasitic capacitive loads without an  $R_S$  are allowed as the signal gain increases (increasing the unloaded phase margin). If a long trace is required, and the  $6\text{dB}$  signal loss intrinsic to a doubly-terminated transmission line is acceptable, implement a matched impedance transmission line using microstrip or stripline techniques (consult an ECL design handbook for microstrip and stripline layout techniques). A  $50\Omega$  environment is normally not necessary on board, and in fact, a higher impedance environment will improve distortion as shown in the distortion versus load plots. With a characteristic board trace impedance defined (based on board material and trace dimensions), a matching series resistor into the trace from the output of the OPA690 is used as well as a terminating shunt resistor at the input of the destination device. Remember also that the terminating impedance will be the parallel combination of the shunt resistor and the input impedance of the destination device; this total effective impedance should be set to match the trace impedance. The high output voltage and current capability of the OPA690 allows multiple

destination devices to be handled as separate transmission lines, each with their own series and shunt terminations. If the 6dB attenuation of a doubly-terminated transmission line is unacceptable, a long trace can be series-terminated at the source end only. Treat the trace as a capacitive load in this case and set the series resistor value as shown in the plot of Recommended  $R_S$  vs Capacitive Load (Figure 15 for  $\pm 5V$  and Figure 30 for +5V). This will not preserve signal integrity as well as a doubly-terminated line. If the input impedance of the destination device is low, there will be some signal attenuation due to the voltage divider formed by the series output into the terminating impedance.

- e. **Socketing a high-speed part like the OPA690 is not recommended.** The additional lead length and pin-to-pin capacitance introduced by the socket can create an extremely troublesome parasitic network which can make it almost impossible to achieve a smooth, stable frequency response. Best results are obtained by soldering the OPA690 onto the board.

## INPUT AND ESD PROTECTION

The OPA690 is built using a very high-speed complementary bipolar process. The internal junction breakdown voltages are relatively low for these very small geometry devices. These breakdowns are reflected in the [Absolute Maximum Ratings](#) table. All device pins are protected with internal ESD protection diodes to the power supplies, as shown in Figure 50.



**Figure 50. Internal ESD Protection**

These diodes provide moderate protection to input overdrive voltages above the supplies as well. The protection diodes can typically support 30mA continuous current. Where higher currents are possible (e.g., in systems with  $\pm 15V$  supply parts driving into the OPA690), current-limiting series resistors should be added into the two inputs. Keep these resistor values as low as possible since high values degrade both noise performance and frequency response.

**REVISION HISTORY**

NOTE: Page numbers for previous revisions may differ from page numbers in the current version.

<b>Changes from Revision E (November 2008) to Revision F</b>	<b>Page</b>
• Changed data sheet format to current standards .....	1
• Deleted <i>Lead Temperature</i> specification from Absolute Maximum Ratings table .....	2
• Added <a href="#">Figure 25</a> , Noninverting Overdrive Recovery plot .....	11

<b>Changes from Revision D (August 2008) to Revision E</b>	<b>Page</b>
• Deleted obsolete OPA680 from Related Products table .....	1

**PACKAGING INFORMATION**

Orderable Device	Status <sup>(1)</sup>	Package Type	Package Drawing	Pins	Package Qty	Eco Plan <sup>(2)</sup>	Lead/Ball Finish	MSL Peak Temp <sup>(3)</sup>
OPA690ID	ACTIVE	SOIC	D	8	75	Green (RoHS & no Sb/Br)	CU NIPDAU	Level-2-260C-1 YEAR
OPA690IDBVR	ACTIVE	SOT-23	DBV	6	3000	Green (RoHS & no Sb/Br)	CU NIPDAU	Level-2-260C-1 YEAR
OPA690IDBVRG4	ACTIVE	SOT-23	DBV	6	3000	Green (RoHS & no Sb/Br)	CU NIPDAU	Level-2-260C-1 YEAR
OPA690IDBVT	ACTIVE	SOT-23	DBV	6	250	Green (RoHS & no Sb/Br)	CU NIPDAU	Level-2-260C-1 YEAR
OPA690IDBVTG4	ACTIVE	SOT-23	DBV	6	250	Green (RoHS & no Sb/Br)	CU NIPDAU	Level-2-260C-1 YEAR
OPA690IDG4	ACTIVE	SOIC	D	8	75	Green (RoHS & no Sb/Br)	CU NIPDAU	Level-2-260C-1 YEAR
OPA690IDR	ACTIVE	SOIC	D	8	2500	Green (RoHS & no Sb/Br)	CU NIPDAU	Level-2-260C-1 YEAR
OPA690IDRG4	ACTIVE	SOIC	D	8	2500	Green (RoHS & no Sb/Br)	CU NIPDAU	Level-2-260C-1 YEAR

<sup>(1)</sup> The marketing status values are defined as follows:

**ACTIVE:** Product device recommended for new designs.

**LIFEBUY:** TI has announced that the device will be discontinued, and a lifetime-buy period is in effect.

**NRND:** Not recommended for new designs. Device is in production to support existing customers, but TI does not recommend using this part in a new design.

**PREVIEW:** Device has been announced but is not in production. Samples may or may not be available.

**OBSOLETE:** TI has discontinued the production of the device.

<sup>(2)</sup> Eco Plan - The planned eco-friendly classification: Pb-Free (RoHS), Pb-Free (RoHS Exempt), or Green (RoHS & no Sb/Br) - please check <http://www.ti.com/productcontent> for the latest availability information and additional product content details.

**TBD:** The Pb-Free/Green conversion plan has not been defined.

**Pb-Free (RoHS):** TI's terms "Lead-Free" or "Pb-Free" mean semiconductor products that are compatible with the current RoHS requirements for all 6 substances, including the requirement that lead not exceed 0.1% by weight in homogeneous materials. Where designed to be soldered at high temperatures, TI Pb-Free products are suitable for use in specified lead-free processes.

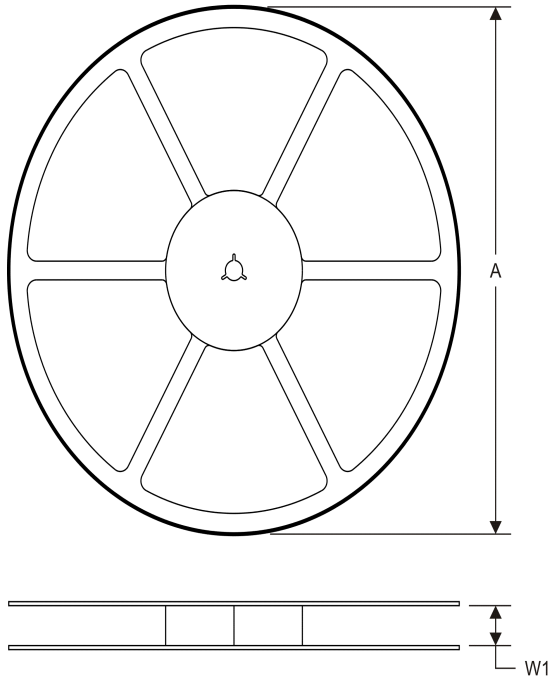
**Pb-Free (RoHS Exempt):** This component has a RoHS exemption for either 1) lead-based flip-chip solder bumps used between the die and package, or 2) lead-based die adhesive used between the die and leadframe. The component is otherwise considered Pb-Free (RoHS compatible) as defined above.

**Green (RoHS & no Sb/Br):** TI defines "Green" to mean Pb-Free (RoHS compatible), and free of Bromine (Br) and Antimony (Sb) based flame retardants (Br or Sb do not exceed 0.1% by weight in homogeneous material)

<sup>(3)</sup> MSL, Peak Temp. -- The Moisture Sensitivity Level rating according to the JEDEC industry standard classifications, and peak solder temperature.

**Important Information and Disclaimer:**The information provided on this page represents TI's knowledge and belief as of the date that it is provided. TI bases its knowledge and belief on information provided by third parties, and makes no representation or warranty as to the accuracy of such information. Efforts are underway to better integrate information from third parties. TI has taken and continues to take reasonable steps to provide representative and accurate information but may not have conducted destructive testing or chemical analysis on incoming materials and chemicals. TI and TI suppliers consider certain information to be proprietary, and thus CAS numbers and other limited information may not be available for release.

In no event shall TI's liability arising out of such information exceed the total purchase price of the TI part(s) at issue in this document sold by TI to Customer on an annual basis.

**TAPE AND REEL INFORMATION**
**REEL DIMENSIONS**

**TAPE DIMENSIONS**


A0	Dimension designed to accommodate the component width
B0	Dimension designed to accommodate the component length
K0	Dimension designed to accommodate the component thickness
W	Overall width of the carrier tape
P1	Pitch between successive cavity centers

**TAPE AND REEL INFORMATION**

\*All dimensions are nominal

Device	Package Type	Package Drawing	Pins	SPQ	Reel Diameter (mm)	Reel Width W1 (mm)	A0 (mm)	B0 (mm)	K0 (mm)	P1 (mm)	W (mm)	Pin1 Quadrant
OPA690IDBVR	SOT-23	DBV	6	3000	180.0	8.4	3.2	3.1	1.39	4.0	8.0	Q3
OPA690IDBVT	SOT-23	DBV	6	250	180.0	8.4	3.2	3.1	1.39	4.0	8.0	Q3
OPA690IDR	SOIC	D	8	2500	330.0	12.4	6.4	5.2	2.1	8.0	12.0	Q1

**TAPE AND REEL BOX DIMENSIONS**


\*All dimensions are nominal

Device	Package Type	Package Drawing	Pins	SPQ	Length (mm)	Width (mm)	Height (mm)
OPA690IDBVR	SOT-23	DBV	6	3000	210.0	185.0	35.0
OPA690IDBVT	SOT-23	DBV	6	250	210.0	185.0	35.0
OPA690IDR	SOIC	D	8	2500	346.0	346.0	29.0

DBV (R-PDSO-G6)

PLASTIC SMALL-OUTLINE PACKAGE



- NOTES:
- A. All linear dimensions are in millimeters.
  - B. This drawing is subject to change without notice.
  - C. Body dimensions do not include mold flash or protrusion. Mold flash and protrusion shall not exceed 0.15 per side.
  - D. Leads 1,2,3 may be wider than leads 4,5,6 for package orientation.
- $\triangle$  Falls within JEDEC MO-178 Variation AB, except minimum lead width.



DBV (R-PDSO-G6)

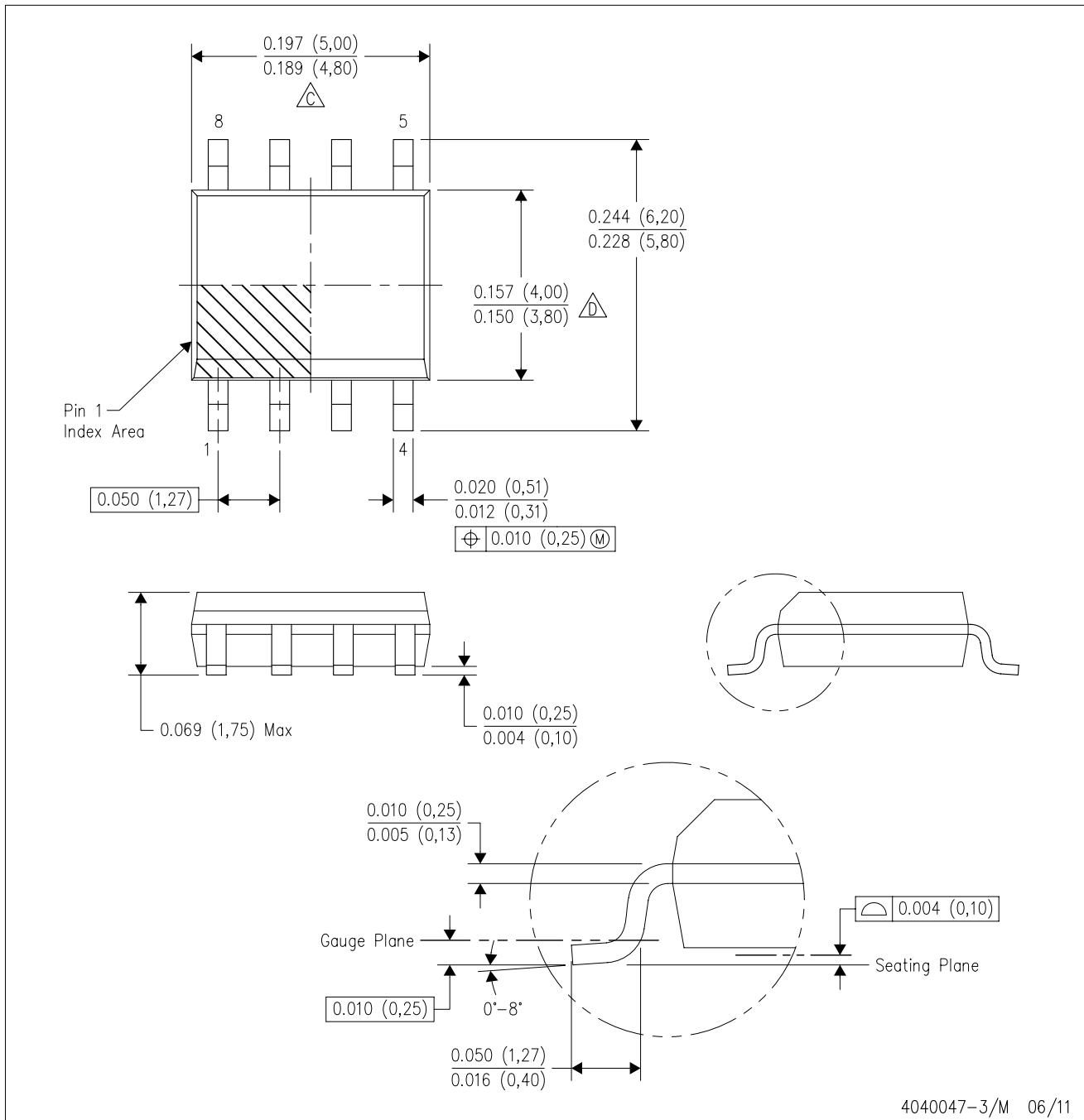
PLASTIC SMALL OUTLINE



- NOTES:
- A. All linear dimensions are in millimeters.
  - B. This drawing is subject to change without notice.
  - C. Customers should place a note on the circuit board fabrication drawing not to alter the center solder mask defined pad.
  - D. Publication IPC-7351 is recommended for alternate designs.
  - E. Laser cutting apertures with trapezoidal walls and also rounding corners will offer better paste release. Customers should contact their board assembly site for stencil design recommendations. Example stencil design based on a 50% volumetric metal load solder paste. Refer to IPC-7525 for other stencil recommendations.

D (R-PDSO-G8)

PLASTIC SMALL OUTLINE



4040047-3/M 06/11

- NOTES:
- A. All linear dimensions are in inches (millimeters).
  - B. This drawing is subject to change without notice.
  - C. Body length does not include mold flash, protrusions, or gate burrs. Mold flash, protrusions, or gate burrs shall not exceed 0.006 (0,15) each side.
  - D. Body width does not include interlead flash. Interlead flash shall not exceed 0.017 (0,43) each side.
  - E. Reference JEDEC MS-012 variation AA.

D (R-PDSO-G8)

PLASTIC SMALL OUTLINE



- NOTES:
- All linear dimensions are in millimeters.
  - This drawing is subject to change without notice.
  - Publication IPC-7351 is recommended for alternate designs.
  - Laser cutting apertures with trapezoidal walls and also rounding corners will offer better paste release. Customers should contact their board assembly site for stencil design recommendations. Refer to IPC-7525 for other stencil recommendations.
  - Customers should contact their board fabrication site for solder mask tolerances between and around signal pads.

## IMPORTANT NOTICE

Texas Instruments Incorporated and its subsidiaries (TI) reserve the right to make corrections, modifications, enhancements, improvements, and other changes to its products and services at any time and to discontinue any product or service without notice. Customers should obtain the latest relevant information before placing orders and should verify that such information is current and complete. All products are sold subject to TI's terms and conditions of sale supplied at the time of order acknowledgment.

TI warrants performance of its hardware products to the specifications applicable at the time of sale in accordance with TI's standard warranty. Testing and other quality control techniques are used to the extent TI deems necessary to support this warranty. Except where mandated by government requirements, testing of all parameters of each product is not necessarily performed.

TI assumes no liability for applications assistance or customer product design. Customers are responsible for their products and applications using TI components. To minimize the risks associated with customer products and applications, customers should provide adequate design and operating safeguards.

TI does not warrant or represent that any license, either express or implied, is granted under any TI patent right, copyright, mask work right, or other TI intellectual property right relating to any combination, machine, or process in which TI products or services are used. Information published by TI regarding third-party products or services does not constitute a license from TI to use such products or services or a warranty or endorsement thereof. Use of such information may require a license from a third party under the patents or other intellectual property of the third party, or a license from TI under the patents or other intellectual property of TI.

Reproduction of TI information in TI data books or data sheets is permissible only if reproduction is without alteration and is accompanied by all associated warranties, conditions, limitations, and notices. Reproduction of this information with alteration is an unfair and deceptive business practice. TI is not responsible or liable for such altered documentation. Information of third parties may be subject to additional restrictions.

Resale of TI products or services with statements different from or beyond the parameters stated by TI for that product or service voids all express and any implied warranties for the associated TI product or service and is an unfair and deceptive business practice. TI is not responsible or liable for any such statements.

TI products are not authorized for use in safety-critical applications (such as life support) where a failure of the TI product would reasonably be expected to cause severe personal injury or death, unless officers of the parties have executed an agreement specifically governing such use. Buyers represent that they have all necessary expertise in the safety and regulatory ramifications of their applications, and acknowledge and agree that they are solely responsible for all legal, regulatory and safety-related requirements concerning their products and any use of TI products in such safety-critical applications, notwithstanding any applications-related information or support that may be provided by TI. Further, Buyers must fully indemnify TI and its representatives against any damages arising out of the use of TI products in such safety-critical applications.

TI products are neither designed nor intended for use in military/aerospace applications or environments unless the TI products are specifically designated by TI as military-grade or "enhanced plastic." Only products designated by TI as military-grade meet military specifications. Buyers acknowledge and agree that any such use of TI products which TI has not designated as military-grade is solely at the Buyer's risk, and that they are solely responsible for compliance with all legal and regulatory requirements in connection with such use.

TI products are neither designed nor intended for use in automotive applications or environments unless the specific TI products are designated by TI as compliant with ISO/TS 16949 requirements. Buyers acknowledge and agree that, if they use any non-designated products in automotive applications, TI will not be responsible for any failure to meet such requirements.

Following are URLs where you can obtain information on other Texas Instruments products and application solutions:

### Products

Audio	<a href="http://www.ti.com/audio">www.ti.com/audio</a>
Amplifiers	<a href="http://amplifier.ti.com">amplifier.ti.com</a>
Data Converters	<a href="http://dataconverter.ti.com">dataconverter.ti.com</a>
DLP® Products	<a href="http://www.dlp.com">www.dlp.com</a>
DSP	<a href="http://dsp.ti.com">dsp.ti.com</a>
Clocks and Timers	<a href="http://www.ti.com/clocks">www.ti.com/clocks</a>
Interface	<a href="http://interface.ti.com">interface.ti.com</a>
Logic	<a href="http://logic.ti.com">logic.ti.com</a>
Power Mgmt	<a href="http://power.ti.com">power.ti.com</a>
Microcontrollers	<a href="http://microcontroller.ti.com">microcontroller.ti.com</a>
RFID	<a href="http://www.ti-rfid.com">www.ti-rfid.com</a>
OMAP Mobile Processors	<a href="http://www.ti.com/omap">www.ti.com/omap</a>
Wireless Connectivity	<a href="http://www.ti.com/wirelessconnectivity">www.ti.com/wirelessconnectivity</a>

### Applications

Communications and Telecom	<a href="http://www.ti.com/communications">www.ti.com/communications</a>
Computers and Peripherals	<a href="http://www.ti.com/computers">www.ti.com/computers</a>
Consumer Electronics	<a href="http://www.ti.com/consumer-apps">www.ti.com/consumer-apps</a>
Energy and Lighting	<a href="http://www.ti.com/energy">www.ti.com/energy</a>
Industrial	<a href="http://www.ti.com/industrial">www.ti.com/industrial</a>
Medical	<a href="http://www.ti.com/medical">www.ti.com/medical</a>
Security	<a href="http://www.ti.com/security">www.ti.com/security</a>
Space, Avionics and Defense	<a href="http://www.ti.com/space-avionics-defense">www.ti.com/space-avionics-defense</a>
Transportation and Automotive	<a href="http://www.ti.com/automotive">www.ti.com/automotive</a>
Video and Imaging	<a href="http://www.ti.com/video">www.ti.com/video</a>

TI E2E Community Home Page

[e2e.ti.com](http://e2e.ti.com)

Mailing Address: Texas Instruments, Post Office Box 655303, Dallas, Texas 75265  
Copyright © 2011, Texas Instruments Incorporated