

LOC	DIST	REVISIONS			
P	LTR	DESCRIPTION	DATE	DWN	APVD
AD	0	R	REVISED PER ECO-11-020756	17OCT11	KH PO

# 25-06123 8-POS ADE08S04

### SPECIFICATIONS:

#### MATERIAL

BASE, PPS, UL94V-0, BLACK  
 COVER, PPS, UL94V-0, BLACK  
 ACTUATOR, PA6T, UL94V-0, WHITE  
 FIXED CONTACT/TERMINAL, CU ALLOY-GOLD FLASH OVER NICKEL  
 MOVING CONTACT, CU ALLOY, PLATE-GOLD FLASH/NICKEL

#### ELECTRICAL

MAX CONTACT RATING SWITCHING, 100MILLIAMP @ 24 VDC  
 MIN CONTACT RATING SWITCHING, .1MICROAMP @ 1 MILLIVOLT  
 MAX CONTACT NON-SWITCHING, 1AMP @ 5 VDC  
 INITIAL CONTACT RESISTANCE, 50 MILLIOHMS MAX.  
 CONTACT RESISTANCE (AFTER ENVIRONMENTAL TEST), 100 MILLIOHMS  
 CONTACT RESISTANCE (AFTER GAS TEST), 300 MILLIOHMS  
 INSULATION RESISTANCE, 1,000 MEGOHMS MIN. @ 100 VDC  
 DIELECTRIC STRENGTH, 500 VAC RMS @ SEA LEVEL  
 LIFE EXPECTANCY, 1,000 CYCLES

#### MECHANICAL

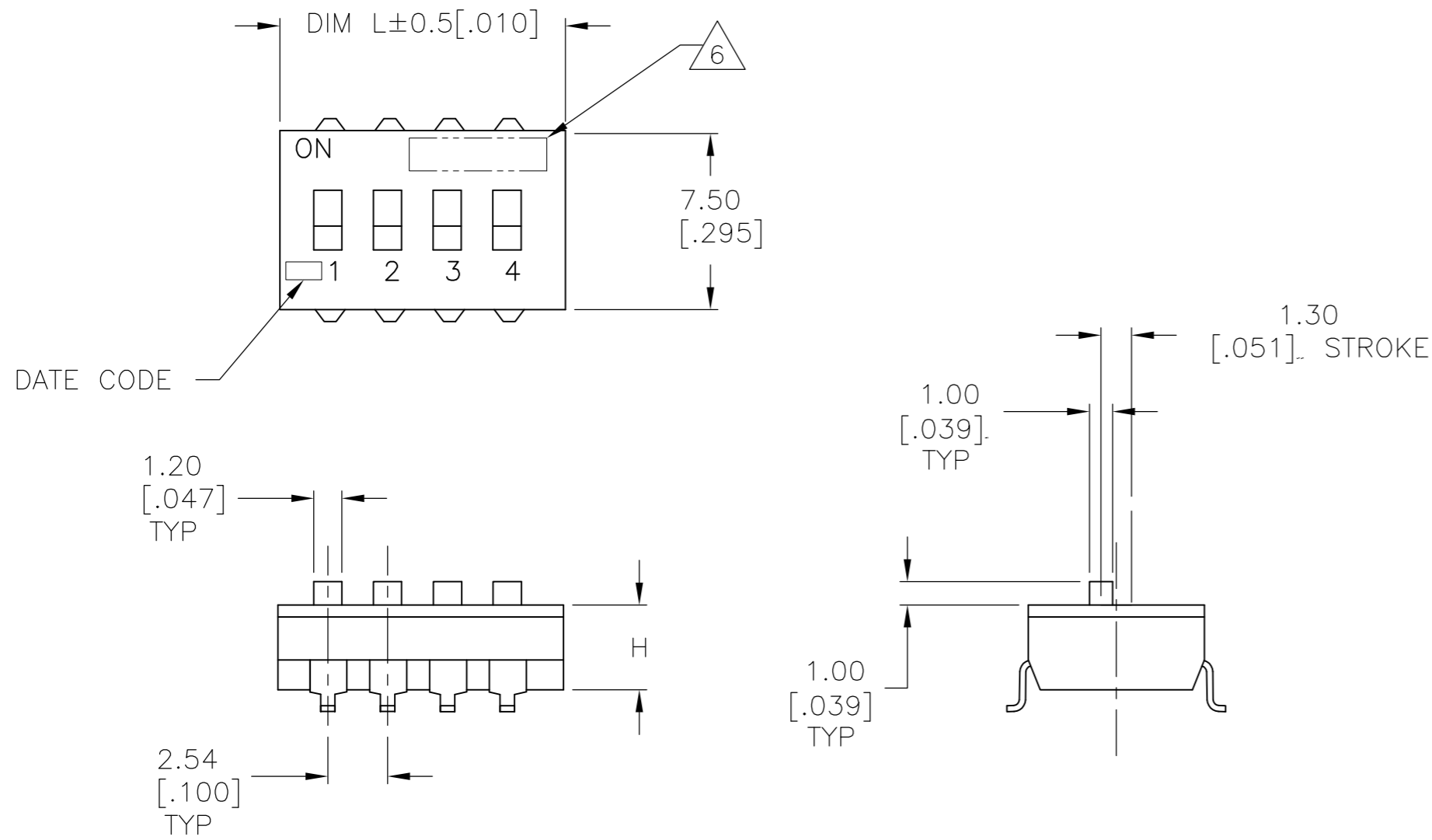
OPERATING FORCE, LESS THAN 800 GRAMS  
 CONTACT PRESSURE, 280,000 PSI

#### ENVIRONMENTAL

OPERATING TEMPERATURE, -30 TO +85 DEGREES C  
 STORAGE TEMPERATURE, -45 TO +105 DEGREES C  
 CLEANING, AQUEOUS OR SOLVENT  
 SOLDER HEAT RESISTANCE, PER 109-201,COND B, SWITCH "OFF".  
 SOLDERABILITY PER JIS C 0050 & JIS C 0053

- SWITCHES TO BE RECEIVED IN THE "OFF" POSITION AND PACKAGED IN CLEAR TUBES TO ACCOMMODATE AUTO-INSERTION.
- TOP SURFACE TO BE CLEARLY MARKED AS SHOWN
- SWITCHES TO BE BLACK WITH WHITE ACTUATORS AND MARKINGS.
- △ TERMINAL OPTION: OLD T&B P/N ADExxS, SA OR SB  
 S= OUTSIDE "L" TERMINALS; SA= INSIDE "L" TERMINALS;  
 SB= BUTT TERMINALS
- ALL MATERIALS AND FINISHES SHALL COMPLY WITH EU DIRECTIVE 2002/95/EC OF 27JAN2003 (ROHS)
- △ OBSOLETE PARTS: OBSOLETE CIS STREAMLINING PER D.RENAUD/D.SINISI

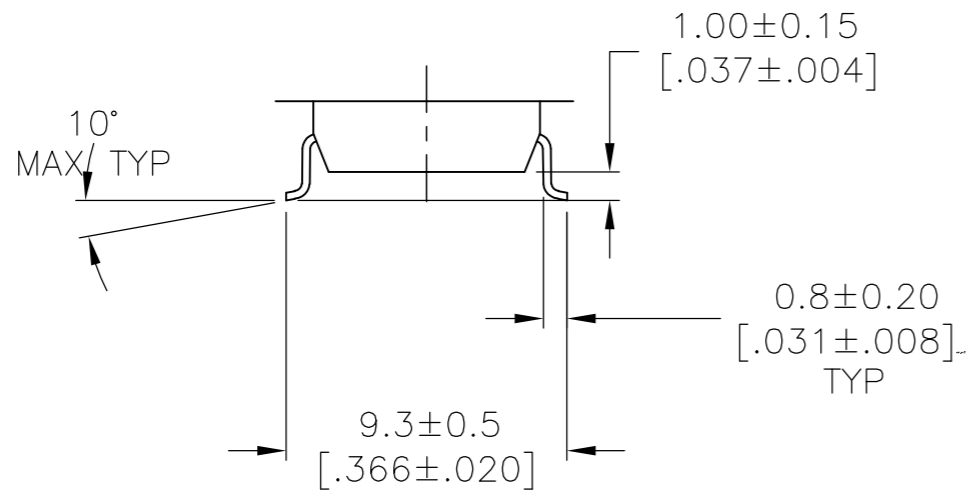
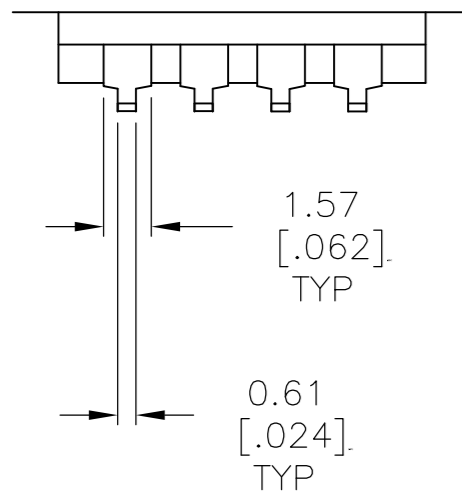
SEE SHEET 2 FOR PART NUMBER TABLE AND MOUNTING OPTIONS



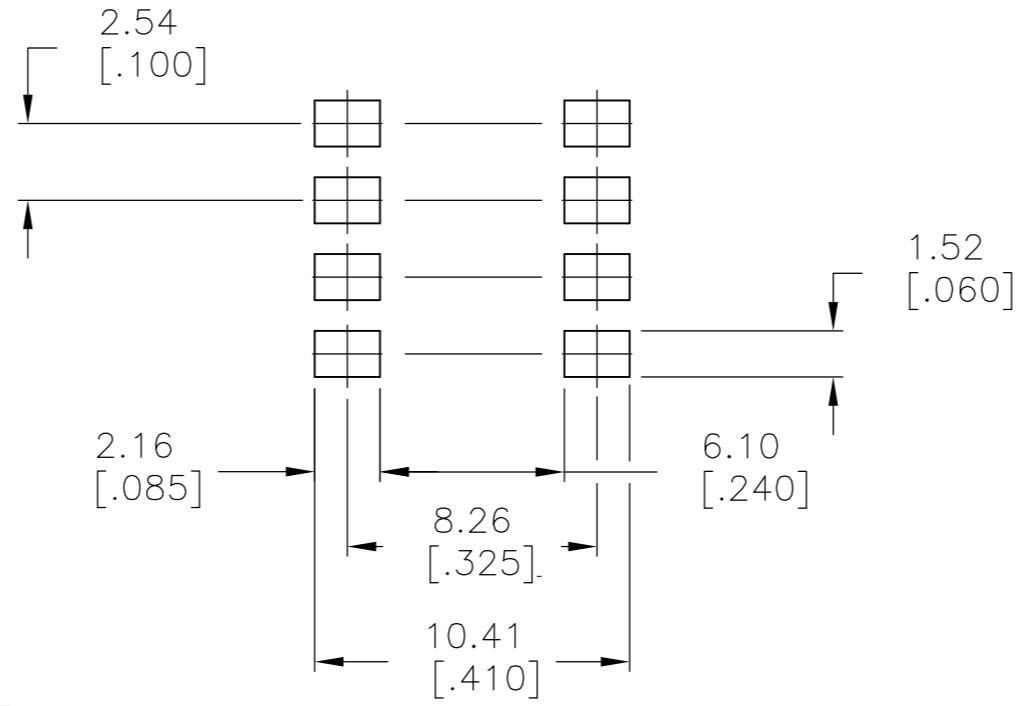
THIS DRAWING IS A CONTROLLED DOCUMENT.		DWN B.S.VISWESWARA 10FEB05	TE Connectivity	
DIMENSIONS: mm [INCHES]		CHK M.SARVER		
TOLERANCES UNLESS OTHERWISE SPECIFIED:		APVD M.SARVER	DIP SWITCH, ADE-SMT SERIES	
0 PLC ± - 1 PLC ± - 2 PLC ± 0.30[.012] 3 PLC ± - 4 PLC ± - ANGLES ± -		PRODUCT SPEC -	SIZE A2	CAGE CODE -
MATERIAL -		FINISH -	DRAWING NO C=1825058	RESTRICTED TO -
		WEIGHT -	SCALE 4:1	SHEET 1 OF 2
		CUSTOMER DRAWING	REV R	

THIS DRAWING IS UNPUBLISHED. RELEASED FOR PUBLICATION 1825058, 1825058  
 © COPYRIGHT 1825058 - ALL RIGHTS RESERVED.

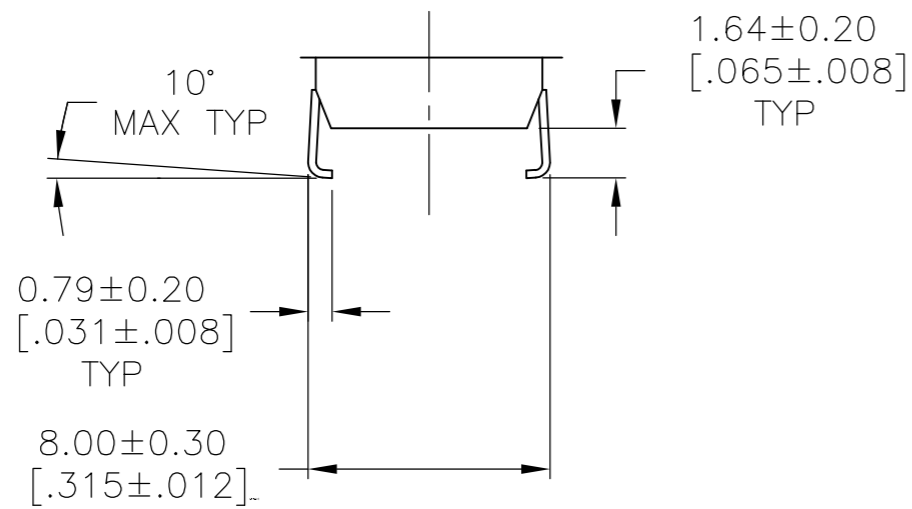
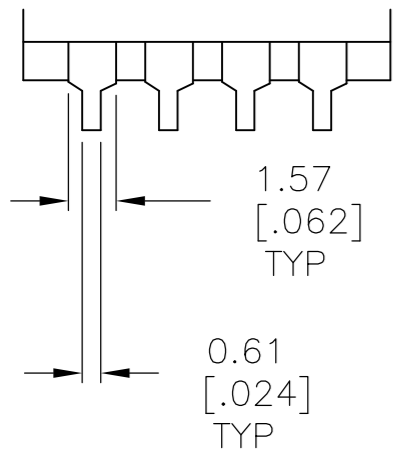
LOC	DIST	REVISIONS					
AD	0	P	LTR	DESCRIPTION	DATE	DWN	APVD
		-		SEE SHEET 1		-	-



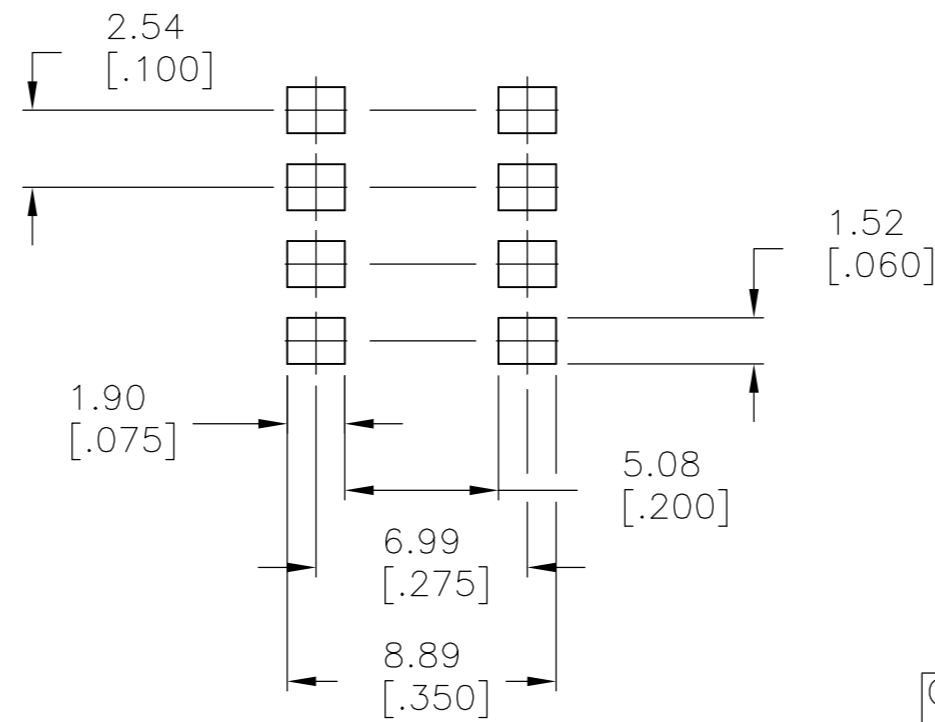
SURFACE MOUNT  
S (OUTSIDE "L")



RECOMMENDED PAD LAYOUT



SURFACE MOUNT  
SA (INSIDE "L")



RECOMMENDED PAD LAYOUT

ADE12SB04	3.61 [.142]	32.51 [1.280]	12	3-1825058-0
ADE12SA04	3.61 [.142]	32.51 [1.280]	12	2-1825058-9
ADE12S04	3.61 [.142]	32.51 [1.280]	12	2-1825058-8
ADE10SB04	3.50 [.138]	27.36 [.1078]	10	2-1825058-7
ADE10SA04	3.50 [.138]	27.36 [.1078]	10	2-1825058-6
ADE10S04	3.50 [.138]	27.36 [.1078]	10	2-1825058-5
ADE09SB04	3.50 [.138]	24.54 [.978]	9	2-1825058-4
ADE09SA04	3.50 [.138]	24.54 [.978]	9	2-1825058-3
ADE09S04	3.50 [.138]	24.54 [.978]	9	2-1825058-2
ADE08SB04	3.50 [.138]	22.30 [.878]	8	2-1825058-1
ADE08SA04	3.50 [.138]	22.30 [.878]	8	2-1825058-0
ADE08S04	3.50 [.138]	22.30 [.878]	8	1-1825058-9
<del>ADE07SB04</del>	3.50 [.138]	19.76 [.778]	7	1-1825058-8
<del>ADE07SA04</del>	3.50 [.138]	19.76 [.778]	7	1-1825058-7
<del>ADE07S04</del>	3.50 [.138]	19.76 [.778]	7	1-1825058-6
ADE06SB04	3.50 [.138]	17.22 [.678]	6	1-1825058-5
ADE06SA04	3.50 [.138]	17.22 [.678]	6	1-1825058-4
ADE06S04	3.50 [.138]	17.22 [.678]	6	1-1825058-3
<del>ADE05SB04</del>	3.50 [.138]	14.68 [.578]	5	1-1825058-2
<del>ADE05SA04</del>	3.50 [.138]	14.68 [.578]	5	1-1825058-1
<del>ADE05S04</del>	3.50 [.138]	14.68 [.578]	5	1-1825058-0
ADE04SB04	3.50 [.138]	12.14 [.478]	4	1825058-9
ADE04SA04	3.50 [.138]	12.14 [.478]	4	1825058-8
ADE04S04	3.50 [.138]	12.14 [.478]	4	1825058-7
<del>ADE03SB04</del>	3.50 [.138]	9.60 [.378]	3	1825058-6
<del>ADE03SA04</del>	3.50 [.138]	9.60 [.378]	3	1825058-5
<del>ADE03S04</del>	3.50 [.138]	9.60 [.378]	3	1825058-4
ADE02SB04	3.50 [.138]	7.06 [.278]	2	1825058-3
ADE02SA04	3.50 [.138]	7.06 [.278]	2	1825058-2
ADE02S04	3.50 [.138]	7.06 [.278]	2	1825058-1
T&B P/N	DIM H	DIM L	POSITION	PART NO.

THIS DRAWING IS A CONTROLLED DOCUMENT.

DWN: B.S.VISWESWARA 10FEB05  
 CHK: M.SARVER  
 APVD: M.SARVER  
 PRODUCT SPEC: -  
 APPLICATION SPEC: -  
 WEIGHT: -

**STE** TE Connectivity

DIP SWITCH, ADE-SMT SERIES

SIZE: A2 CAGE CODE: - DRAWING NO: C=1825058 RESTRICTED TO: -  
 SCALE: 4:1 SHEET: 2 OF 2 REV: R