

NOTES:

1. Ⓢ REPRESENTS A CRITICAL DIMENSION.
2. MINIMUM PUSHOUT FORCE: 1 LB[4.45N].
3. MAXIMUM ALLOWABLE BOW: .002[.05] INCH/INCH AFTER ASSEMBLY.
4. POST HEIGHT VARIATION BETWEEN ANY TWO PINS: .005[.13].
5. FOR ALL PINS: NO BAND MARKS ALLOWED IN POST AREA.
6. FOR LOCKING CLIPS: .75LB[3.336N] MIN RETENTION.
7. MEASURE AT BEND.
8. MAX PIN ROTATION IN BODY TO BE 2°.

DO NOT SCALE FROM THIS PRINT

SHF-1XX-01-X-D-XX-XX

No OF POSITIONS
-02 THRU -25

LEAD STYLE
-01:

Ⓢ

PLATING SPECIFICATION

- L: 10μ" LIGHT SELECTIVE IN CONTACT AREA, MATTE TIN ON TAIL
- F: 3μ" FLASH SELECTIVE GOLD IN CONTACT AREA, MATTE TIN ON TAIL
- S: 30μ" SELECTIVE GOLD IN CONTACT AREA, MATTE TIN ON TAIL

OPTION

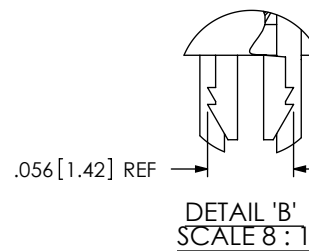
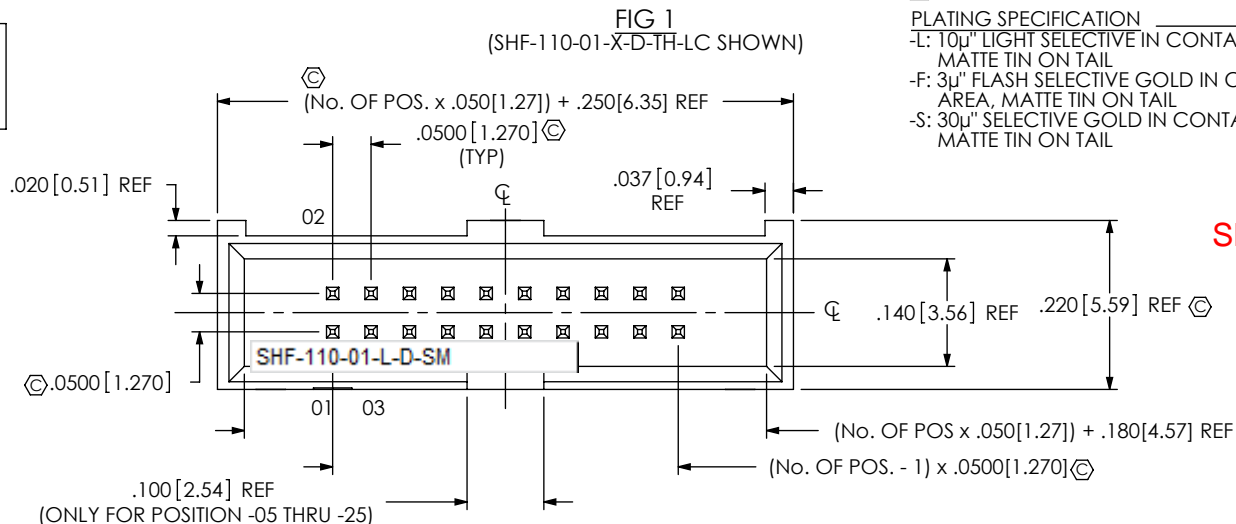
- LC: LOCKING CLIP (NOT AVAILABLE WITH -RA)
- K: POLYIMIDE FILM (-SM ONLY) (AVAILABLE IN TAPE & REEL ONLY)
- TR: TAPE & REEL

BODY HEIGHT

- TH: THROUGH HOLE (SEE FIG 1, SHT. 1)
- RA: RIGHT ANGLE (SEE FIG 2, SHT. 2)
- SM: SURFACE MOUNT (SEE FIG 3, SHT. 3)

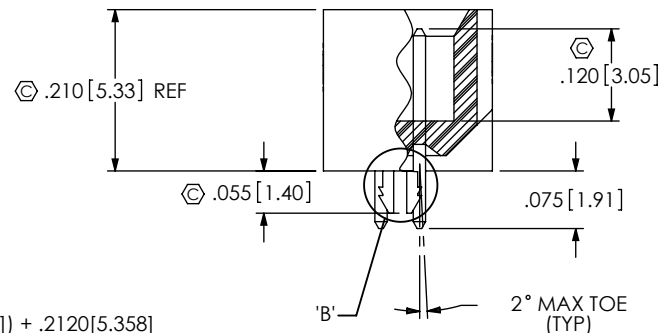
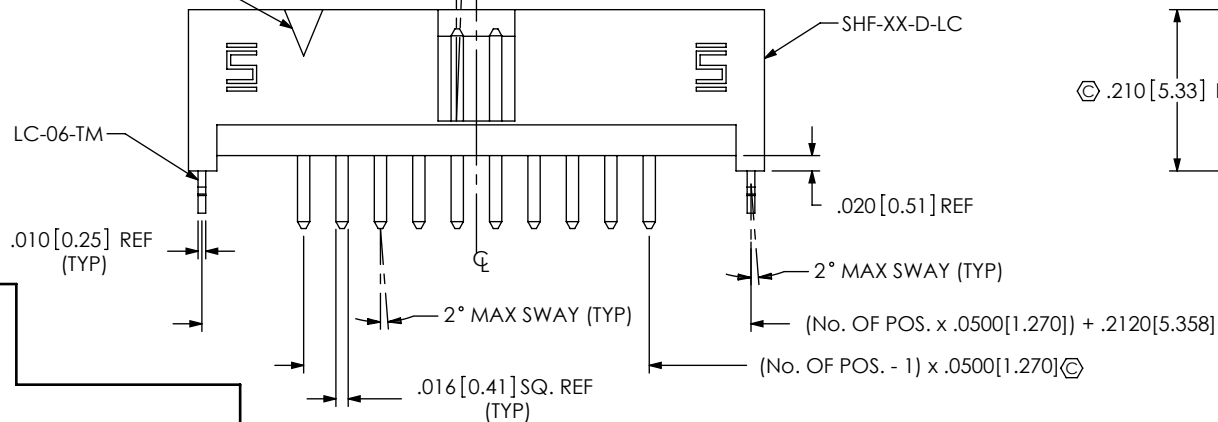
ROW SPECIFICATION
-D: DOUBLE

SHF-120-01-L-D-SM



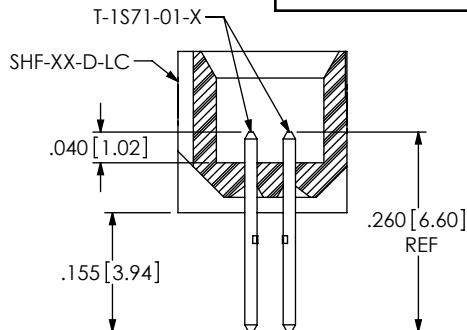
FIRST POSITION INDICATOR

2° MAX SWAY (TYP)



25-06086

IN-PROCESS 1 (FOR -TH ONLY)



UNLESS OTHERWISE SPECIFIED, DIMENSIONS ARE IN INCHES. TOLERANCES ARE:
DECIMALS ANGLES
.XX: ±.01 [0.3] 2°
.XXX: ±.005 [0.13]
.XXXX: ±.0020 [0.051]

PROPRIETARY NOTE
THIS DOCUMENT CONTAINS INFORMATION CONFIDENTIAL AND PROPRIETARY TO SAMTEC, INC. AND SHALL NOT BE REPRODUCED OR TRANSFERRED TO OTHER DOCUMENTS OR DISCLOSED TO OTHERS OR USED FOR ANY PURPOSE OTHER THAN THAT WHICH IT WAS OBTAINED WITHOUT THE EXPRESSED WRITTEN CONSENT OF SAMTEC, INC.

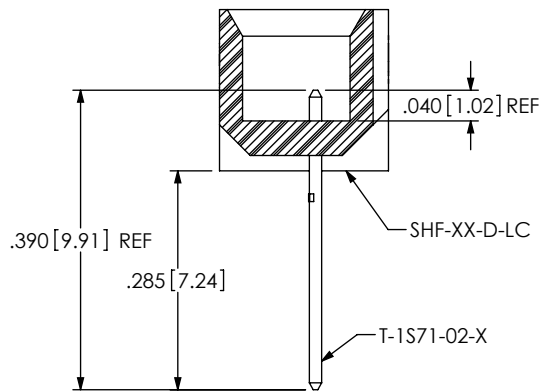
samtec
520 PARK EAST BLVD. NEW ALBANY, IN 47150
PHONE: 812-944-6733 FAX: 812-948-5047
e-Mail: info@SAMTEC.com code 55322

MATERIAL: DO NOT SCALE DRAWING SHEET SCALE: 4:1
INSULATOR: SUMIKA E6810LHF, UL 94 VO, COLOR: BLACK
TERMINAL: PHOS BRONZE

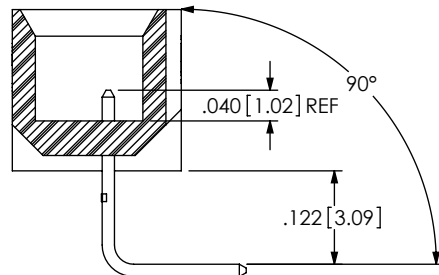
DESCRIPTION:
.050 x .050 SHROUDED TERMINAL STRIP

DWG. NO. SHF-1XX-01-X-D-XX-XX

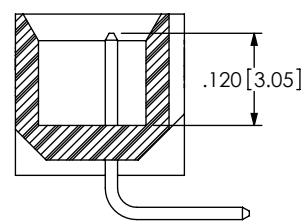
BY: T NEWTON 1/10/2008 SHEET 1 OF 4



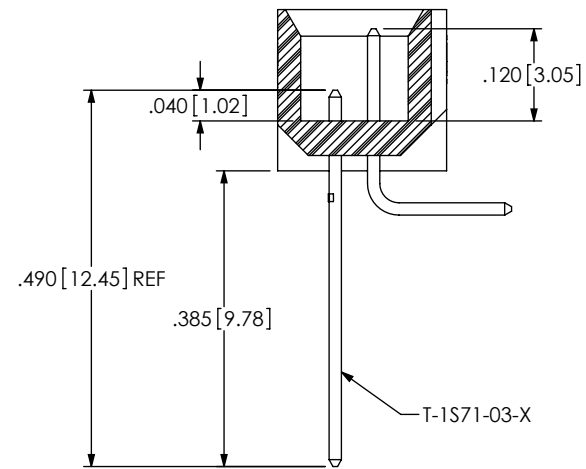
IN-PROCESS 1
(FOR -RA ONLY)



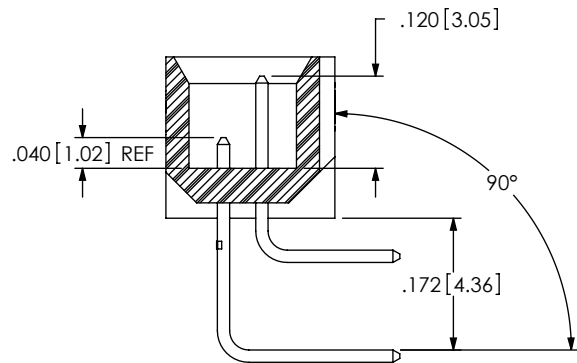
IN-PROCESS 2
(FOR -RA ONLY)



IN-PROCESS 3
(FOR -RA ONLY)

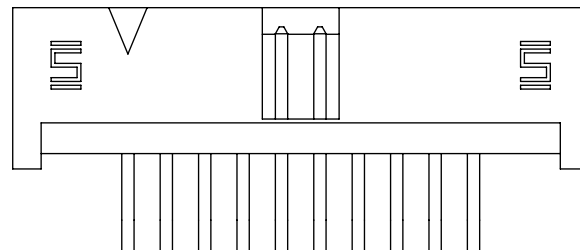
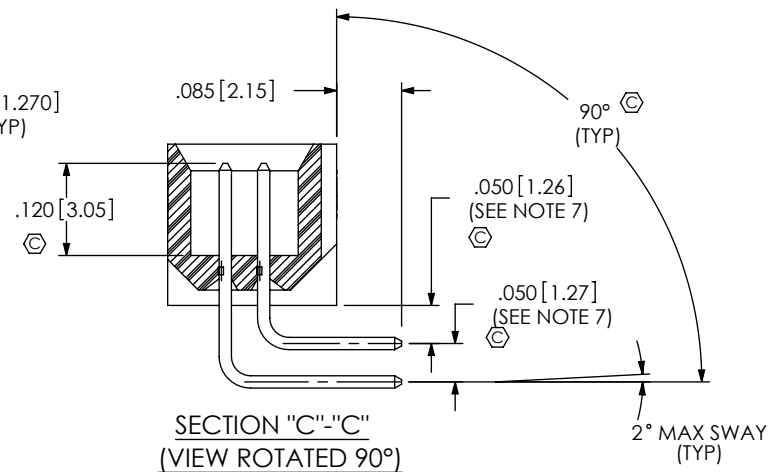
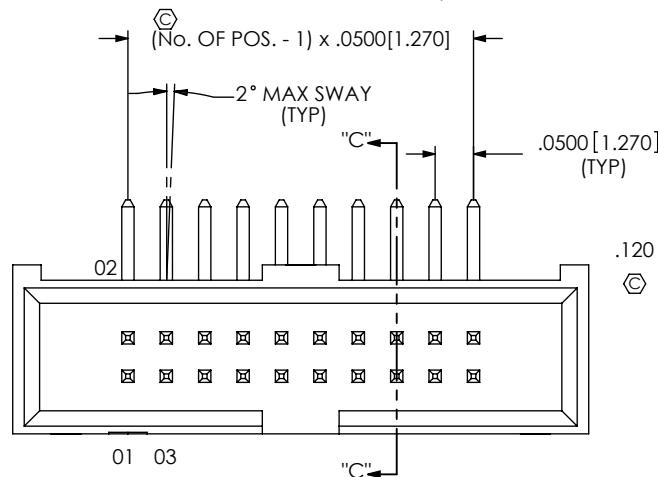


IN-PROCESS 4
(FOR -RA ONLY)



IN-PROCESS 5
(FOR -RA ONLY)

FIG 2
(SHF-110-01-X-D-RA SHOWN)
(SAME AS FIG 1, DIFFERENT AS SHOWN)



F:\DWG\MISC\MKTG\SHF-1XX-01-X-D-XX-XX-MKT.SLDDRW

PROPRIETARY NOTE

THIS DOCUMENT CONTAINS INFORMATION CONFIDENTIAL AND PROPRIETARY TO SAMTEC, INC. AND SHALL NOT BE REPRODUCED OR TRANSFERRED TO OTHER DOCUMENTS OR DISCLOSED TO OTHERS OR USED FOR ANY PURPOSE OTHER THAN THAT WHICH IT WAS OBTAINED WITHOUT THE EXPRESSED WRITTEN CONSENT OF SAMTEC, INC.

DO NOT SCALE DRAWING

SHEET SCALE: 4:1



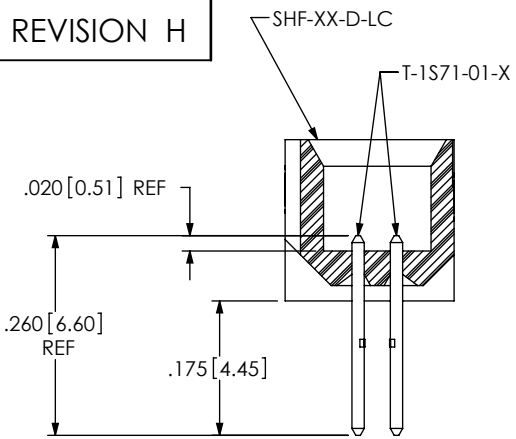
520 PARK EAST BLVD. NEW ALBANY, IN 47150
PHONE: 812-944-6733 FAX: 812-948-5047
e-Mail: info@SAMTEC.com code 55322

DESCRIPTION:
.050 x .050 SHROUDED TERMINAL STRIP

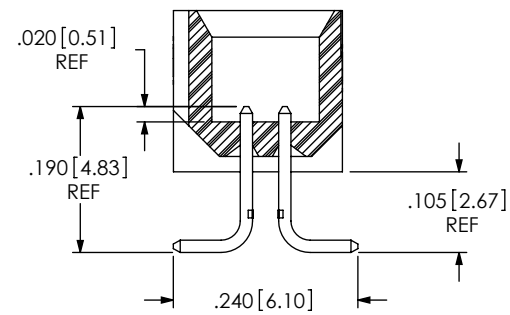
DWG. NO.
SHF-1XX-01-X-D-XX-XX

BY: T NEWTON 1/10/2008 SHEET 2 OF 4

REVISION H

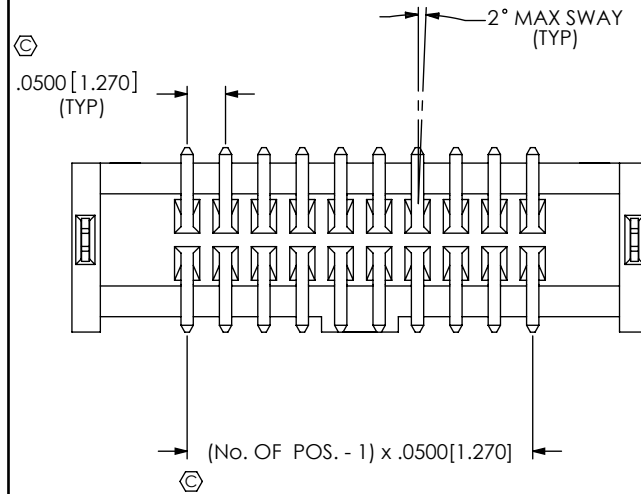
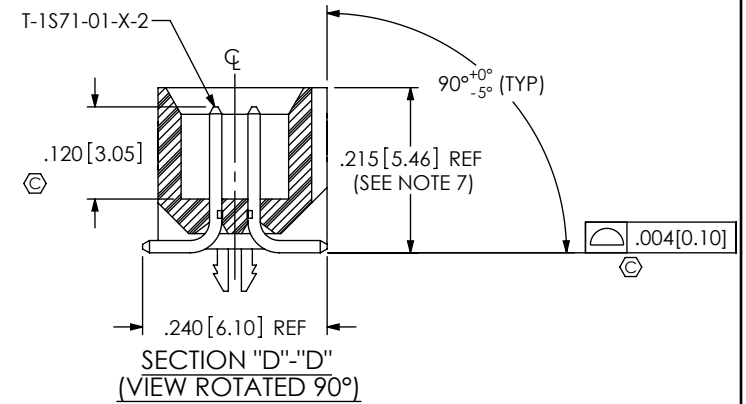
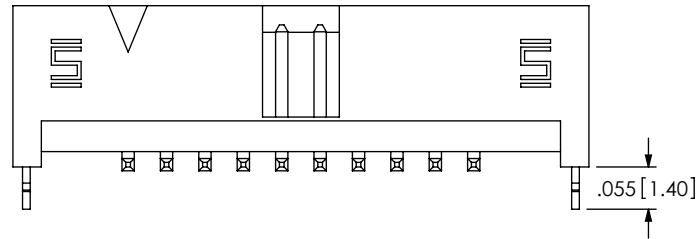
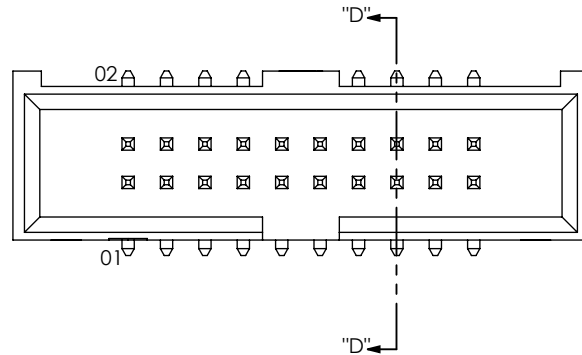


IN-PROCESS 1
(FOR -SM ONLY)



IN-PROCESS 2
(FOR -SM ONLY)

FIG 3
(SHF-110-01-X-D-SM-LC SHOWN)
(SAME AS FIG 1, DIFFERENT AS SHOWN)



PROPRIETARY NOTE
THIS DOCUMENT CONTAINS INFORMATION
CONFIDENTIAL AND PROPRIETARY TO
SAMTEC, INC. AND SHALL NOT BE REPRODUCED
OR TRANSFERRED TO OTHER DOCUMENTS OR
DISCLOSED TO OTHERS OR USED FOR ANY
PURPOSE OTHER THAN THAT WHICH IT WAS
OBTAINED WITHOUT THE EXPRESSED WRITTEN
CONSENT OF SAMTEC, INC.

DO NOT SCALE DRAWING
SHEET SCALE: 4:1

samtec

520 PARK EAST BLVD, NEW ALBANY, IN 47150
PHONE: 812-944-6733 FAX: 812-948-5047
e-Mail: info@SAMTEC.com code 55322

DESCRIPTION:
.050 x .050 SHROUDED TERMINAL STRIP

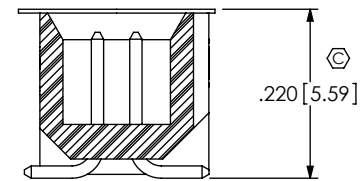
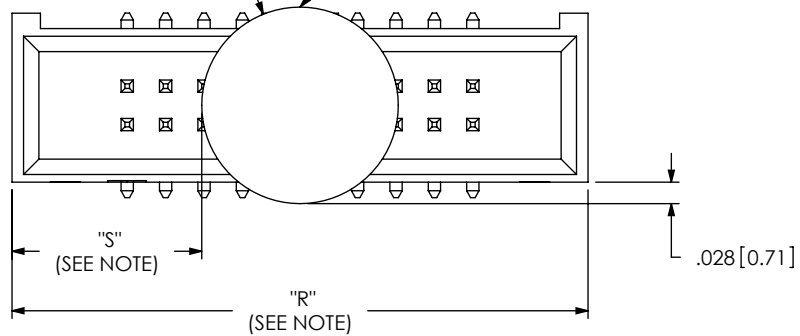
DWG. NO.
SHF-1XX-01-X-D-XX-XX

BY: T NEWTON 1/10/2008 SHEET 3 OF 4

⊕ $\phi .256 \pm .005 [6.50 \pm 0.13]$

K-500-300

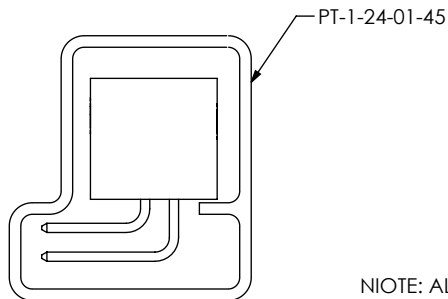
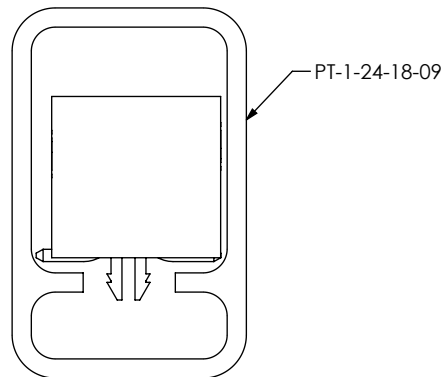
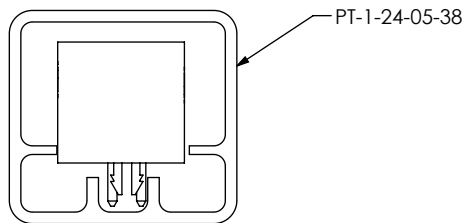
FIG 4
(SHF-110-01-X-D-SM-K SHOWN)
(SAME AS FIG 1, DIFFERENT AS SHOWN)



(VIEW ROTATED 90°)

NOTE: "R" = USED MEASURED DIMENSION (REF)
"S" = $\{("R" - .256 [6.50]) / 2\} \pm 0.020 [0.51]$

PACKAGING
ALL PARTS ARE LOADED WITH POSITION 1
TOWARD THE ARROW



NOTE: ALL POSITIONS ARE TO BE TUBED

TABLE 1		
OPTIONS	PACKAGING TUBE	PLUG
-TH, -TH-LC	PT-1-24-05-38	TP-03
-SM-LC	PT-1-24-18-09	TP-03
-RA	PT-1-24-01-45	TP-07
-SM	PT-1-24-18-09	TP-03

PROPRIETARY NOTE
THIS DOCUMENT CONTAINS INFORMATION
CONFIDENTIAL AND PROPRIETARY TO
SAMTEC, INC. AND SHALL NOT BE REPRODUCED
OR TRANSFERRED TO OTHER DOCUMENTS OR
DISCLOSED TO OTHERS OR USED FOR ANY
PURPOSE OTHER THAN THAT WHICH IT WAS
OBTAINED WITHOUT THE EXPRESSED WRITTEN
CONSENT OF SAMTEC, INC.

DO NOT SCALE DRAWING
SHEET SCALE: 4:1



520 PARK EAST BLVD, NEW ALBANY, IN 47150
PHONE: 812-944-6733 FAX: 812-948-5047
e-Mail info@SAMTEC.com code 55322

DESCRIPTION:
.050 x .050 SHROUDED TERMINAL STRIP
DWG. NO. SHF-1XX-01-X-D-XX-XX

BY: T NEWTON 1/10/2008 SHEET 4 OF 4