

THIS DRAWING IS UNPUBLISHED.

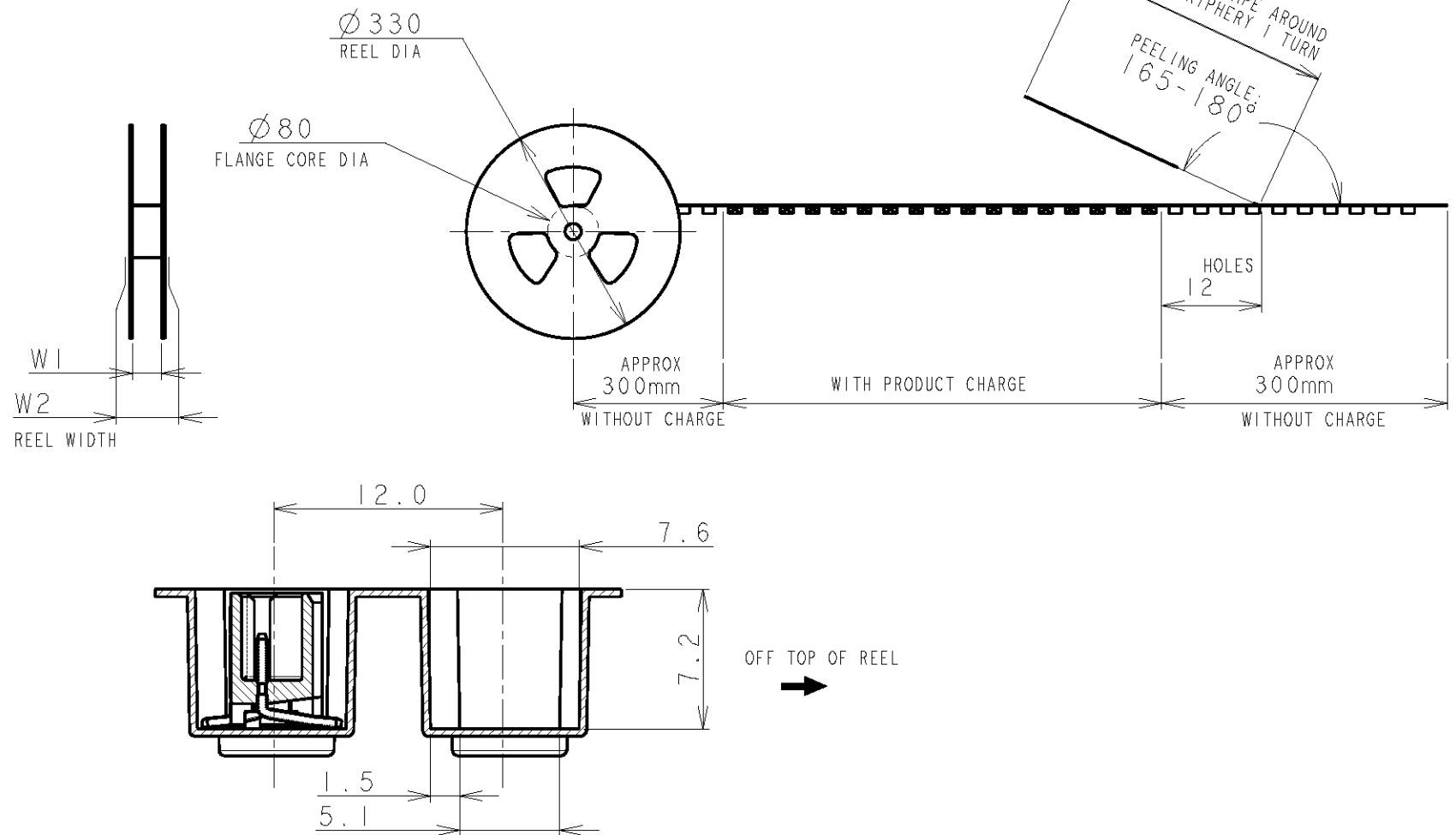
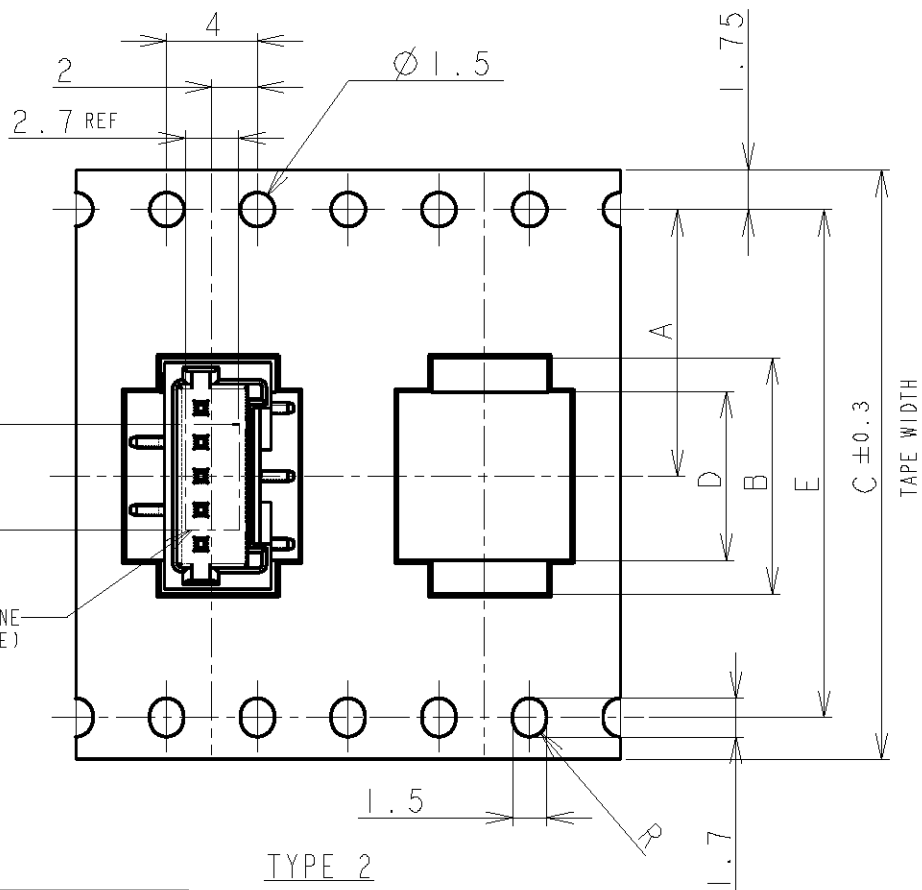
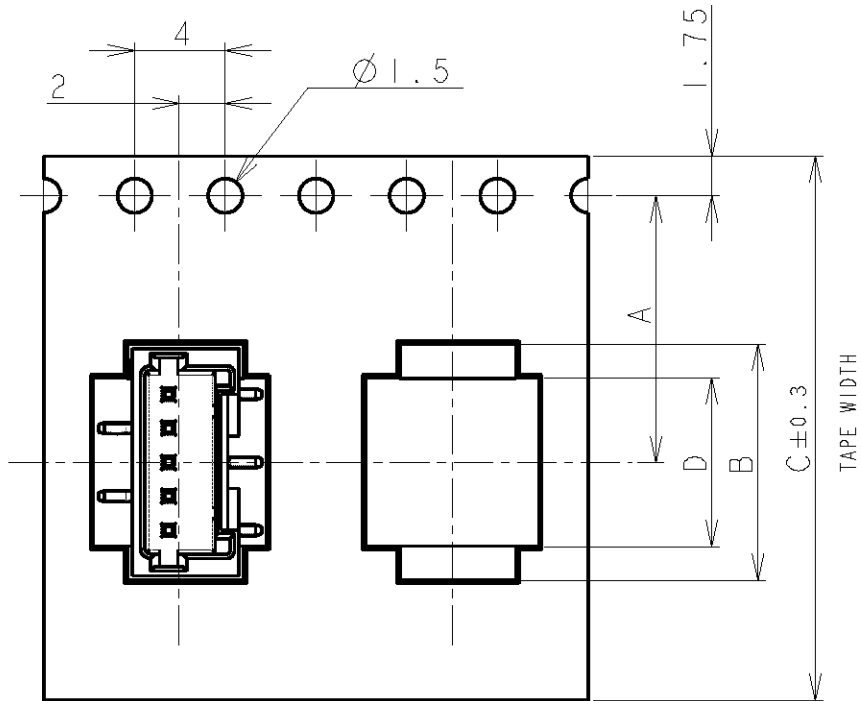
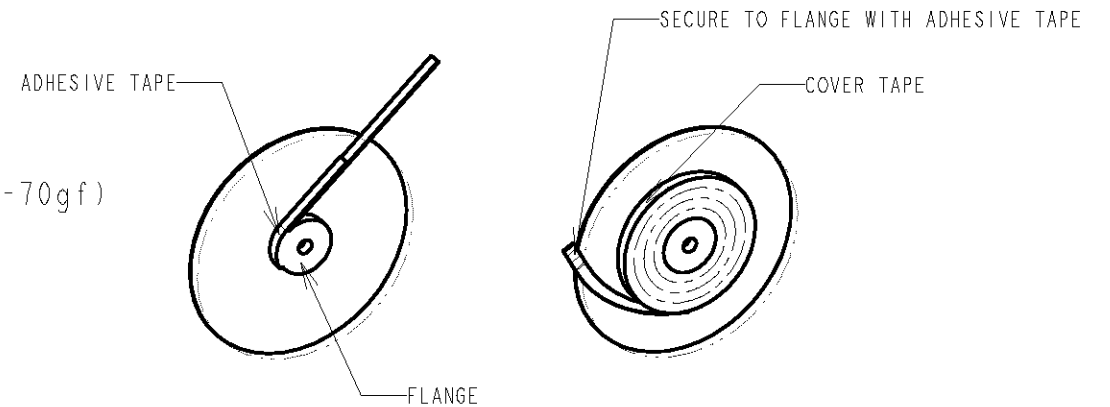
RELEASED FOR PUBLICATION

© COPYRIGHT BY ALL RIGHTS RESERVED.

LOC	DIST	REVISIONS			
P	LTR	DESCRIPTION	DATE	DWN	APVD
FB	00	B1	REVISED PER ECO-11-005033	2APR11	RK HMR

# 25-05982

NOTE:  
 1. PEELING STRENGTH: 0.20-0.69N (20-70gf)  
 PEELING ANGLE: 165-180°  
 PEELING SPEED: 300mm/MINUTE.



TOLERANCES UNLESS OTHERWISE SPECIFIED:

- 10 > : ±0.2
- 30 > \* > 10 : ±0.25
- 100 > \* > 30 : ±0.3
- ANGLE : ±3°

DIMENSIONS: mm	TOLERANCES UNLESS OTHERWISE SPECIFIED: 0 PLC ± 1 PLC ± 2 PLC ± SEE L.H.S. 3 PLC ± 4 PLC ± ANGLES ±	DWN S.XU 31JAN03	<b>STE</b> TE Connectivity	
		CHK S.YAO 31JAN03		
MATERIAL	FINISH	APVD T.SASAKI 31JAN03	NAME AMP Mini Common Terminated (CT) Connector 1.5mm PITCH SINGLE ROW POST HDR ASS'Y (V) SMT TYPE WITH BOSS, EMBOSS TAPE PACKAGED	
		PRODUCT SPEC 108-60018	SIZE A3	CAGE CODE 00779
CUSTOMER DRAWING		APPLICATION SPEC 114-5223	RESTRICTED TO	SCALE NON
		WEIGHT	SHEET 1	OF 4
			REV B1	

THIS DRAWING IS UNPUBLISHED. ALL RIGHTS RESERVED.

LOC	DIST	REVISIONS						
FB	00	P	LTR	DESCRIPTION	DATE	DWN	APVD	
				SEE SHEET 1				

TAPE TYPE	TYPE 2	W2	W1	F	E	D	C	B	A	QTY/REEL	POS	COLOR	ON TAPE P/N
		DIMENSIONS											
	TYPE 2	49.5	45.5	6.2	40.4	29.9	44	32.9	20.2±0.15	500	20	BLACK	7-292230-0
		49.5	45.5	4.7	40.4	28.4	44	31.4	500	19	6-292230-9		
		49.5	45.5	6.2	40.4	26.9	44	29.9	500	18	6-292230-8		
		49.5	45.5	4.7	40.4	25.4	44	28.4	500	17	6-292230-7		
		49.5	45.5	6.2	40.4	23.9	44	26.9	500	16	6-292230-6		
		49.5	45.5	4.7	40.4	22.4	44	25.4	500	15	6-292230-5		
		49.5	45.5	6.2	40.4	20.9	44	23.9	500	14	6-292230-4		
		49.5	45.5	4.7	40.4	19.4	44	22.4	500	13	6-292230-3		
		37.5	33.5	6.2	28.4	17.9	32	20.9	14.2	500	12		6-292230-2
		37.5	33.5	4.7	28.4	16.4	32	19.4	14.2	500	11		6-292230-1
	37.5	33.5	6.2	28.4	14.9	32	17.9	14.2	500	10	6-292230-0		
	37.5	33.5	4.7	28.4	13.4	32	16.4	14.2	500	9	5-292230-9		
	TYPE 1	29.5	25.5	6.2	-	11.9	24	14.9	11.5	500	8	5-292230-8	
		29.5	25.5	4.7	-	10.4	24	13.4	11.5	500	7	5-292230-7	
		29.5	25.5	6.2	-	8.9	24	11.9	11.5	500	6	5-292230-6	
		29.5	25.5	4.7	-	7.4	24	10.4	11.5	500	5	5-292230-5	
		21.5	17.5	6.2	-	5.9	16	8.9	7.5	500	4	5-292230-4	
		21.5	17.5	4.7	-	4.4	16	7.4	7.5	500	3	5-292230-3	
		21.5	17.5	2.8	-	2.9	16	5.9	7.5	500	2	-	

TAPE TYPE	TYPE 2	W2	W1	F	E	D	C	B	A	QTY/REEL	POS	COLOR	ON TAPE P/N
		DIMENSIONS											
	TYPE 2	49.5	45.5	6.2	40.4	29.9	44	32.9	20.2±0.15	500	20	BEIGE	2-292230-0
		49.5	45.5	4.7	40.4	28.4	44	31.4	500	19	1-292230-9		
		49.5	45.5	6.2	40.4	26.9	44	29.9	500	18	1-292230-8		
		49.5	45.5	4.7	40.4	25.4	44	28.4	500	17	1-292230-7		
		49.5	45.5	6.2	40.4	23.9	44	26.9	500	16	1-292230-6		
		49.5	45.5	4.7	40.4	22.4	44	25.4	500	15	1-292230-5		
		49.5	45.5	6.2	40.4	20.9	44	23.9	500	14	1-292230-4		
		49.5	45.5	4.7	40.4	19.4	44	22.4	500	13	1-292230-3		
		37.5	33.5	6.2	28.4	17.9	32	20.9	14.2	500	12		1-292230-2
		37.5	33.5	4.7	28.4	16.4	32	19.4	14.2	500	11		1-292230-1
	37.5	33.5	6.2	28.4	14.9	32	17.9	14.2	500	10	1-292230-0		
	37.5	33.5	4.7	28.4	13.4	32	16.4	14.2	500	9	292230-9		
	TYPE 1	29.5	25.5	6.2	-	11.9	24	14.9	11.5	500	8	292230-8	
		29.5	25.5	4.7	-	10.4	24	13.4	11.5	500	7	292230-7	
		29.5	25.5	6.2	-	8.9	24	11.9	11.5	500	6	292230-6	
		29.5	25.5	4.7	-	7.4	24	10.4	11.5	500	5	292230-5	
		21.5	17.5	6.2	-	5.9	16	8.9	7.5	500	4	292230-4	
		21.5	17.5	4.7	-	4.4	16	7.4	7.5	500	3	292230-3	
		21.5	17.5	2.8	-	2.9	16	5.9	7.5	500	2	-	

DIMENSIONS: mm

TOLERANCES UNLESS OTHERWISE SPECIFIED:

0 PLC	±
1 PLC	±0.1
2 PLC	±0.01
3 PLC	±0.001
4 PLC	±0.0001
ANGLES	±

DWN

CHK

APVD

PRODUCT SPEC  
SEE SHEET 1 OF 4

APPLICATION SPEC  
SEE SHEET 1 OF 4

WEIGHT

CUSTOMER DRAWING

MATERIAL

FINISH

**STE** TE Connectivity

NAME AMP Mini Common Terminated (CT) Connector 1.5mm PITCH  
SINGLE ROW POST HDR ASS'Y (V)  
SMT TYPE WITH BOSS, EMBOSS TAPE PACKAGED

SIZE A4 CAGE CODE 00779 DRAWING NO G-292230 RESTRICTED TO -

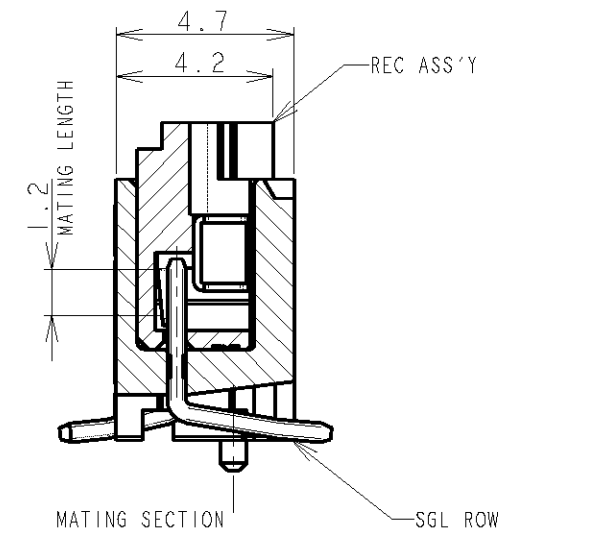
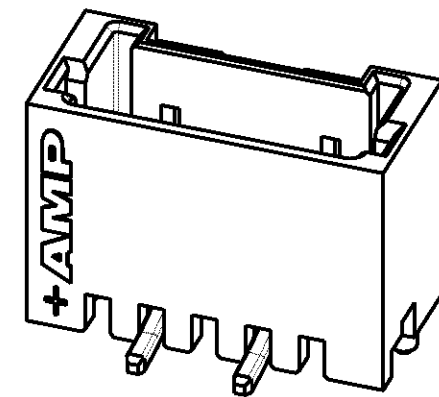
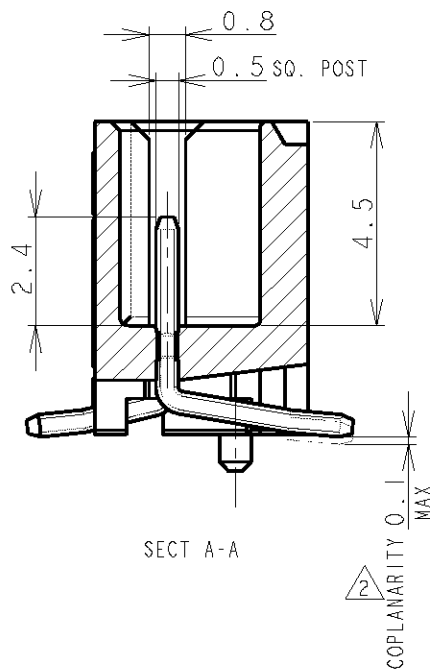
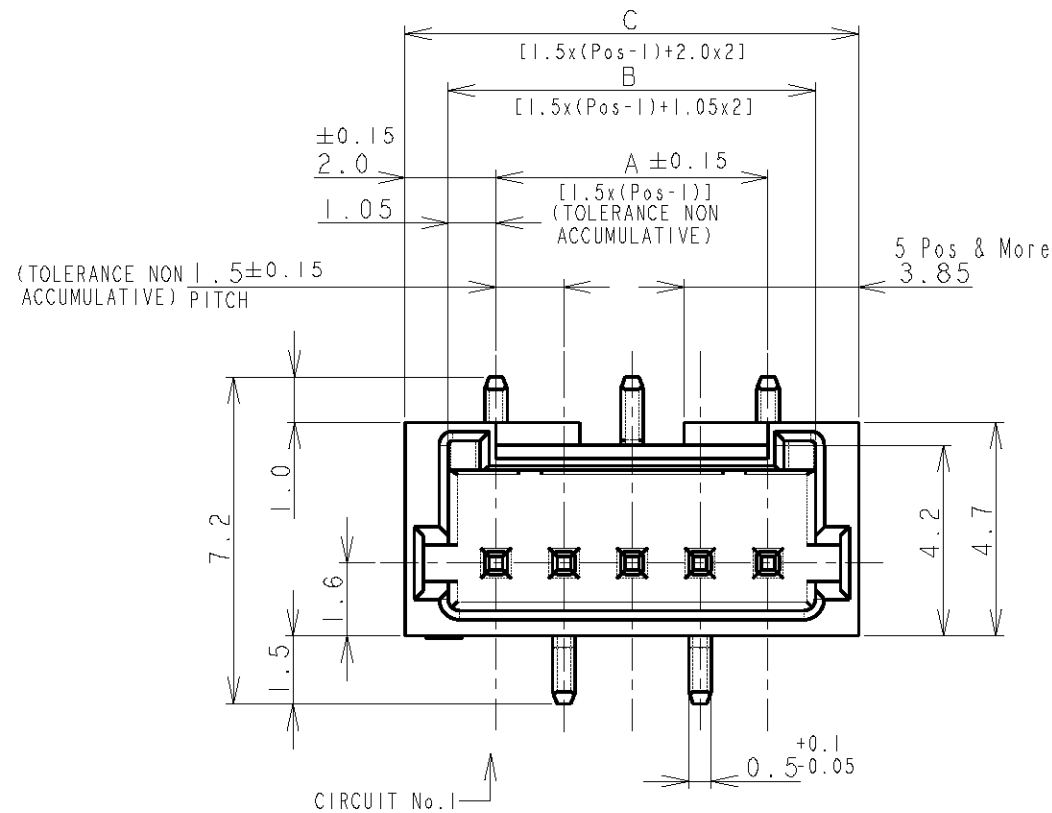
SCALE NON SHEET 2 OF 4 REV B1

THIS DRAWING IS UNPUBLISHED.

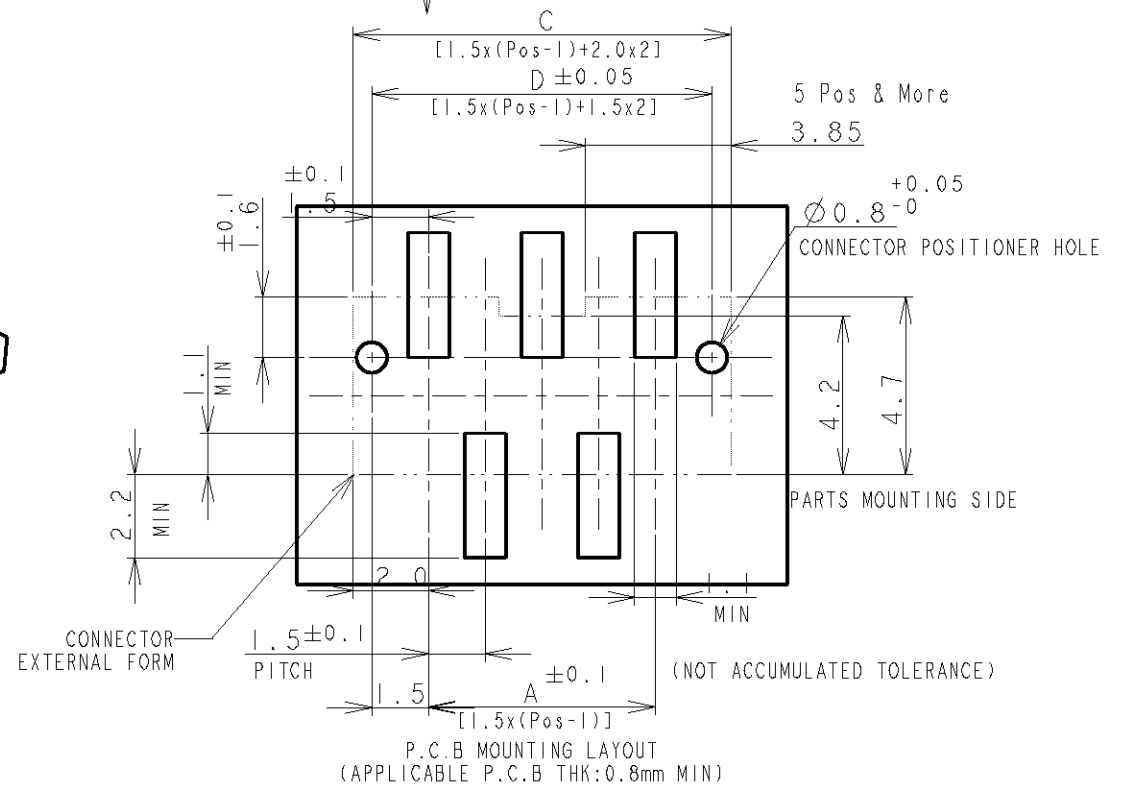
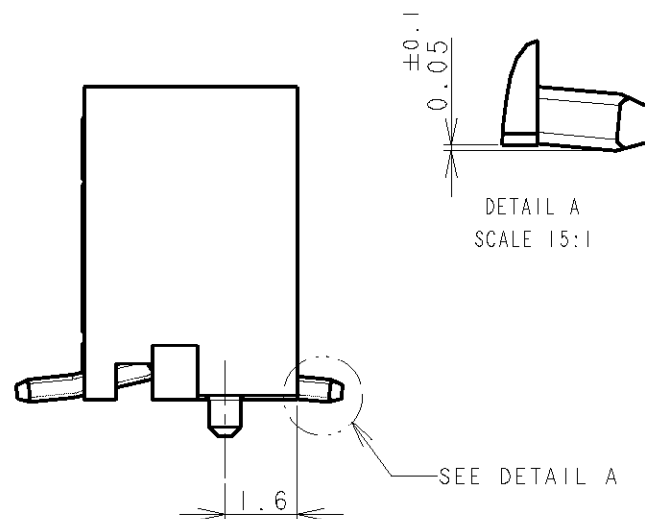
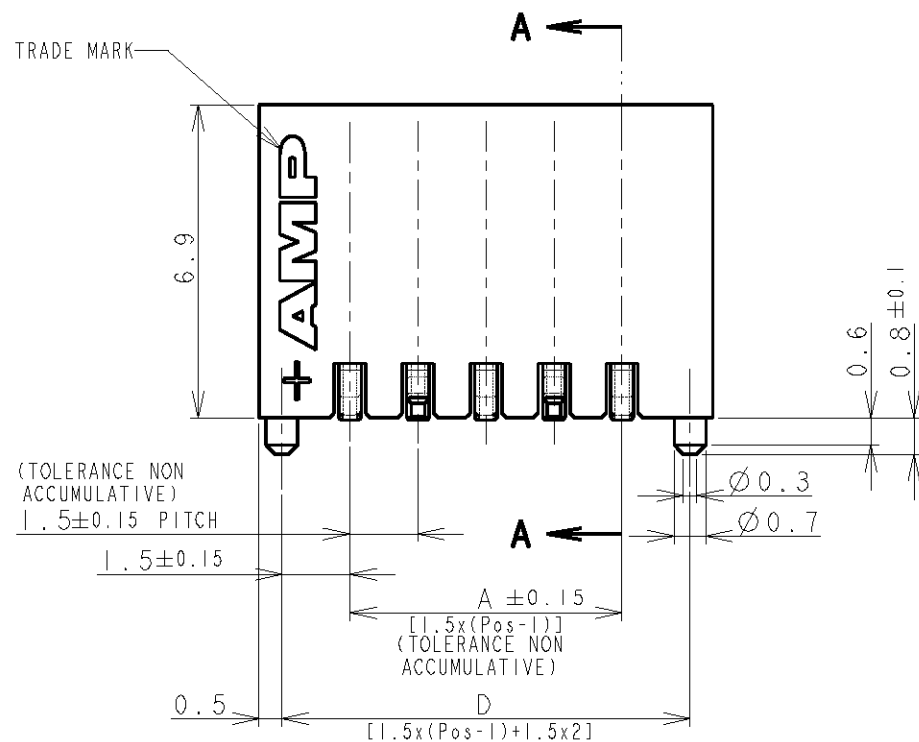
RELEASED FOR PUBLICATION

© COPYRIGHT BY ALL RIGHTS RESERVED.

LOC	DIST	REVISIONS			
P	LTR	DESCRIPTION	DATE	DWN	APVD
FB	00	SEE SHEET 1			



CIRCUIT No. 1



NOTES:  
 1. MATERIAL:  
 HOUSING: GLASS FILLED, HIGH HEAT RESISTANT NYLON, UL94V-0, COLOR: BEIGE OR BLACK  
 POST: Sn-100% BRASS WIRE  
 TO BE MEASURED WITH CONNECTOR PLACED ON HORIZONTAL DATUM SURFACE, FLOAT OF SOLDER TINE FROM DATUM SURFACE IS 0.1mm MAX.

DWN		<b>STE</b> TE Connectivity	
CHK			
APVD		NAME	
PRODUCT SPEC		AMP MINI COMMON TERMINATION (CT) CONNECTOR 1.5 mm PITCH SINGLE ROW POST HDR ASS'Y (V) SMT TYPE WITH BOSS	
APPLICATION SPEC		RESTRICTED TO	
WEIGHT		SIZE	CAGE CODE
MATERIAL		DRAWING NO	
SEE NOTE 1		A3 00779 C-292230	
FINISH		CUSTOMER DRAWING	
SEE NOTE 1		SCALE	SHEET
		NON	3 OF 4
			REV B1

LOC	DIST	REVISIONS					
FB	00	P	LTR	DESCRIPTION	DATE	DWN	APVD
		-		SEE SHEET 1	-	-	-

0.98	31.5	32.5	30.6	28.5	20	7-292230-0	2-292230-0
0.93	30.0	31.0	29.1	27.0	19	6-292230-9	1-292230-9
0.89	28.5	29.5	27.6	25.5	18	6-292230-8	1-292230-8
0.84	27.0	28.0	26.1	24.0	17	6-292230-7	1-292230-7
0.80	25.5	26.5	24.6	22.5	16	6-292230-6	1-292230-6
0.75	24.0	25.0	23.1	21.0	15	6-292230-5	1-292230-5
0.71	22.5	23.5	21.6	19.5	14	6-292230-4	1-292230-4
0.66	21.0	22.0	20.1	18.0	13	6-292230-3	1-292230-3
0.62	19.5	20.5	18.6	16.5	12	6-292230-2	1-292230-2
0.57	18.0	19.0	17.1	15.0	11	6-292230-1	1-292230-1
0.52	16.5	17.5	15.6	13.5	10	6-292230-0	1-292230-0
0.48	15.0	16.0	14.1	12.0	9	5-292230-9	292230-9
0.43	13.5	14.5	12.6	10.5	8	5-292230-8	292230-8
0.39	12.0	13.0	11.1	9.0	7	5-292230-7	292230-7
0.34	10.5	11.5	9.6	7.5	6	5-292230-6	292230-6
0.30	9.0	10.0	8.1	6.0	5	5-292230-5	292230-5
0.25	7.5	8.5	6.6	4.5	4	5-292230-4	292230-4
0.20	6.0	7.0	5.1	3.0	3	5-292230-3	292230-3
0.17	4.5	5.5	3.6	1.5	2	-	-
WEIGHT (g)	D	C	B	A	Pos.	BLACK	BEIGE (NAT)
	DIMENSIONS					P/N	

THIS DRAWING IS UNPUBLISHED. ALL RIGHTS RESERVED.

COPYRIGHT BY

DIMENSIONS: mm		DWN	MATERIAL	FINISH	
TOLERANCES UNLESS OTHERWISE SPECIFIED:		CHK	SEE SHEET 1		SEE SHEET 1
0 PLC ±		APVD	<b>STE</b> TE Connectivity		
1 PLC ±		PRODUCT SPEC			
2 PLC ±		APPLICATION SPEC	NAME		
3 PLC ±		WEIGHT	AMP MINI COMMON TERMINATED (CT) CONNECTOR 1.5 mm PITCH		
4 PLC ±			SINGLE ROW POST HDR ASS'Y (V) SMT TYPE WITH BOSS		
ANGLES ±			SIZE	CAGE CODE	DRAWING NO
			A4	00779	292230
CUSTOMER DRAWING			RESTRICTED TO	SCALE	SHEET
				NON	4 OF 4
				REV	B1