

THIS DRAWING IS UNPUBLISHED.

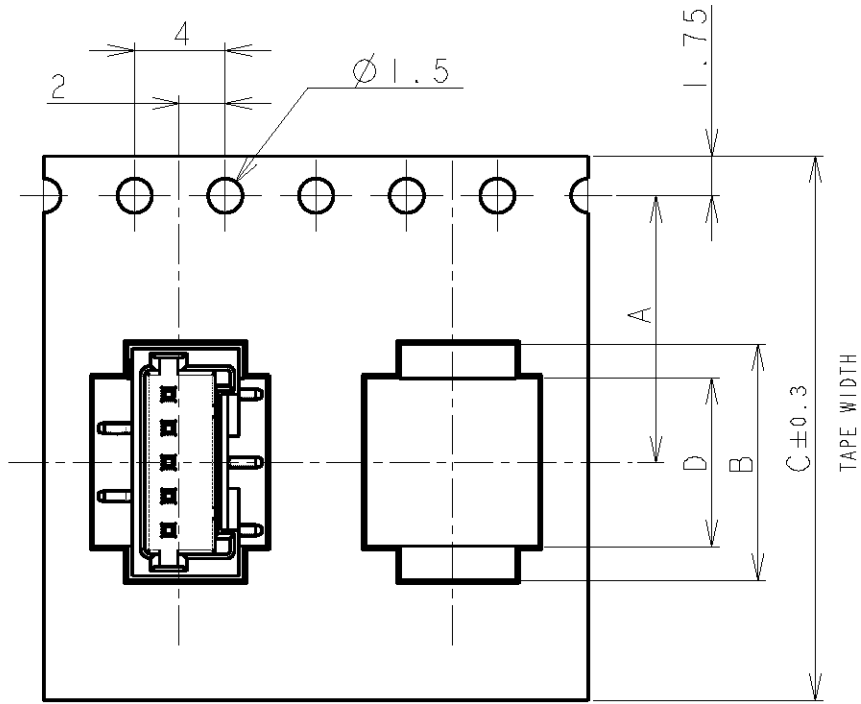
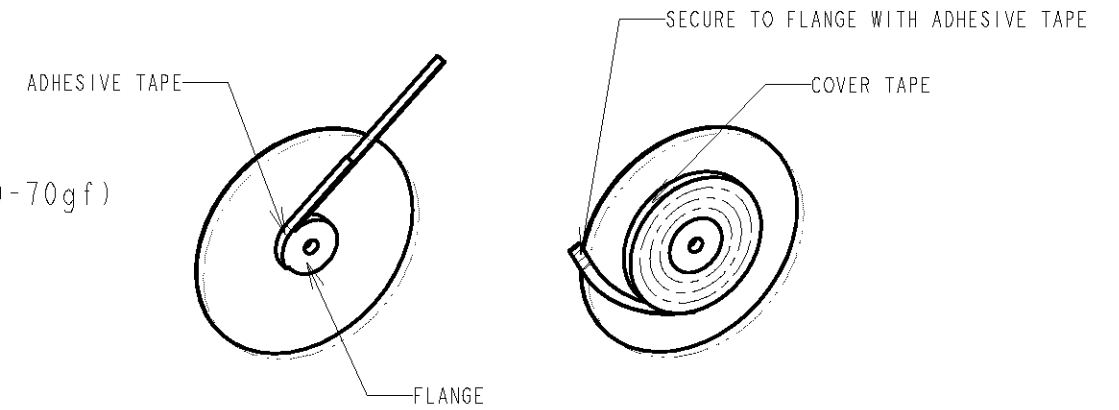
RELEASED FOR PUBLICATION

© COPYRIGHT BY ALL RIGHTS RESERVED.

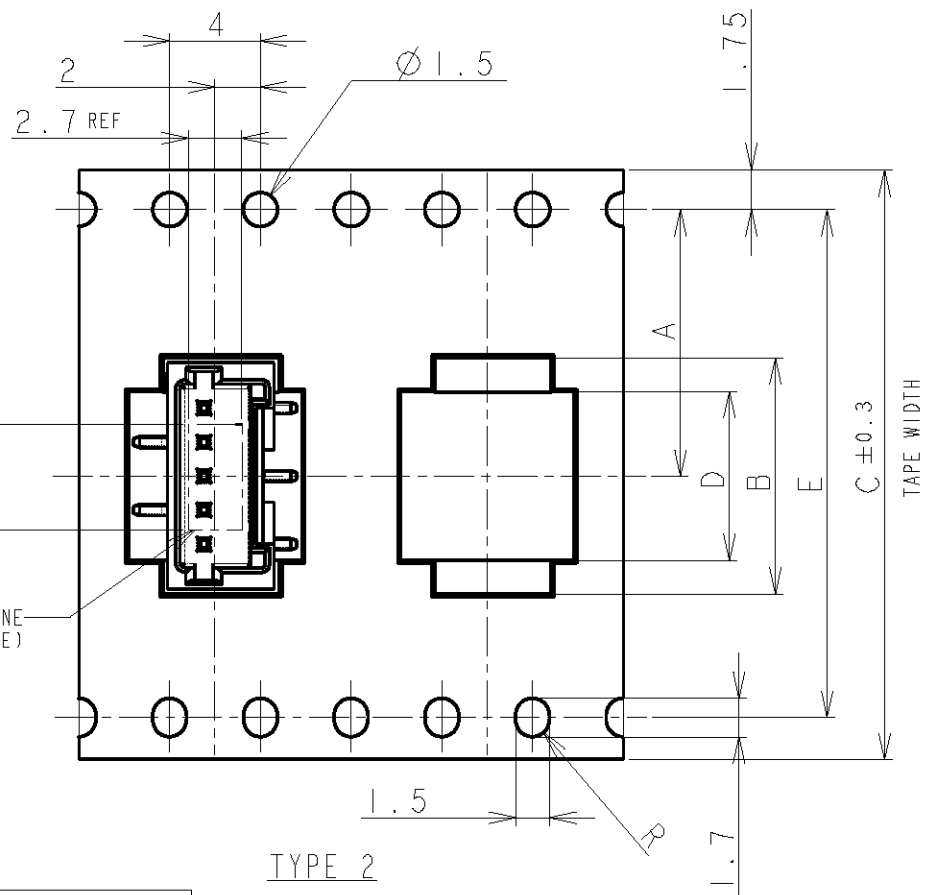
LOC	DIST	REVISIONS				
P	LTR	DESCRIPTION	DATE	DWN	APVD	
FB	00	B1	REVISED PER ECO-11-005033	2APR11	RK	HMR

25-05979

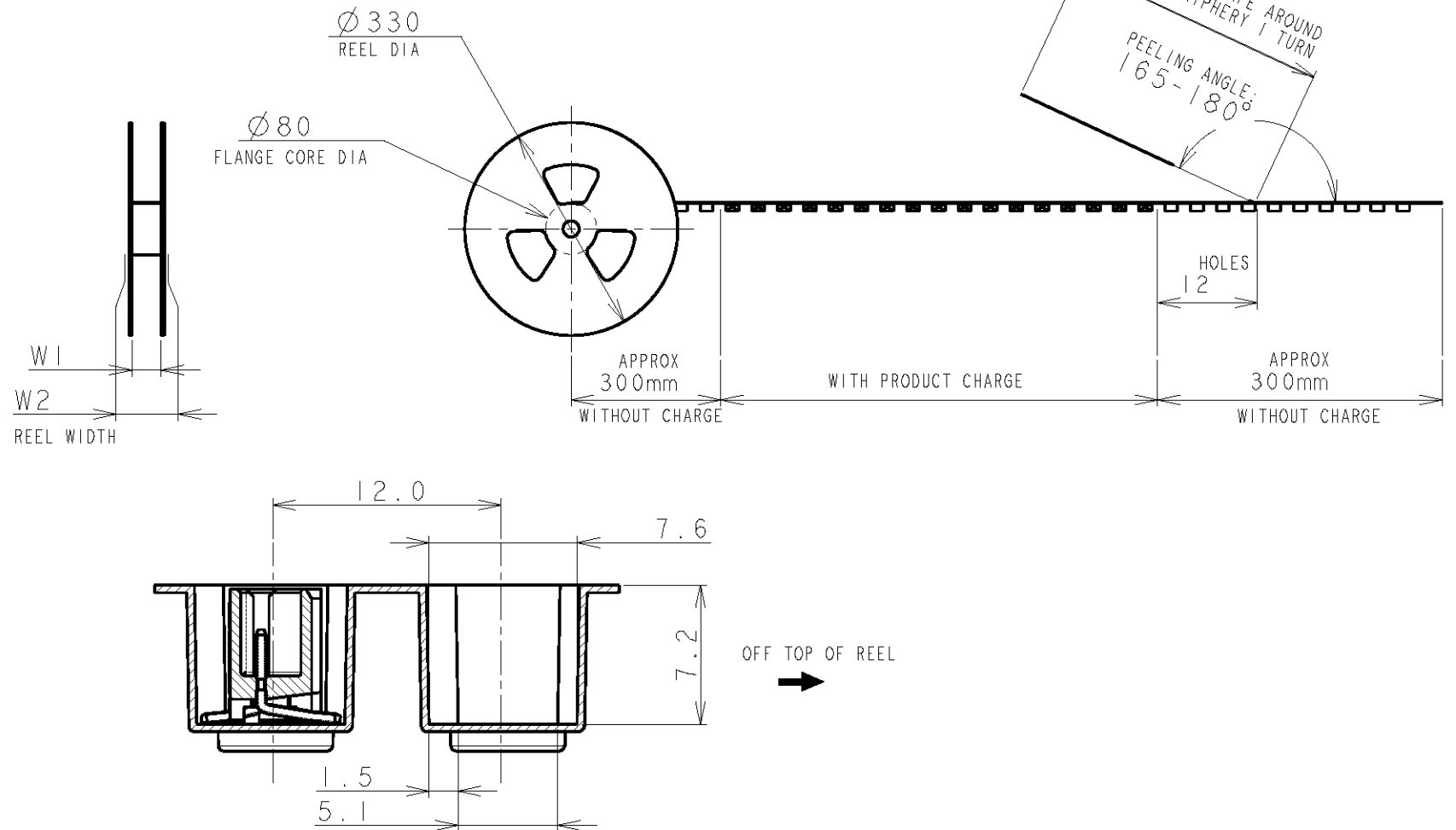
NOTE:
 1. PEELING STRENGTH: 0.20-0.69N (20-70gf)
 PEELING ANGLE: 165-180°
 PEELING SPEED: 300mm/MINUTE.



TYPE 1



TYPE 2



VACUUM NOZZLE OUTLINE (FOR REFERENCE)

TOLERANCES UNLESS OTHERWISE SPECIFIED:

- 10 > : ±0.2
- 30 > * > 10 : ±0.25
- 100 > * > 30 : ±0.3
- ANGLE : ±3°

DIMENSIONS: mm	TOLERANCES UNLESS OTHERWISE SPECIFIED: 0 PLC ± 1 PLC ± 2 PLC ± SEE L.H.S. 3 PLC ± 4 PLC ± ANGLES ±	DWN	S. XU	31JAN03	STE TE Connectivity	
		CHK	S. YAO	31JAN03		
MATERIAL	FINISH	APVD	T. SASAKI	31JAN03	NAME	
		PRODUCT SPEC	108-60018			AMP Mini Common Terminated (CT) Connector 1.5mm PITCH SINGLE ROW POST HDR ASS'Y (V) SMT TYPE WITH BOSS, EMBOSS TAPE PACKAGED
		APPLICATION SPEC	114-5223			SIZE
		WEIGHT	A3			CAGE CODE
		CUSTOMER DRAWING	NON			DRAWING NO
		SCALE	NON			RESTRICTED TO
		SHEET	1			REV
		OF	4			B1

THIS DRAWING IS UNPUBLISHED.

ALL RIGHTS RESERVED.

LOC	DIST	REVISIONS						
FB	00	P	LTR	DESCRIPTION	DATE	DWN	APVD	
				SEE SHEET 1				

TAPE TYPE	TYPE 2	W2	W1	F	E	D	C	B	A	QTY/ REEL	POS	COLOR	ON TAPE P/N
		DIMENSIONS											
		49.5	45.5	6.2	40.4	29.9	44	32.9	20.2±0.15	500	20	BLACK	7-292230-0
		49.5	45.5	4.7	40.4	28.4	44	31.4	500	19	6-292230-9		
		49.5	45.5	6.2	40.4	26.9	44	29.9	500	18	6-292230-8		
		49.5	45.5	4.7	40.4	25.4	44	28.4	500	17	6-292230-7		
		49.5	45.5	6.2	40.4	23.9	44	26.9	500	16	6-292230-6		
		49.5	45.5	4.7	40.4	22.4	44	25.4	500	15	6-292230-5		
		49.5	45.5	6.2	40.4	20.9	44	23.9	500	14	6-292230-4		
		49.5	45.5	4.7	40.4	19.4	44	22.4	500	13	6-292230-3		
		37.5	33.5	6.2	28.4	17.9	32	20.9	14.2	500	12		6-292230-2
		37.5	33.5	4.7	28.4	16.4	32	19.4	14.2	500	11		6-292230-1
		37.5	33.5	6.2	28.4	14.9	32	17.9	14.2	500	10		6-292230-0
		37.5	33.5	4.7	28.4	13.4	32	16.4	14.2	500	9		5-292230-9
	TYPE 1	29.5	25.5	6.2	-	11.9	24	14.9	11.5	500	8		5-292230-8
		29.5	25.5	4.7	-	10.4	24	13.4	11.5	500	7		5-292230-7
		29.5	25.5	6.2	-	8.9	24	11.9	11.5	500	6		5-292230-6
		29.5	25.5	4.7	-	7.4	24	10.4	11.5	500	5		5-292230-5
		21.5	17.5	6.2	-	5.9	16	8.9	7.5	500	4		5-292230-4
		21.5	17.5	4.7	-	4.4	16	7.4	7.5	500	3		5-292230-3
		21.5	17.5	2.8	-	2.9	16	5.9	7.5	500	2		-
TAPE TYPE		W2	W1	F	E	D	C	B	A	QTY/ REEL	POS		COLOR
		DIMENSIONS											

TAPE TYPE	TYPE 2	W2	W1	F	E	D	C	B	A	QTY/ REEL	POS	COLOR	ON TAPE P/N
		DIMENSIONS											
		49.5	45.5	6.2	40.4	29.9	44	32.9	20.2±0.15	500	20	BEIGE	2-292230-0
		49.5	45.5	4.7	40.4	28.4	44	31.4	500	19	1-292230-9		
		49.5	45.5	6.2	40.4	26.9	44	29.9	500	18	1-292230-8		
		49.5	45.5	4.7	40.4	25.4	44	28.4	500	17	1-292230-7		
		49.5	45.5	6.2	40.4	23.9	44	26.9	500	16	1-292230-6		
		49.5	45.5	4.7	40.4	22.4	44	25.4	500	15	1-292230-5		
		49.5	45.5	6.2	40.4	20.9	44	23.9	500	14	1-292230-4		
		49.5	45.5	4.7	40.4	19.4	44	22.4	500	13	1-292230-3		
		37.5	33.5	6.2	28.4	17.9	32	20.9	14.2	500	12		1-292230-2
		37.5	33.5	4.7	28.4	16.4	32	19.4	14.2	500	11		1-292230-1
		37.5	33.5	6.2	28.4	14.9	32	17.9	14.2	500	10		1-292230-0
		37.5	33.5	4.7	28.4	13.4	32	16.4	14.2	500	9		292230-9
	TYPE 1	29.5	25.5	6.2	-	11.9	24	14.9	11.5	500	8		292230-8
		29.5	25.5	4.7	-	10.4	24	13.4	11.5	500	7		292230-7
		29.5	25.5	6.2	-	8.9	24	11.9	11.5	500	6		292230-6
		29.5	25.5	4.7	-	7.4	24	10.4	11.5	500	5		292230-5
		21.5	17.5	6.2	-	5.9	16	8.9	7.5	500	4		292230-4
		21.5	17.5	4.7	-	4.4	16	7.4	7.5	500	3		292230-3
		21.5	17.5	2.8	-	2.9	16	5.9	7.5	500	2		-
TAPE TYPE		W2	W1	F	E	D	C	B	A	QTY/ REEL	POS		COLOR
		DIMENSIONS											

DIMENSIONS: mm

TOLERANCES UNLESS OTHERWISE SPECIFIED:

0 PLC	±
1 PLC	±0.1
2 PLC	±0.01
3 PLC	±0.001
4 PLC	±0.0001
ANGLES	±

DWN

CHK

APVD

PRODUCT SPEC
SEE SHEET 1 OF 4

APPLICATION SPEC
SEE SHEET 1 OF 4

WEIGHT

CUSTOMER DRAWING

MATERIAL

FINISH

STE TE Connectivity

NAME AMP Mini Common Terminated (CT) Connector 1.5mm PITCH
SINGLE ROW POST HDR ASS'Y (V)
SMT TYPE WITH BOSS, EMBOSS TAPE PACKAGED

SIZE A4 CAGE CODE 00779 DRAWING NO G-292230 RESTRICTED TO -

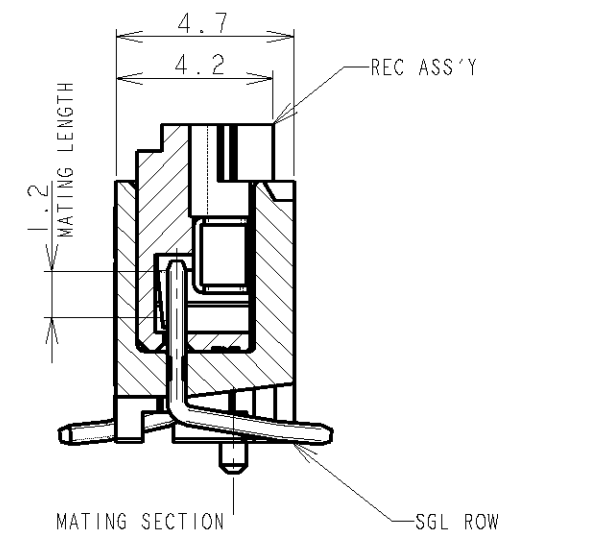
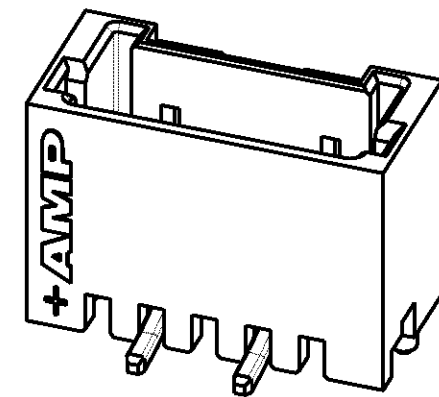
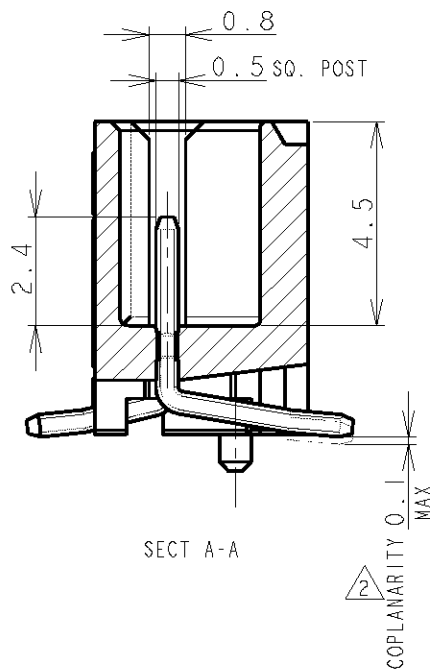
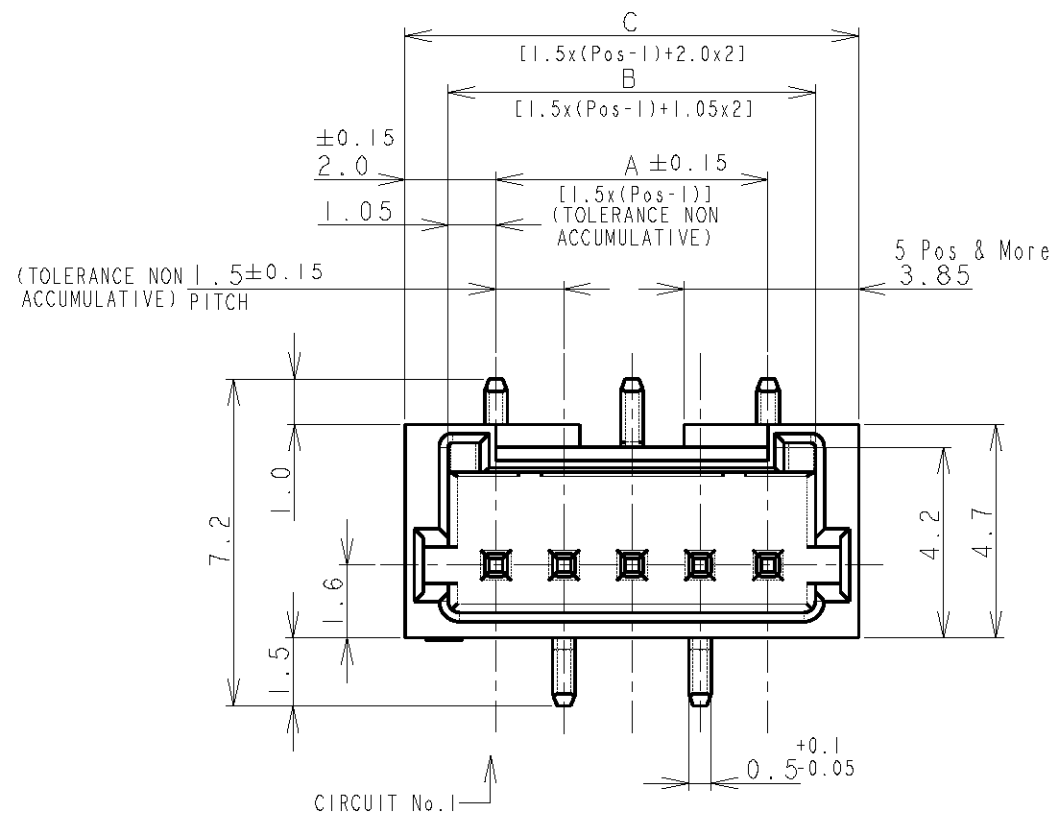
SCALE NON SHEET 2 OF 4 REV B1

THIS DRAWING IS UNPUBLISHED.

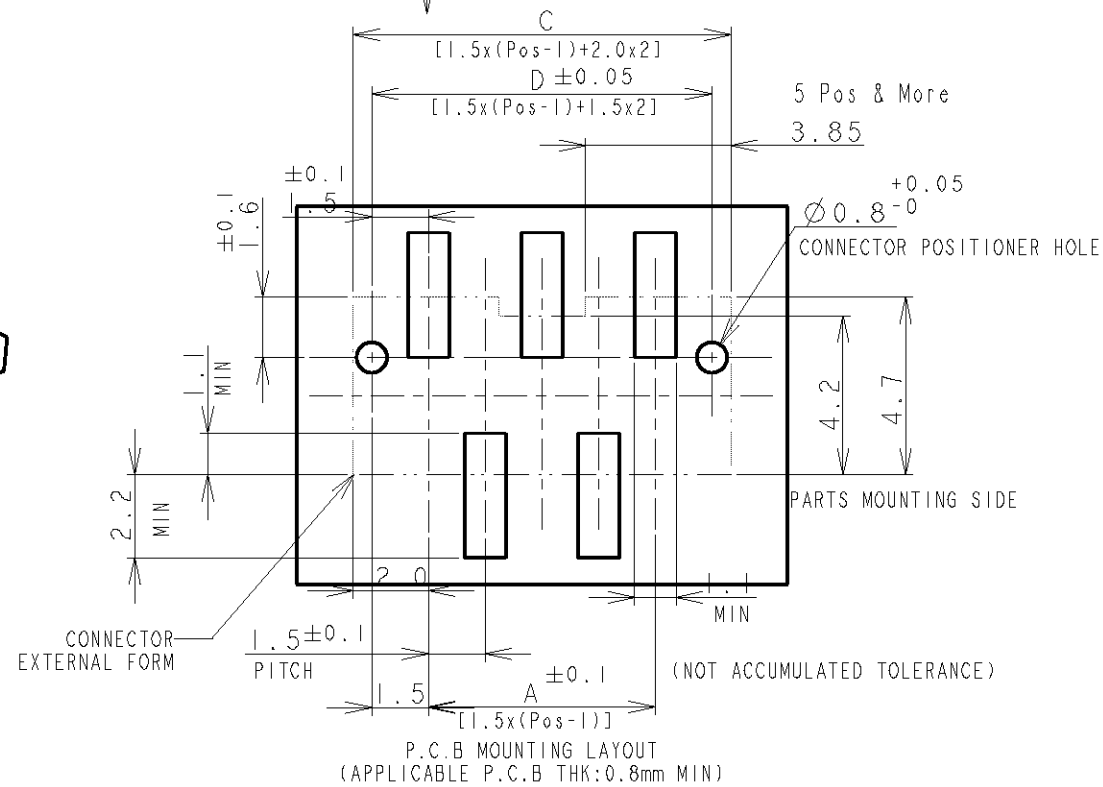
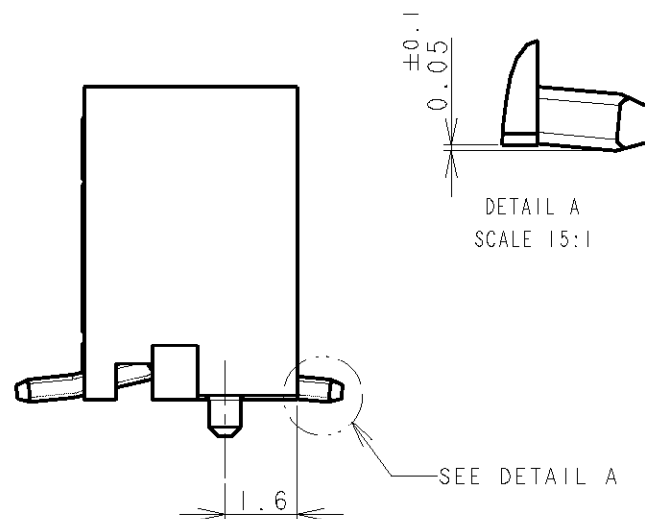
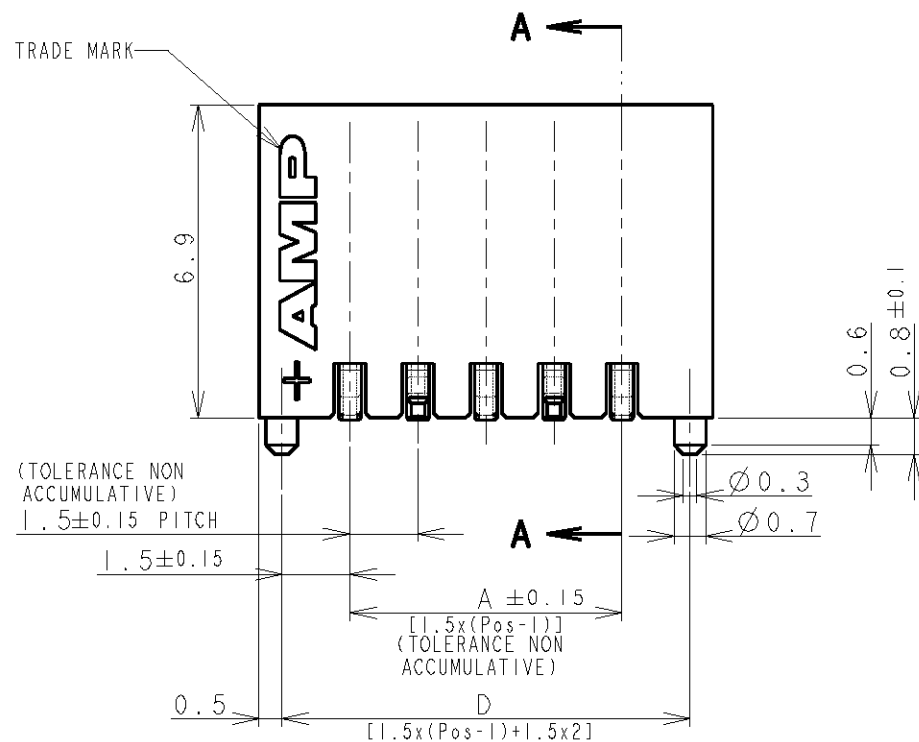
RELEASED FOR PUBLICATION

© COPYRIGHT BY ALL RIGHTS RESERVED.

LOC	DIST	REVISIONS			
P	LTR	DESCRIPTION	DATE	DWN	APVD
FB	00	SEE SHEET 1			



CIRCUIT No. 1



NOTES:
 1. MATERIAL:
 HOUSING: GLASS FILLED, HIGH HEAT RESISTANT NYLON, UL94V-0, COLOR: BEIGE OR BLACK
 POST: Sn-100% BRASS WIRE
 TO BE MEASURED WITH CONNECTOR PLACED ON HORIZONTAL DATUM SURFACE, FLOAT OF SOLDER TINE FROM DATUM SURFACE IS 0.1mm MAX.


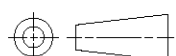
DWN		STE TE Connectivity	
CHK			
APVD		NAME	
PRODUCT SPEC		AMP MINI COMMON TERMINATION (CT) CONNECTOR 1.5 mm PITCH	
APPLICATION SPEC		SINGLE ROW POST HDR ASS'Y (V) SMT TYPE WITH BOSS	
WEIGHT		SIZE	RESTRICTED TO
MATERIAL		CAGE CODE	
FINISH		DRAWING NO	
SEE NOTE 1		A3 00779	
SEE NOTE 1		C-292230	
CUSTOMER DRAWING		SCALE	SHEET
		NON	3 OF 4
			REV B1

LOC	DIST	REVISIONS					
FB	00	P	LTR	DESCRIPTION	DATE	DWN	APVD
		-		SEE SHEET 1	-	-	-

0.98	31.5	32.5	30.6	28.5	20	7-292230-0	2-292230-0
0.93	30.0	31.0	29.1	27.0	19	6-292230-9	1-292230-9
0.89	28.5	29.5	27.6	25.5	18	6-292230-8	1-292230-8
0.84	27.0	28.0	26.1	24.0	17	6-292230-7	1-292230-7
0.80	25.5	26.5	24.6	22.5	16	6-292230-6	1-292230-6
0.75	24.0	25.0	23.1	21.0	15	6-292230-5	1-292230-5
0.71	22.5	23.5	21.6	19.5	14	6-292230-4	1-292230-4
0.66	21.0	22.0	20.1	18.0	13	6-292230-3	1-292230-3
0.62	19.5	20.5	18.6	16.5	12	6-292230-2	1-292230-2
0.57	18.0	19.0	17.1	15.0	11	6-292230-1	1-292230-1
0.52	16.5	17.5	15.6	13.5	10	6-292230-0	1-292230-0
0.48	15.0	16.0	14.1	12.0	9	5-292230-9	292230-9
0.43	13.5	14.5	12.6	10.5	8	5-292230-8	292230-8
0.39	12.0	13.0	11.1	9.0	7	5-292230-7	292230-7
0.34	10.5	11.5	9.6	7.5	6	5-292230-6	292230-6
0.30	9.0	10.0	8.1	6.0	5	5-292230-5	292230-5
0.25	7.5	8.5	6.6	4.5	4	5-292230-4	292230-4
0.20	6.0	7.0	5.1	3.0	3	5-292230-3	292230-3
0.17	4.5	5.5	3.6	1.5	2	-	-
WEIGHT (g)	D	C	B	A	Pos.	BLACK	BEIGE (NAT)
	DIMENSIONS					P/N	

THIS DRAWING IS UNPUBLISHED. ALL RIGHTS RESERVED.

COPYRIGHT BY

DIMENSIONS: mm	DWN	MATERIAL	FINISH
TOLERANCES UNLESS OTHERWISE SPECIFIED:	CHK	SEE SHEET 1	SEE SHEET 1
0 PLC ±	APVD	 TE Connectivity	
1 PLC ±	PRODUCT SPEC		
2 PLC ±	APPLICATION SPEC	NAME	
3 PLC ±	WEIGHT	AMP MINI COMMON TERMINATED (CT) CONNECTOR 1.5 mm PITCH	
4 PLC ±		SIZE	CAGE CODE
ANGLES ±		A4	00779
	CUSTOMER DRAWING	DRAWING NO	RESTRICTED TO
		C-292230	
		SCALE	SHEET 4 OF 4
		NON	REV B1