

THIS DRAWING IS UNPUBLISHED.

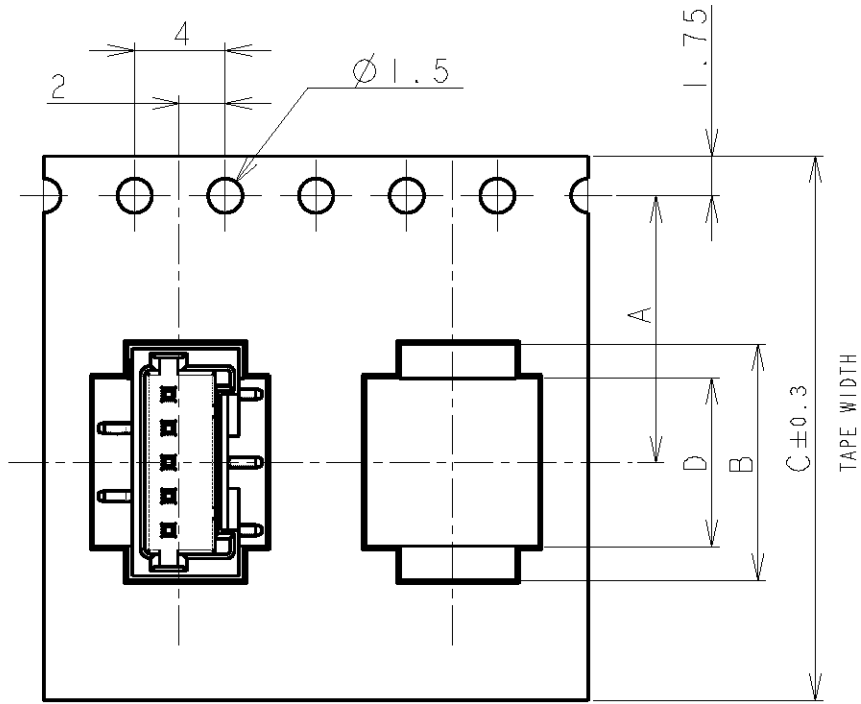
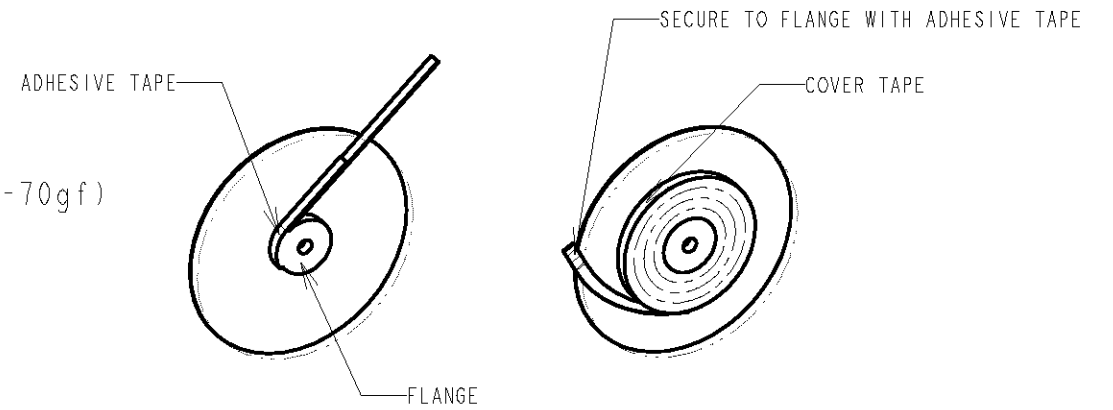
RELEASED FOR PUBLICATION

© COPYRIGHT BY ALL RIGHTS RESERVED.

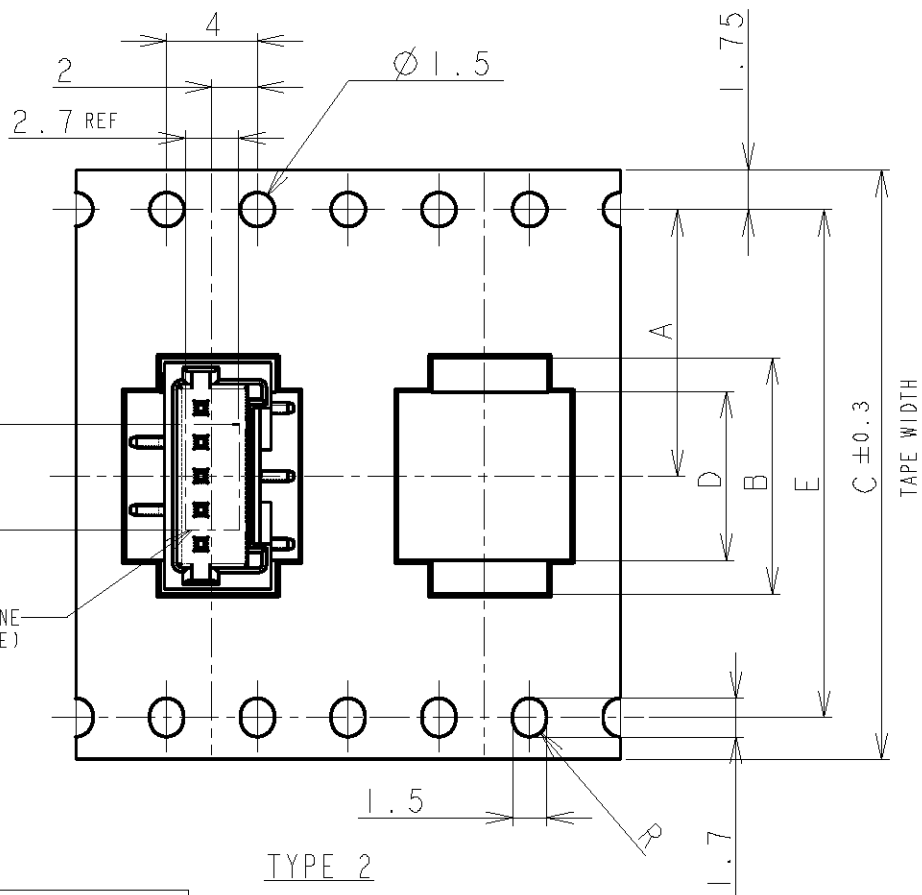
LOC	DIST	REVISIONS				
P	LTR	DESCRIPTION	DATE	DWN	APVD	
FB	00	B1	REVISED PER ECO-11-005033	2APR11	RK	HMR

25-05978

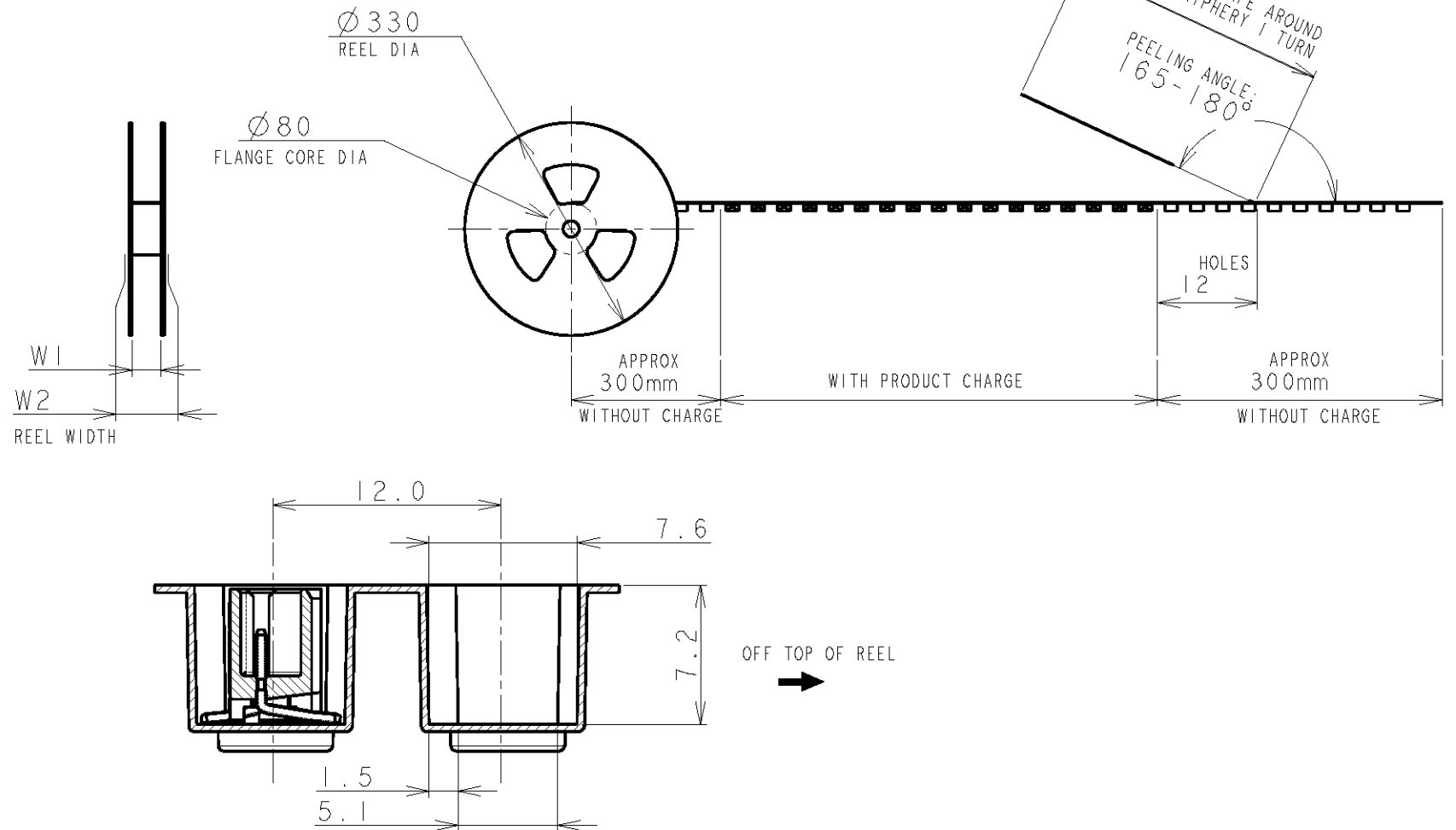
NOTE:
 1. PEELING STRENGTH: 0.20-0.69N (20-70gf)
 PEELING ANGLE: 165-180°
 PEELING SPEED: 300mm/MINUTE.



TYPE 1



TYPE 2



TOLERANCES UNLESS OTHERWISE SPECIFIED:

- 10 > : ±0.2
- 30 > * > 10 : ±0.25
- 100 > * > 30 : ±0.3
- ANGLE : ±3°

DWN S. XU 31JAN03		STE TE Connectivity	
CHK S. YAO 31JAN03			
APVD T. SASAKI 31JAN03		NAME AMP Mini Common Terminated (CT) Connector 1.5mm PITCH SINGLE ROW POST HDR ASS'Y (V) SMT TYPE WITH BOSS, EMBOSS TAPE PACKAGED	
PRODUCT SPEC 108-60018		SIZE A3	CAGE CODE 00779
APPLICATION SPEC 114-5223		DRAWING NO C-292230	RESTRICTED TO -
MATERIAL -		SCALE NON	
FINISH -		SHEET 1 OF 4	
CUSTOMER DRAWING		REV B1	

RELEASED FOR PUBLICATION

THIS DRAWING IS UNPUBLISHED.


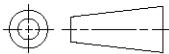
ALL RIGHTS RESERVED.

© COPYRIGHT BY

LOC	DIST	REVISIONS						
FB	00	P	LTR	DESCRIPTION	DATE	DWN	APVD	
				SEE SHEET 1				

TAPE TYPE	TYPE 2	W2	W1	F	E	D	C	B	A	QTY/REEL	POS	COLOR	ON TAPE P/N
		DIMENSIONS											
		49.5	45.5	6.2	40.4	29.9	44	32.9	20.2±0.15	500	20	BLACK	7-292230-0
		49.5	45.5	4.7	40.4	28.4	44	31.4	500	19	6-292230-9		
		49.5	45.5	6.2	40.4	26.9	44	29.9	500	18	6-292230-8		
		49.5	45.5	4.7	40.4	25.4	44	28.4	500	17	6-292230-7		
		49.5	45.5	6.2	40.4	23.9	44	26.9	500	16	6-292230-6		
		49.5	45.5	4.7	40.4	22.4	44	25.4	500	15	6-292230-5		
		49.5	45.5	6.2	40.4	20.9	44	23.9	500	14	6-292230-4		
		49.5	45.5	4.7	40.4	19.4	44	22.4	500	13	6-292230-3		
		37.5	33.5	6.2	28.4	17.9	32	20.9	14.2	500	12		6-292230-2
		37.5	33.5	4.7	28.4	16.4	32	19.4	14.2	500	11		6-292230-1
		37.5	33.5	6.2	28.4	14.9	32	17.9	14.2	500	10		6-292230-0
		37.5	33.5	4.7	28.4	13.4	32	16.4	14.2	500	9		5-292230-9
	TYPE 1	29.5	25.5	6.2	-	11.9	24	14.9	11.5	500	8		5-292230-8
		29.5	25.5	4.7	-	10.4	24	13.4	11.5	500	7		5-292230-7
		29.5	25.5	6.2	-	8.9	24	11.9	11.5	500	6		5-292230-6
		29.5	25.5	4.7	-	7.4	24	10.4	11.5	500	5		5-292230-5
		21.5	17.5	6.2	-	5.9	16	8.9	7.5	500	4		5-292230-4
		21.5	17.5	4.7	-	4.4	16	7.4	7.5	500	3		5-292230-3
		21.5	17.5	2.8	-	2.9	16	5.9	7.5	500	2		-

TAPE TYPE	TYPE 2	W2	W1	F	E	D	C	B	A	QTY/REEL	POS	COLOR	ON TAPE P/N
		DIMENSIONS											
		49.5	45.5	6.2	40.4	29.9	44	32.9	20.2±0.15	500	20	BEIGE	2-292230-0
		49.5	45.5	4.7	40.4	28.4	44	31.4	500	19	1-292230-9		
		49.5	45.5	6.2	40.4	26.9	44	29.9	500	18	1-292230-8		
		49.5	45.5	4.7	40.4	25.4	44	28.4	500	17	1-292230-7		
		49.5	45.5	6.2	40.4	23.9	44	26.9	500	16	1-292230-6		
		49.5	45.5	4.7	40.4	22.4	44	25.4	500	15	1-292230-5		
		49.5	45.5	6.2	40.4	20.9	44	23.9	500	14	1-292230-4		
		49.5	45.5	4.7	40.4	19.4	44	22.4	500	13	1-292230-3		
		37.5	33.5	6.2	28.4	17.9	32	20.9	14.2	500	12		1-292230-2
		37.5	33.5	4.7	28.4	16.4	32	19.4	14.2	500	11		1-292230-1
		37.5	33.5	6.2	28.4	14.9	32	17.9	14.2	500	10		1-292230-0
		37.5	33.5	4.7	28.4	13.4	32	16.4	14.2	500	9		292230-9
	TYPE 1	29.5	25.5	6.2	-	11.9	24	14.9	11.5	500	8		292230-8
		29.5	25.5	4.7	-	10.4	24	13.4	11.5	500	7		292230-7
		29.5	25.5	6.2	-	8.9	24	11.9	11.5	500	6		292230-6
		29.5	25.5	4.7	-	7.4	24	10.4	11.5	500	5		292230-5
		21.5	17.5	6.2	-	5.9	16	8.9	7.5	500	4		292230-4
		21.5	17.5	4.7	-	4.4	16	7.4	7.5	500	3		292230-3
		21.5	17.5	2.8	-	2.9	16	5.9	7.5	500	2		-

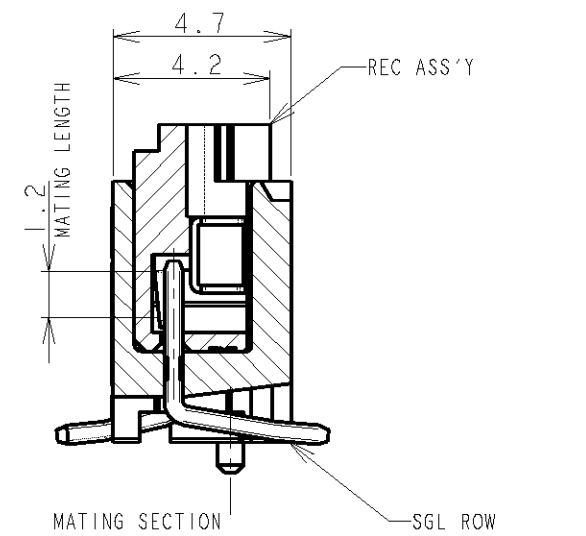
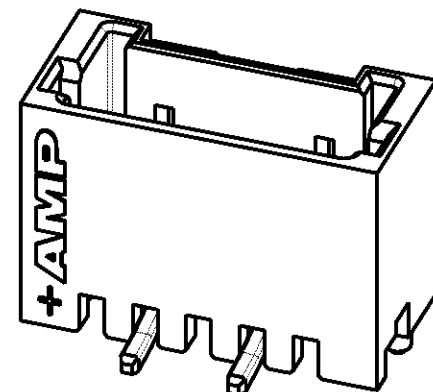
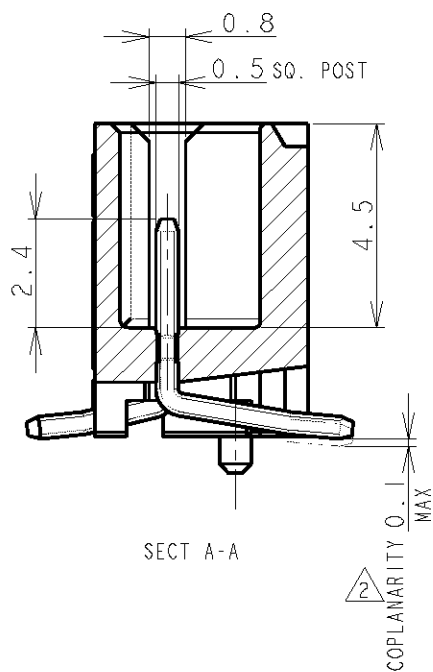
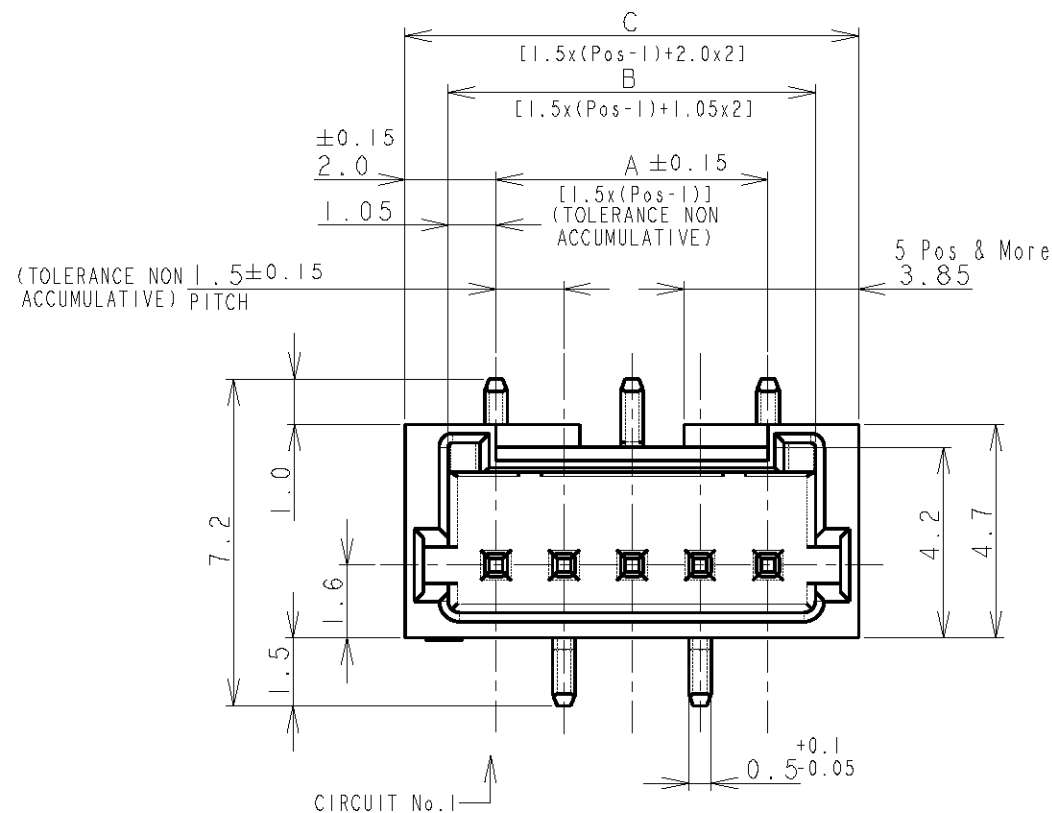
DIMENSIONS: mm	DWN	MATERIAL	FINISH
TOLERANCES UNLESS OTHERWISE SPECIFIED:	CHK	 TE Connectivity	
0 PLC ±-	APVD		
1 PLC ±0.1	PRODUCT SPEC	NAME AMP Mini Common Terminated (CT) Connector 1.5mm PITCH	
2 PLC ±0.01	SEE SHEET 1 OF 4	SINGLE ROW POST HDR ASS'Y (V)	
3 PLC ±0.001	APPLICATION SPEC	SMT TYPE WITH BOSS, EMBOSS TAPE PACKAGED	
4 PLC ±0.0001	SEE SHEET 1 OF 4	SIZE	RESTRICTED TO
ANGLES ±-	WEIGHT	CAGE CODE	
		DRAWING NO	
CUSTOMER DRAWING		A4 00779	G-292230
		SCALE	SHEET 2 OF 4
		NON	REV B1

THIS DRAWING IS UNPUBLISHED.

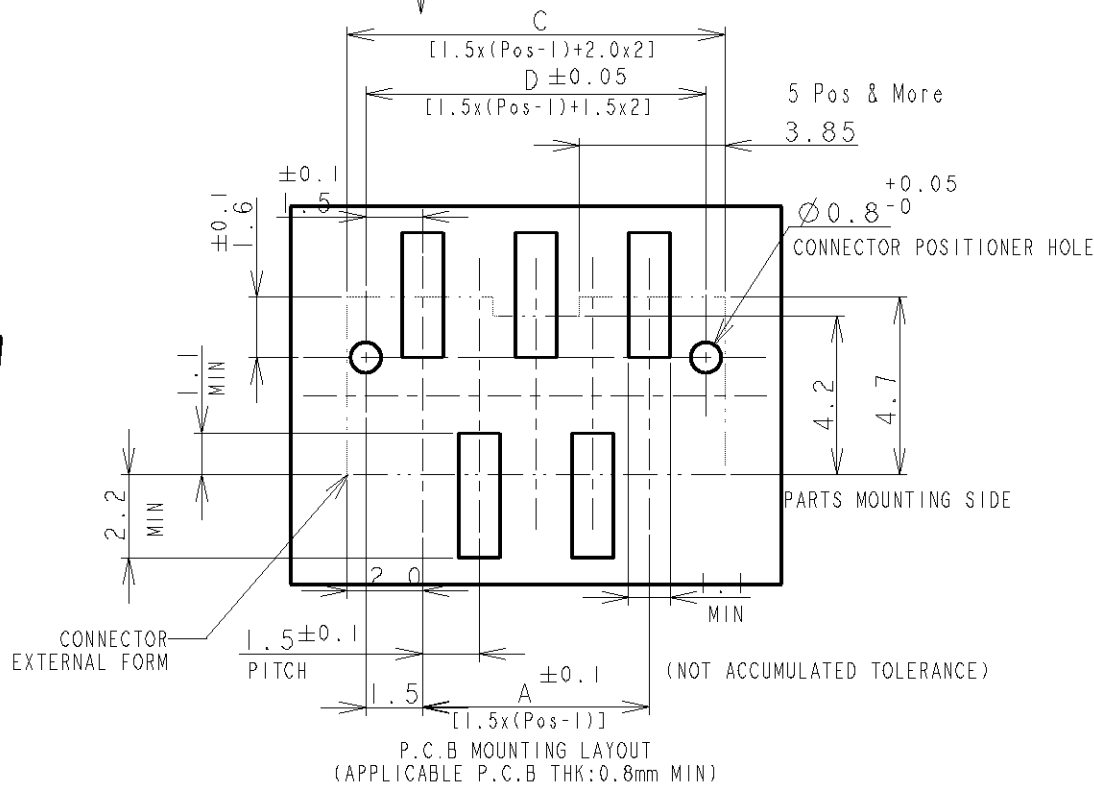
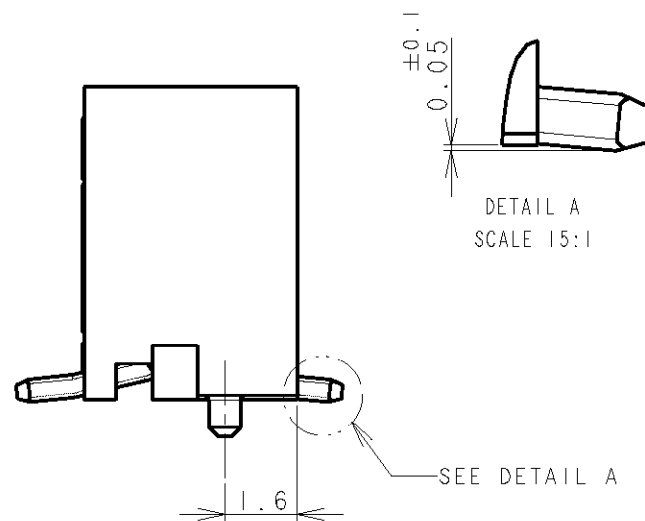
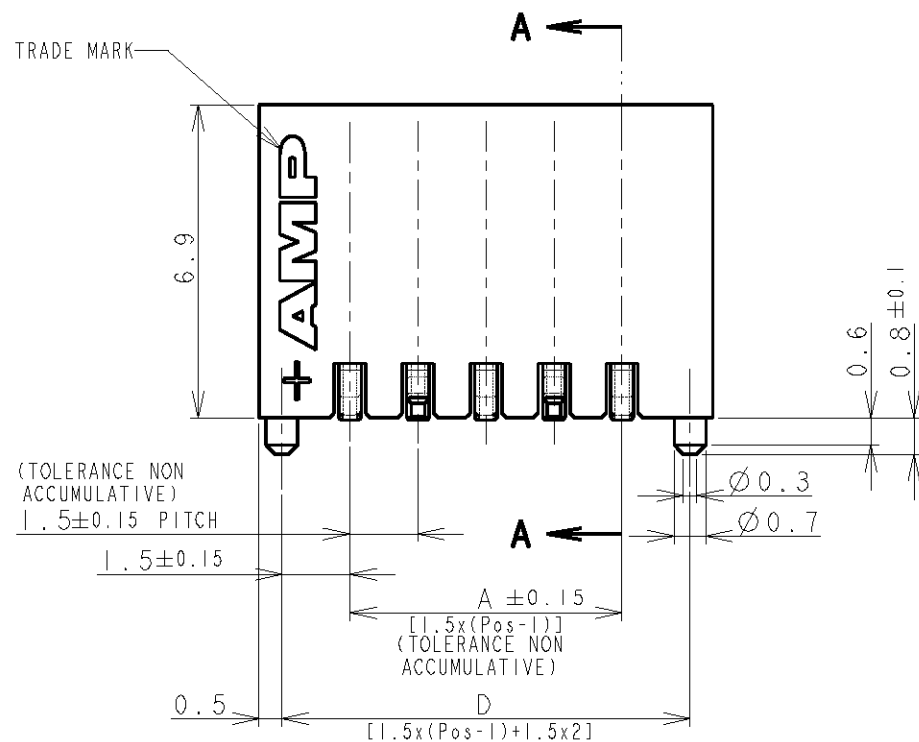
RELEASED FOR PUBLICATION

© COPYRIGHT BY ALL RIGHTS RESERVED.

LOC	DIST	REVISIONS			
P	LTR	DESCRIPTION	DATE	DWN	APVD
FB	00	SEE SHEET 1			



CIRCUIT No. 1



NOTES:
 1. MATERIAL:
 HOUSING: GLASS FILLED, HIGH HEAT RESISTANT NYLON, UL94V-0, COLOR: BEIGE OR BLACK
 POST: Sn-100% BRASS WIRE
 TO BE MEASURED WITH CONNECTOR PLACED ON HORIZONTAL DATUM SURFACE, FLOAT OF SOLDER TINE FROM DATUM SURFACE IS 0.1mm MAX.


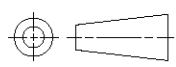
DWN		TE Connectivity	
CHK			
APVD		NAME	
PRODUCT SPEC		AMP MINI COMMON TERMINATION (CT) CONNECTOR 1.5 mm PITCH SINGLE ROW POST HDR ASS'Y (V) SMT TYPE WITH BOSS	
APPLICATION SPEC		RESTRICTED TO	
WEIGHT		SIZE	CAGE CODE
MATERIAL		DRAWING NO	
SEE NOTE 1		A3 00779 C-292230	
FINISH		SCALE	
SEE NOTE 1		NON	
CUSTOMER DRAWING		SHEET 3 OF 4	
		REV B1	

LOC	DIST	REVISIONS					
FB	00	P	LTR	DESCRIPTION	DATE	DWN	APVD
		-		SEE SHEET 1	-	-	-

0.98	31.5	32.5	30.6	28.5	20	7-292230-0	2-292230-0
0.93	30.0	31.0	29.1	27.0	19	6-292230-9	1-292230-9
0.89	28.5	29.5	27.6	25.5	18	6-292230-8	1-292230-8
0.84	27.0	28.0	26.1	24.0	17	6-292230-7	1-292230-7
0.80	25.5	26.5	24.6	22.5	16	6-292230-6	1-292230-6
0.75	24.0	25.0	23.1	21.0	15	6-292230-5	1-292230-5
0.71	22.5	23.5	21.6	19.5	14	6-292230-4	1-292230-4
0.66	21.0	22.0	20.1	18.0	13	6-292230-3	1-292230-3
0.62	19.5	20.5	18.6	16.5	12	6-292230-2	1-292230-2
0.57	18.0	19.0	17.1	15.0	11	6-292230-1	1-292230-1
0.52	16.5	17.5	15.6	13.5	10	6-292230-0	1-292230-0
0.48	15.0	16.0	14.1	12.0	9	5-292230-9	292230-9
0.43	13.5	14.5	12.6	10.5	8	5-292230-8	292230-8
0.39	12.0	13.0	11.1	9.0	7	5-292230-7	292230-7
0.34	10.5	11.5	9.6	7.5	6	5-292230-6	292230-6
0.30	9.0	10.0	8.1	6.0	5	5-292230-5	292230-5
0.25	7.5	8.5	6.6	4.5	4	5-292230-4	292230-4
0.20	6.0	7.0	5.1	3.0	3	5-292230-3	292230-3
0.17	4.5	5.5	3.6	1.5	2	-	-
WEIGHT (g)	D	C	B	A	Pos.	BLACK	BEIGE (NAT)
	DIMENSIONS					P/N	

THIS DRAWING IS UNPUBLISHED. ALL RIGHTS RESERVED.

COPYRIGHT BY

DIMENSIONS: mm		DWN	MATERIAL	FINISH	
TOLERANCES UNLESS OTHERWISE SPECIFIED:		CHK	SEE SHEET 1		SEE SHEET 1
0 PLC ±	APVD	PRODUCT SPEC	 TE Connectivity		
1 PLC ±		APPLICATION SPEC			
2 PLC ±		NAME	AMP MINI COMMON TERMINATED (CT) CONNECTOR 1.5 mm PITCH		
3 PLC ±		NAME	SINGLE ROW POST HDR ASS'Y (V) SMT TYPE WITH BOSS		
4 PLC ±	WEIGHT	SIZE	CAGE CODE	DRAWING NO	RESTRICTED TO
ANGLES ±		A4	00779	C-292230	
		CUSTOMER DRAWING		SCALE	SHEET 4 OF 4
				NON	REV B1