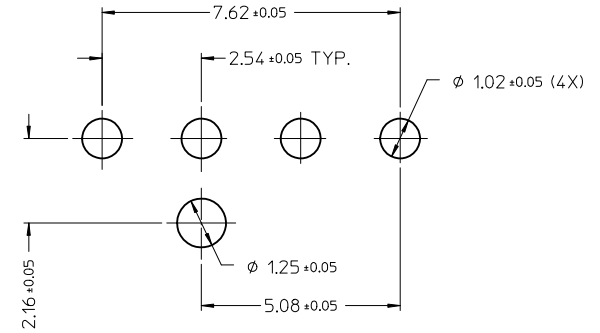
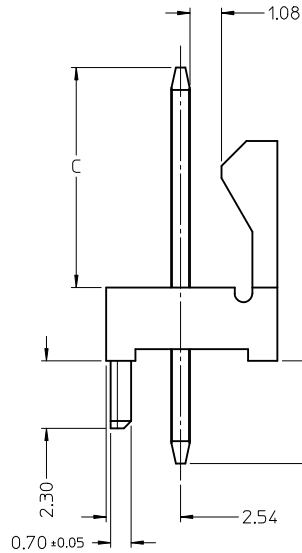
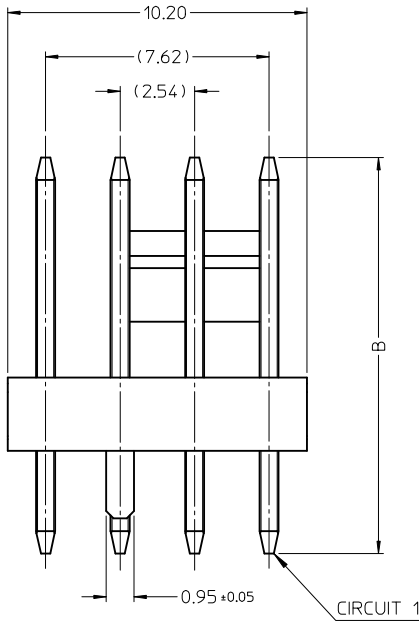
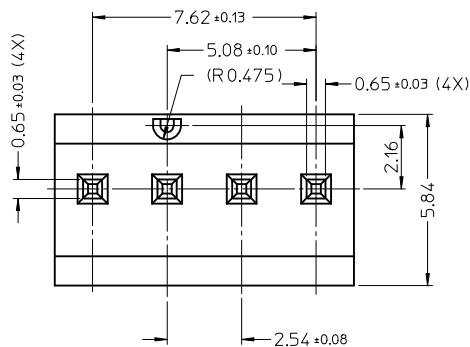
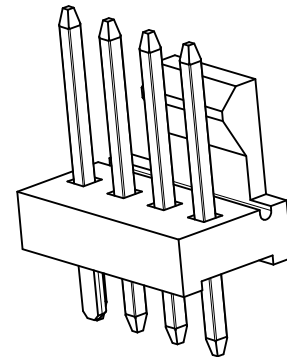


25-05973



RECOMMENDER PCB LAYOUT

P/N	DIM	A	B	C
47053-1000		3.50	13.50	7.50
47053-3000		4.00	13.84	7.34



NOTES:

1. MATERIAL: HOUSING: NYLON, UL94V-0. COLOR: IVORY. PIN: COPPER ALLOY.
2. PLATING: 0.00254 MIN. MATTE TIN OVER 0.00127 MIN. NICKEL
3. PIN PUSH OUT FORCE: 0.91Kgf.
4. PARTS CONFORM TO PRODUCT SPEC PS-47053-001.
5. SOLDERABILITY: PER SMES-152
6. THIS PART CONFORMS TO CLASS B REQUIREMENTS OF COSMETIC SPECIFICATION PS-45499-002

PLATING, ADD DIM C EC NO: UCP2012-1821 DRN:MMSTROH 2011/12/22 CHKD:HKIPPER 2012/01/03 APPR:FSMITH 2012/02/02	QUALITY SYMBOLS	GENERAL TOLERANCES (UNLESS SPECIFIED)	DIMENSION STYLE	SCALE	DESIGN UNITS	THIRD ANGLE PROJECTION
	F7=0 F8=0 F9=0	mm INCH	MM ONLY	1:1	METRIC	THIS DRAWING CONTAINS INFORMATION THAT IS PROPRIETARY TO MOLEX INCORPORATED AND SHOULD NOT BE USED WITHOUT WRITTEN PERMISSION
		4 PLACES ± --- ± ---	DRAWN BY DATE	TITLE		
		3 PLACES ± --- ± ---	RZHANG 2003/10/31	4 PIN HEADER HOUSING WITH FRICTION LOCK		
2 PLACES ± 0.2 ± ---	CHECKED BY DATE	MOLEX INCORPORATED				
1 PLACE ± 0.25 ± ---	HJYIN 2003/10/31	DOCUMENT NO.				
ANGULAR ± 3°	APPROVED BY DATE	SD-47053-001				
	SHUANG 2003/10/31	SHEET NO.				
	MATERIAL NO.	1 OF 1				
	DRAFT WHERE APPLICABLE MUST REMAIN WITHIN DIMENSIONS	SEE TABLE				