

THIS DRAWING IS UNPUBLISHED.

RELEASED FOR PUBLICATION JUNE ,2004.

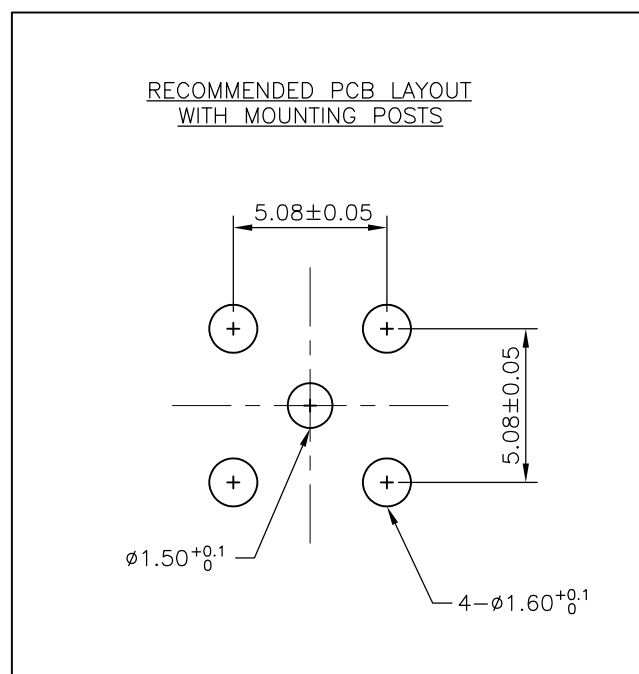
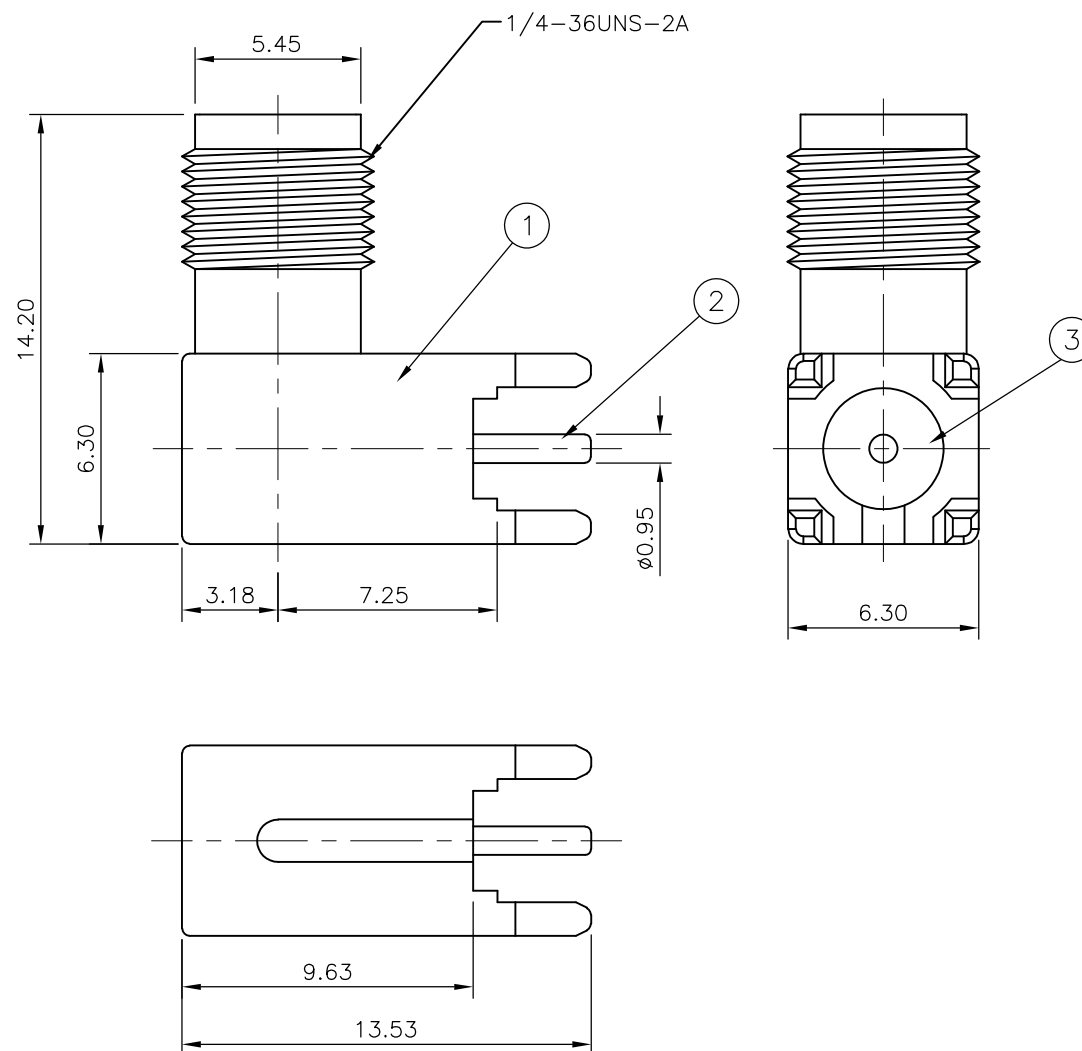
© COPYRIGHT 2004 By -

ALL RIGHTS RESERVED.

LOC E	DIST B	REVISIONS		
P	LTR	DESCRIPTION	DATE	DWN RK
	C1	REVISED PER ECO-11-005033	31MAR11	APVD HMR

NOTES

- 1 SINGLE PACK IN ACCORDANCE WITH AMP SPEC 107-3275
- 2 100 TRAY PACK IN ACCORDANCE WITH AMP SPEC 107-3275
- 3 Au PLATING
- 4. FOR TECHNICAL DATA REFER TO YOUR LOCAL TE CONNECTIVITY SALES OFFICE
- 5. ALL DIMENSIONS ARE NOMINAL FOR REFERENCE ONLY UNLESS OTHERWISE STATED



25-05877

					1	1	PTFE	INSULATOR	3
					1	1	BERYLLIUM COPPER	CONTACT	2
					1	1	ZINC ALLOY	BODY	1
					5	15	MATERIAL	DESCRIPTION	ITEM
					QUANTITY PER ASSY		PARTS LIST		

THIS DRAWING IS A CONTROLLED DOCUMENT.		DWN ANSON MA 17MAR09	STE TE Connectivity		
DIMENSIONS: mm		CHK RITA ZUO 17MAR09			
TOLERANCES UNLESS OTHERWISE SPECIFIED:		APVD BOB ZHAO 17MAR09	NAME SMA RIGHT ANGLE PCB SOCKET DIE CAST		
0 PLC ± 0.5		PRODUCT SPEC 108-112000	SIZE A3		
1 PLC ± 0.3		APPLICATION SPEC	CAGE CODE 00779	DRAWING NO C-1814400	RESTRICTED TO
2 PLC ± 0.2			SCALE NTS		
3 PLC ± -			SHEET 1 OF 1		
4 PLC ± -			REV C1		
ANGLES ± -					
FINISH		WEIGHT -			
MATERIAL SEE TABLE		CUSTOMER DRAWING			