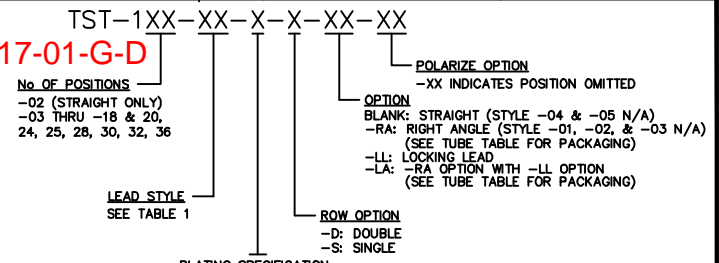


- NOTES:
- TERMINAL PUSHOUT FORCE: 3 lbs.
 - ASSEMBLE GOLD PLATED END AS SHOWN.
 - Ⓢ REPRESENTS CRITICAL DIMENSION.
 - TERMINALS TO BE FLUSH TO .010 [25] BELOW TOP OF SHROUD.
 - TST-1XX-04-X-D-RA-XX ASSEMBLIES ARE TO BE PACKAGED IN A PT-1-24-01-40, TUBE WITH TWO TP-13 PLUGS PER TUBE (ALL POSITIONS).
 - SAMTEC LOGO MAY VARY IN LOCATION.

TST-117-01-G-D



- PLATING SPECIFICATION
- G: GOLD, 10 Au / 50 NI MIN ON CONTACT, 3 AU / 50 NI MIN ON TAIL
 - T: MATTE TIN CONTACT AND TAIL
 - S: SELECTIVE, 30 Au / 50 NI MIN ON CONTACT, MATTE TIN TAIL
 - L: LIGHT SELECTIVE, 10 Au / 50 NI MIN ON CONTACT, MATTE TIN TAIL
 - H: HEAVY GOLD, 30 AU / 50 NI MIN ON CONTACT, 3 AU / 50 NI MIN ON TAIL
 - F: FLASH SELECTIVE, 3 AU / 50 NI MIN ON CONTACT, MATTE TIN TAIL

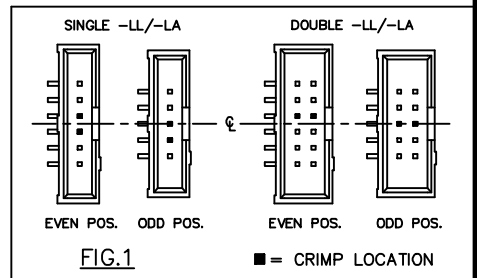
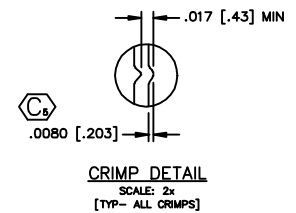
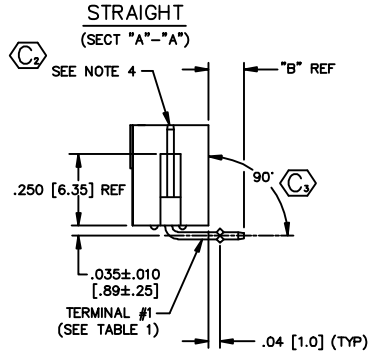
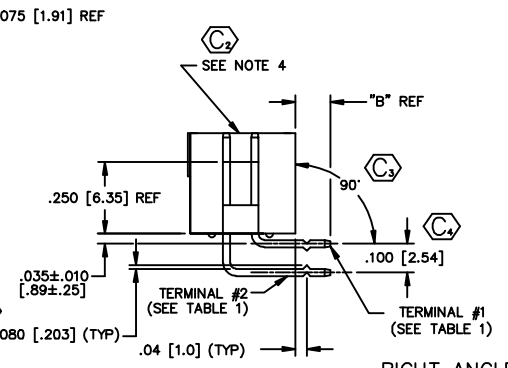
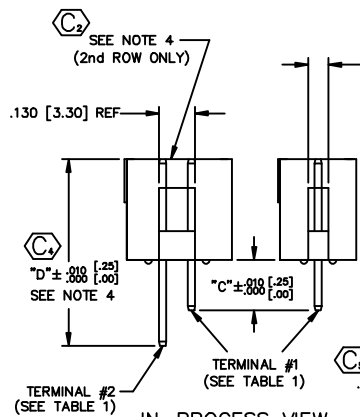
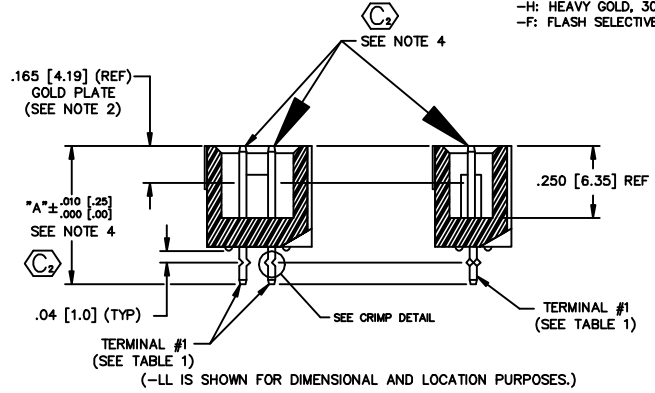
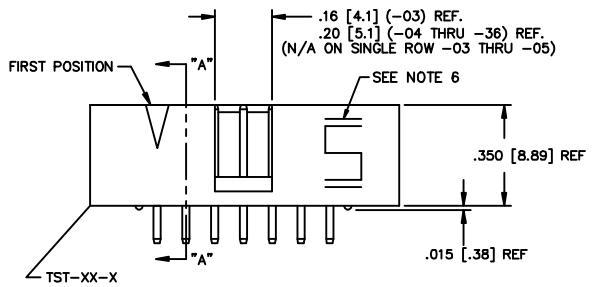


TABLE 1

LEAD STYLE	"A"	"B"	"C"	"C"	"D"	TERMINAL #1	TERMINAL #2
-01	.480 [12.19]	-----	NO RA REPRESS	WITH RA REPRESS	-----	T-1S8-17-X-2	-----
-02	.530 [13.46]	-----	-----	-----	-----	T-1S8-08-X-2	-----
-03	.930 [23.62]	-----	-----	-----	-----	T-1S8-11-X-2	-----
-04	-----	.130 [3.30]	.280 [7.11]	.350 [8.89]	.830 [21.08]	T-1S8-15-X-2	T-1S8-10-X-2
-05	-----	.230 [5.84]	.360 [9.65]	.450 [11.43]	.930 [23.62]	T-1S8-09-X-2	T-1S8-11-X-2

MATERIAL:
 LCP, UL 94 V0 VALOX SEO OR 553,
 OR CELANEX 3316
 COLOR: BLACK

TERMINAL:
 PHOSPHOR BRONZE, ALLOY No
 510, GRADE A, FEDERAL SPEC.
 QQ-B-750, 3/4 HARD, 95 - 105
 KPSI TENSILE.
 MATERIAL THICKNESS: .0250±.0003
 [.635±.0076]

MISC\MKTG TST-MKT

samtec

520 PARK EAST BLVD. NEW ALBANY, INDIANA 47150
 PHONE (812) 944-6733 P.O. BOX 1147
 CODE 55322

MADE BY: JORDAN 2-18-87

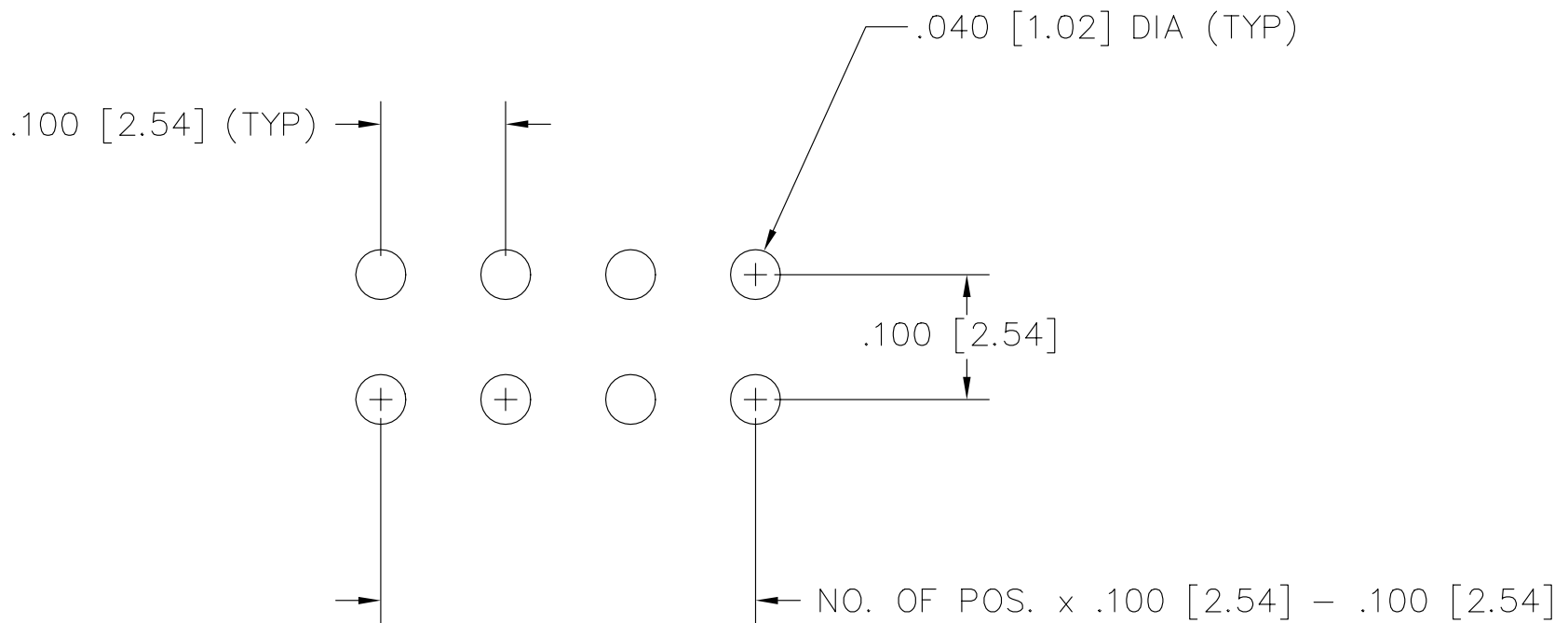
TST-1XX-XX-X-X-XX-XX
 SHEET 1 OF 1

PROPRIETARY NOTE
 THIS DOCUMENT CONTAINS INFORMATION CONFIDENTIAL AND PROPRIETARY TO SAMTEC INC. AND SHALL NOT BE REPRODUCED OR TRANSMITTED IN ANY FORM OR BY ANY MEANS, ELECTRONIC OR MECHANICAL, INCLUDING PHOTOCOPYING, RECORDING, OR BY ANY INFORMATION STORAGE AND RETRIEVAL SYSTEM, WITHOUT THE WRITTEN CONSENT OF SAMTEC INC.

Do not scale from this print.

25-05854

RECOMMENDED P.C. BOARD LAYOUT FOR TSS\TST (DOUBLE)



1-23-96

MISC\MKTG\FOOTPRNT
TSS-TSTD

samtec

810 PROGRESS BLVD. NEW ALBANY, INDIANA 47150
PHONE (812) 944-6733 P.O. BOX 1147

PLOT SCALE: 1 = .1